



US00D575374S

(12) **United States Design Patent**
Huang

(10) **Patent No.:** **US D575,374 S**
(45) **Date of Patent:** **** Aug. 19, 2008**

(54) **SPRAY GUN BODY**

D551,321 S * 9/2007 Huang D23/226
D552,213 S * 10/2007 Schmon et al. D23/226
D552,715 S * 10/2007 Schmon et al. D23/226

(75) Inventor: **Tiao-Hsiang Huang**, Taipei Hsien (TW)

(73) Assignee: **Kuan Chang Co., Ltd**, Taipei County (TW)

* cited by examiner

Primary Examiner—Robin V Webster
(74) *Attorney, Agent, or Firm*—WPAT, P.C.

(**) Term: **14 Years**

(21) Appl. No.: **29/298,373**

(57) **CLAIM**

(22) Filed: **Dec. 4, 2007**

I claim, the ornamental design for a spray gun body, as shown and described.

(51) **LOC (8) Cl.** **23-01**

(52) **U.S. Cl.** **D23/226**

(58) **Field of Classification Search** D23/213,
D23/223, 226; 361/227–228; 239/525–526,
239/291, 296, 340, 600, 690, 302
See application file for complete search history.

DESCRIPTION

FIG. 1 is a perspective view of a spray gun body showing my present design;

FIG. 2 is a front view thereof;

FIG. 3 is a rear view thereof;

FIG. 4 is a left view thereof;

FIG. 5 is a right view thereof;

FIG. 6 is a top plan view thereof; and,

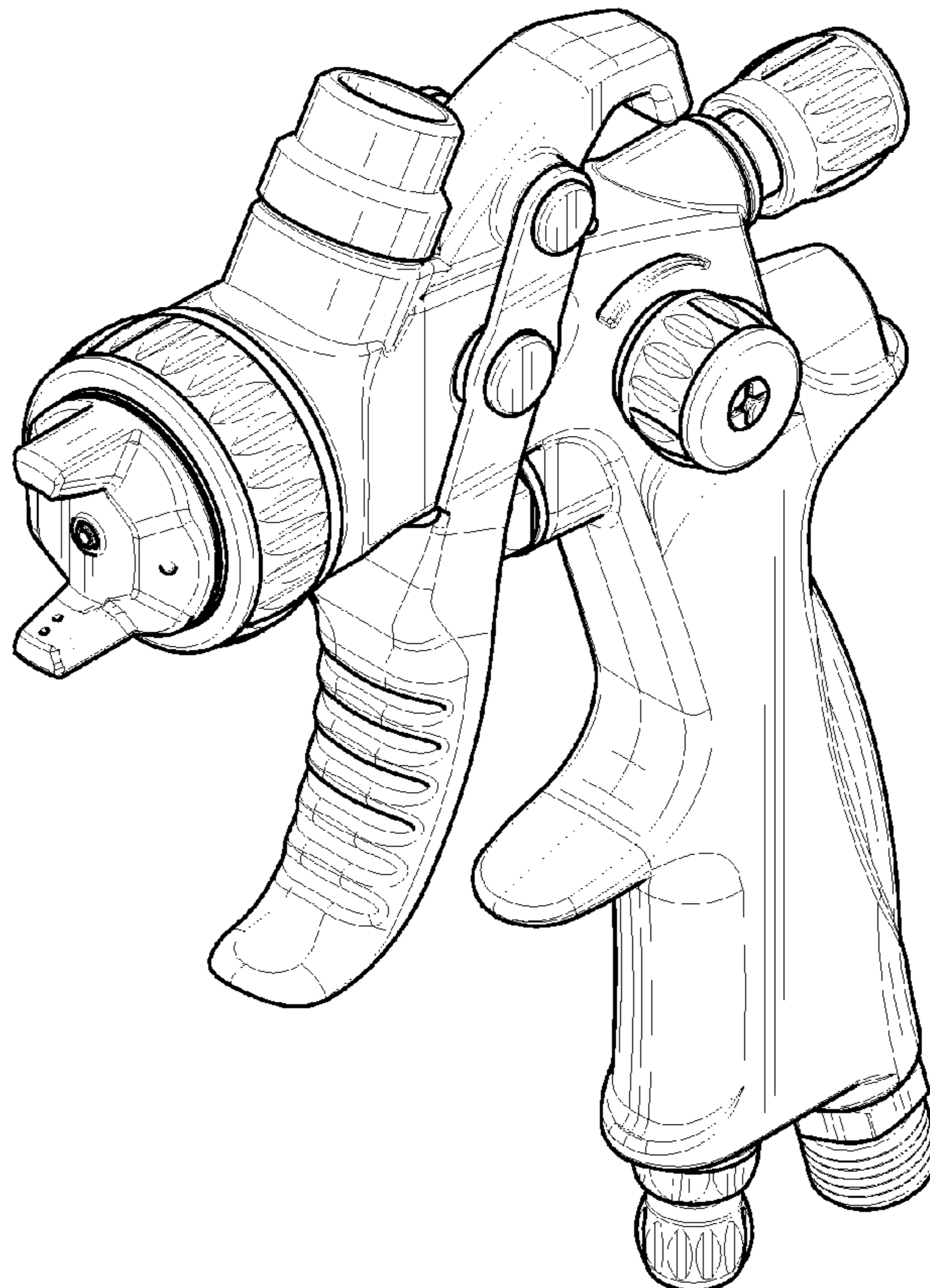
FIG. 7 is a bottom plan view.

(56) **References Cited**

U.S. PATENT DOCUMENTS

4,462,061 A * 7/1984 Mommsen 361/227
D405,503 S * 2/1999 Endo D23/226
D448,451 S * 9/2001 Turnbull et al. D23/226
D523,111 S * 6/2006 Huang D23/226
D538,887 S * 3/2007 Huang D23/226

1 Claim, 5 Drawing Sheets



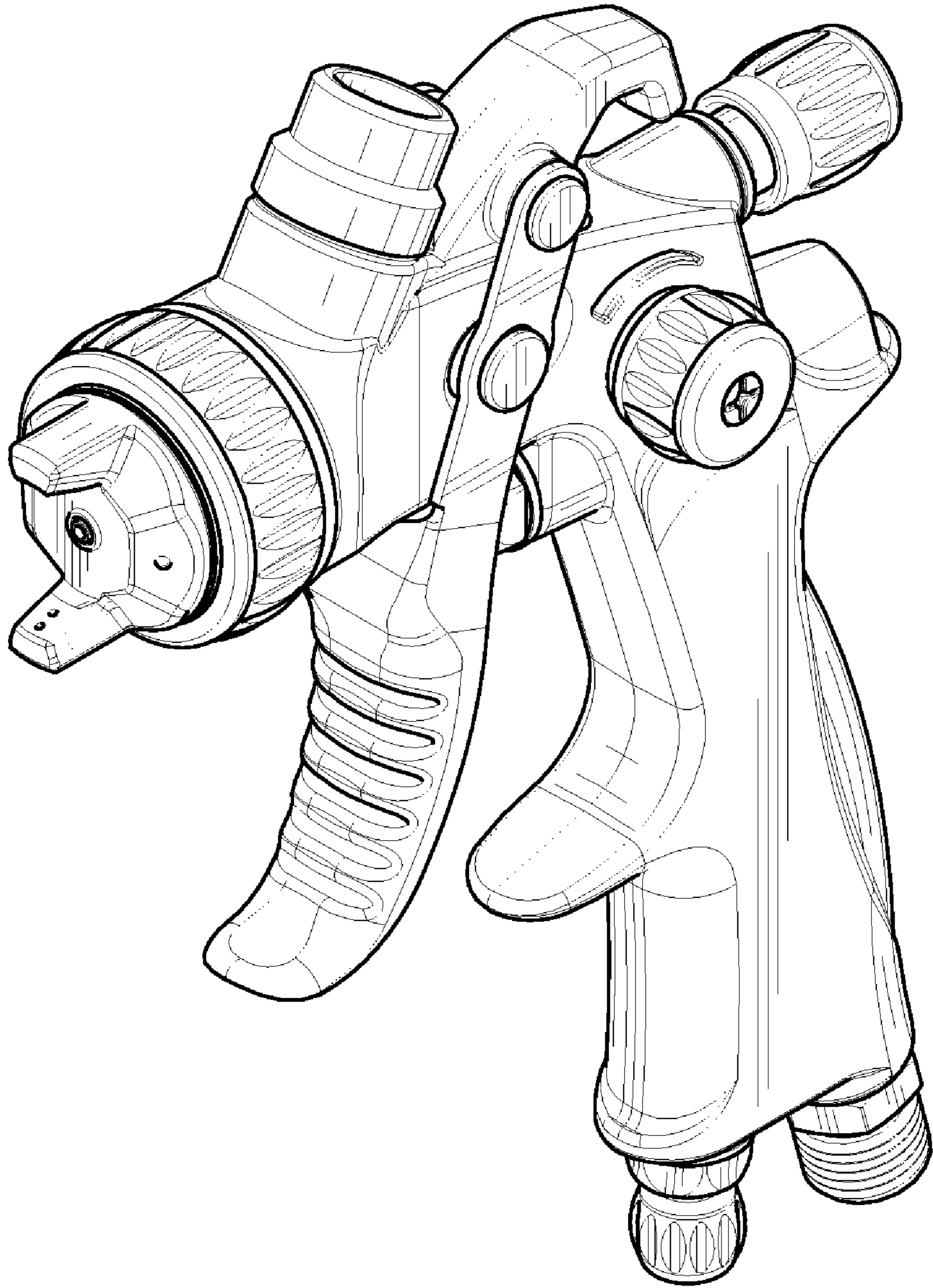


FIG. 1

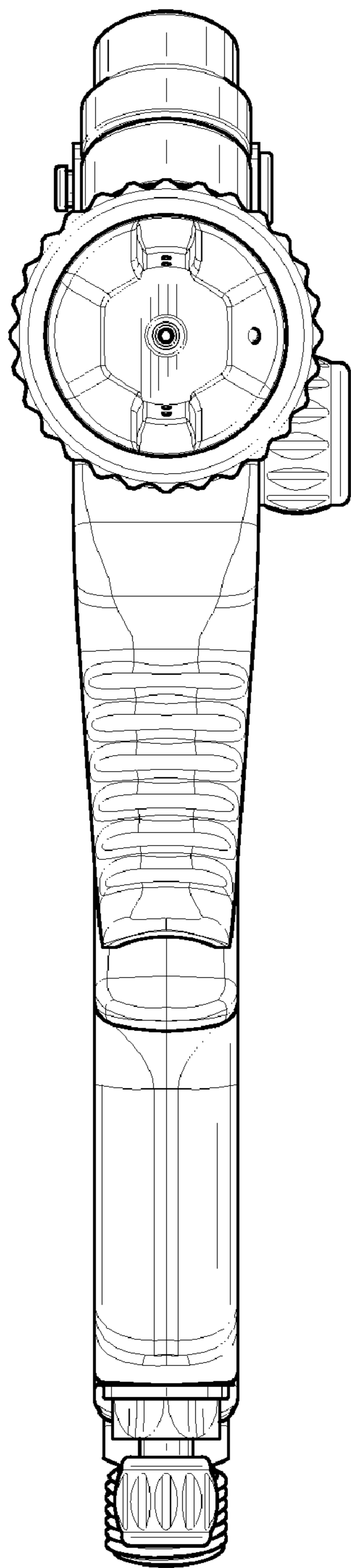


FIG. 2

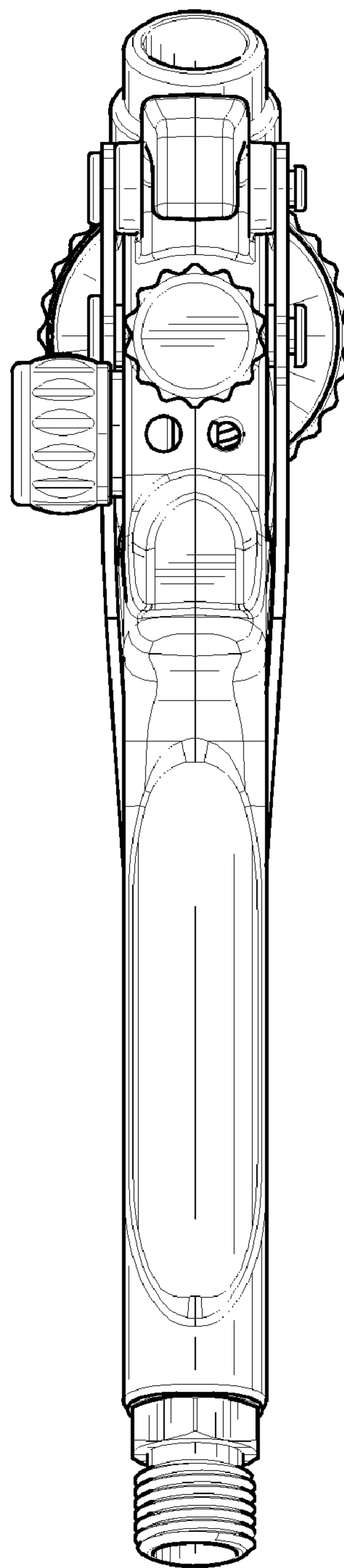


FIG. 3

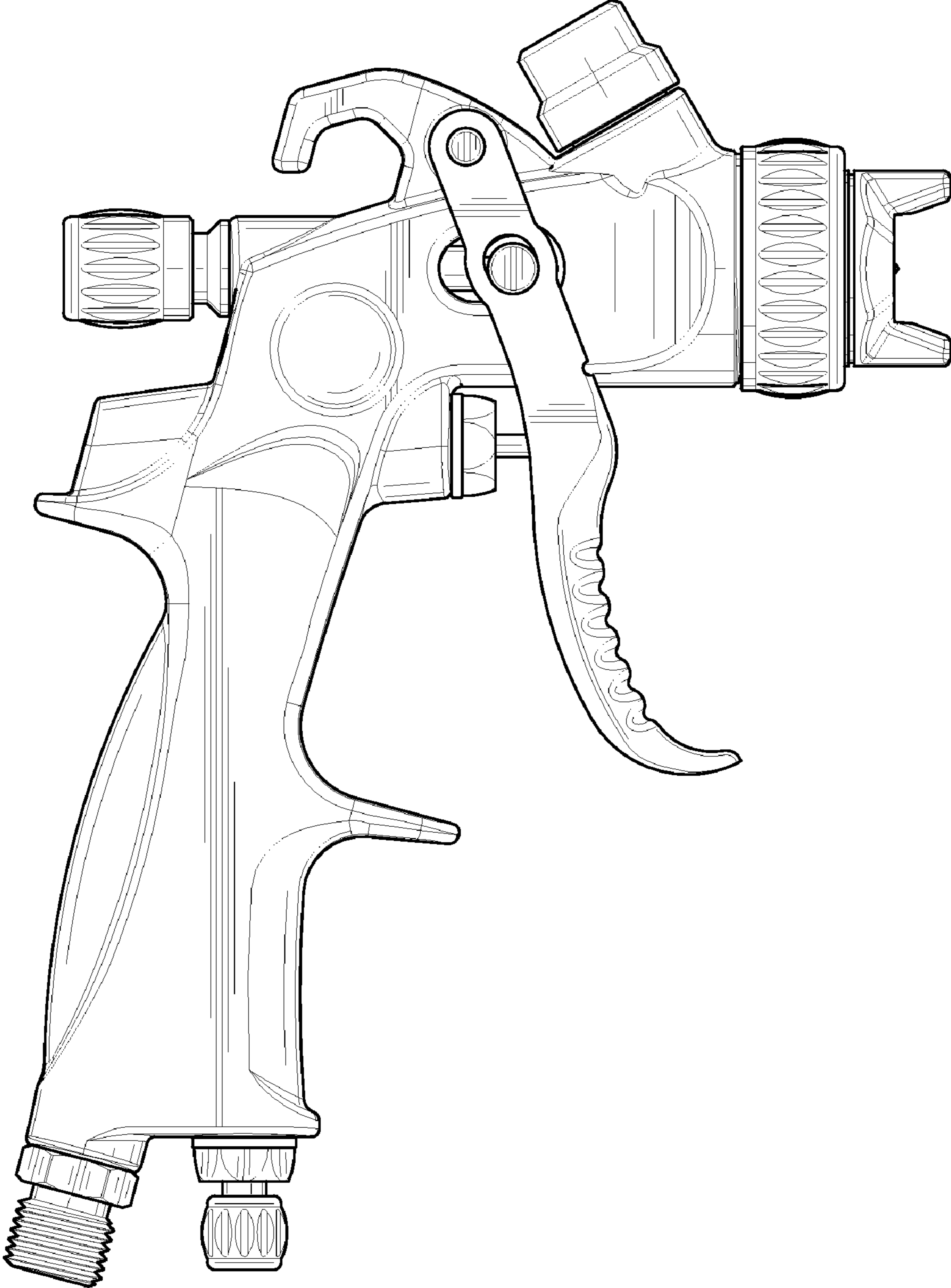


FIG . 4

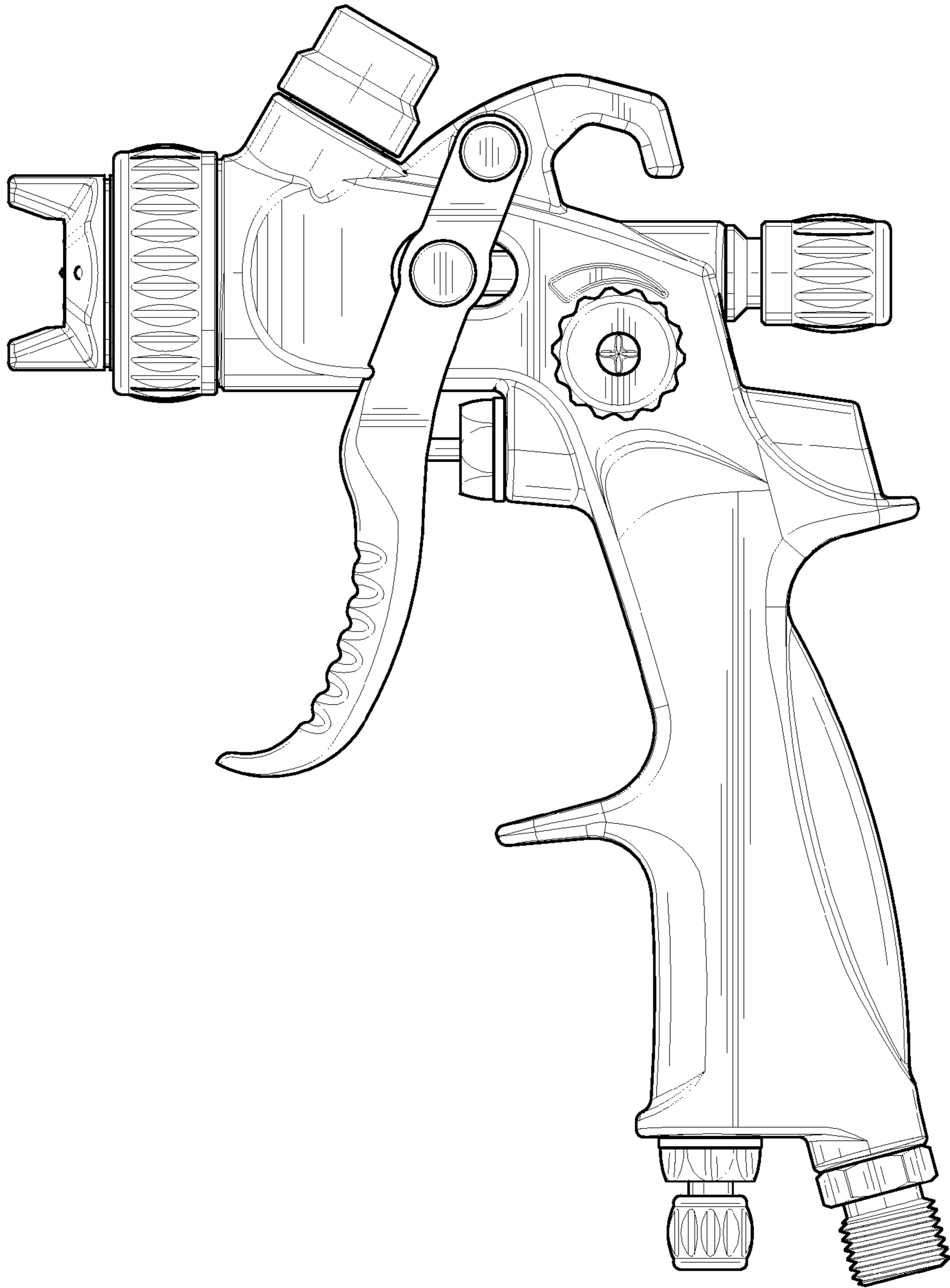


FIG. 5

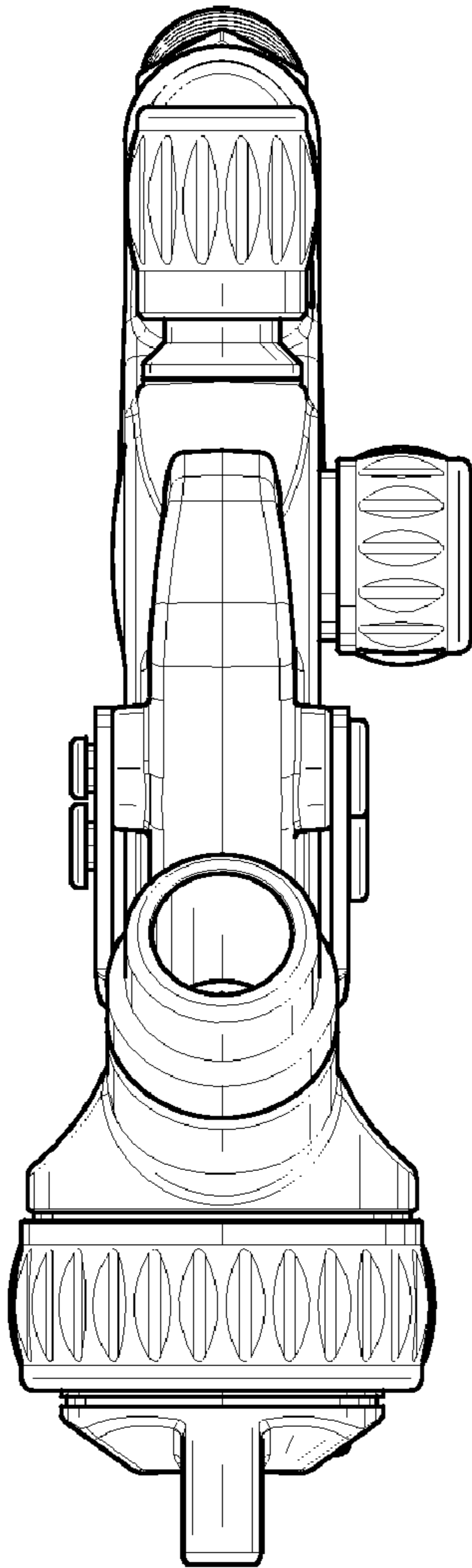


FIG. 6

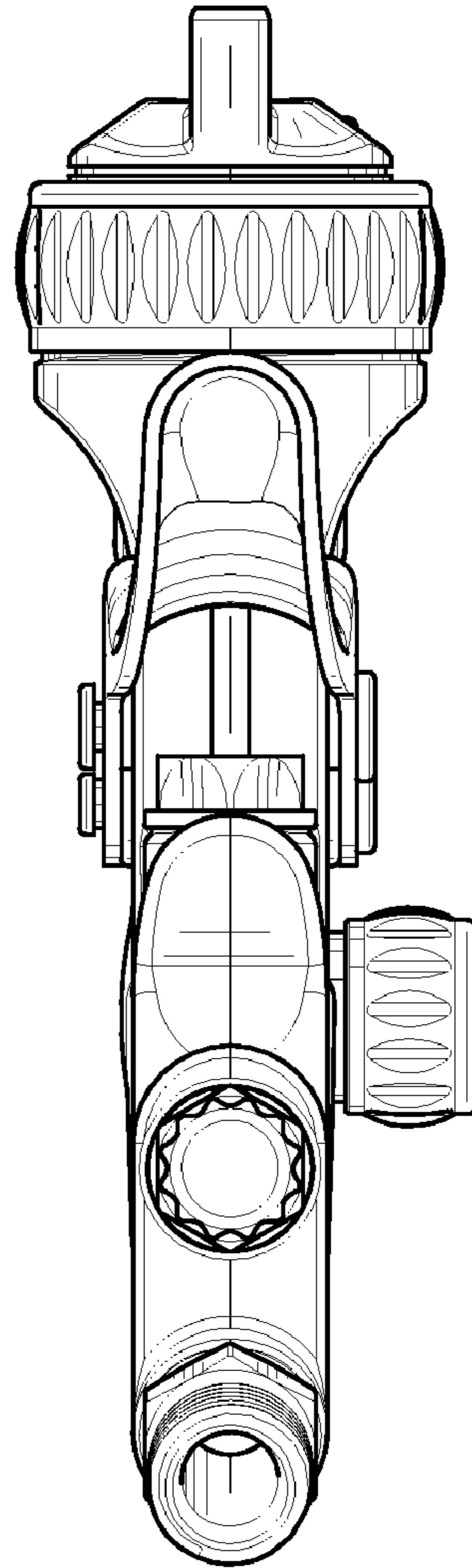


FIG. 7