



US00D575372S

(12) **United States Design Patent**  
**Müllenmeister et al.**

(10) **Patent No.:** **US D575,372 S**  
(45) **Date of Patent:** **\*\* Aug. 19, 2008**

(54) **SHOWER HEAD**

(75) Inventors: **Daniel Müllenmeister**, Havixbeck (DE);  
**Paul Flowers**, Düsseldorf (DE)

(73) Assignee: **Grohe AG**, Hemer (DE)

(\*\*) Term: **14 Years**

(21) Appl. No.: **29/286,173**

(22) Filed: **Apr. 26, 2007**

(30) **Foreign Application Priority Data**

Oct. 27, 2006 (DE) ..... 000612759

(51) **LOC (8) Cl.** ..... **23-01**

(52) **U.S. Cl.** ..... **D23/223**

(58) **Field of Classification Search** ..... D23/213,  
D23/229–230, 223; 239/282–283, 394; 4/615,  
4/567, 570

See application file for complete search history.

(56) **References Cited**

**U.S. PATENT DOCUMENTS**

D509,280 S \* 9/2005 Bailey et al. .... D23/223

D509,563 S \* 9/2005 Bailey et al. .... D23/223  
D510,610 S \* 10/2005 Bailey et al. .... D23/223  
D527,072 S \* 8/2006 Wu ..... D23/223  
D527,442 S \* 8/2006 Wu ..... D23/223

\* cited by examiner

*Primary Examiner*—Robin V Webster

(74) *Attorney, Agent, or Firm*—Andrew Wilford

(57) **CLAIM**

The ornamental design for a shower head, as shown.

**DESCRIPTION**

FIG. 1 is a perspective view from below of the shower head according to the invention;

FIG. 2 is a side view of the shower head;

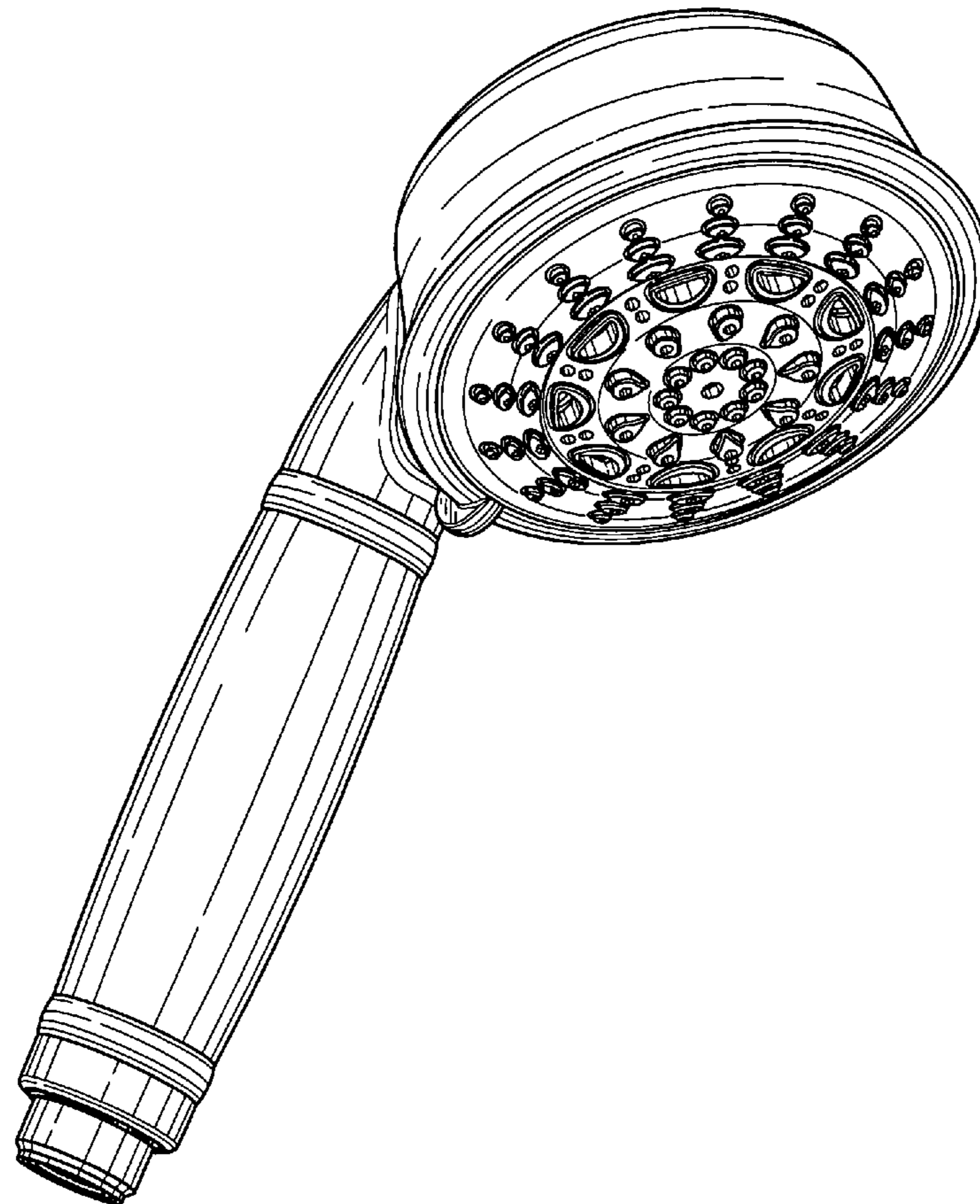
FIG. 3 is a top view thereof;

FIG. 4 is a bottom view thereof;

FIG. 5 is a front view thereof; and,

FIG. 6 is a rear view thereof.

**1 Claim, 4 Drawing Sheets**



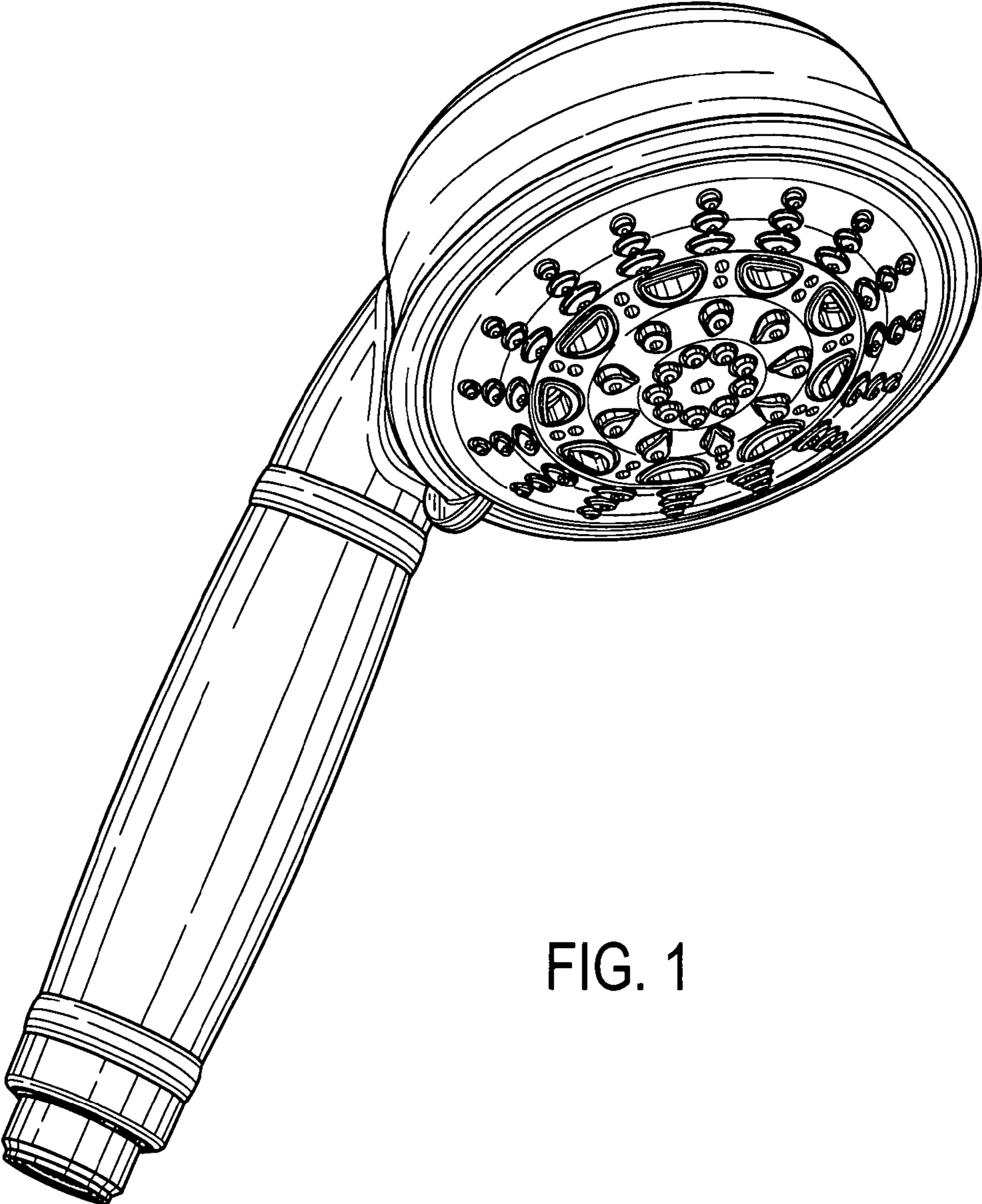


FIG. 1

FIG. 2

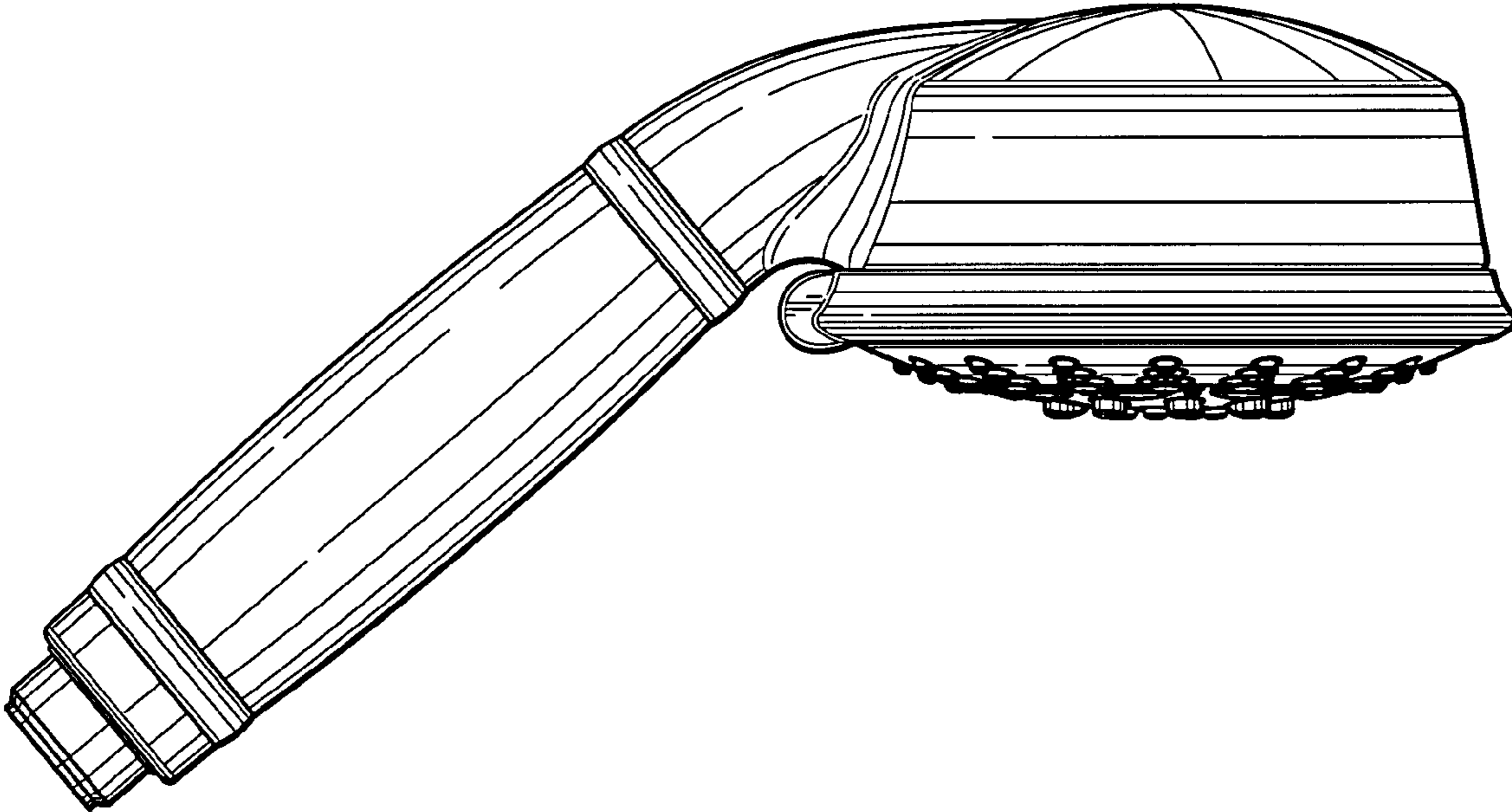


FIG. 3

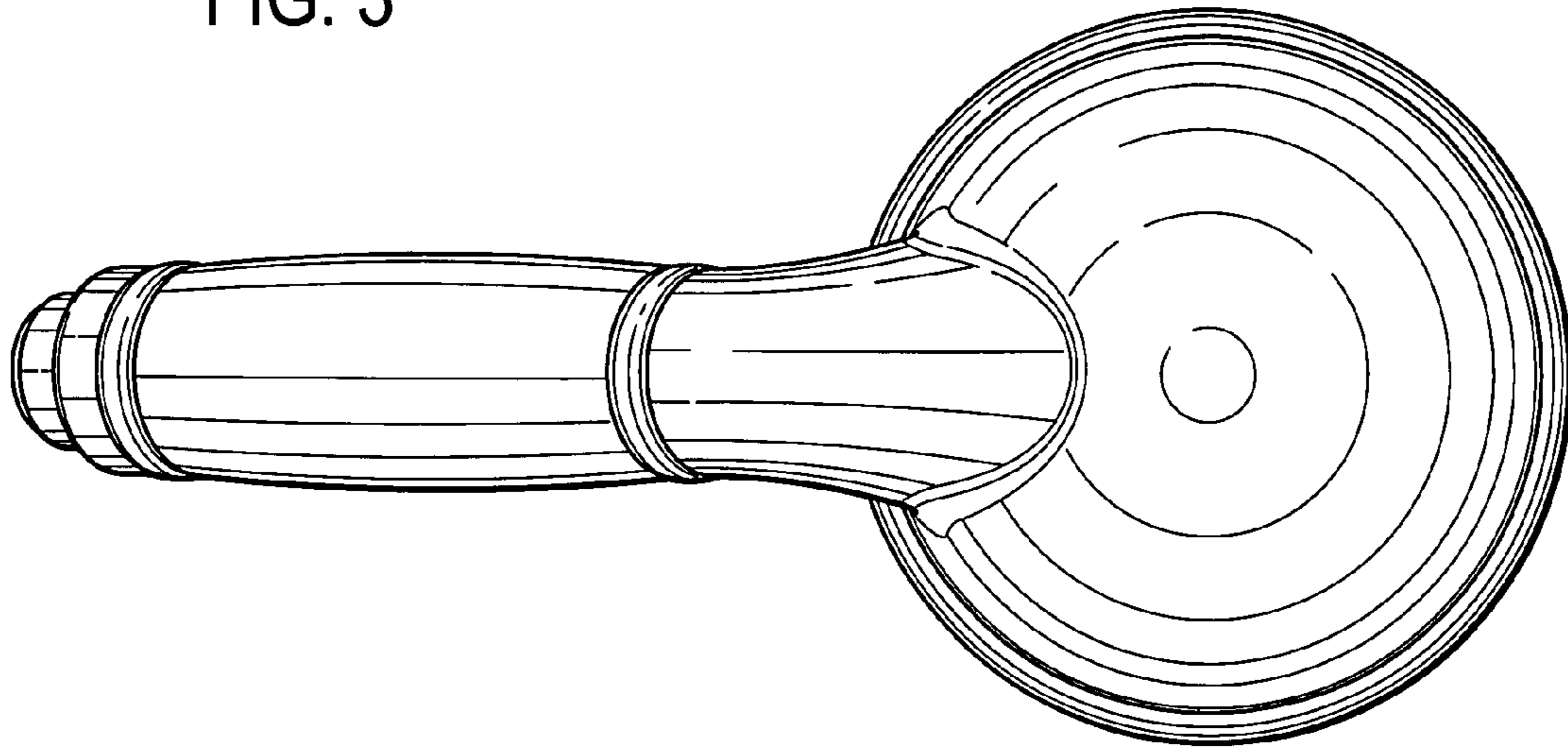


FIG. 4

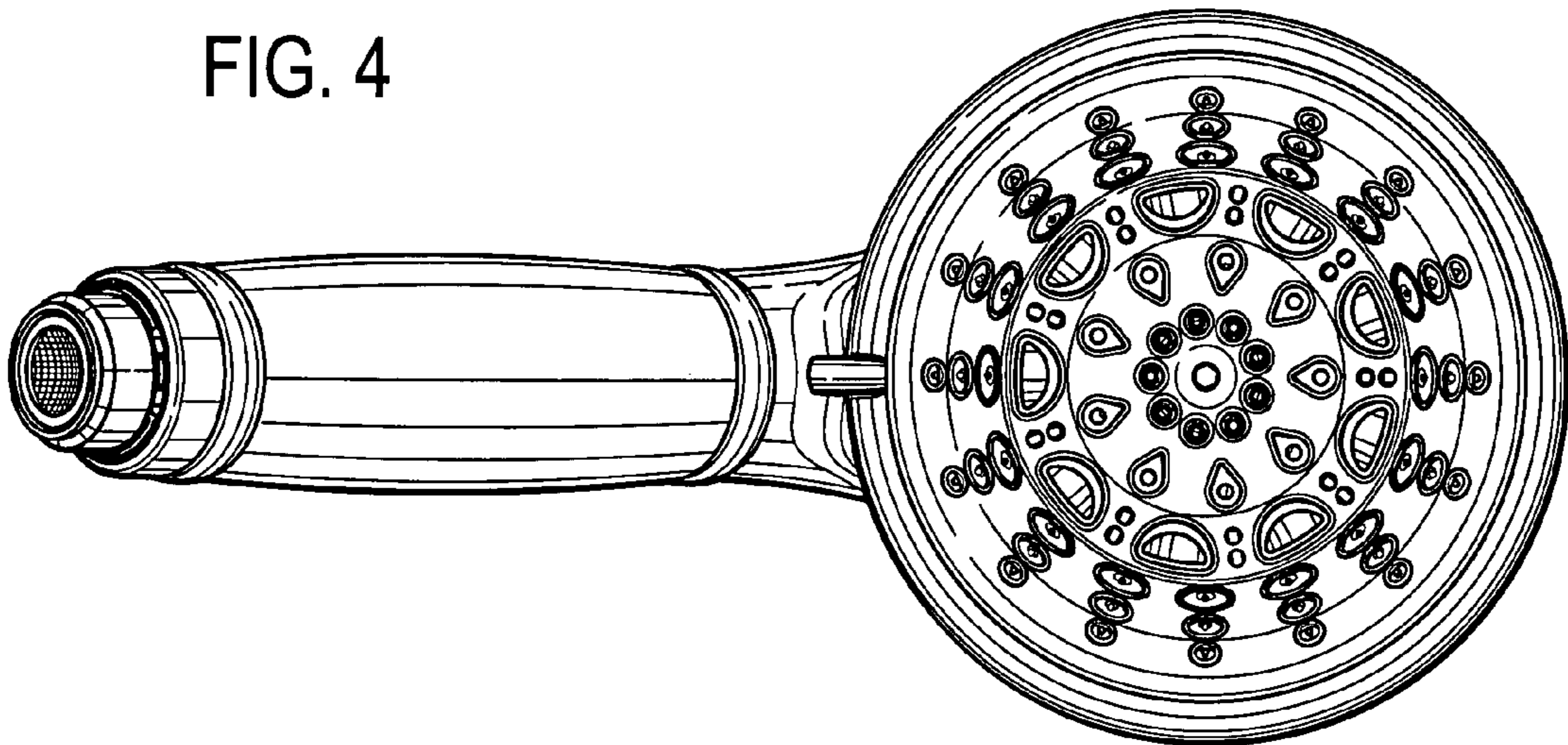


FIG. 5

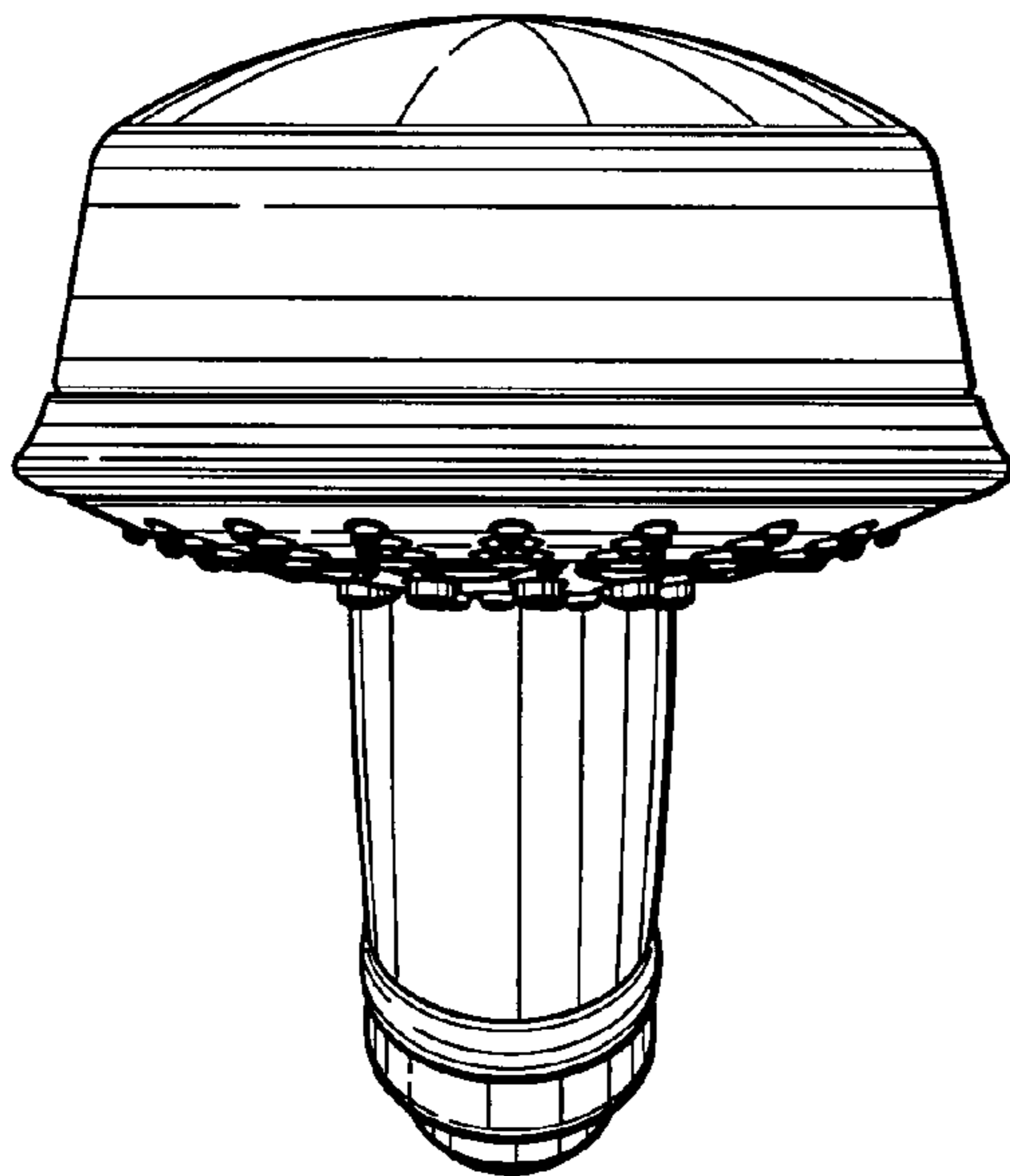


FIG. 6

