



US00D575371S

(12) **United States Design Patent**
Young

(10) **Patent No.:** **US D575,371 S**

(45) **Date of Patent:** **** Aug. 19, 2008**

(54) **FISHING REEL**

D491,249 S * 6/2004 Burke et al. D22/140
D502,754 S * 3/2005 Tao D22/140

(75) Inventor: **John N. Young**, Fairfax, CA (US)

* cited by examiner

(73) Assignee: **PACP, Inc**, Novato, CA (US)

Primary Examiner—Catherine R Oliver

(**) Term: **14 Years**

(57) **CLAIM**

(21) Appl. No.: **29/286,485**

The ornamental design for a fishing reel, as shown and described.

(22) Filed: **May 7, 2007**

(51) **LOC (8) Cl.** **22-05**

(52) **U.S. Cl.** **D22/140**

(58) **Field of Classification Search** D22/137-142;
43/20-24; 242/311, 318, 322, 390

See application file for complete search history.

DESCRIPTION

FIG. 1 is a top view of a fishing reel mainframe showing a unique color scheme.

FIG. 2 is a front elevation view thereof.

FIG. 3 is a right side perspective view thereof.

FIG. 4 is a left side perspective view thereof; and,

FIG. 5 is a colored right side perspective view thereof.

The drawings are lined for color.

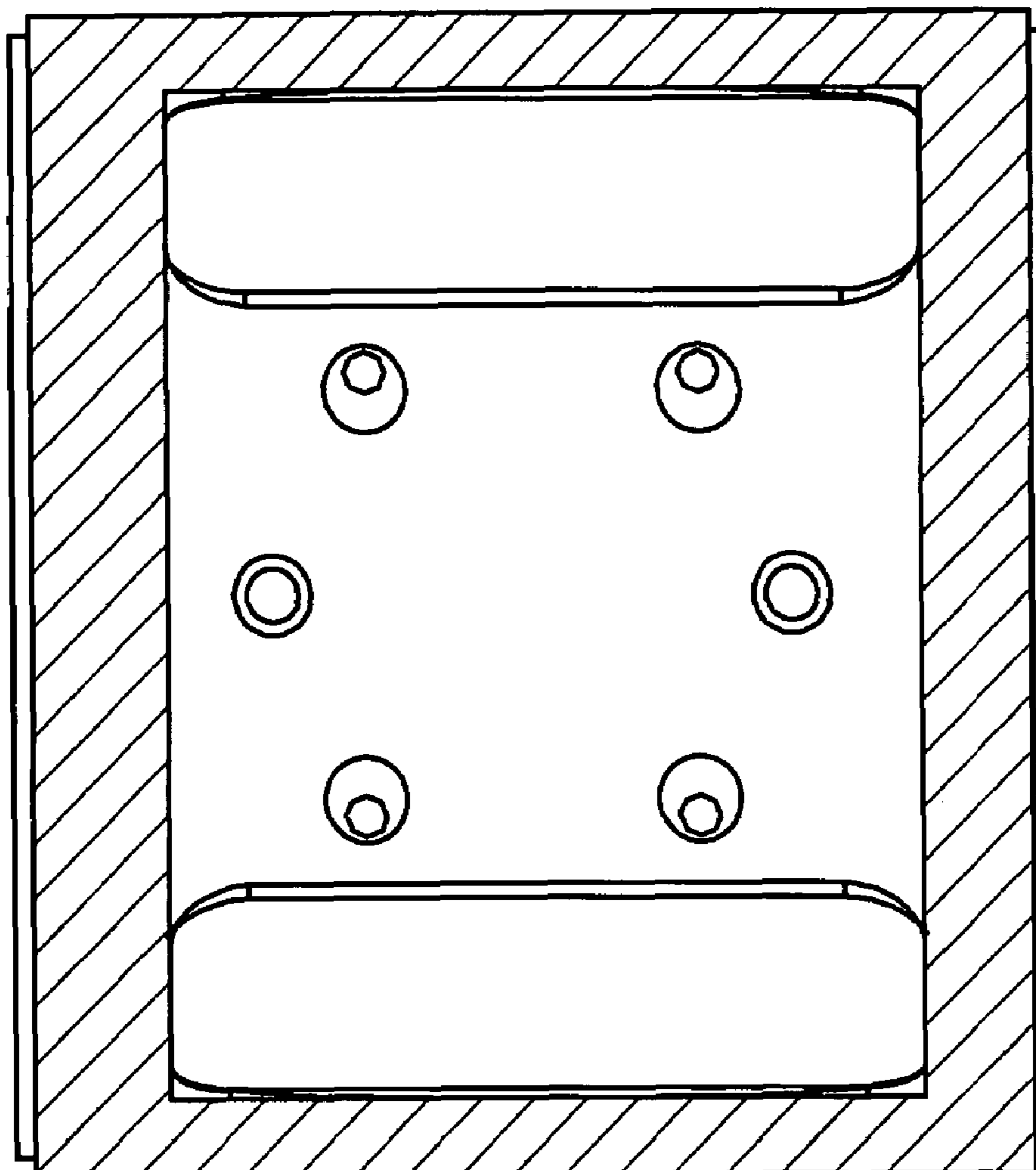
(56) **References Cited**

U.S. PATENT DOCUMENTS

D371,420 S * 7/1996 Henriksson et al. D22/140

D468,795 S * 1/2003 Kondo et al. D22/140

1 Claim, 5 Drawing Sheets



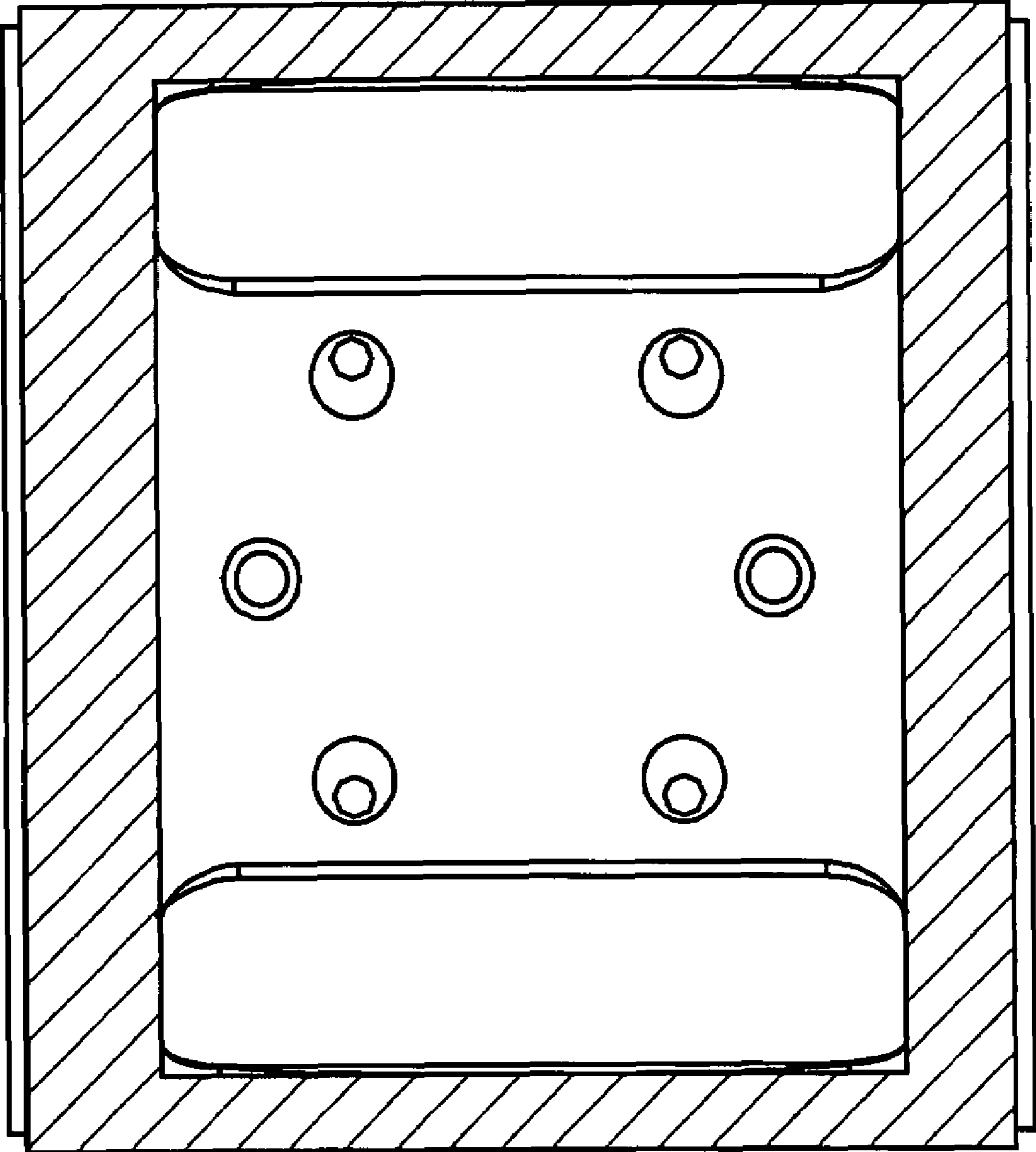


FIG 1

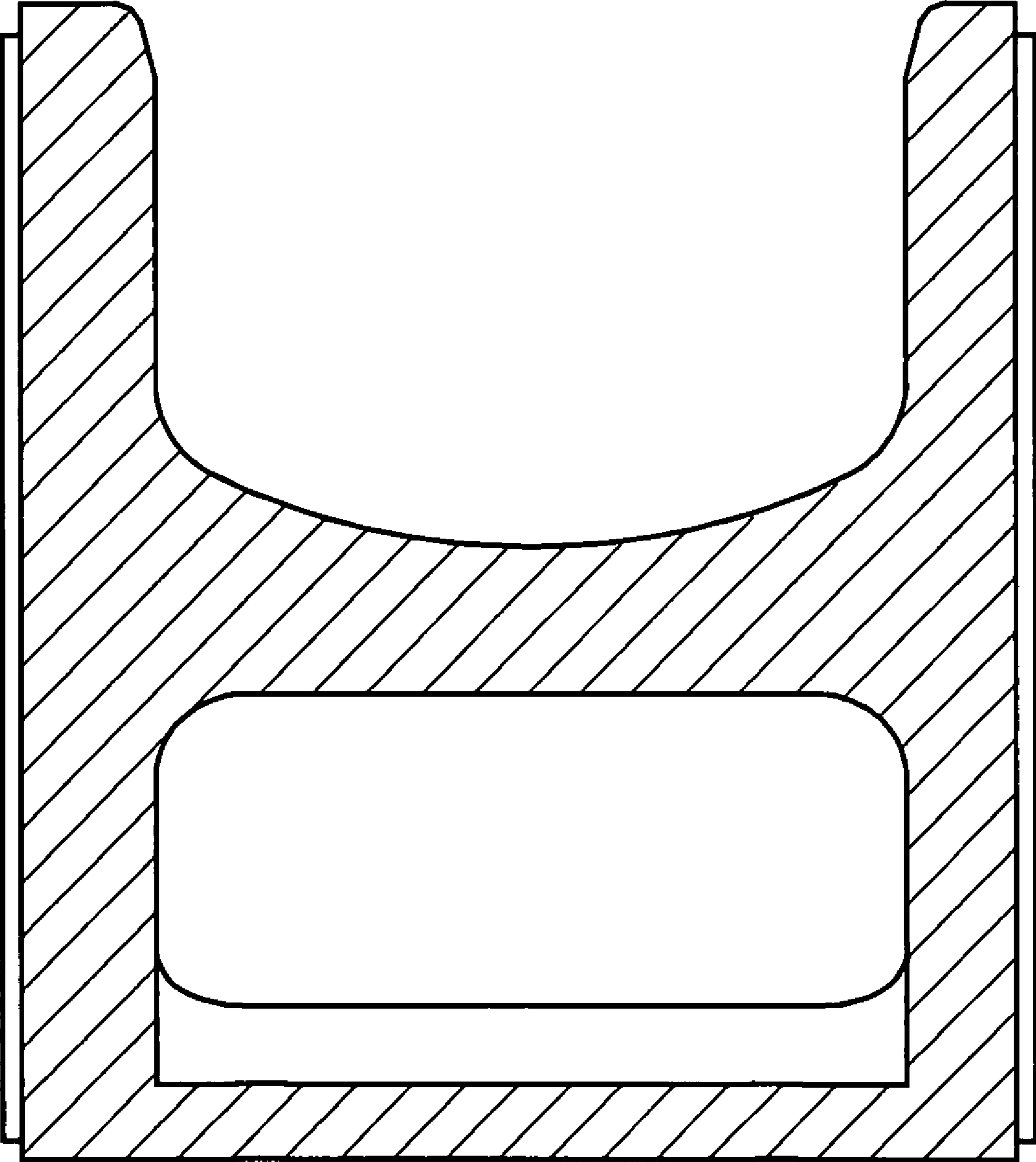


FIG 2

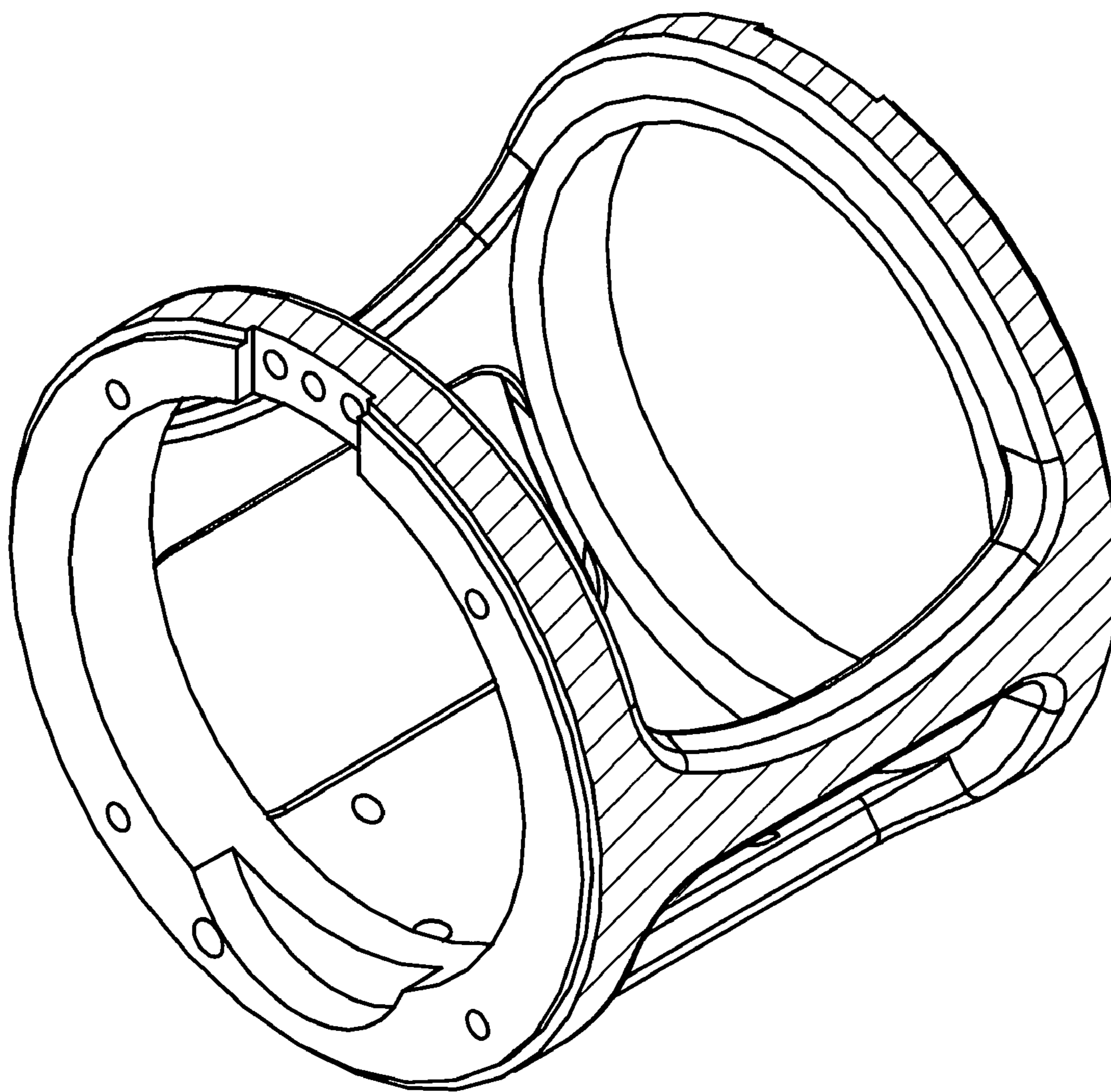


FIG 3

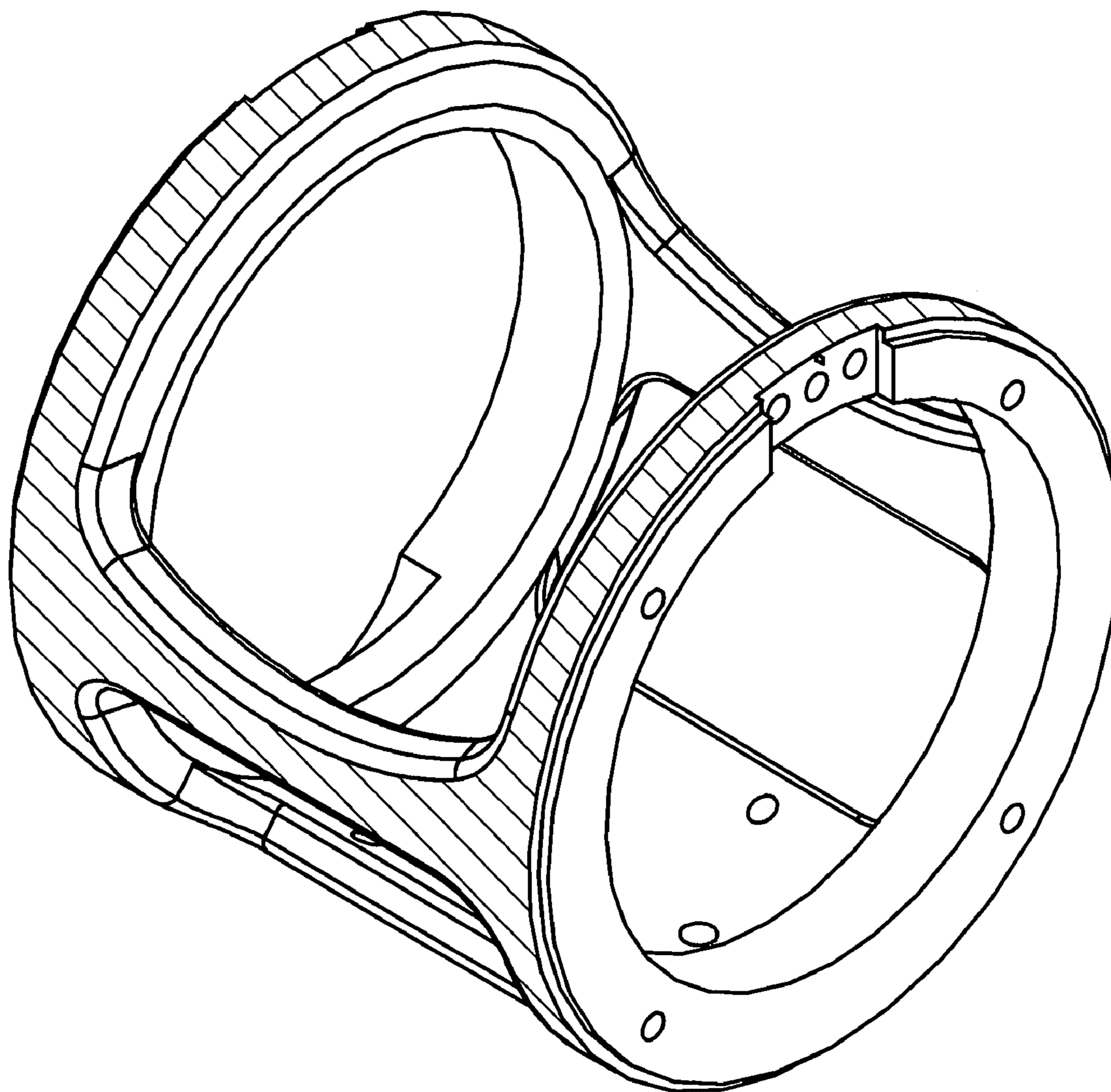


FIG 4

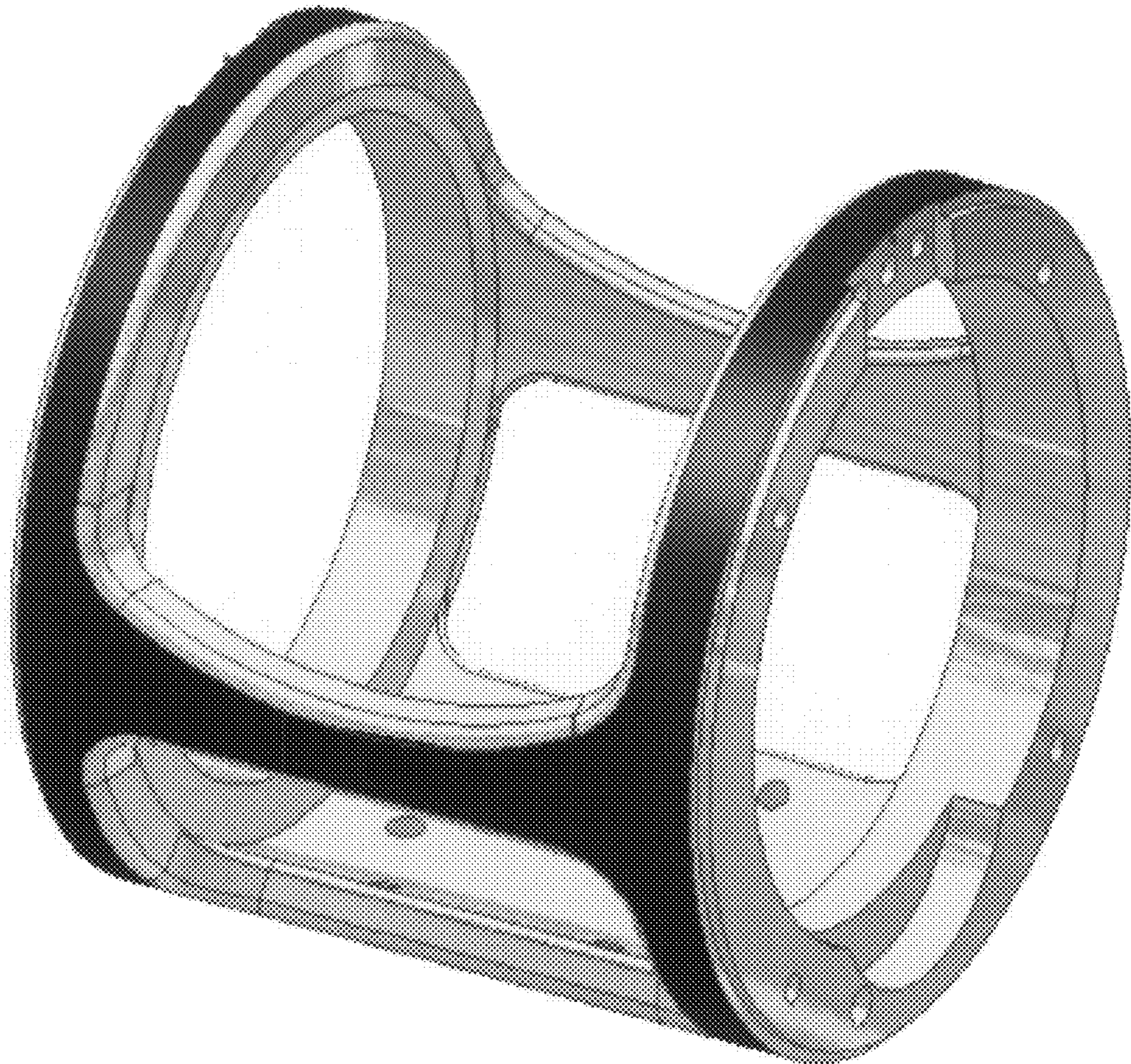


FIG 5