



US00D575365S

(12) **United States Design Patent**  
**Duhon**

(10) **Patent No.:** **US D575,365 S**

(45) **Date of Patent:** **\*\* Aug. 19, 2008**

(54) **PUTT RETRIEVER**

(76) **Inventor:** **David T. Duhon**, 917 Auburn Ave.,  
Lafayette, LA (US) 70503

(\*\*) **Term:** **14 Years**

(21) **Appl. No.:** **29/243,490**

(22) **Filed:** **Nov. 22, 2005**

(51) **LOC (8) Cl.** ..... **21-02**

(52) **U.S. Cl.** ..... **D21/721**

(58) **Field of Classification Search** ..... D21/721-754,  
D21/789-796; D8/21, 28, 29; D32/14, 35;  
473/173-196, 286, 298, 299, 517, 553, 415-504;  
294/19.2, 64.1; 81/53.11

See application file for complete search history.

(56) **References Cited**

**U.S. PATENT DOCUMENTS**

1,830,520	A *	11/1931	Moyses	.....	294/19.2
D195,629	S *	7/1963	Borah	.....	D21/721
3,302,803	A *	2/1967	Mooney	.....	414/564
3,909,055	A *	9/1975	Koppel	.....	294/64.1
3,999,795	A *	12/1976	Barker	.....	294/64.1
4,121,865	A *	10/1978	Littwin, Sr.	.....	294/2
4,781,307	A	11/1988	Ferro		
5,083,764	A *	1/1992	Chambers	.....	271/106
5,147,101	A	9/1992	Tiller		

5,975,600	A	11/1999	Hwang		
5,988,716	A	11/1999	Liao		
6,419,600	B1	7/2002	York et al.		
6,431,624	B1 *	8/2002	Dunger	.....	294/64.1
6,604,767	B1	8/2003	Daniels		
6,716,118	B1 *	4/2004	Asta	.....	473/406
D497,656	S *	10/2004	Maraschiello	.....	D21/721
6,899,635	B2 *	5/2005	Nadratowski et al.	.....	473/285
6,962,536	B2 *	11/2005	Hall et al.	.....	473/282
2002/0169030	A1 *	11/2002	Chun-Sheng	.....	473/286
2003/0083142	A1 *	5/2003	Nam	.....	473/286
2004/0166955	A1 *	8/2004	Nadratowski et al.	.....	473/286

\* cited by examiner

*Primary Examiner*—Catherine Tuttle

(74) *Attorney, Agent, or Firm*—Greg R. Mier

(57) **CLAIM**

The ornamental design for a putt retriever, as shown.

**DESCRIPTION**

FIG. 1 is a bottom perspective view of the putt retriever.

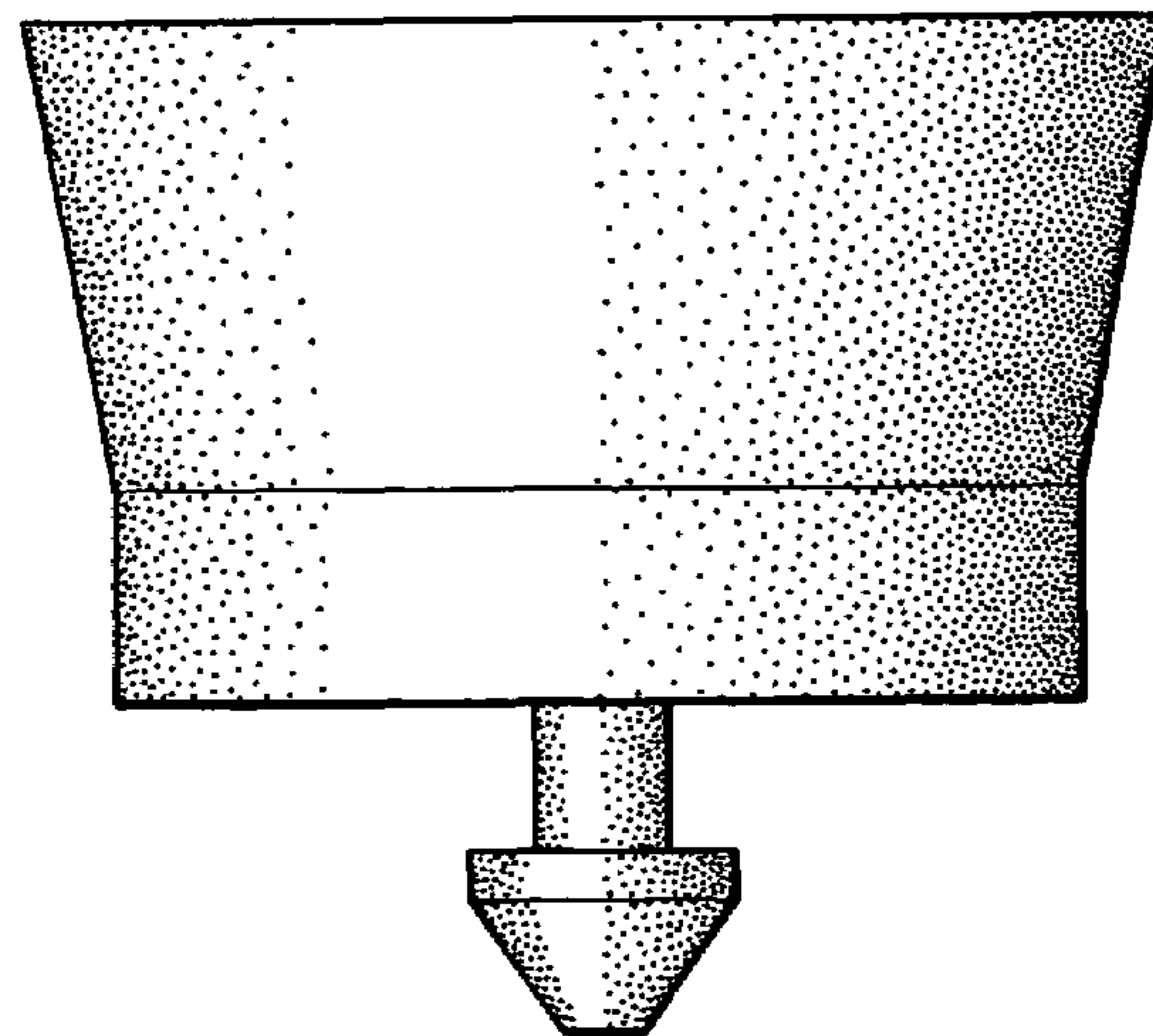
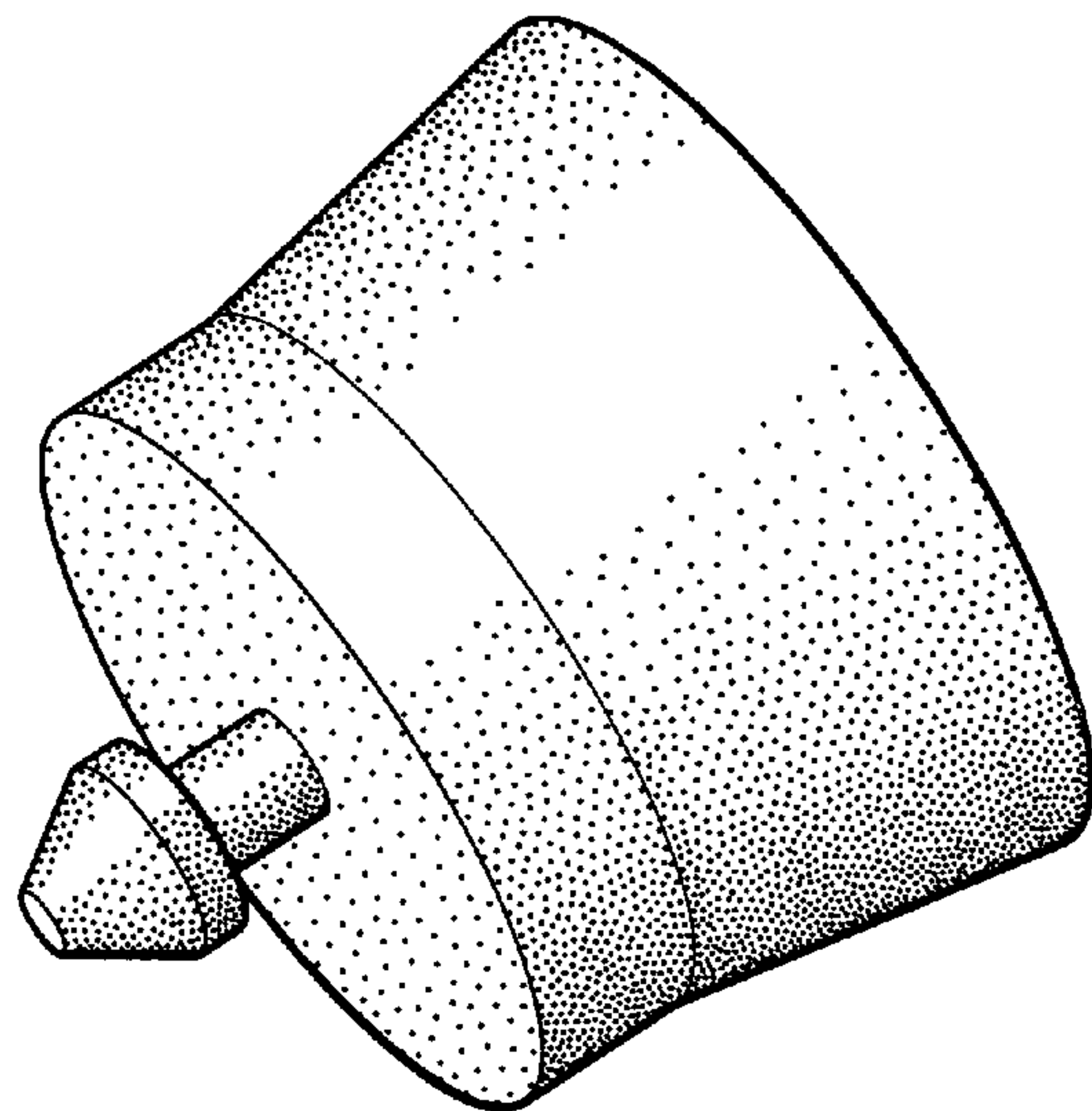
FIG. 2 is a top perspective view of the putt retriever.

FIG. 3 is a bottom plan view of the putt retriever.

FIG. 4 is a top plan view of the putt retriever; and,

FIG. 5 is a front elevational view of the putt retriever, the rear and side view being identical thereto.

**1 Claim, 2 Drawing Sheets**



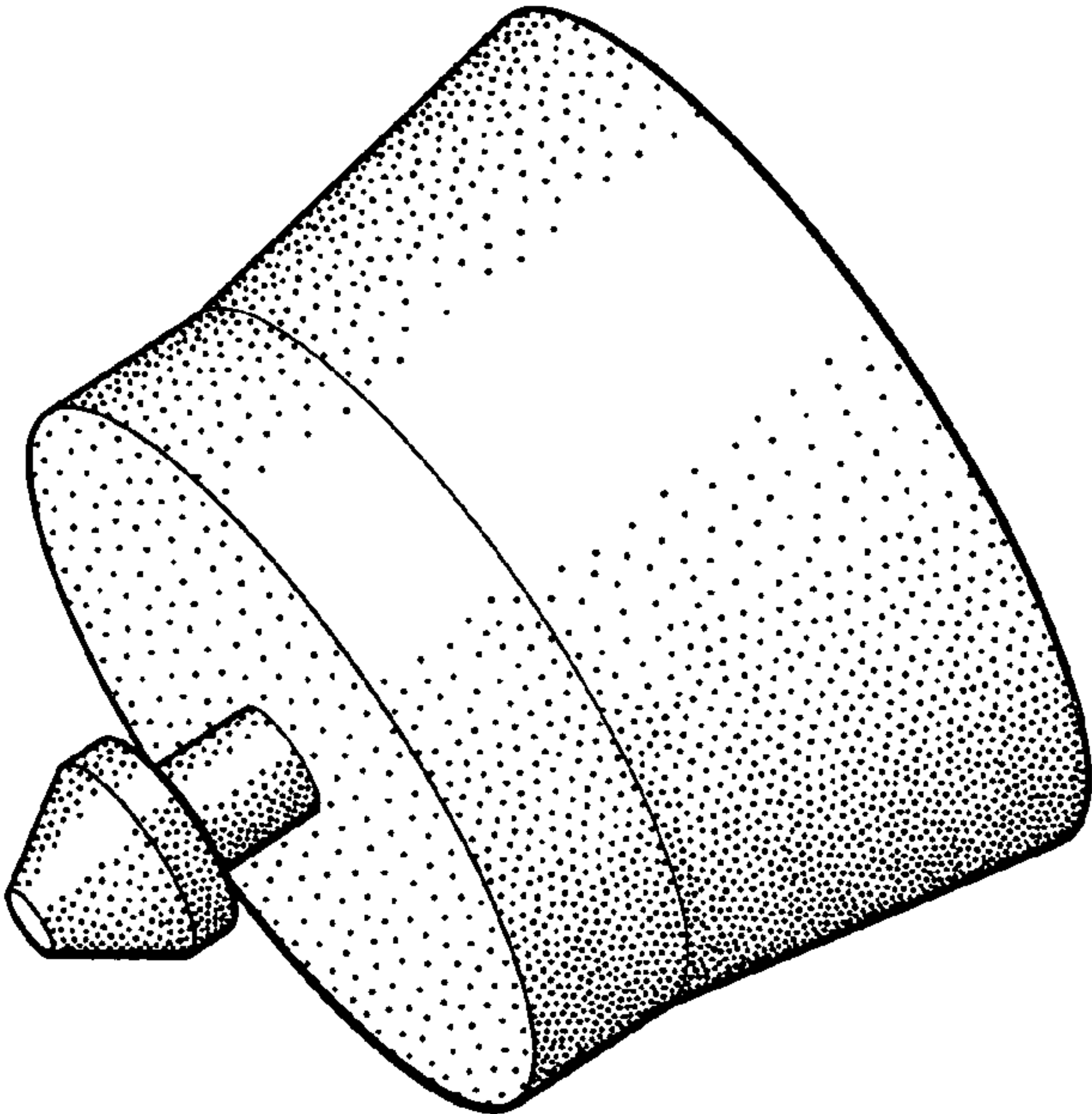


FIG. 1

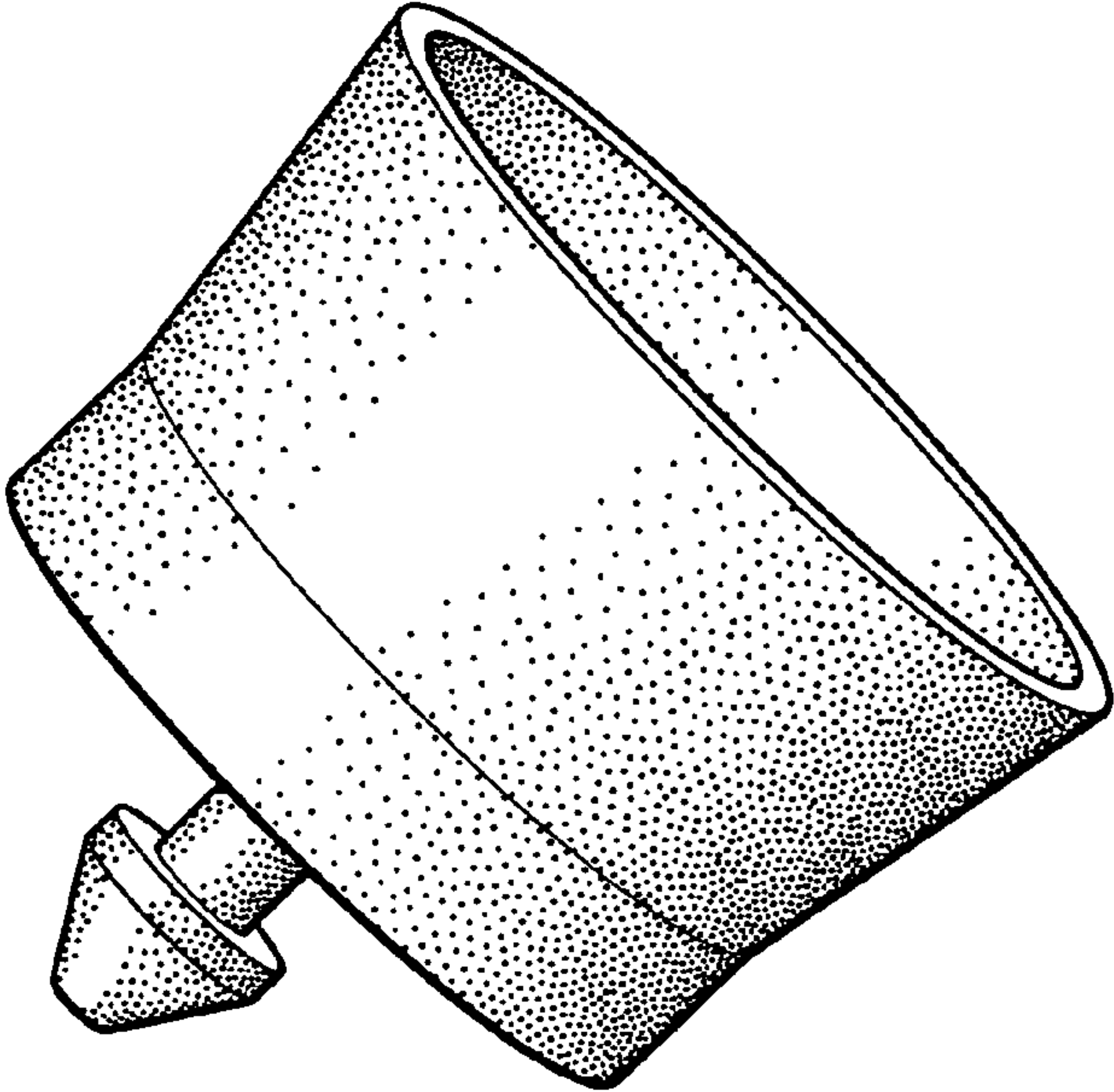


FIG. 2



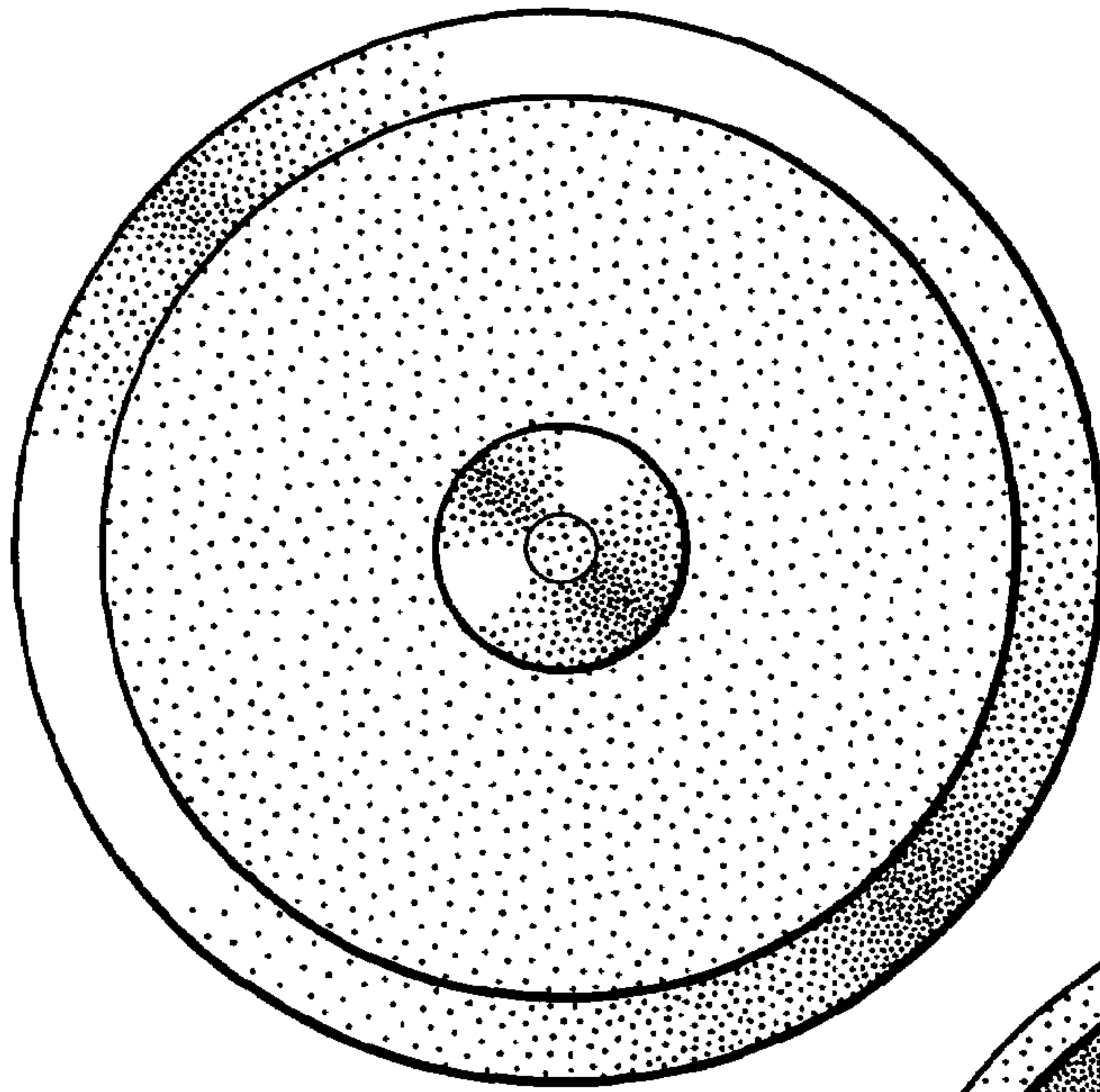


FIG. 3

FIG. 4

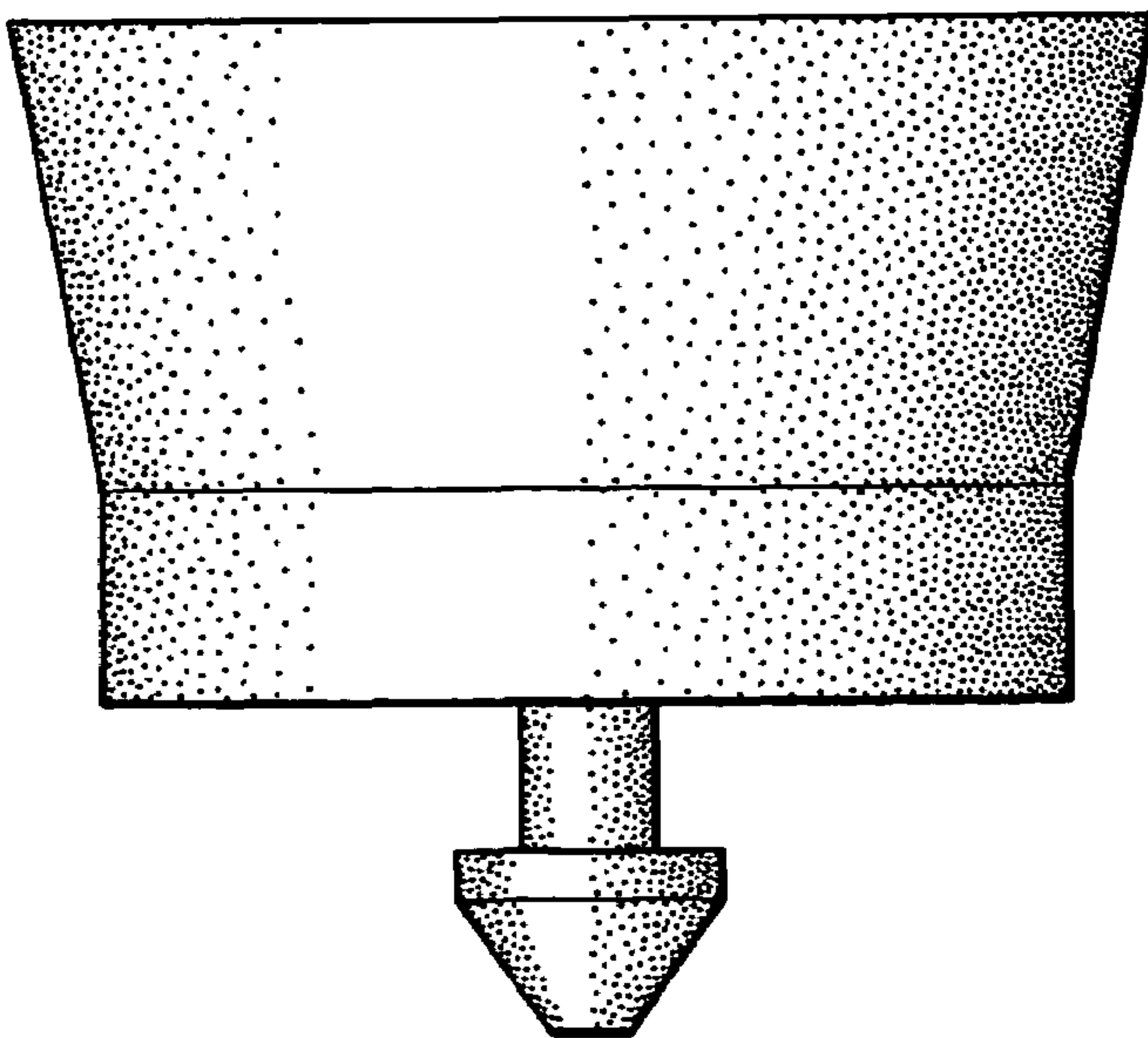
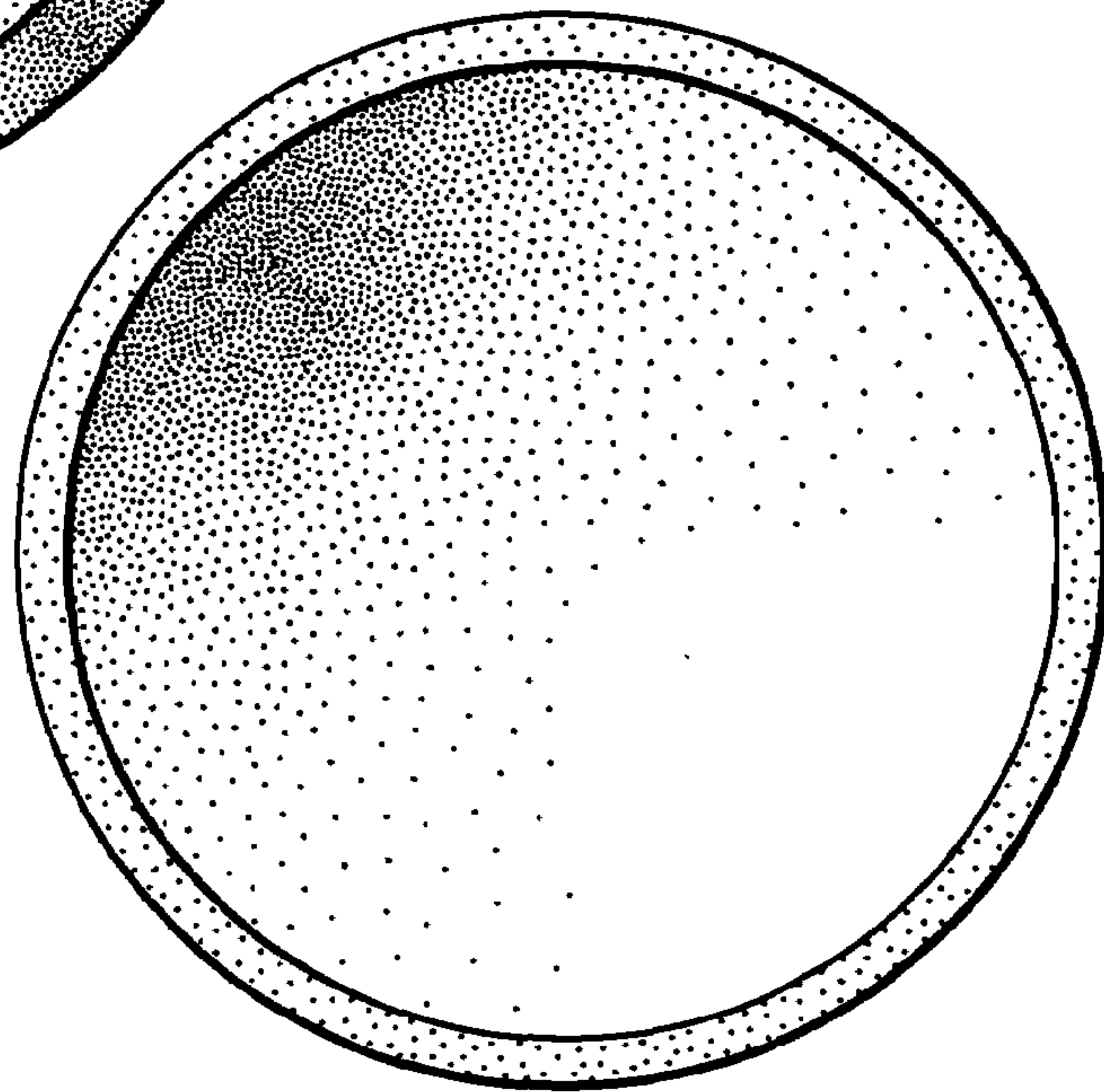


FIG. 5