



US00D575363S

(12) **United States Design Patent**  
**Horita**

(10) **Patent No.:** **US D575,363 S**  
(45) **Date of Patent:** **\*\* Aug. 19, 2008**

(54) **FOOT PAD FOR AN EXERCISE DEVICE**

(75) Inventor: **Sean Horita**, Seattle, WA (US)

(73) Assignee: **Precor Incorporated**, Woodinville, WA (US)

(\*\*) Term: **14 Years**

(21) Appl. No.: **29/270,581**

(22) Filed: **Dec. 28, 2006**

(51) **LOC (8) Cl.** ..... **21-02**

(52) **U.S. Cl.** ..... **D21/694**

(58) **Field of Classification Search** ..... D21/662-663,  
D21/665-671, 673, 694, 696-697; 482/51-52,  
482/54, 57, 66, 68, 70, 72, 79, 80

See application file for complete search history.

(56) **References Cited**

**U.S. PATENT DOCUMENTS**

D390,289	S *	2/1998	Chen	.....	D21/668
5,746,684	A	5/1998	Jordan	.....	482/62
D395,933	S *	7/1998	Lin	.....	D21/662
5,910,072	A	6/1999	Rawls et al.	.....	482/51
5,941,804	A	8/1999	Johnston et al.	.....	482/97
6,030,319	A *	2/2000	Wu	.....	482/51
D458,977	S *	6/2002	Tobias et al.	.....	D21/668
D465,001	S *	10/2002	Chiang-Chow	.....	D21/670
6,679,812	B2	1/2004	Torkelson	.....	482/51
6,830,539	B2 *	12/2004	Chuang	.....	482/53
D519,583	S *	4/2006	Chen	.....	D21/668
D530,758	S *	10/2006	Kim	.....	D21/668
7,314,432	B2 *	1/2008	Liao	.....	482/52
2002/0160887	A1	10/2002	Warner et al.	.....	482/57
2003/0092532	A1	5/2003	Giannelli et al.	.....	482/51
2004/0224825	A1	11/2004	Giannelli et al.	.....	482/52
2005/0113215	A1 *	5/2005	Chuang	.....	482/52

2005/0124466	A1	6/2005	Rodgers, Jr.	.....	482/52
2005/0124467	A1	6/2005	Rodgers, Jr.	.....	482/52
2006/0035754	A1	2/2006	Giannelli et al.	.....	482/51
2006/0040794	A1	2/2006	Giannelli et al.	.....	482/51
2007/0254782	A1 *	11/2007	Chen	.....	482/53

**OTHER PUBLICATIONS**

AMT™ 100i at Precor™ USA.com Commercial Products. Downloaded Feb. 4, 2008 at <http://www.precor.com/comm/en/amt/amt100i/>.\*

\* cited by examiner

*Primary Examiner*—Philip S. Hyder

*Assistant Examiner*—Roselyne [Ulm] Cody

(74) *Attorney, Agent, or Firm*—Terence P. O'Brien

(57) **CLAIM**

I claim the ornamental design for a foot pad for an exercise device, as shown and described.

**DESCRIPTION**

FIG. 1 is a rear side perspective view of a foot pad for an exercise device;

FIG. 2 is a top view of the foot pad of FIG. 1;

FIG. 3 is a first side view of the foot pad of FIG. 1;

FIG. 4 is a second side view of the foot pad of FIG. 1;

FIG. 5 is a front view of the foot pad of FIG. 1;

FIG. 6 is a rear view of the foot pad of FIG. 1; and,

FIG. 7 is bottom view of the foot pad of FIG. 1.

The ornamental design that is claimed is shown in solid lines in the drawings. The broken (dashed) lines shown in the drawings are included for the purpose of illustrating environmental elements only and form no part of the claimed design.

**1 Claim, 6 Drawing Sheets**

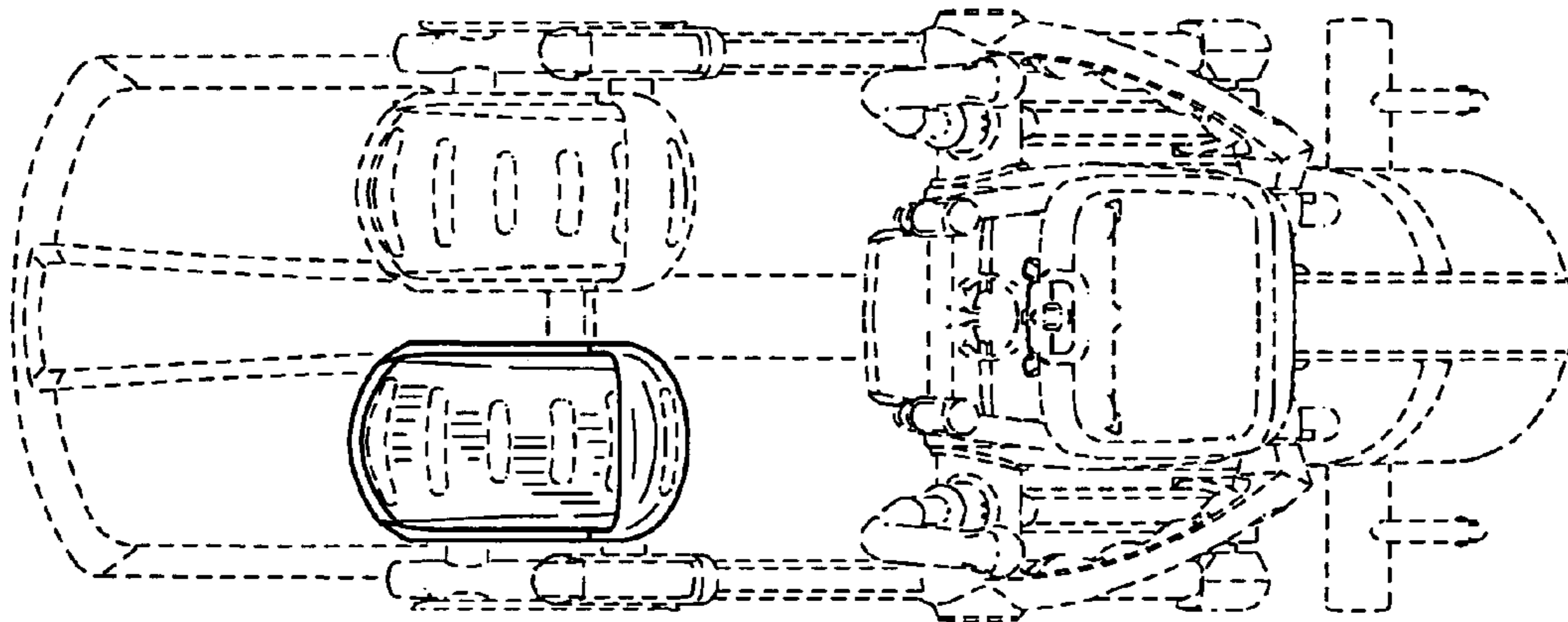
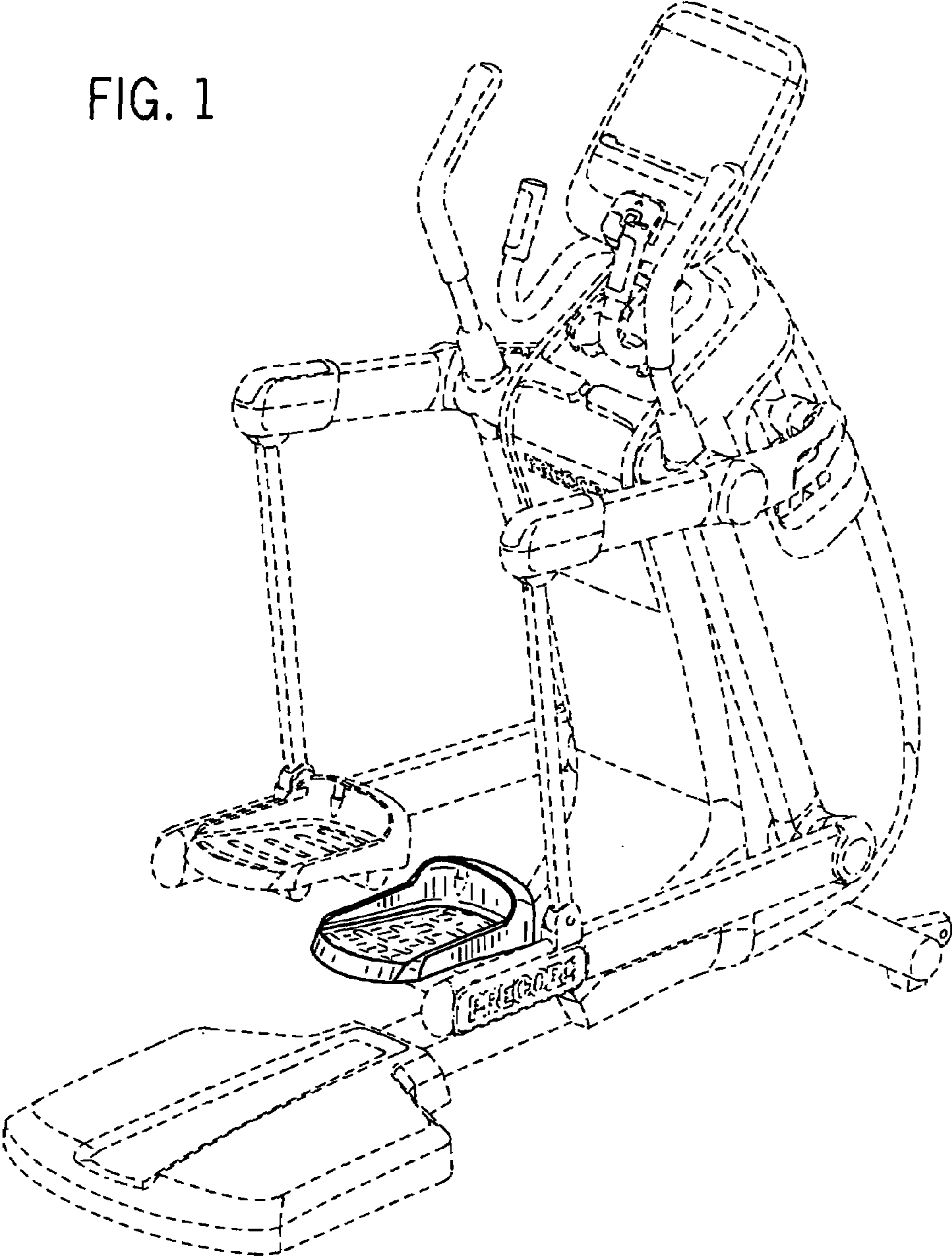


FIG. 1



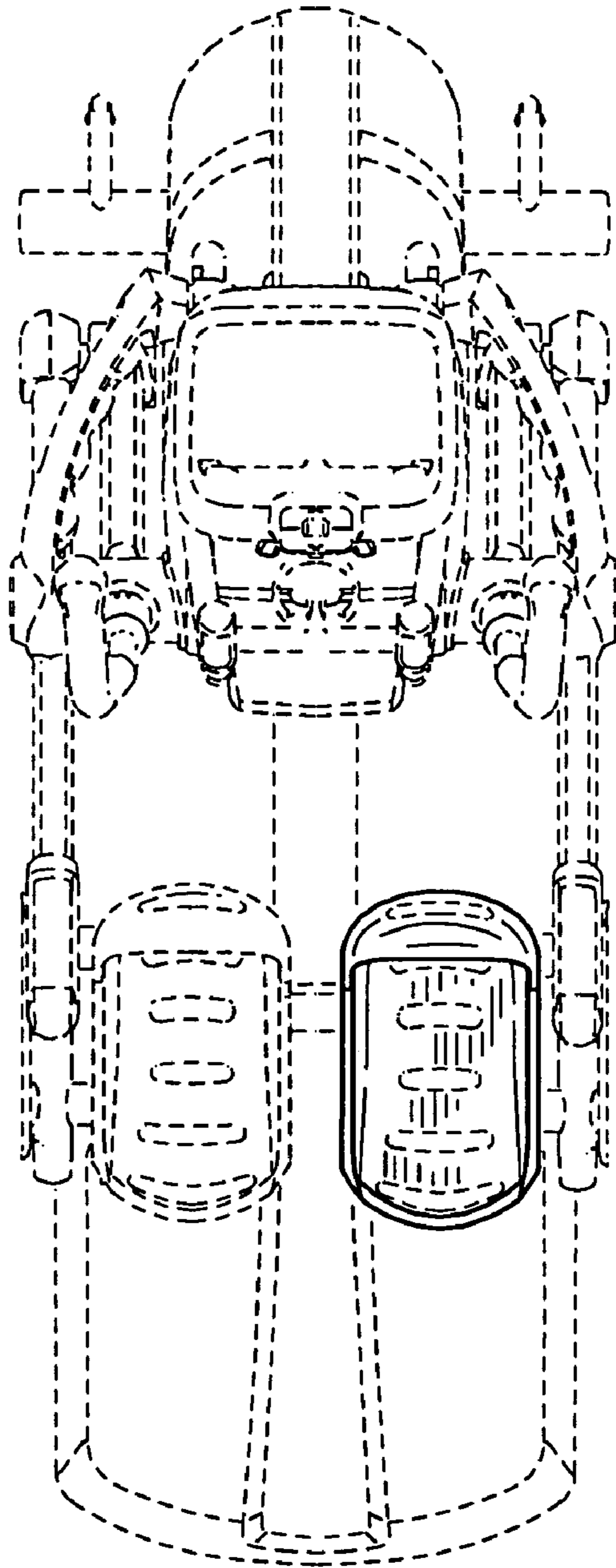


FIG. 2

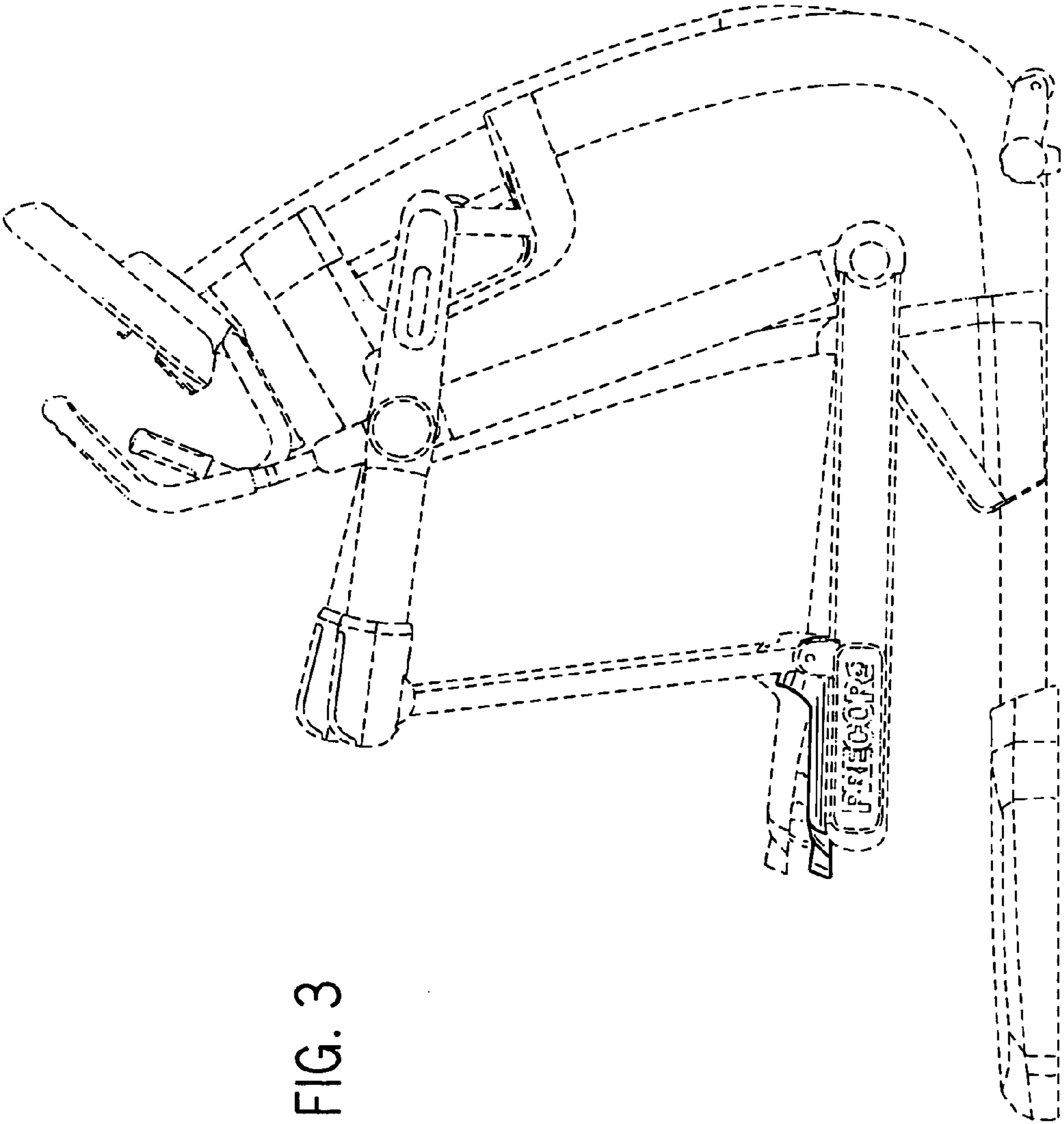


FIG. 3



FIG. 4

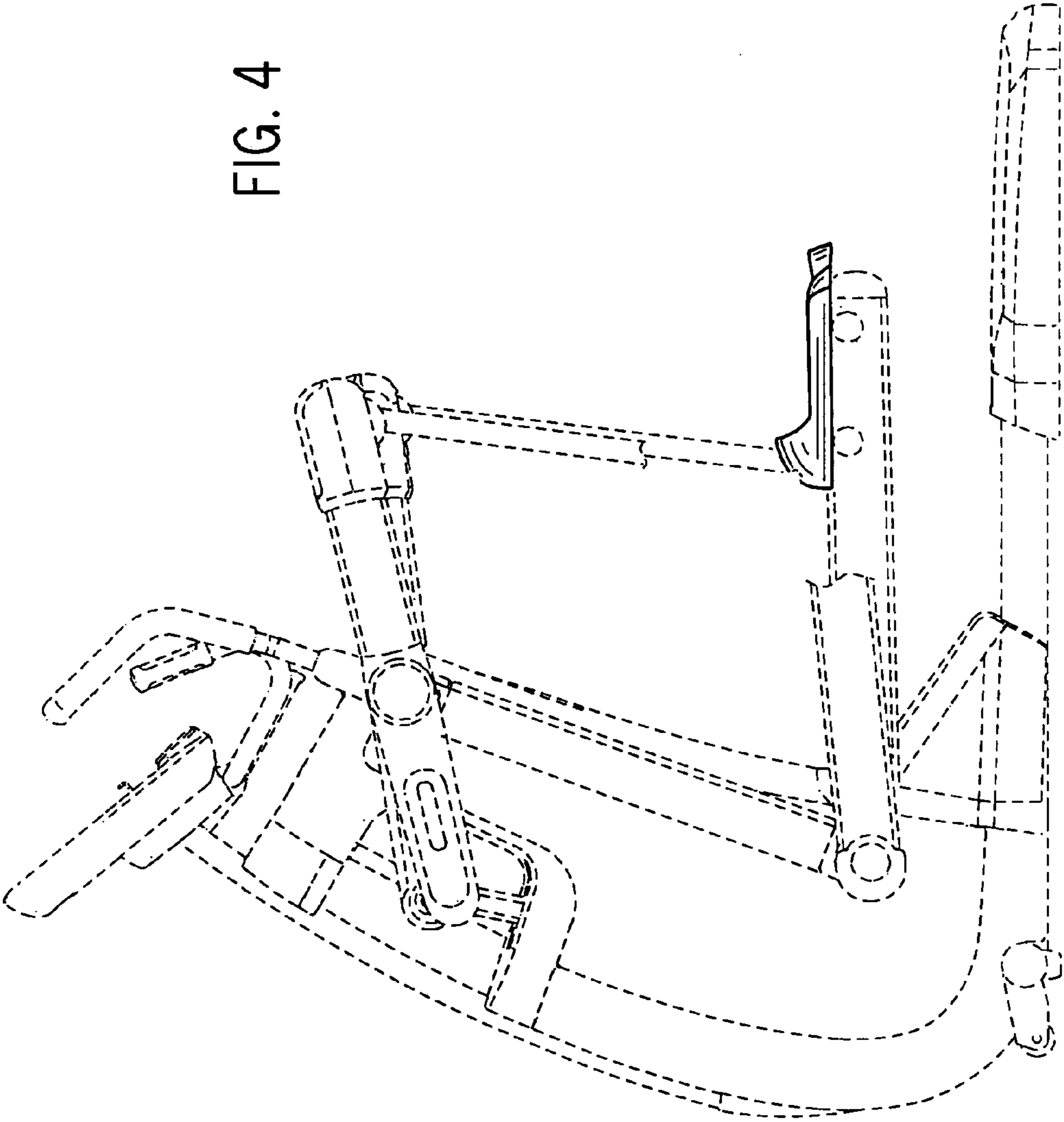


FIG. 6

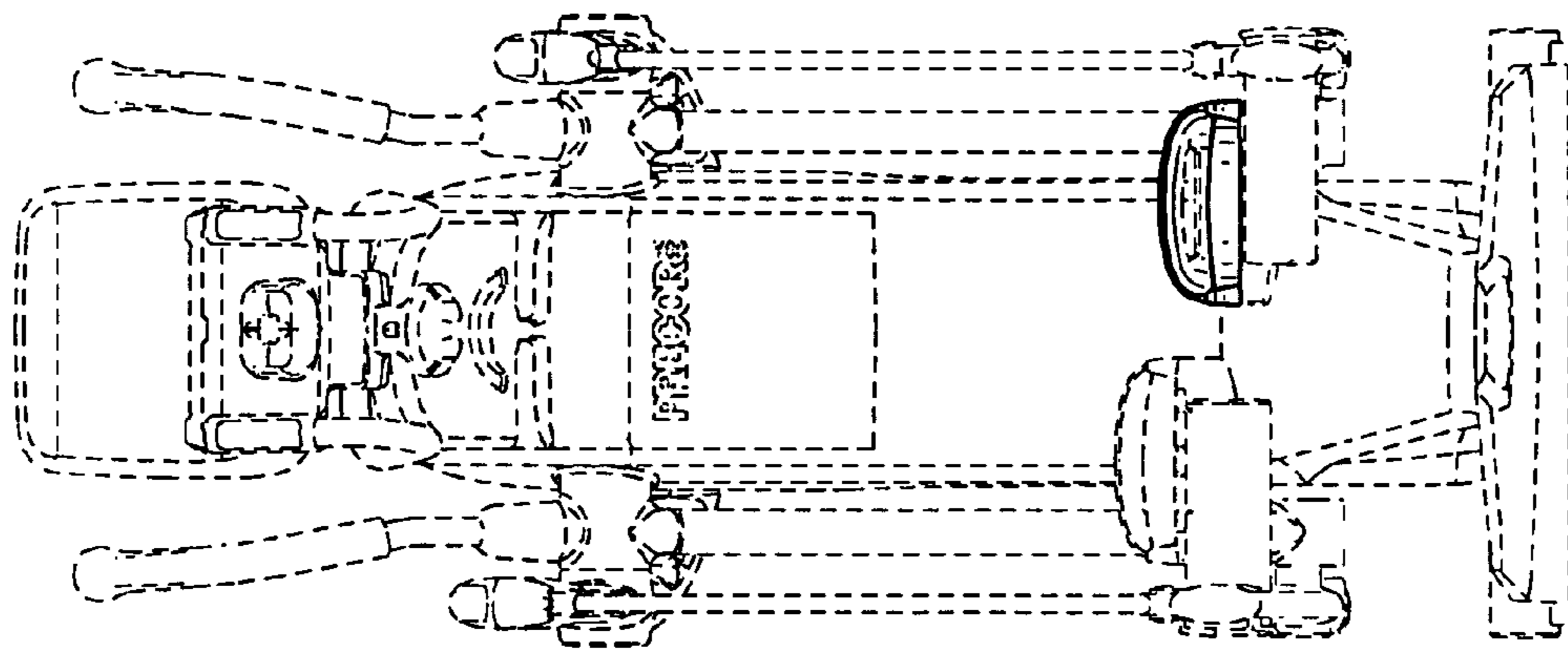
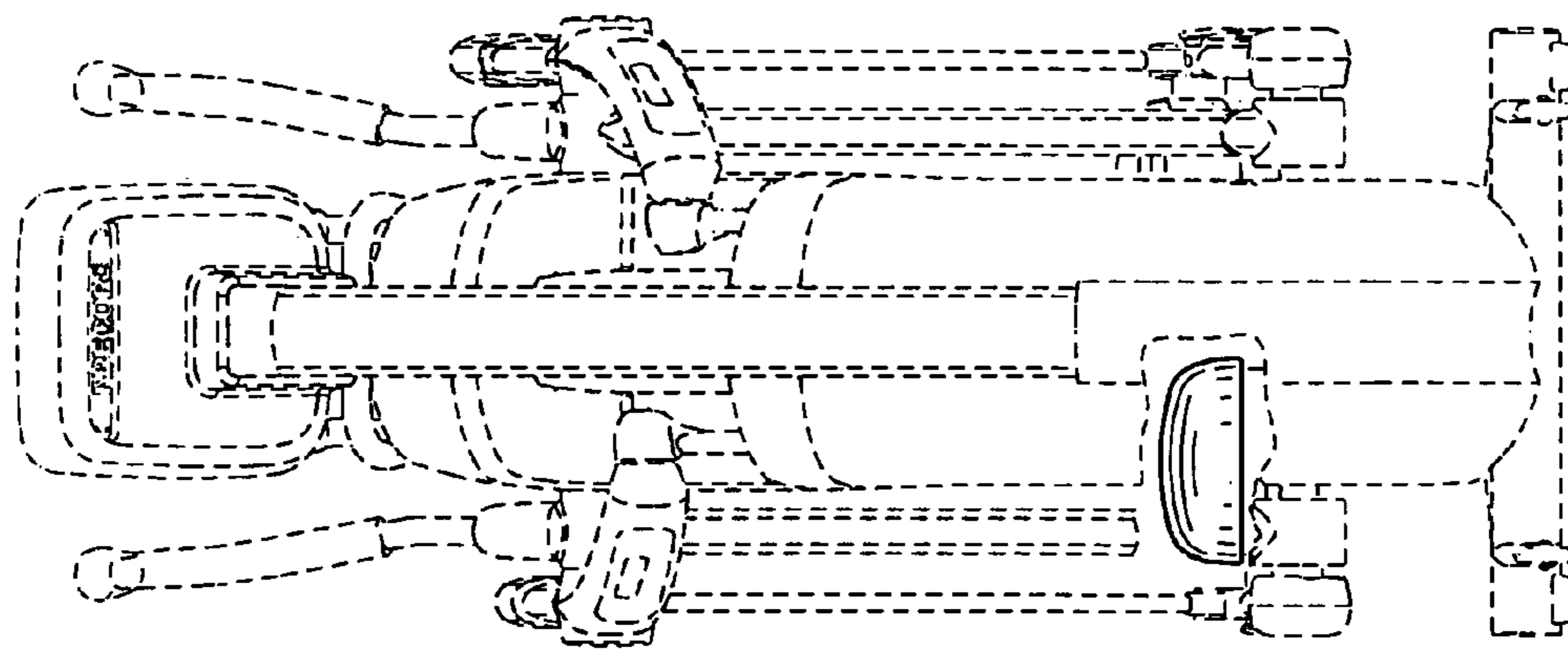


FIG. 5



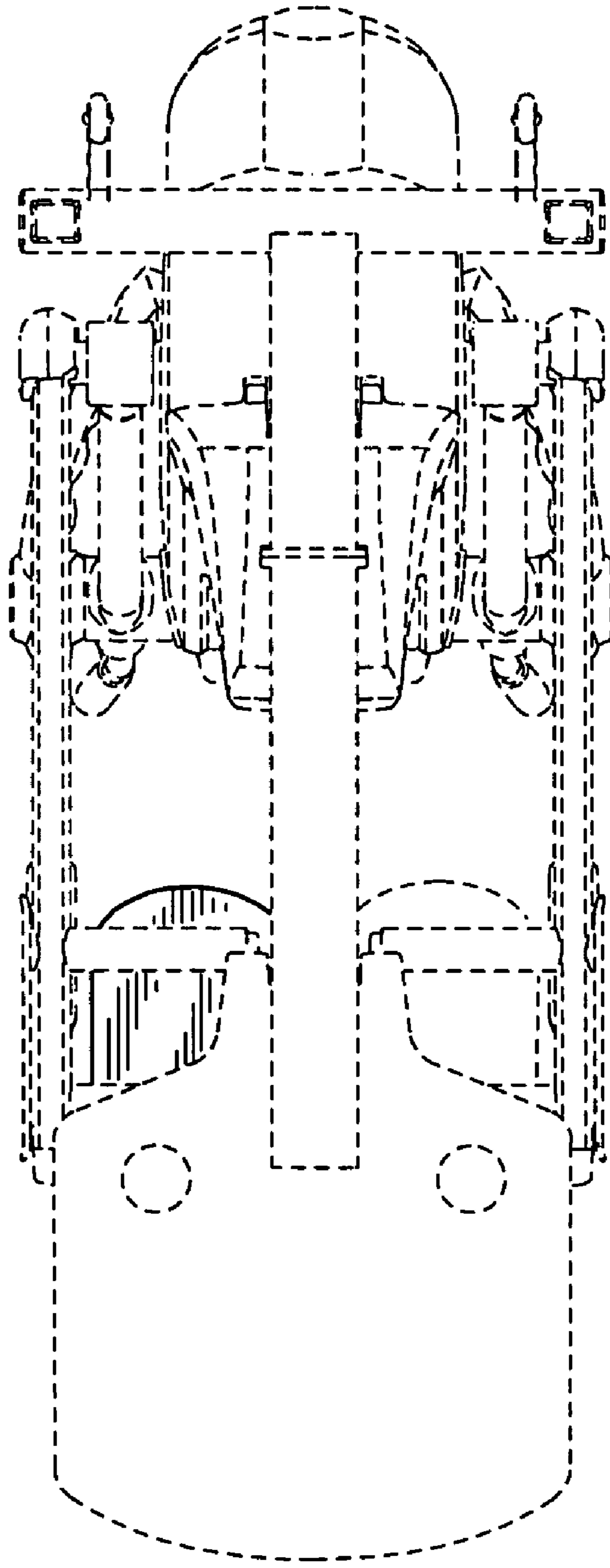


FIG. 7