



US00D575356S

(12) **United States Design Patent**
Martino

(10) **Patent No.:** **US D575,356 S**
(45) **Date of Patent:** **** Aug. 19, 2008**

(54) **FLYING TOY VEHICLE**

- (75) Inventor: **Anthony M. Martino**, Thousand Oaks, CA (US)
- (73) Assignee: **Mattel, Inc.**, El Segundo, CA (US)
- (**) Term: **14 Years**
- (21) Appl. No.: **29/253,041**
- (22) Filed: **Jan. 31, 2006**

- (51) **LOC (8) Cl.** **21-01**
- (52) **U.S. Cl.** **D21/550**
- (58) **Field of Classification Search** D21/533,
D21/548-551, 562; D12/82, 83, 86, 88,
D12/91-93; 446/93, 95, 431, 454-456, 465-471;
296/181.1, 181.2

See application file for complete search history.

(56) **References Cited**

U.S. PATENT DOCUMENTS

2,354,453 A	2/1944	Gazda	
3,244,246 A	4/1966	Welland	
D235,858 S	7/1975	Lyford, III	
D245,637 S	8/1977	Jewett	
D255,810 S *	7/1980	Bretschger	D21/550
D261,672 S *	11/1981	Phillippe	D21/550
D262,127 S *	12/1981	Phillippe	D21/550
D268,940 S	5/1983	Head	
4,585,423 A	4/1986	Kwan	
4,899,954 A	2/1990	Pruszenski, Jr.	
D313,255 S *	12/1990	Honma	D21/550
D313,256 S *	12/1990	Honma	D21/550
D319,853 S	9/1991	Southgate	
5,050,817 A	9/1991	Miller	
5,065,833 A	11/1991	Matsuoka et al.	
5,269,249 A	12/1993	Micheletti et al.	
5,357,894 A	10/1994	Jacobson	

(Continued)

OTHER PUBLICATIONS

- Post of Michael Connally's Miss Fan Fold, by Richard N on "Rc Group—LMRA Aeromodelers Indoor Float Fly" www.rcgroups.com/forums/showthread.php?r+376351, Post #67, dated May 29, 2005, pp. 1-3 (of 9) plus five enlarged pics.
- Article entitled "Flying Porsche", Radio Control Modeler, dated Oct. 1988, cover and pp. 136-141.
- Manual entitled "Indy Sports Car. 40", FlyingThingZ, Inc., Stroudsburg, PA pp. 1-3 (2004).
- Catalog sheet entitled: "Airhogs Hydro Freak", Spin Master LTD, Toronto, CA (Jan. 2006) (1 page).
- Article "Jakks Pacific's RTF, XPV is A OK! (Xtreme Performance Vehicle)", RC Groups.com pp. 1-6 (Sep. 2006).
- Website entitled, "Flying Boat" Waigo Model Hobbies, LTD, Kowloon, Hong Kong, 3 pages, Sep. 2005.
- Website entitled: "Seagull Cassiopela" 7 pages, Sep. 2005.
- Catalog sheet for "Hot Wheels Jet Car" puzzle 42914, Mattel, Inc. 1 page, 2003.
- Web photo "lil misfit1.danny.troy. Jun. 16, 2005" 1 page.
- Web photo "Miss Hydra Foam" 1 page, Jun. 16, 2005.

Primary Examiner—Holly H. Baynham

Assistant Examiner—Cynthia M. Chin

(74) *Attorney, Agent, or Firm*—Akin Gump Strauss Hauer & Feld LLP

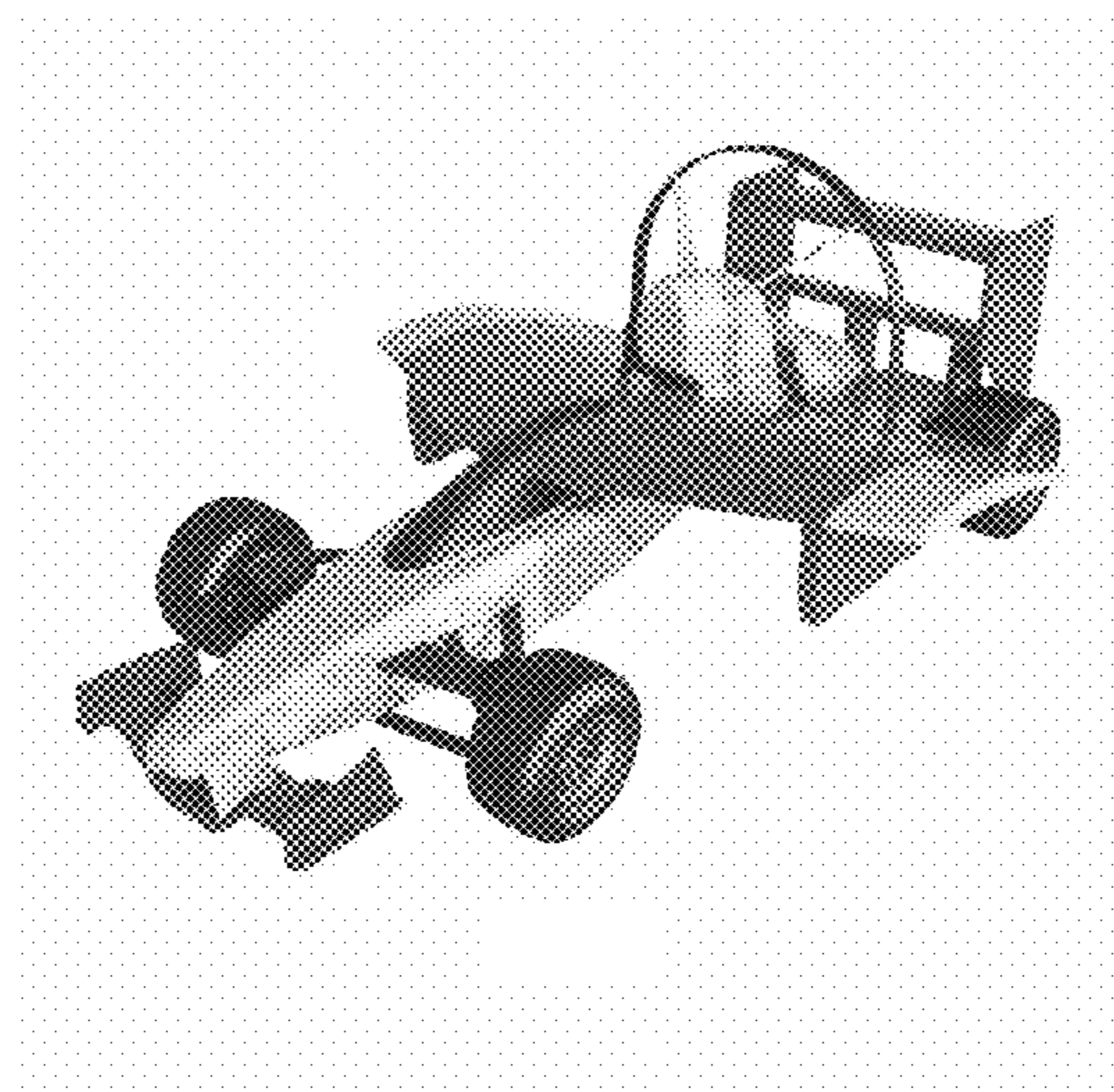
(57) **CLAIM**

The ornamental design for a flying toy vehicle, as shown and described.

DESCRIPTION

- FIG. 1 is an elevated perspective view of the front and left side of a flying toy vehicle in accordance with the new design;
- FIG. 2 is a view of the front thereof;
- FIG. 3 is a view of the left side thereof, the right side being a mirror image;
- FIG. 4 is a view of the rear thereof;
- FIG. 5 is a view of the top thereof;
- FIG. 6 is a view of the bottom thereof; and,
- FIG. 7 is a perspective view of the rear and left side thereof.

1 Claim, 6 Drawing Sheets



US D575,356 S

Page 2

U.S. PATENT DOCUMENTS

D359,082 S *	6/1995	Aker et al.	D21/550	D438,144 S	2/2001	Hettler	
D365,782 S	1/1996	Reynard et al.		D465,814 S *	11/2002	Koveleski	D21/433
5,562,061 A	10/1996	Crocker		6,517,026 B1	2/2003	Smith	
D397,380 S *	8/1998	Araki et al.	D21/550	6,568,980 B2	5/2003	Barthold	
6,131,848 A	10/2000	Crow		D492,970 S	7/2004	Tabor	
6,158,540 A	12/2000	Rice et al.		D496,075 S *	9/2004	Byrne	D21/550
				D509,264 S *	9/2005	Wei	D21/550

* cited by examiner

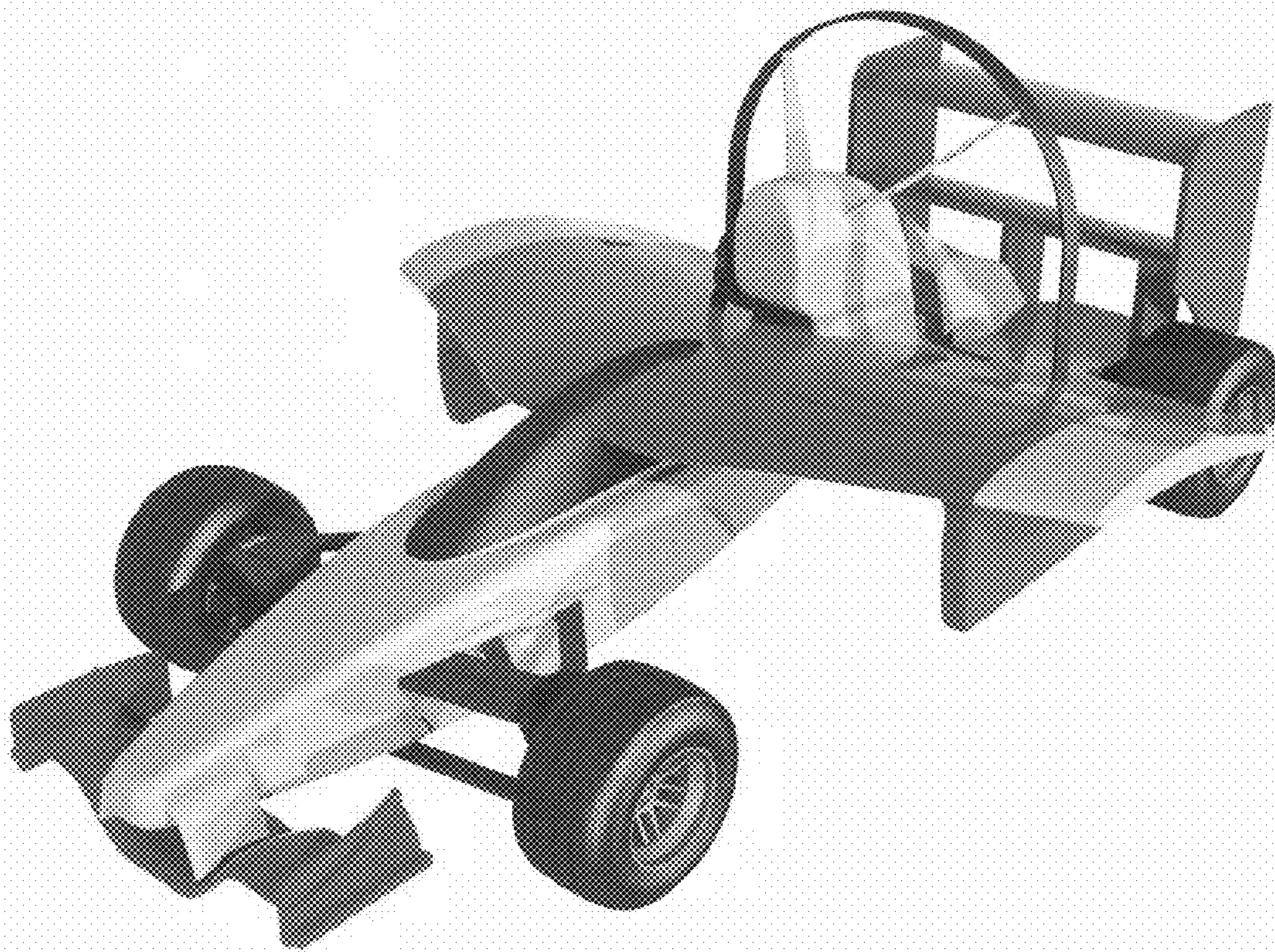


Fig. 1

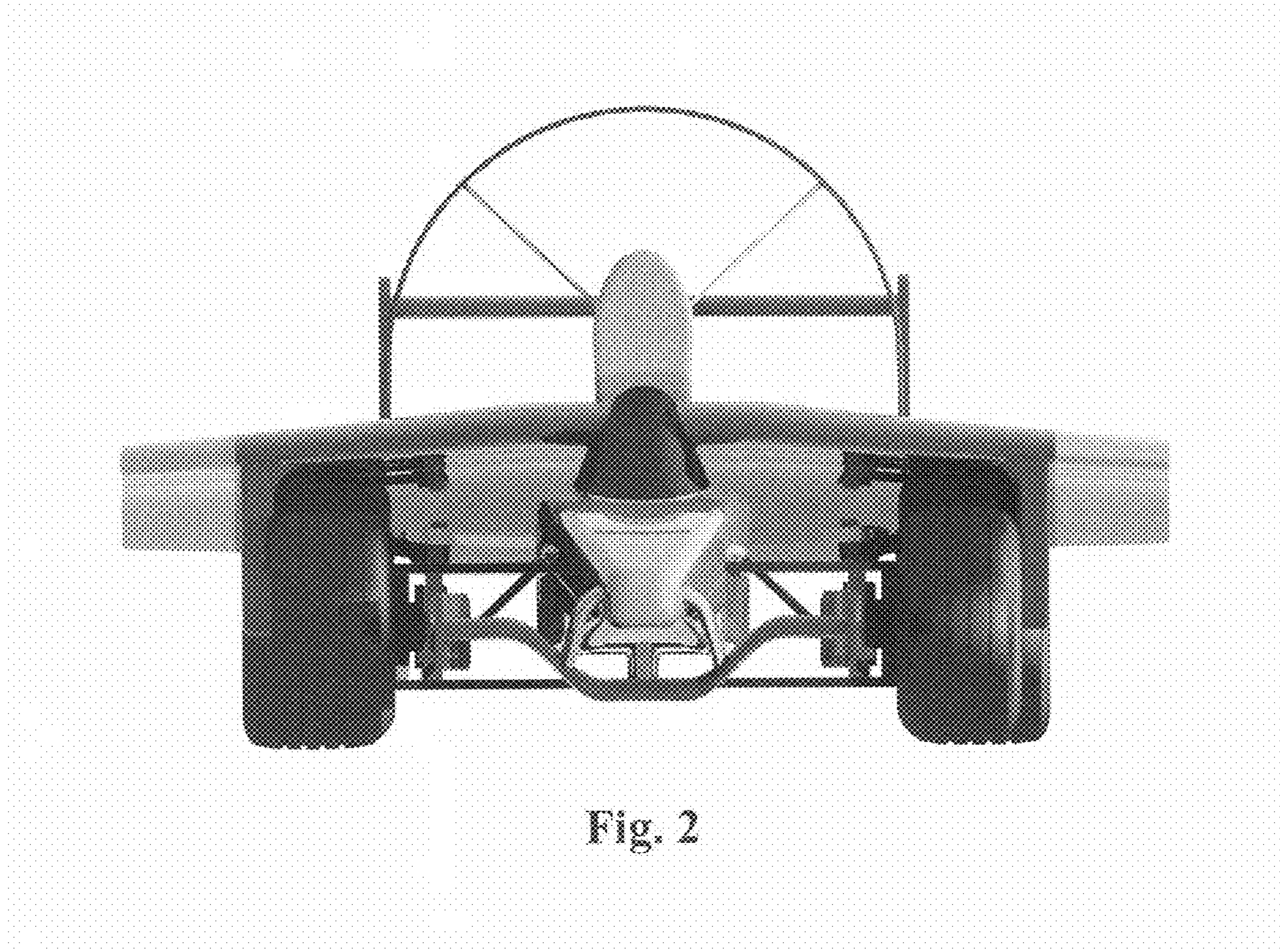


Fig. 2

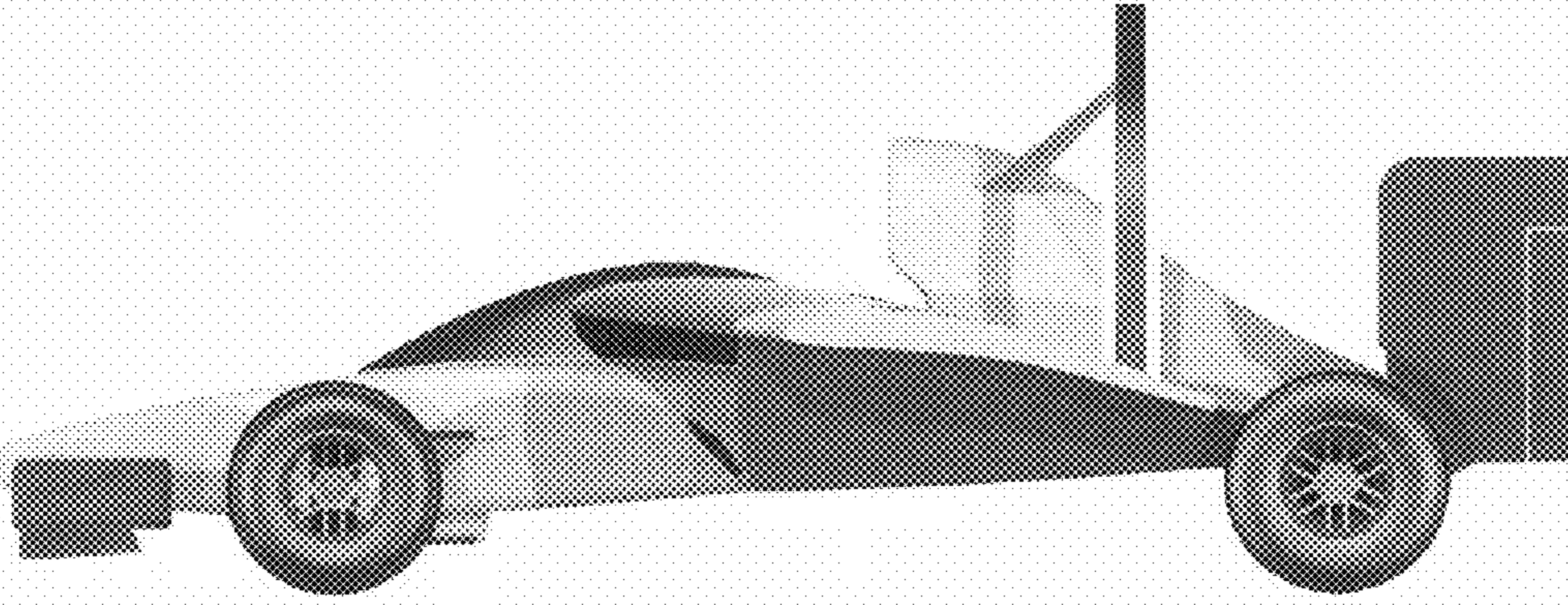


Fig. 3

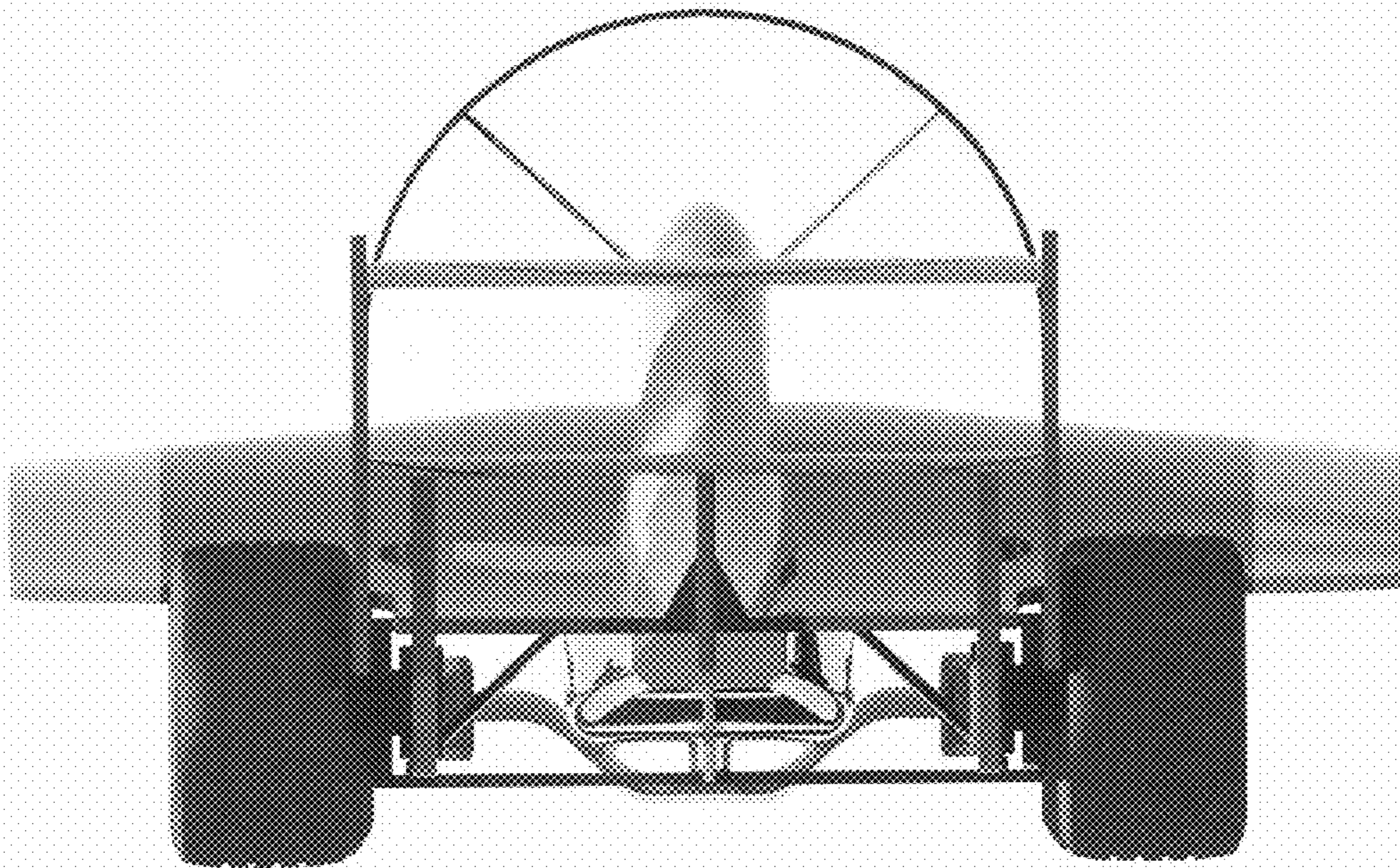


Fig. 4

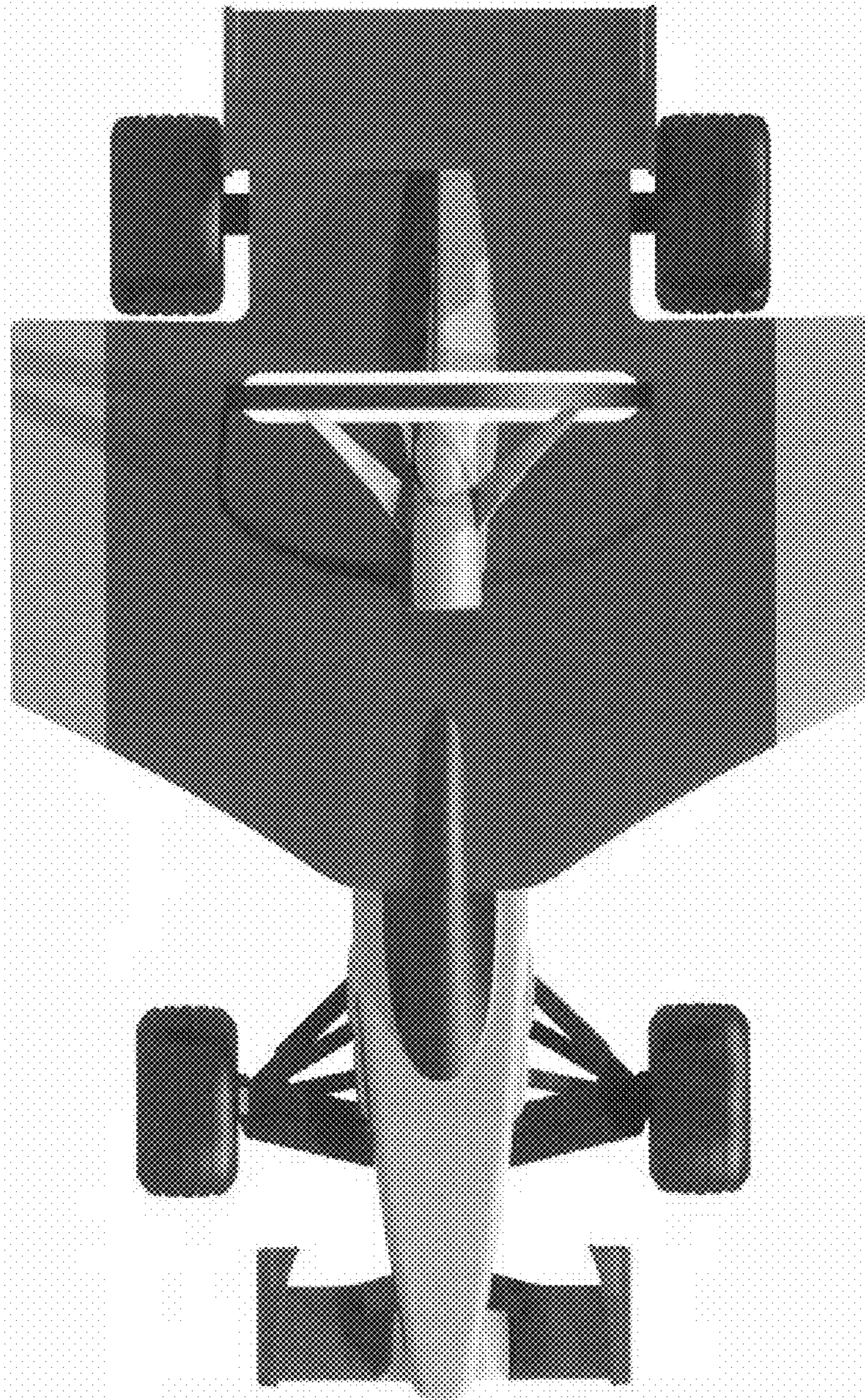


Fig. 5

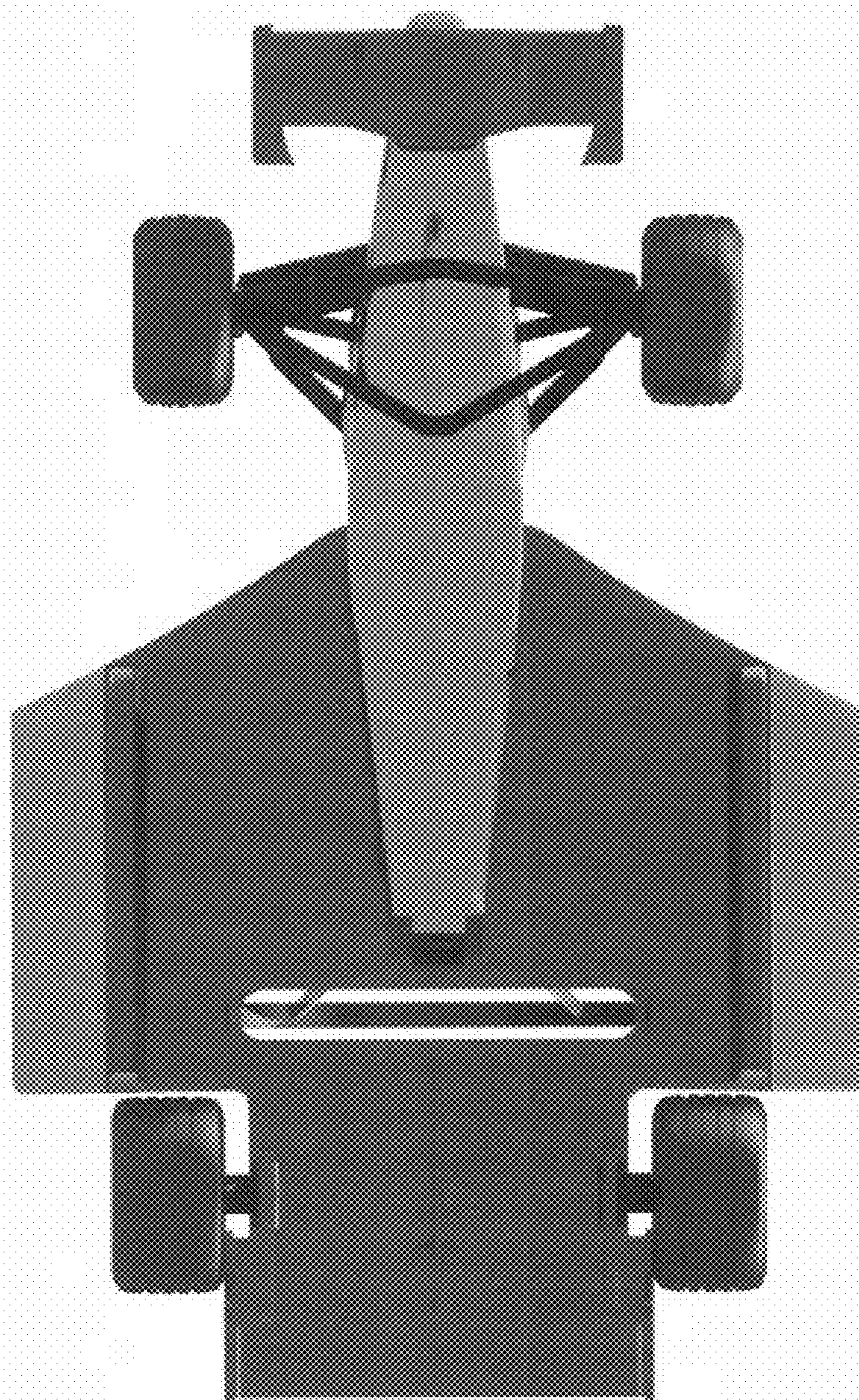


Fig. 6

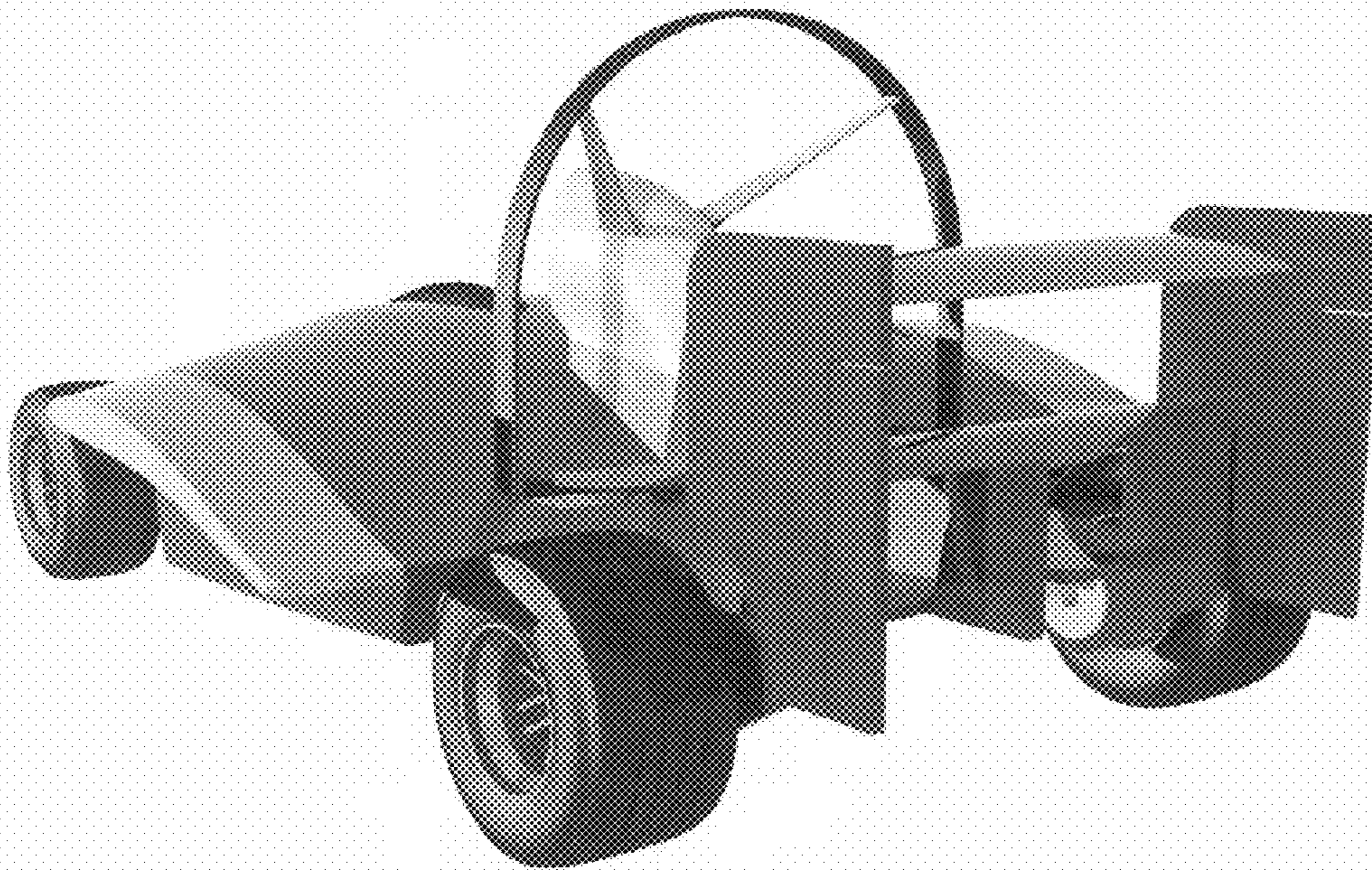


Fig. 7