



US00D575355S

(12) **United States Design Patent**  
**Duggan**

(10) **Patent No.:** **US D575,355 S**

(45) **Date of Patent:** **\*\* Aug. 19, 2008**

(54) **PUZZLE**

(76) **Inventor:** **J. Edmund Duggan**, 1987 Dellwood Dr., Atlanta, GA (US) 30309

(\*\*) **Term:** **14 Years**

(21) **Appl. No.:** **29/294,392**

(22) **Filed:** **Jan. 9, 2008**

(51) **LOC (8) Cl.** ..... **21-01**

(52) **U.S. Cl.** ..... **D21/482**

(58) **Field of Classification Search** ..... D21/478-482;  
273/153 R, 155, 156, 157 R, 158, 159, 153 S  
See application file for complete search history.

(56) **References Cited**

**U.S. PATENT DOCUMENTS**

419,373 A \* 1/1890 Souders ..... 273/158

611,334 A \* 9/1898 Richardson ..... 273/159

872,717 A \* 12/1907 Davis ..... 273/158

962,039 A \* 6/1910 McFarland ..... 273/158

1,105,878 A \* 8/1914 Celus ..... 273/159

5,152,531 A \* 10/1992 Mo ..... 273/158

5,720,645 A \* 2/1998 Duggan ..... 446/396

D415,215 S \* 10/1999 Duggan ..... D21/482

\* cited by examiner

*Primary Examiner*—Catherine Tuttle

(57) **CLAIM**

The ornamental design for a puzzle, as shown.

**DESCRIPTION**

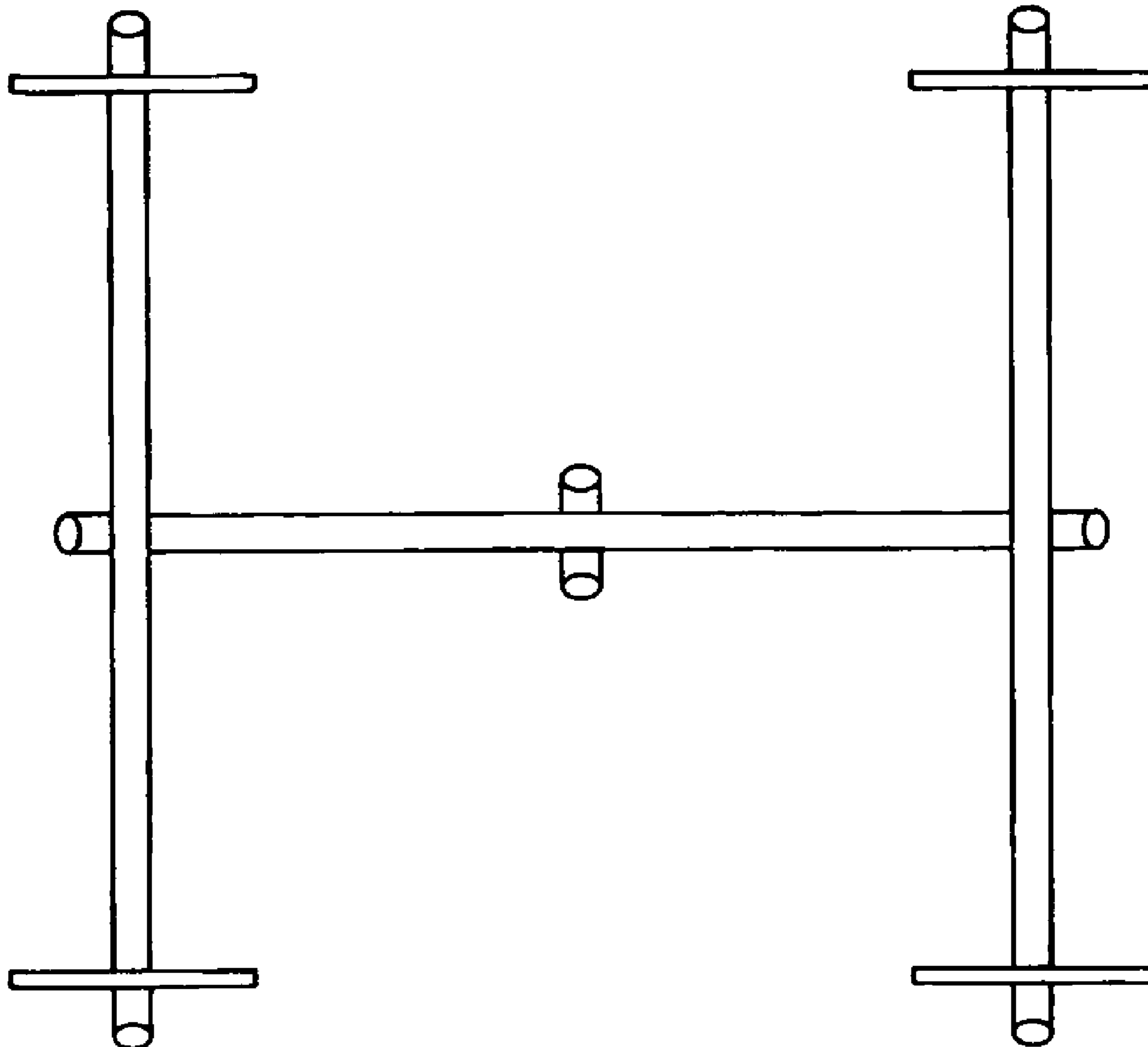
FIG. 1 is a top view of a puzzle showing my new design;

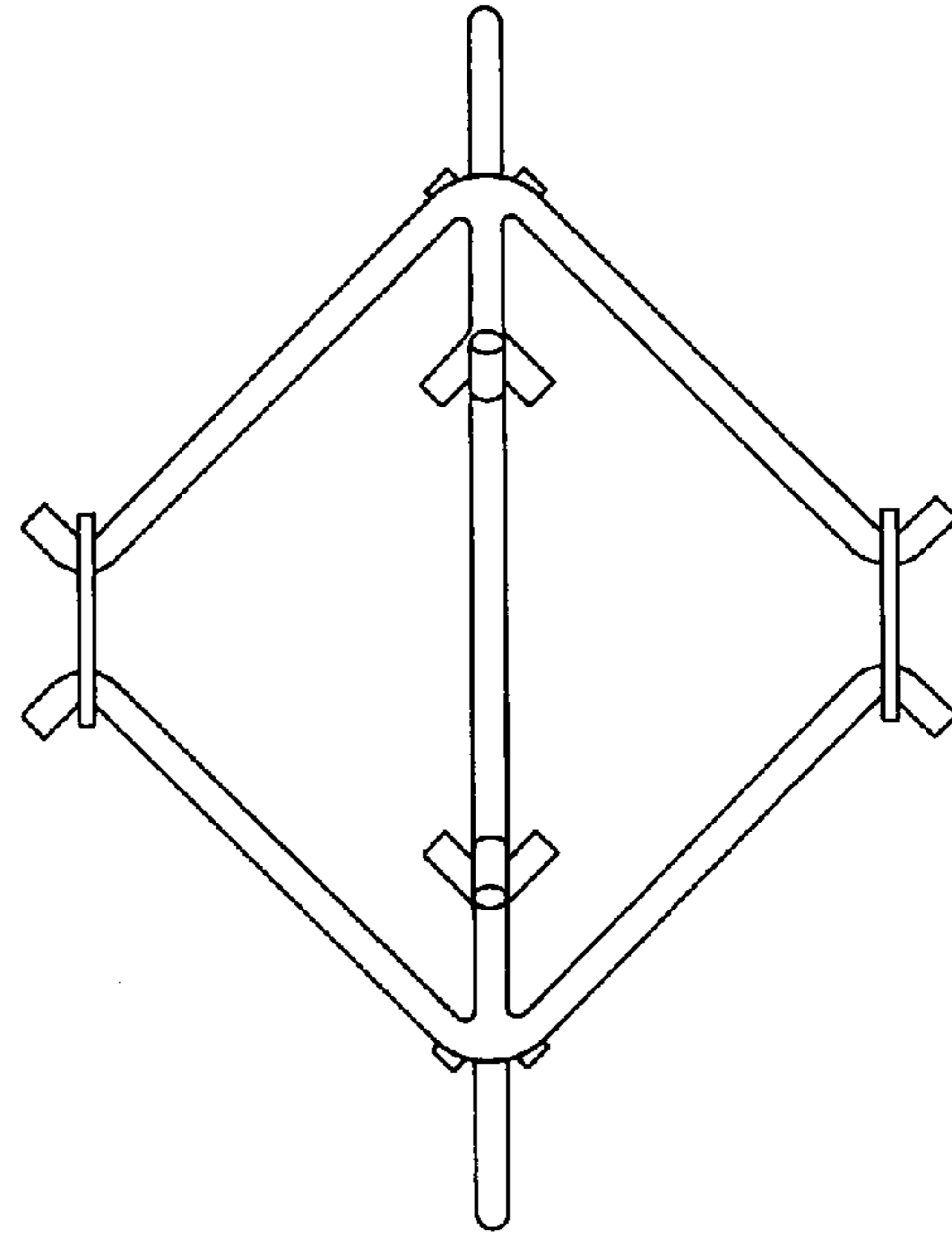
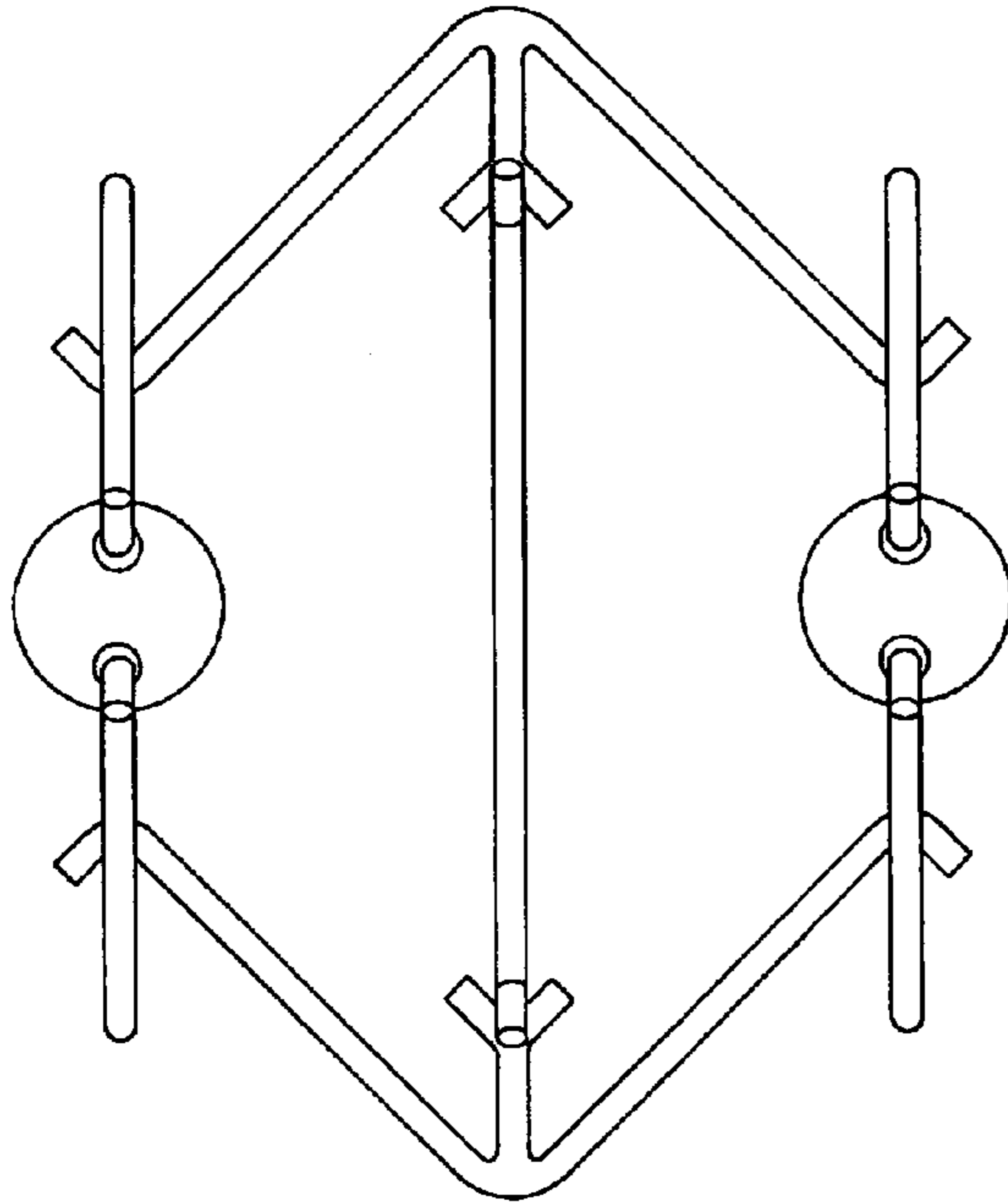
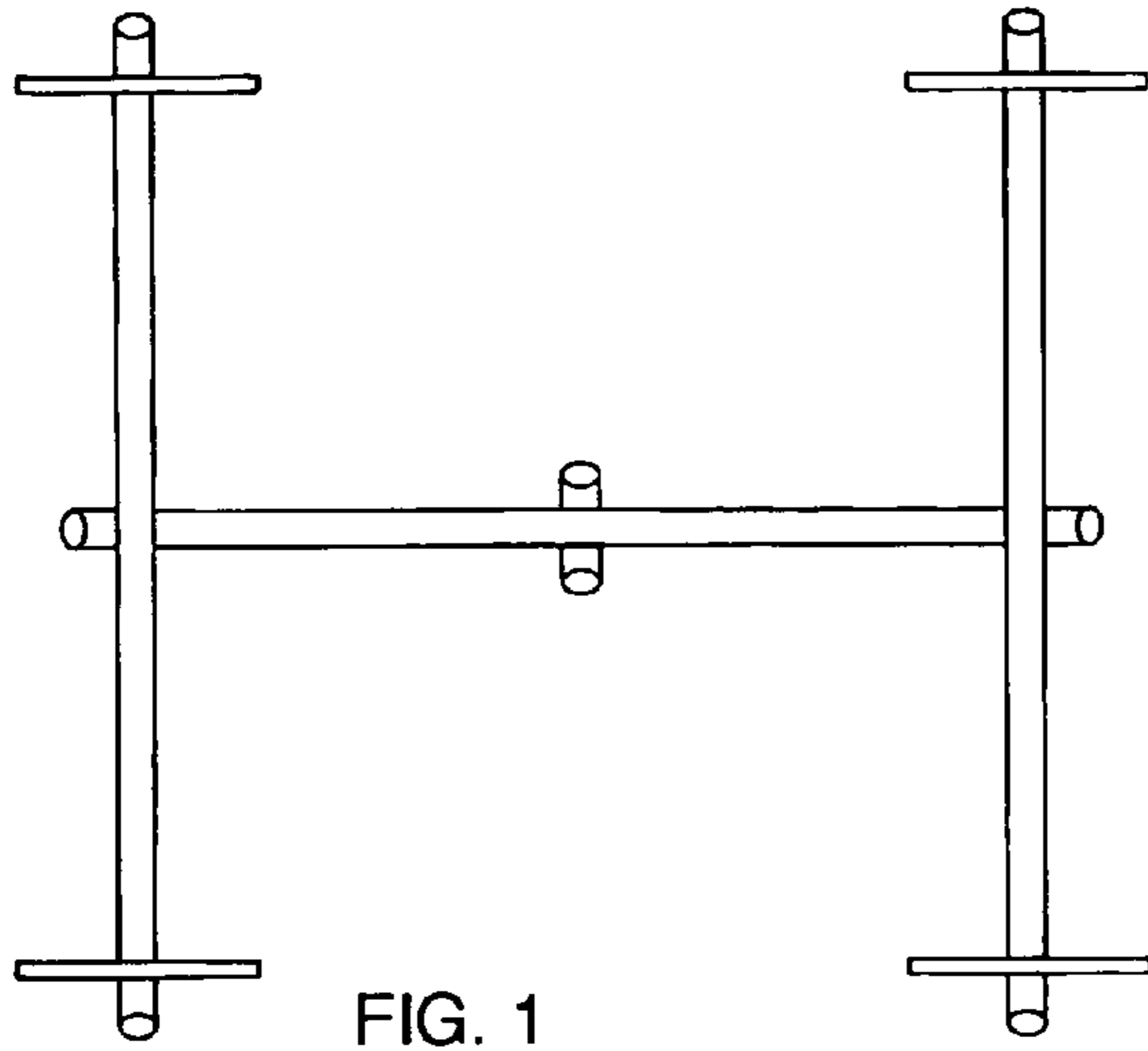
FIG. 2 is a front elevational view thereof;

FIG. 3 is a right side elevational view thereof; and,

FIG. 4 is a front, left perspective view thereof.

**1 Claim, 2 Drawing Sheets**





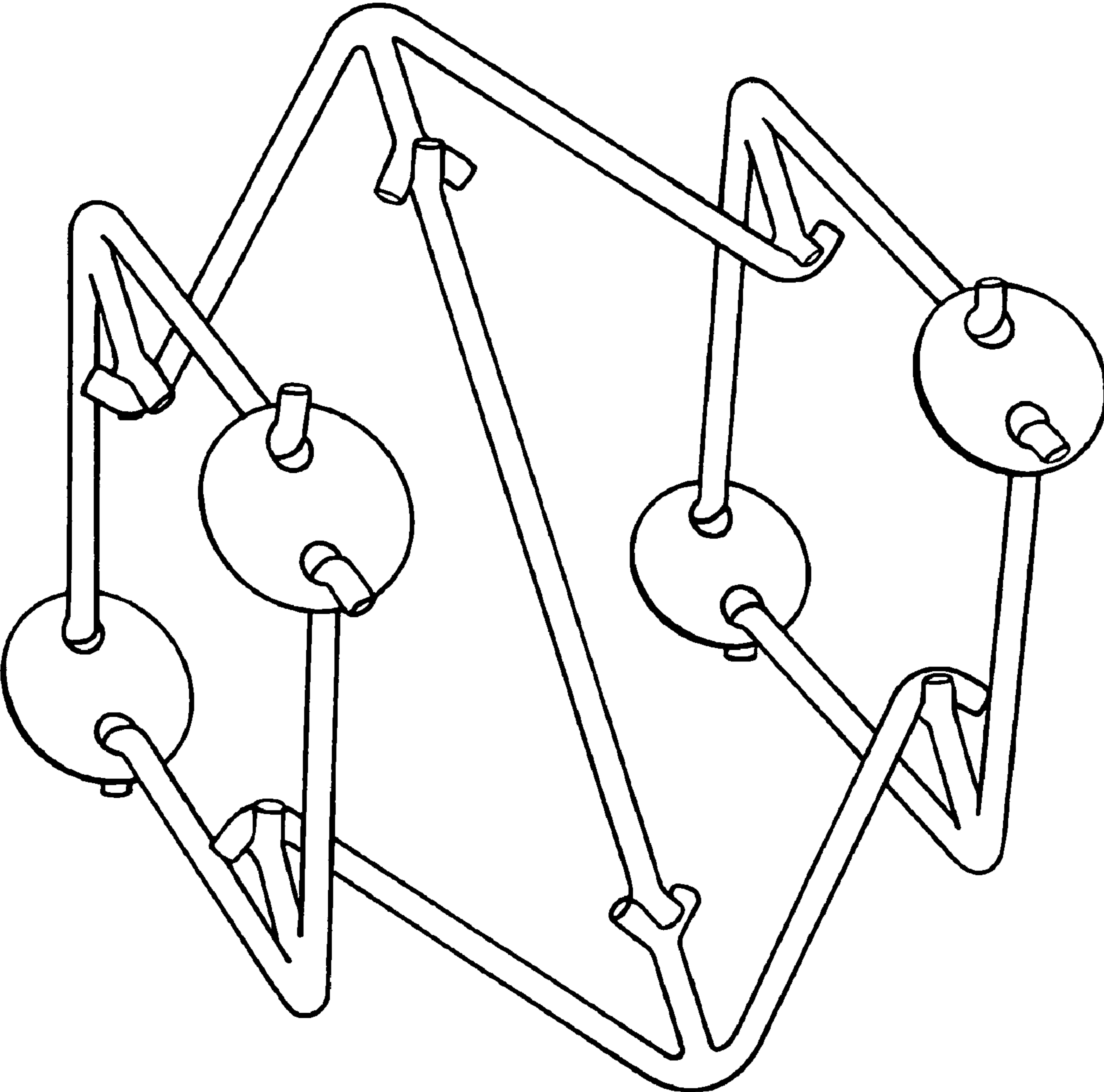


FIG. 4