



US00D575352S

(12) **United States Design Patent**
Sramek et al.

(10) **Patent No.:** **US D575,352 S**

(45) **Date of Patent:** **** Aug. 19, 2008**

(54) **THREE-WHEEL SCOOTER**

(75) Inventors: **Steve Sramek**, Long Beach, CA (US);
Robert Hadley, Yorba Linda, CA (US)

(73) Assignee: **Razor USA LLC**, Cerritos, CA (US)

(**) Term: **14 Years**

(21) Appl. No.: **29/298,540**

(22) Filed: **Dec. 6, 2007**

(51) **LOC (8) Cl.** **21-01**

(52) **U.S. Cl.** **D21/423**

(58) **Field of Classification Search** D21/419,
D21/421, 423, 424, 426, 433, 435, 533, 538,
D21/760, 765, 771; D12/107, 111–113,
D12/114, 117, 118–121; 280/87.021, 87.041,
280/239, 263, 282, 288.1–288.4; 180/180,
180/181

See application file for complete search history.

(56) **References Cited**

U.S. PATENT DOCUMENTS

2,597,748 A * 5/1952 Powell 280/87.041
4,088,338 A * 5/1978 Winchell et al. 280/220
4,165,093 A * 8/1979 Biskup 280/220
D291,211 S * 8/1987 Man D21/423
5,785,331 A * 7/1998 Rappaport 280/87.041
6,467,781 B1 * 10/2002 Feng 280/87.01

6,554,302 B1 * 4/2003 Liu 280/87.041
D497,957 S * 11/2004 Chuang D21/423
D553,198 S * 10/2007 Atri D21/435
2002/0063411 A1 * 5/2002 Feng 280/278
2002/0070519 A1 * 6/2002 Rappaport 280/87.041
2003/0090076 A1 * 5/2003 Beleski, Jr. 280/87.041

* cited by examiner

Primary Examiner—Holly H. Baynham

Assistant Examiner—Cynthia M Chin

(74) *Attorney, Agent, or Firm*—Charles C. H. Wu; Wu & Cheung, LLP

(57) **CLAIM**

The ornamental design for a three-wheel scooter, as shown and described.

DESCRIPTION

FIG. 1 is a perspective view of the three-wheel scooter showing the new design;

FIG. 2 is a front elevational view thereof;

FIG. 3 is a top plan view thereof;

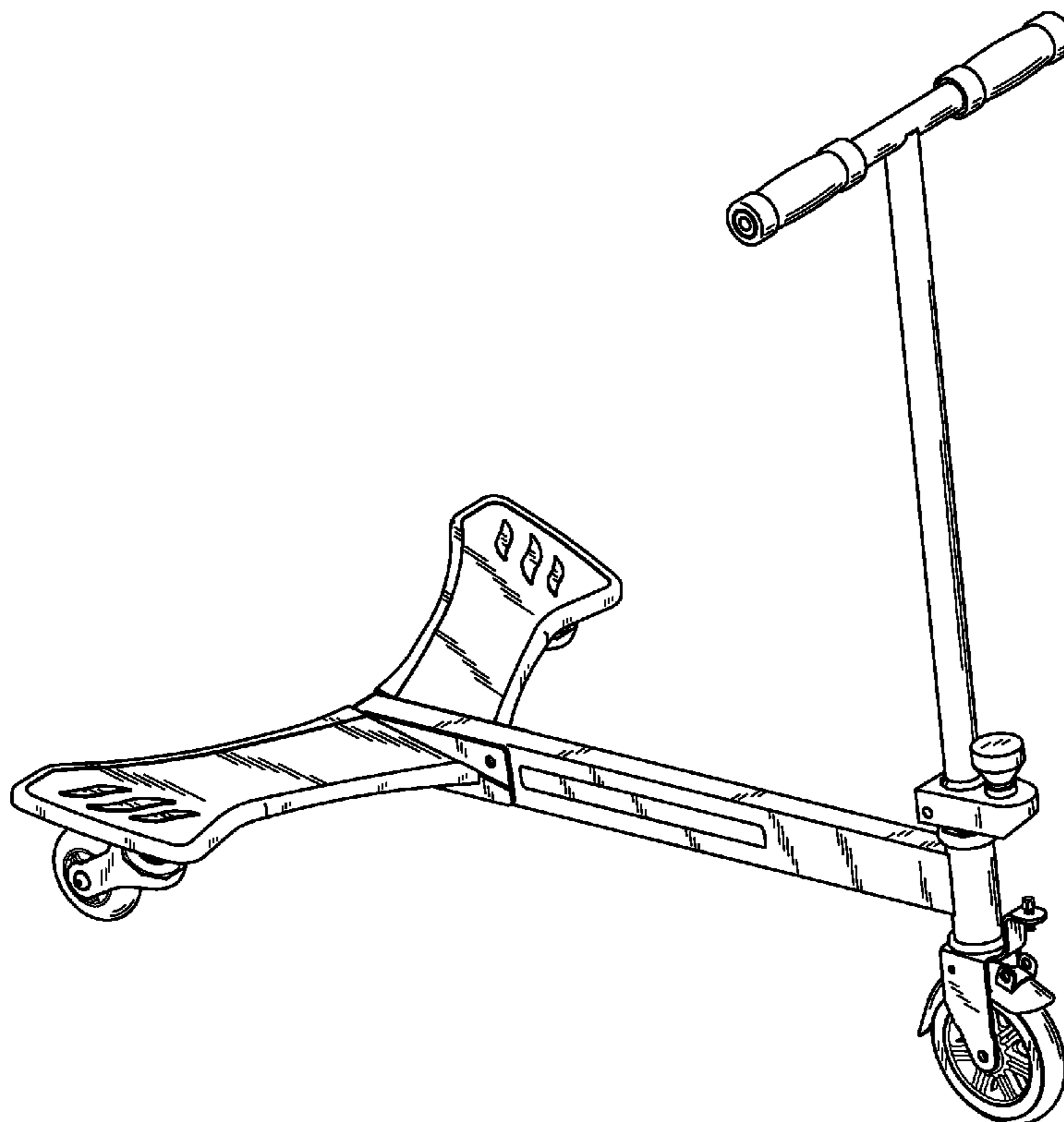
FIG. 4 is a left side elevational view thereof;

FIG. 5 is a bottom plan view thereof;

FIG. 6 is a rear elevational view thereof; and,

FIG. 7 is right side elevational view thereof.

1 Claim, 7 Drawing Sheets



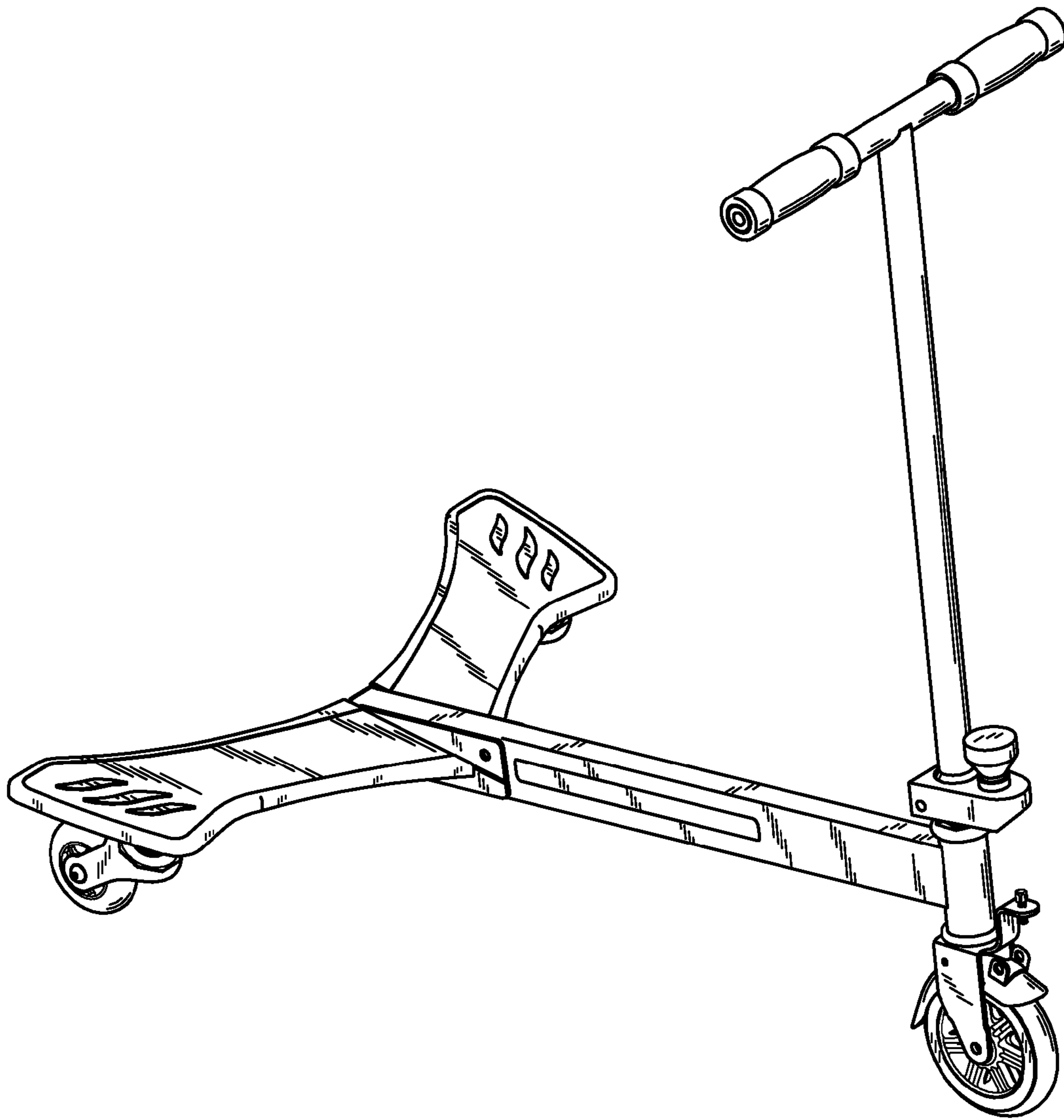


FIG. 1

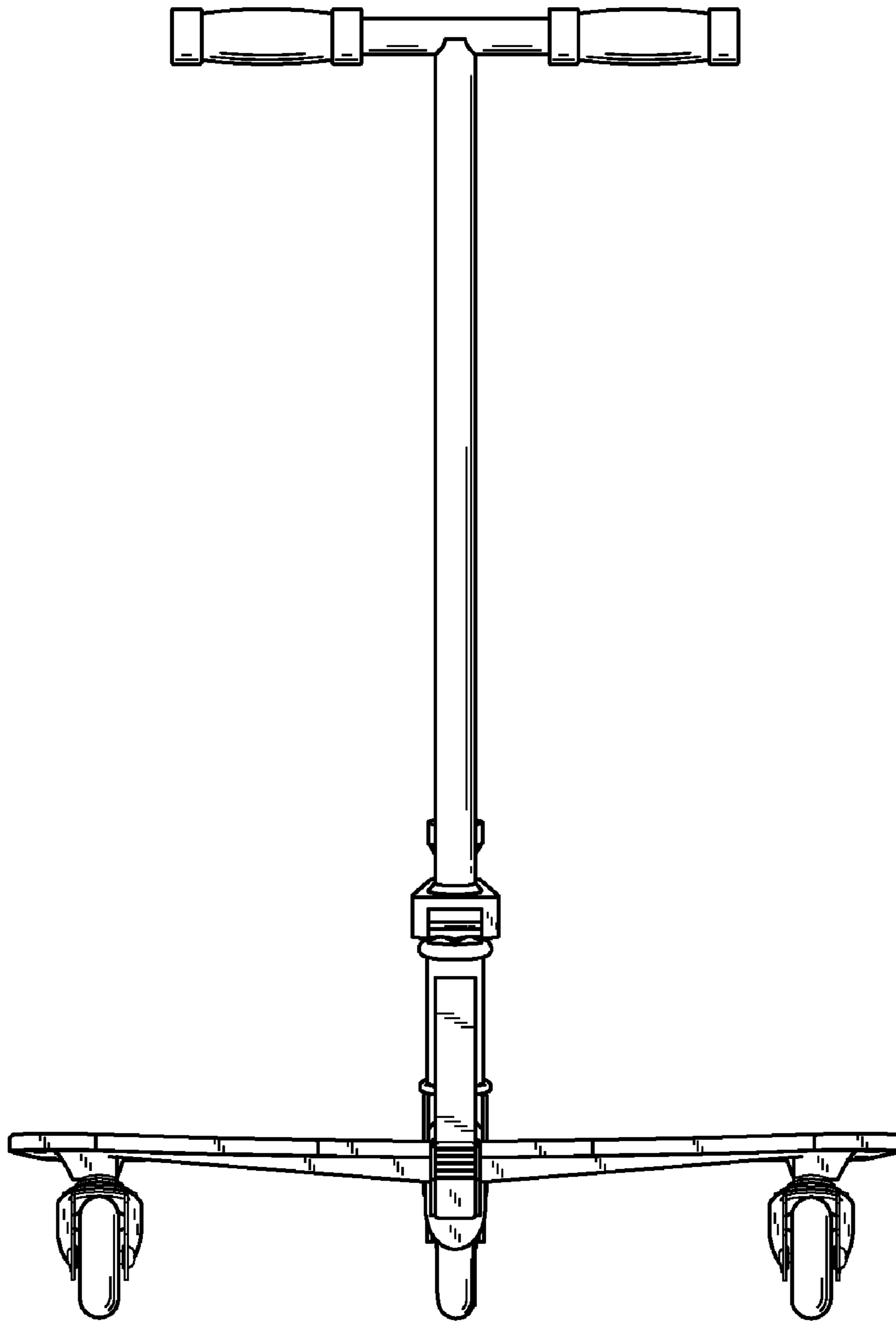


FIG. 2

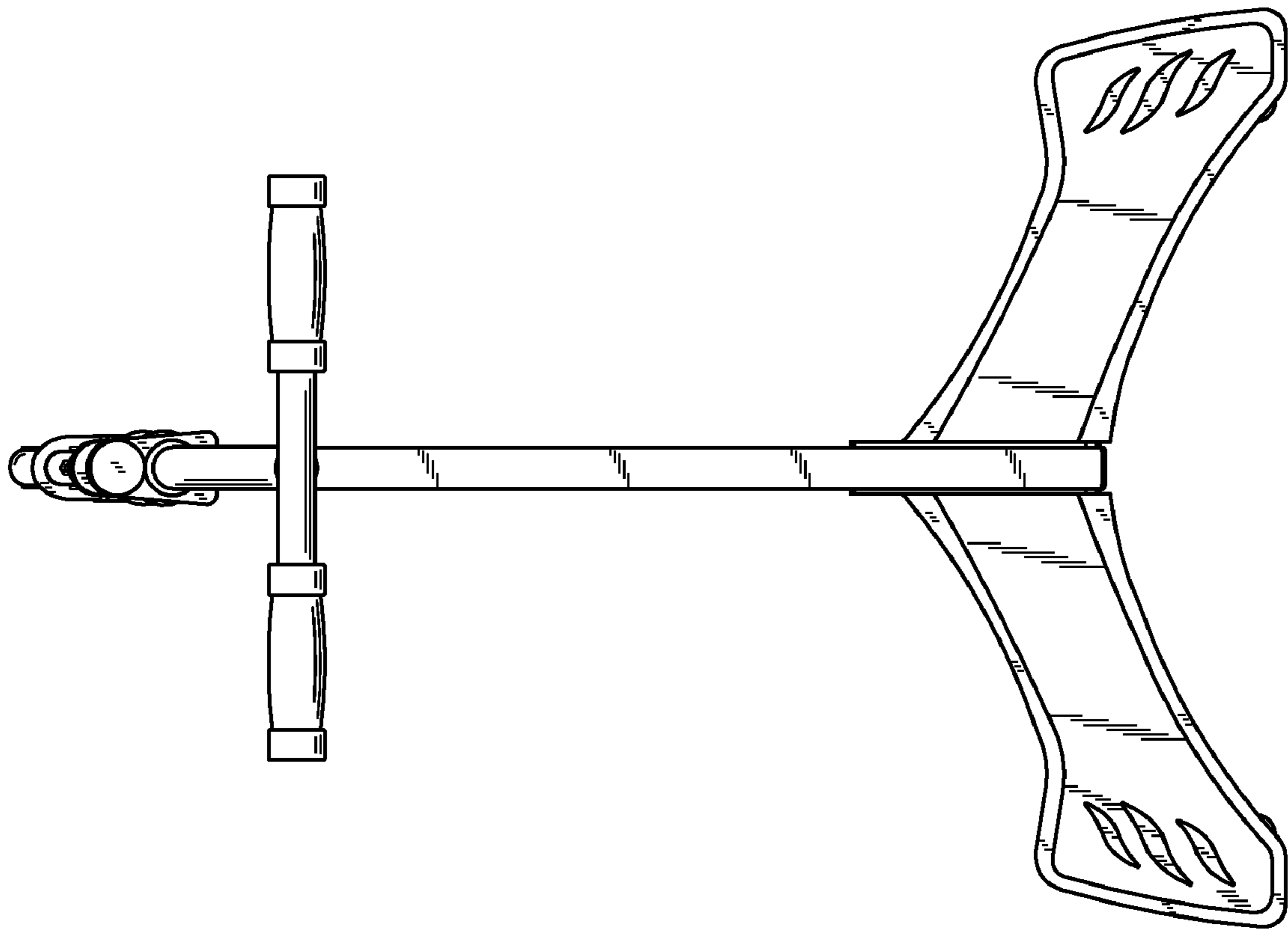


FIG. 3

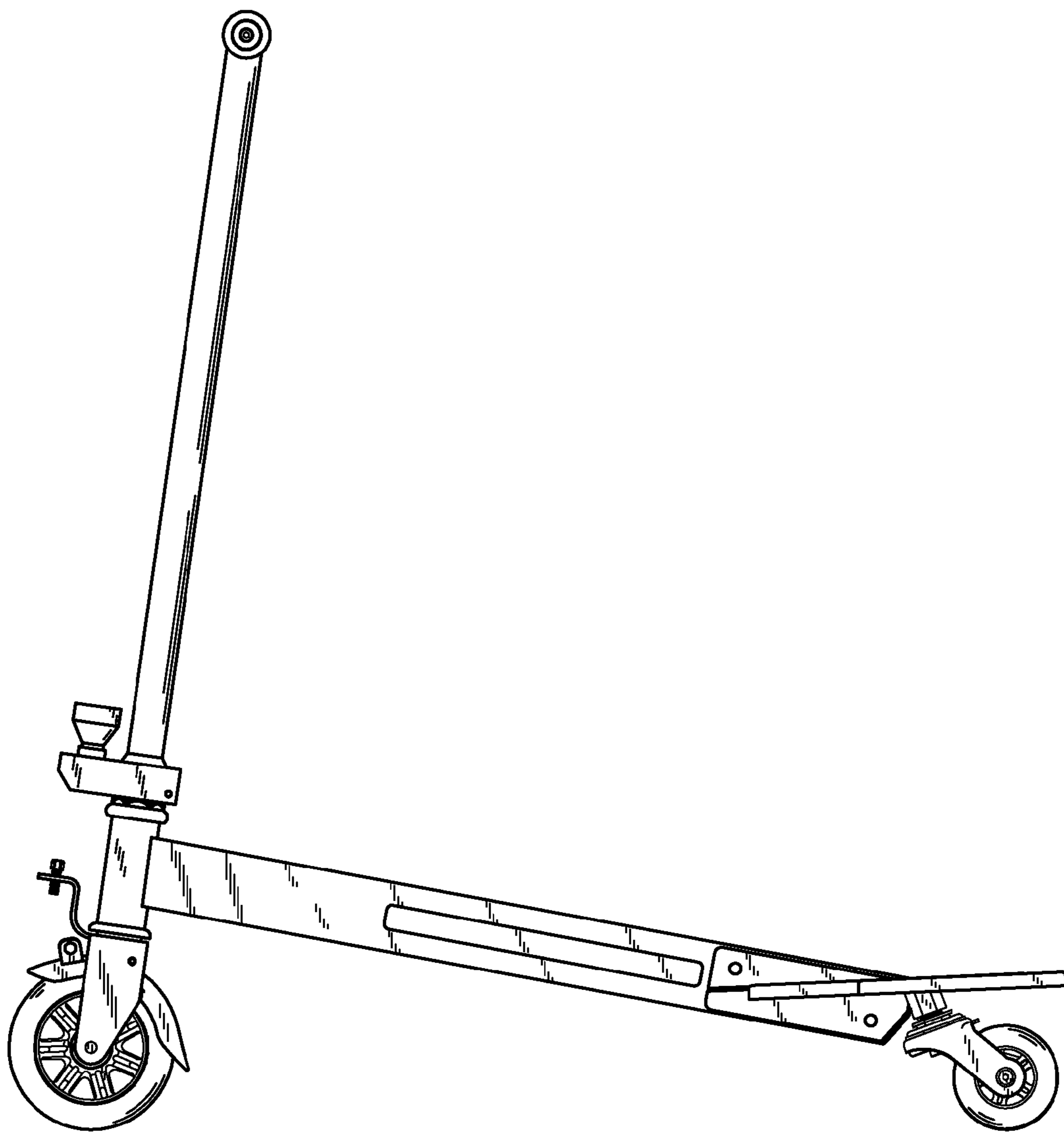


FIG. 4

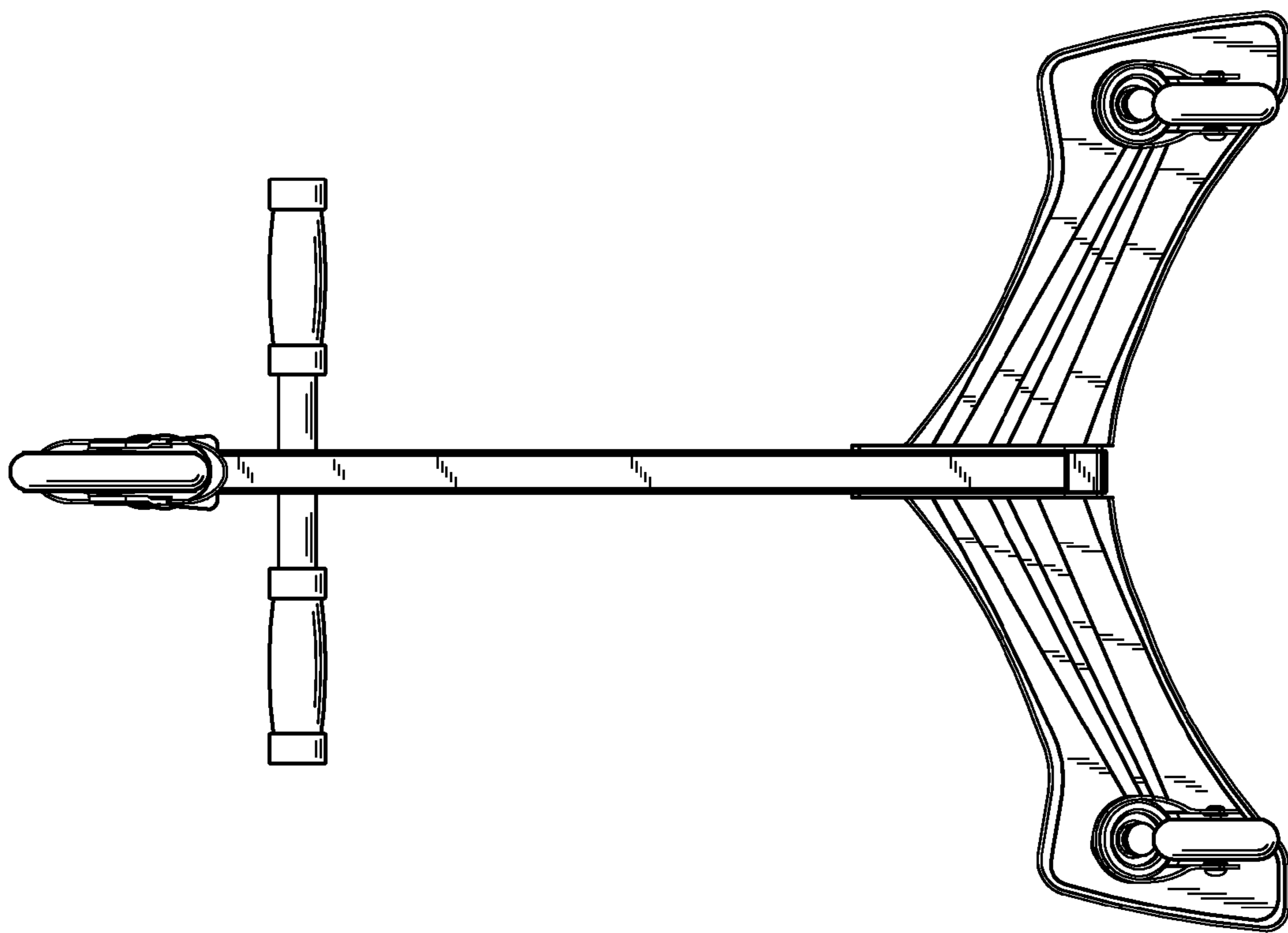


FIG. 5

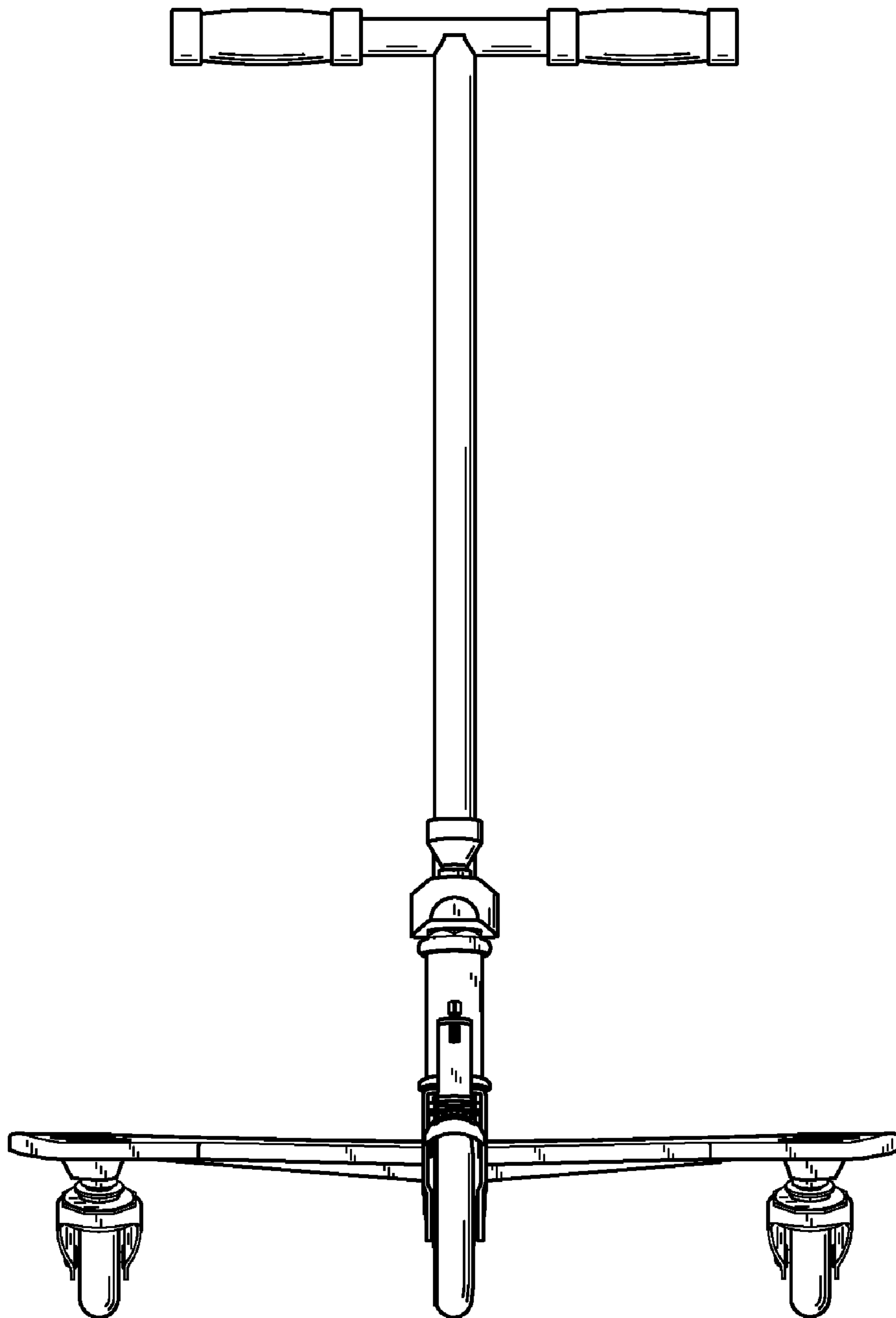


FIG. 6

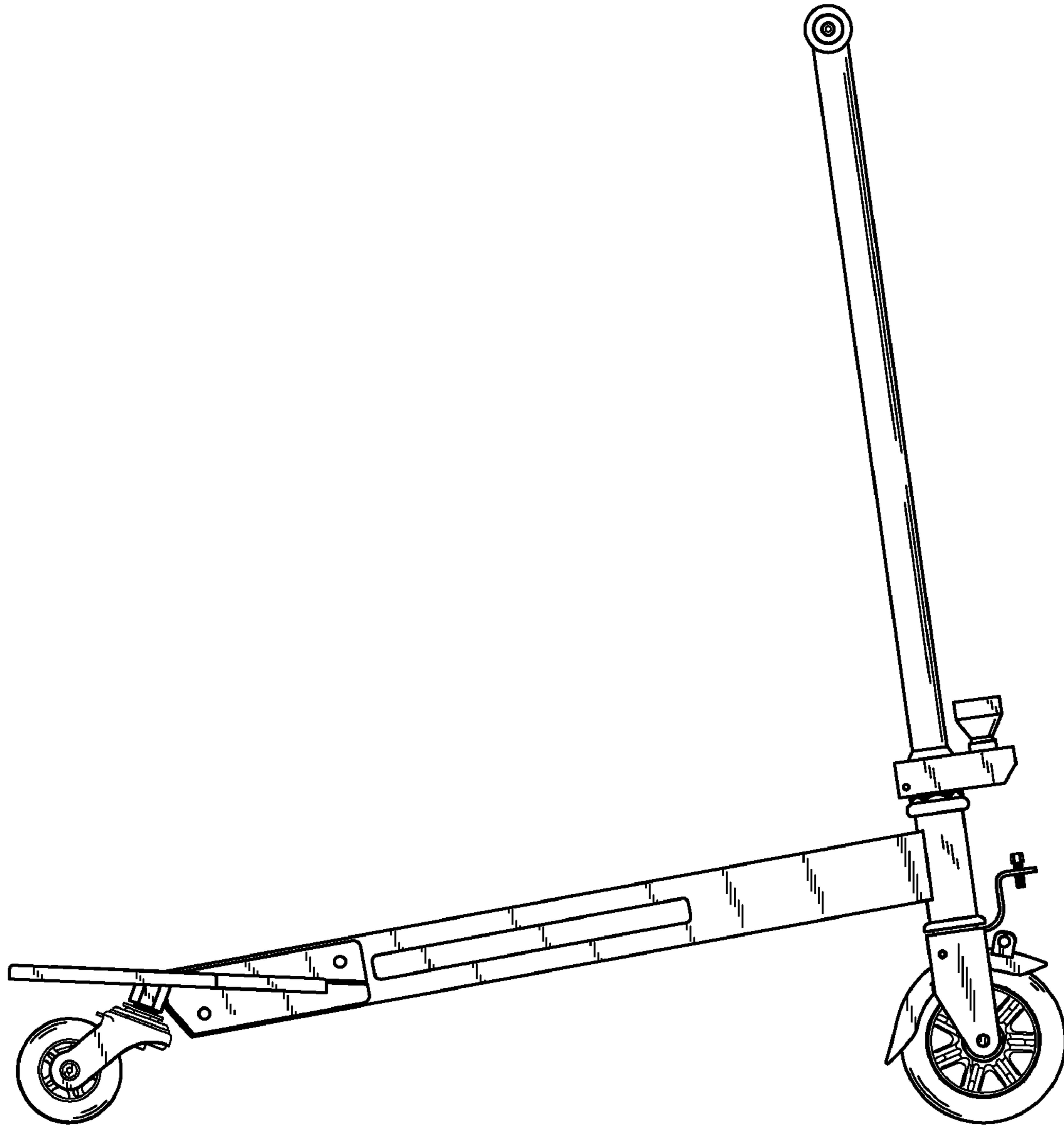


FIG. 7