



US00D575348S

(12) **United States Design Patent**
Tanaka

(10) **Patent No.:** **US D575,348 S**
(45) **Date of Patent:** **** Aug. 19, 2008**

(54) **PORTABLE DISPLAY UNIT**

(75) Inventor: **Yoshiyuki Tanaka**, Suwa (JP)

(73) Assignee: **Seiko Epson Corporation** (JP)

(**) Term: **14 Years**

(21) Appl. No.: **29/271,287**

(22) Filed: **Jan. 12, 2007**

(51) **LOC (8) Cl.** **20-02**

(52) **U.S. Cl.** **D20/10**

(58) **Field of Classification Search** D20/10,
D20/19, 21, 40, 42, 43, 99; 40/124.01, 306,
40/307, 309, 322, 538, 539, 541, 584, 642.01,
40/644, 660, 661, 661.05, 661.06; D8/382;
D11/3, 26; 2/171; 24/459; 206/6.1; 211/13.1,
211/85.2; 283/56, 62, 81; 345/30; 362/812;
380/58

See application file for complete search history.

(56) **References Cited**

U.S. PATENT DOCUMENTS

1,555,219	A *	9/1925	Kimball	40/539
D114,456	S *	4/1939	McCabe et al.	D20/21
3,753,205	A *	8/1973	Tuger	439/192
3,898,754	A *	8/1975	Johansson	40/322
4,918,758	A *	4/1990	Rendina	2/171
D383,053	S *	9/1997	Schrader et al.	D8/382
D386,536	S *	11/1997	Borgen	D20/43
6,948,828	B1 *	9/2005	Chambers et al.	362/219

D515,138	S *	2/2006	Harrison	D20/10
2005/0174302	A1 *	8/2005	Ishii	345/30
2007/0033847	A1 *	2/2007	Tanaka	40/661.05
2007/0151295	A1 *	7/2007	Picardi	63/15.4

* cited by examiner

Primary Examiner—Caron D. Veynar

Assistant Examiner—Mary Ann Calabrese

(74) *Attorney, Agent, or Firm*—Harness, Dickey & Pierce, P.L.C.

(57) **CLAIM**

The ornamental design for a portable display unit, as shown and described.

DESCRIPTION

FIG. 1 is a perspective view of one embodiment of a portable display unit embodying my new design;

FIG. 2 is a left side view thereof;

FIG. 3 is a right side view thereof;

FIG. 4 is a front view thereof;

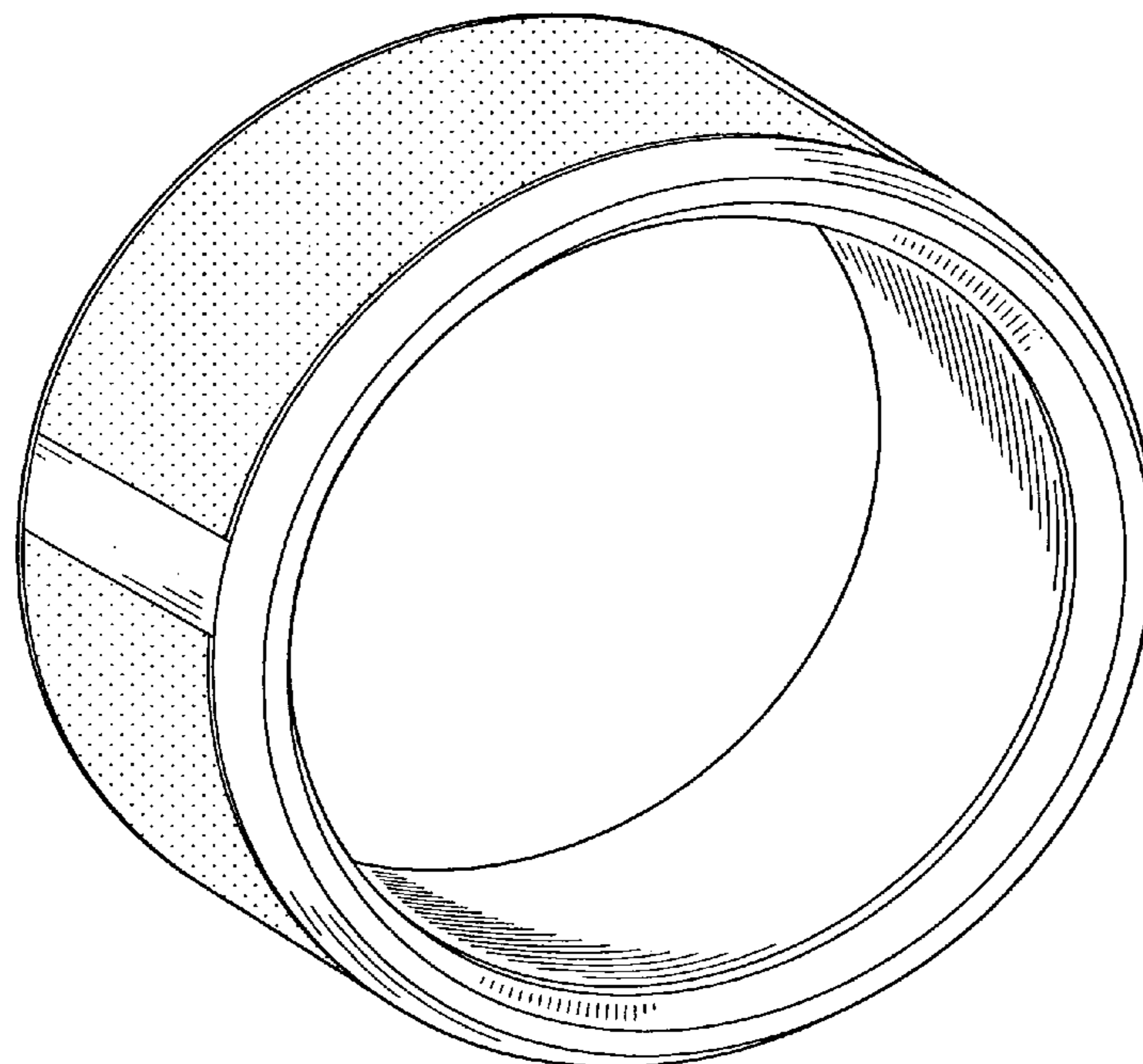
FIG. 5 is a rear view thereof;

FIG. 6 is a top view thereof; and,

FIG. 7 is a bottom view thereof.

The shaded area with stippling represents a contrast of material or color with respect to the non-shaded areas of the design.

1 Claim, 4 Drawing Sheets



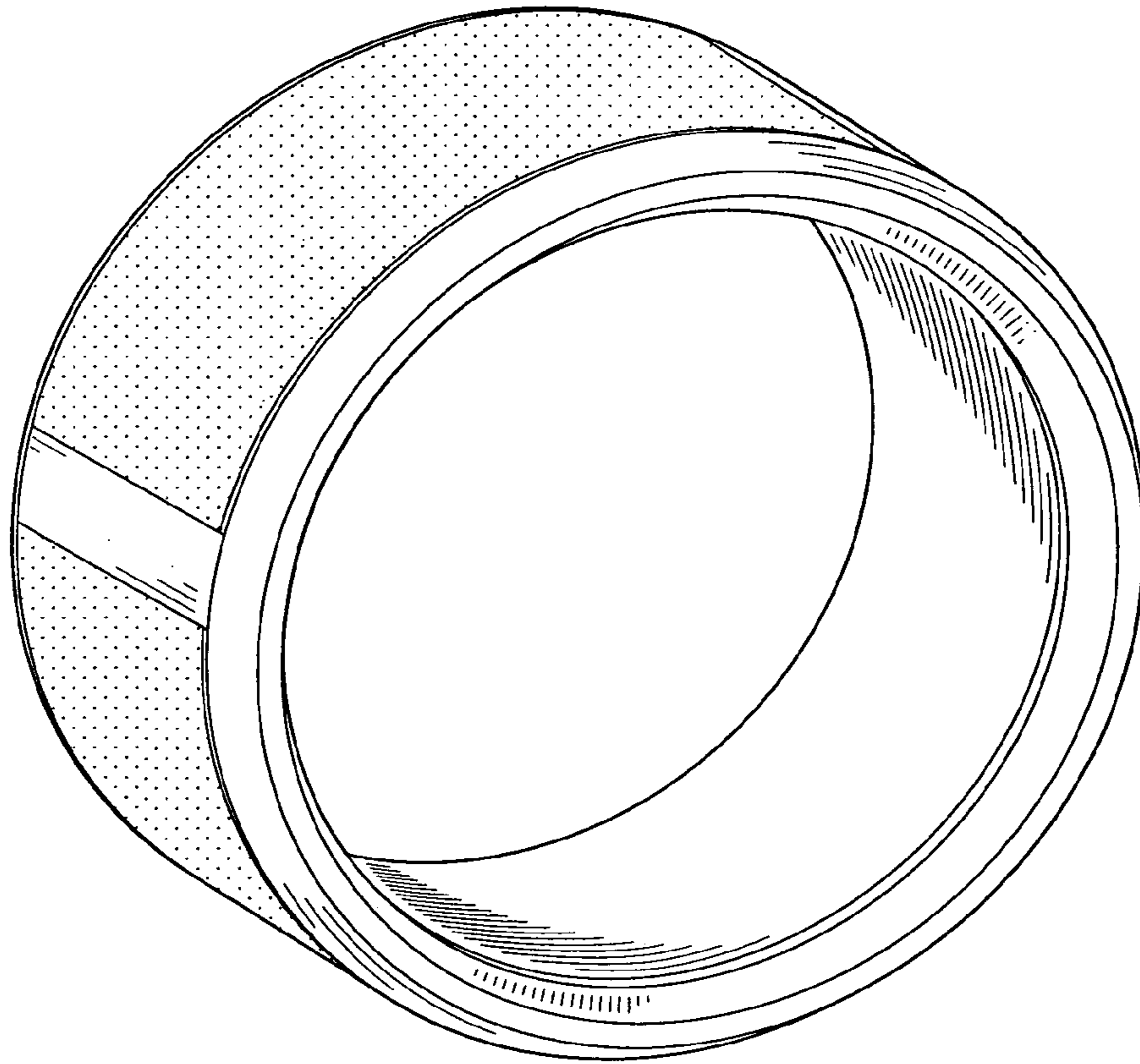


FIG. 1

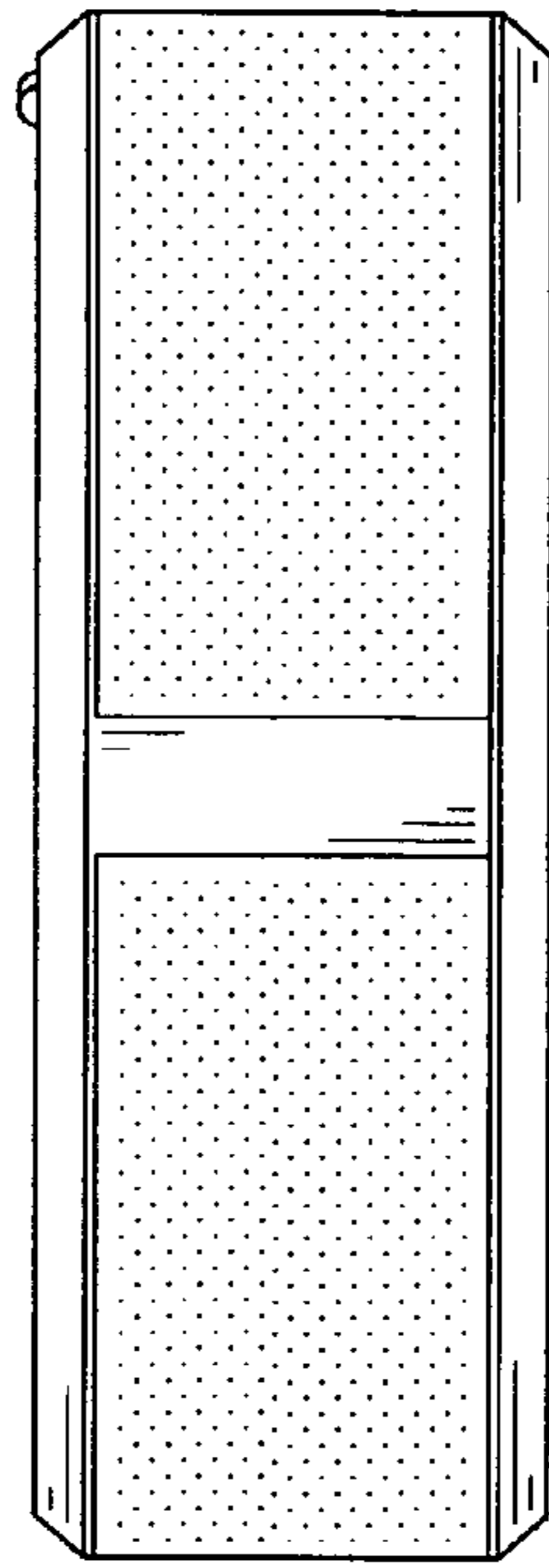


FIG. 2

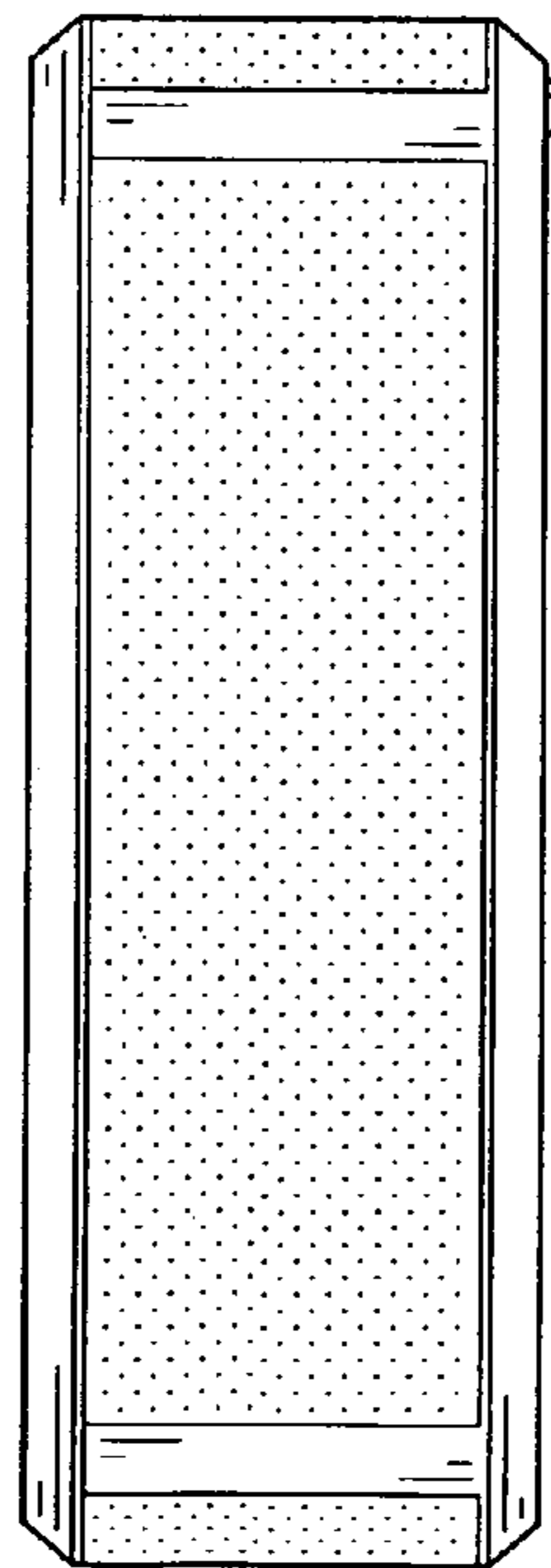


FIG. 3

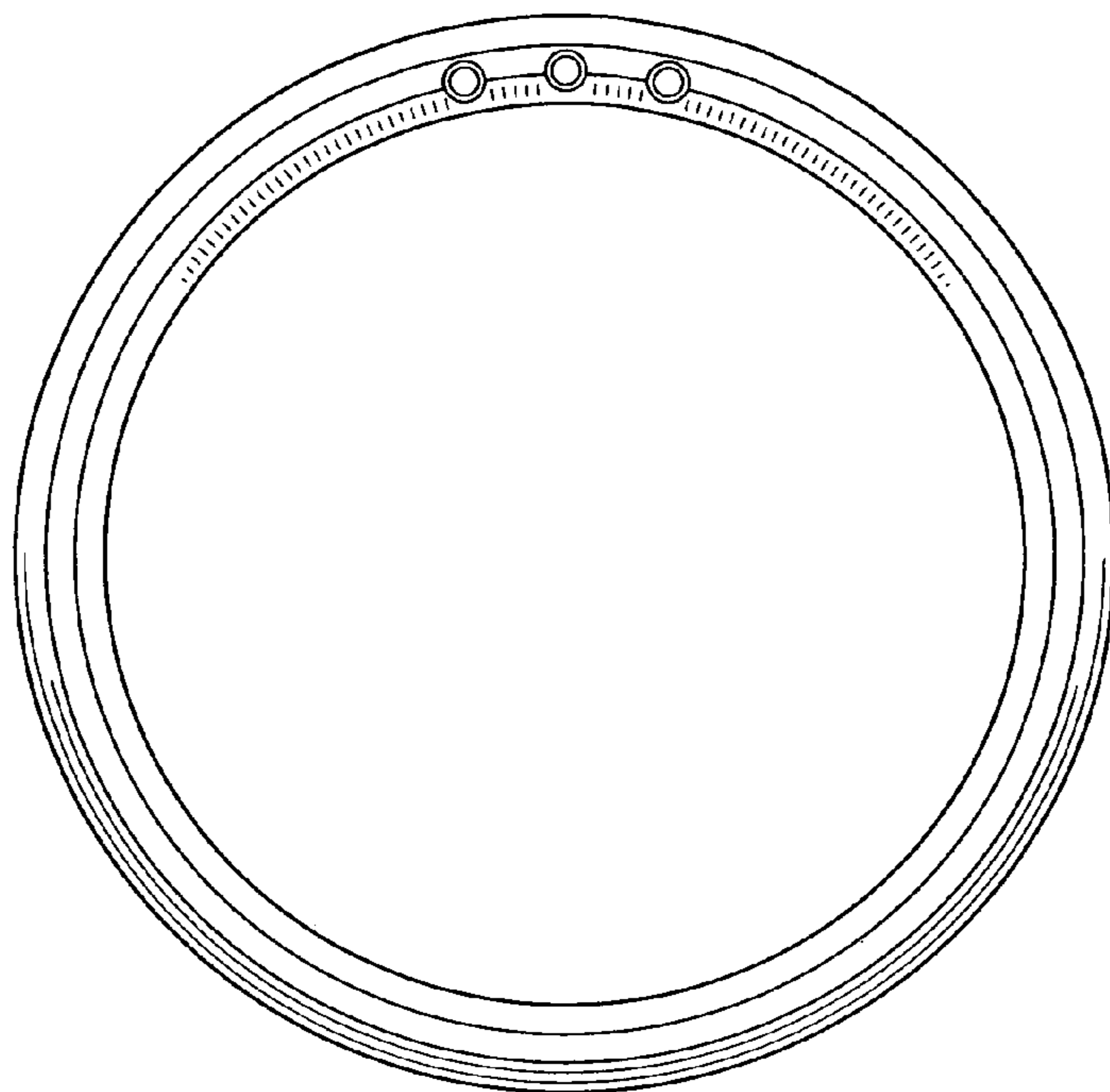


FIG. 4

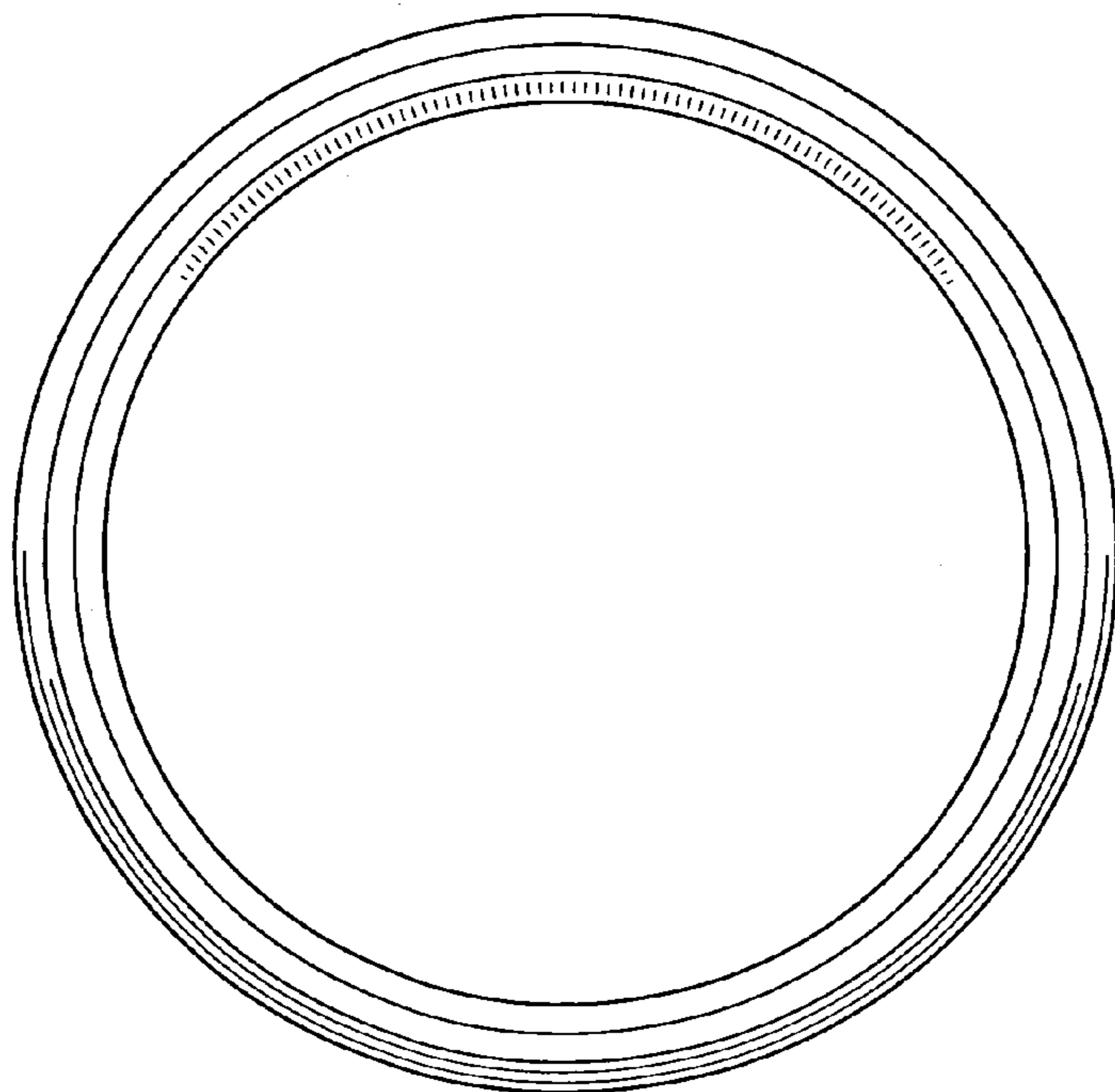


FIG. 5

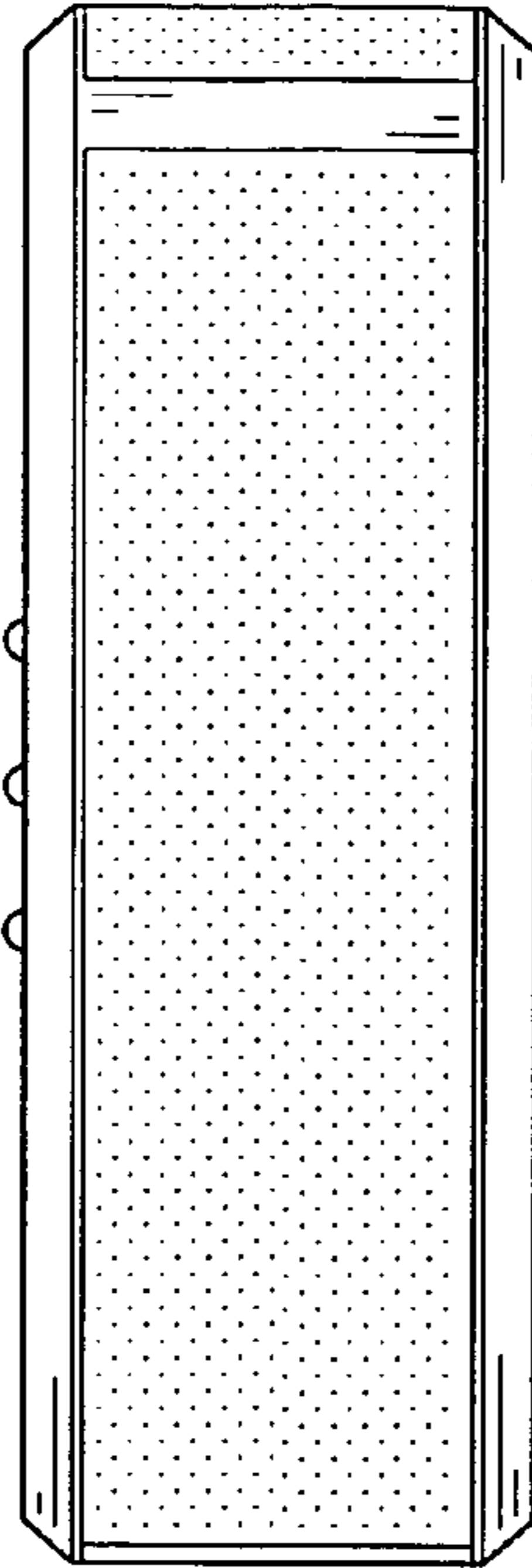


FIG. 6

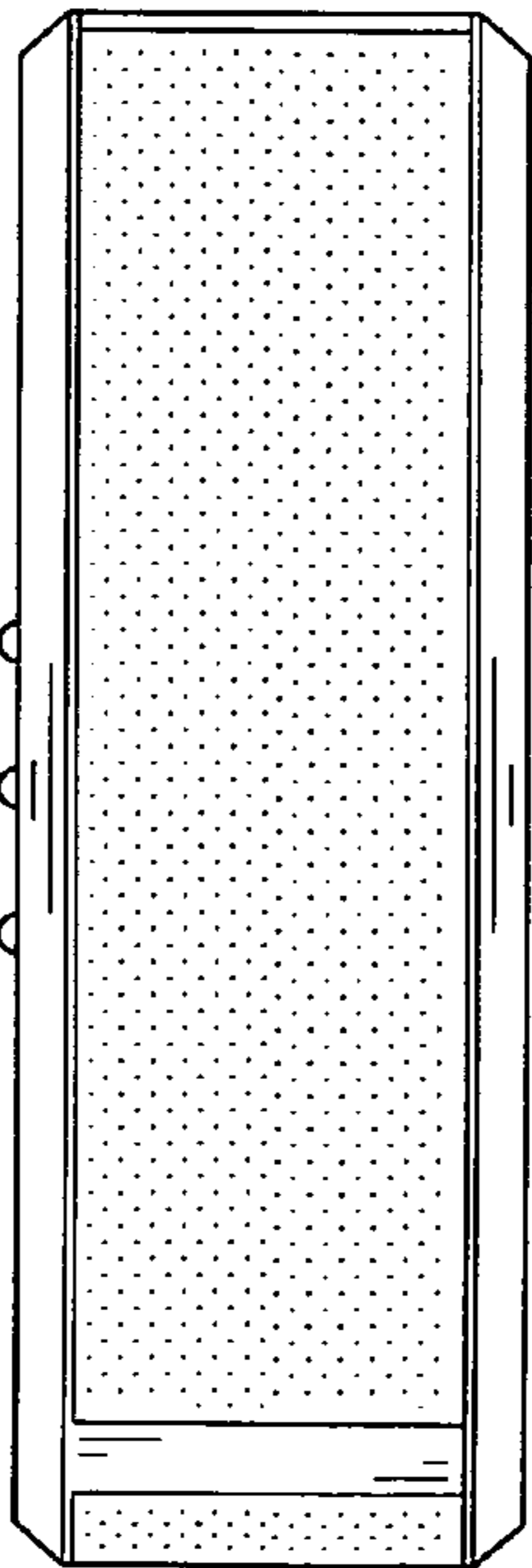


FIG. 7