



US00D575347S

(12) **United States Design Patent**
Fedon

(10) **Patent No.:** **US D575,347 S**

(45) **Date of Patent:** **** Aug. 19, 2008**

(54) **CLIPBOARD WITH ORGANIZER BOX**

(75) Inventor: **Callisto Fedon**, Domege Di Cadore (IT)

(73) Assignee: **Giorgio Fedon & Figli S.p.A.**, Domegge Di Cadore (BL) (IT)

(**) Term: **14 Years**

(21) Appl. No.: **29/267,491**

(22) Filed: **Oct. 16, 2006**

(30) **Foreign Application Priority Data**

Apr. 14, 2006 (EM) 513080

(51) **LOC (8) Cl.** **19-02**

(52) **U.S. Cl.** **D19/88**

(58) **Field of Classification Search** D6/420;
D19/52, 86, 87, 88, 90, 91, 92, 95; 24/67 R,
24/67.3, 67.5, 67.7; 248/447, 451, 452; 281/45;
362/99

See application file for complete search history.

(56) **References Cited**

U.S. PATENT DOCUMENTS

1,279,820	A *	9/1918	Brassard	362/99
2,629,043	A *	2/1953	Holtje	362/99
D173,931	S *	2/1955	Bienen	D3/242
3,408,757	A *	11/1968	McQuiston	40/518
D261,903	S *	11/1981	Mulder	D19/88
D291,947	S *	9/1987	Nakata	D3/206
D312,278	S *	11/1990	Moor	D19/27
D334,213	S *	3/1993	Evenson	D19/88
D353,399	S *	12/1994	Dodge	D19/88

5,570,275	A *	10/1996	Luquire	362/125
D377,416	S *	1/1997	Aurora	D3/251
5,918,395	A *	7/1999	Hesmer	40/518
D475,748	S *	6/2003	Shamoon	D19/88
D485,980	S *	2/2004	Moses	D3/206
D492,358	S *	6/2004	Chen	D19/88
D500,800	S *	1/2005	Shamoon	D19/88
D510,389	S *	10/2005	Shamoon	D19/88
D520,060	S *	5/2006	Kato	D19/52
D557,490	S *	12/2007	Fedon	D3/206
D557,497	S *	12/2007	Fedon	D3/247
2002/0180205	A1 *	12/2002	Anderson	281/45

* cited by examiner

Primary Examiner—Elizabeth A. Albert

Assistant Examiner—Karen E Eldridge Powers

(74) *Attorney, Agent, or Firm*—Bucknam and Archer

(57) **CLAIM**

The ornamental design for a clipboard with organizer box, as shown and described.

DESCRIPTION

FIG. 1 is a front perspective view of my design for a clipboard with organizer box;

FIG. 2 is a front elevational view thereof;

FIG. 3 is a rear elevational view thereof;

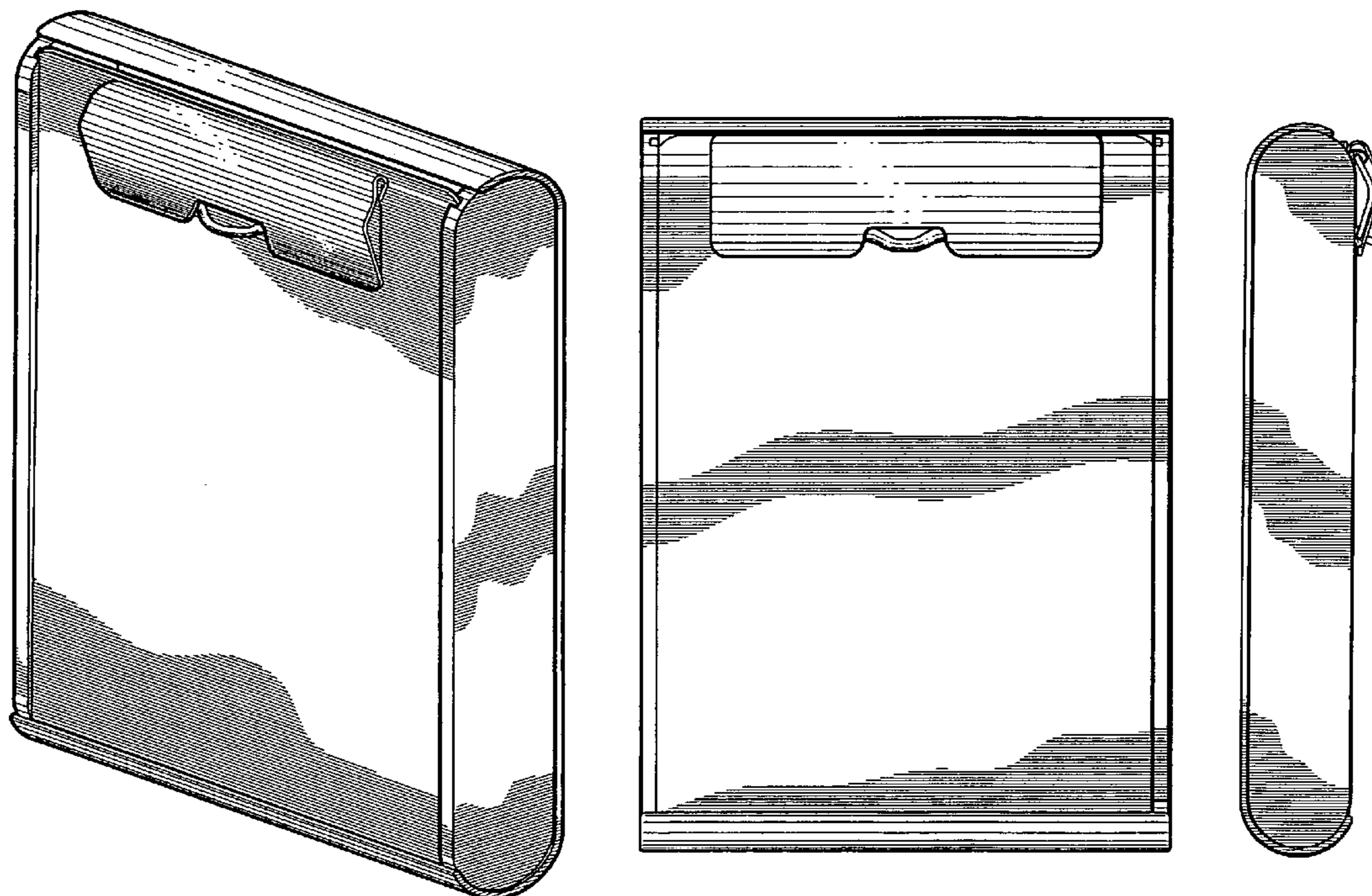
FIG. 4 is a top plan view thereof;

FIG. 5 is a bottom plan view thereof;

FIG. 6 is a right side elevational view thereof; and,

FIG. 7 is a left side elevational view thereof.

1 Claim, 5 Drawing Sheets



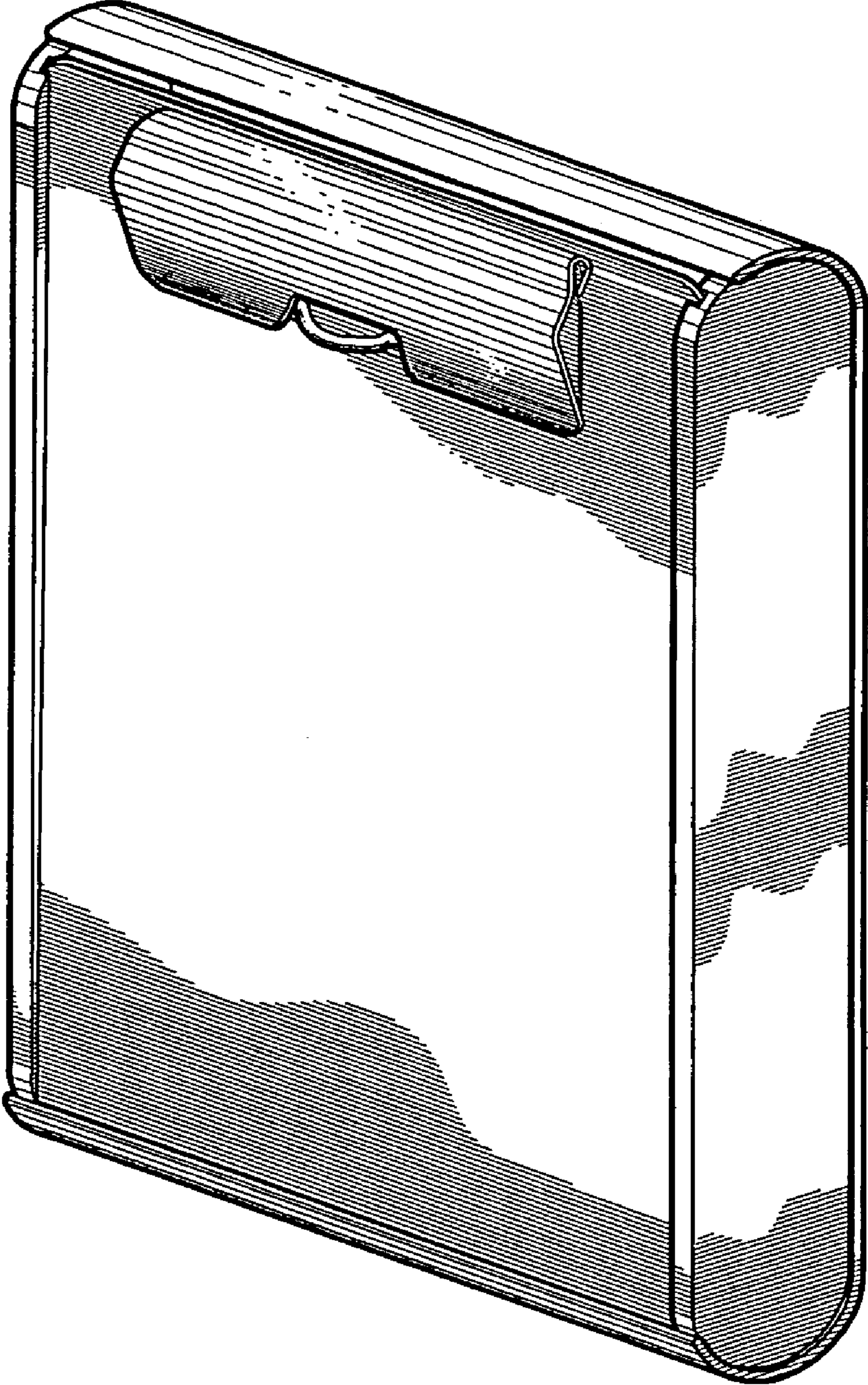


FIG. 1

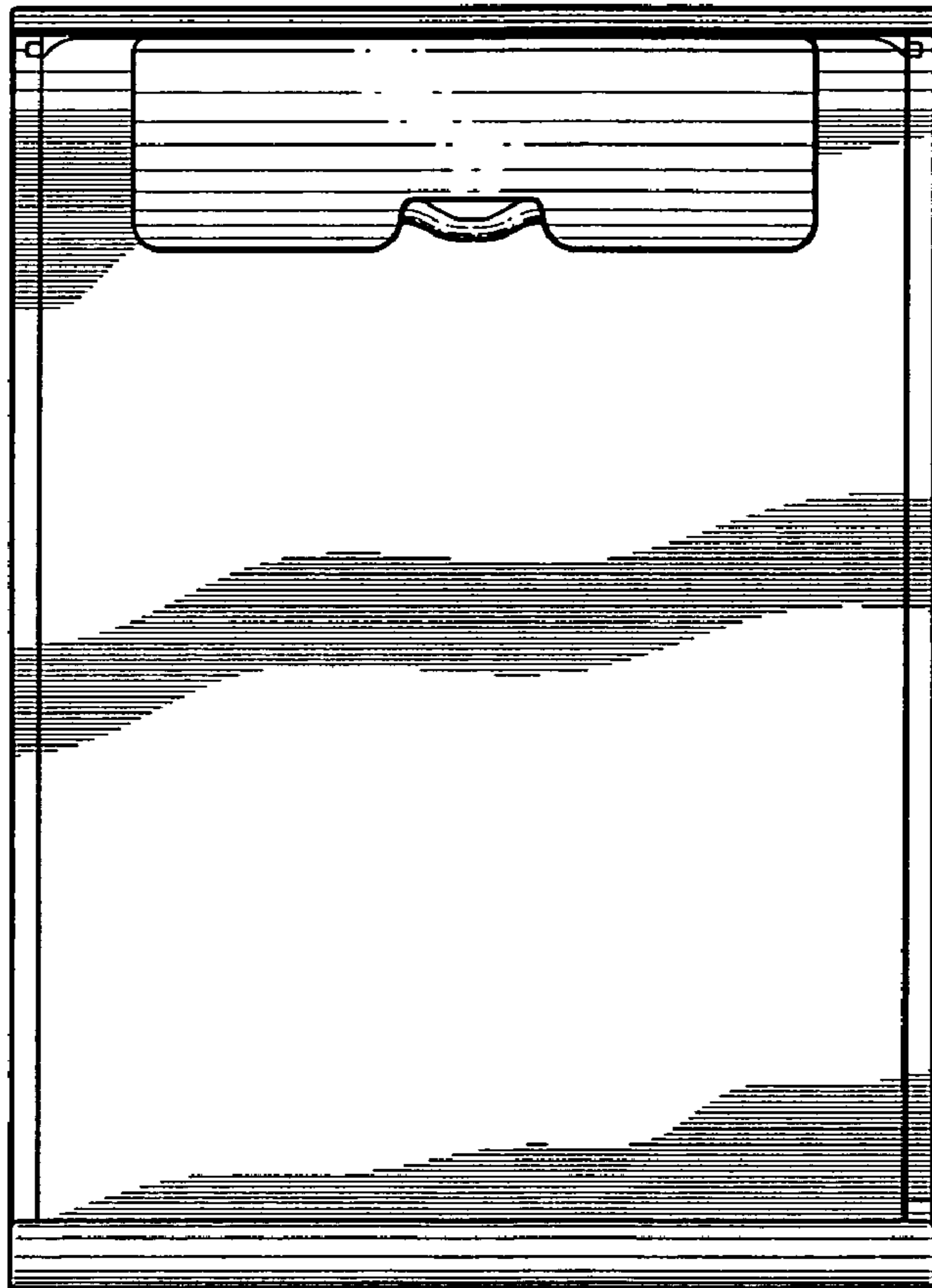


FIG. 2

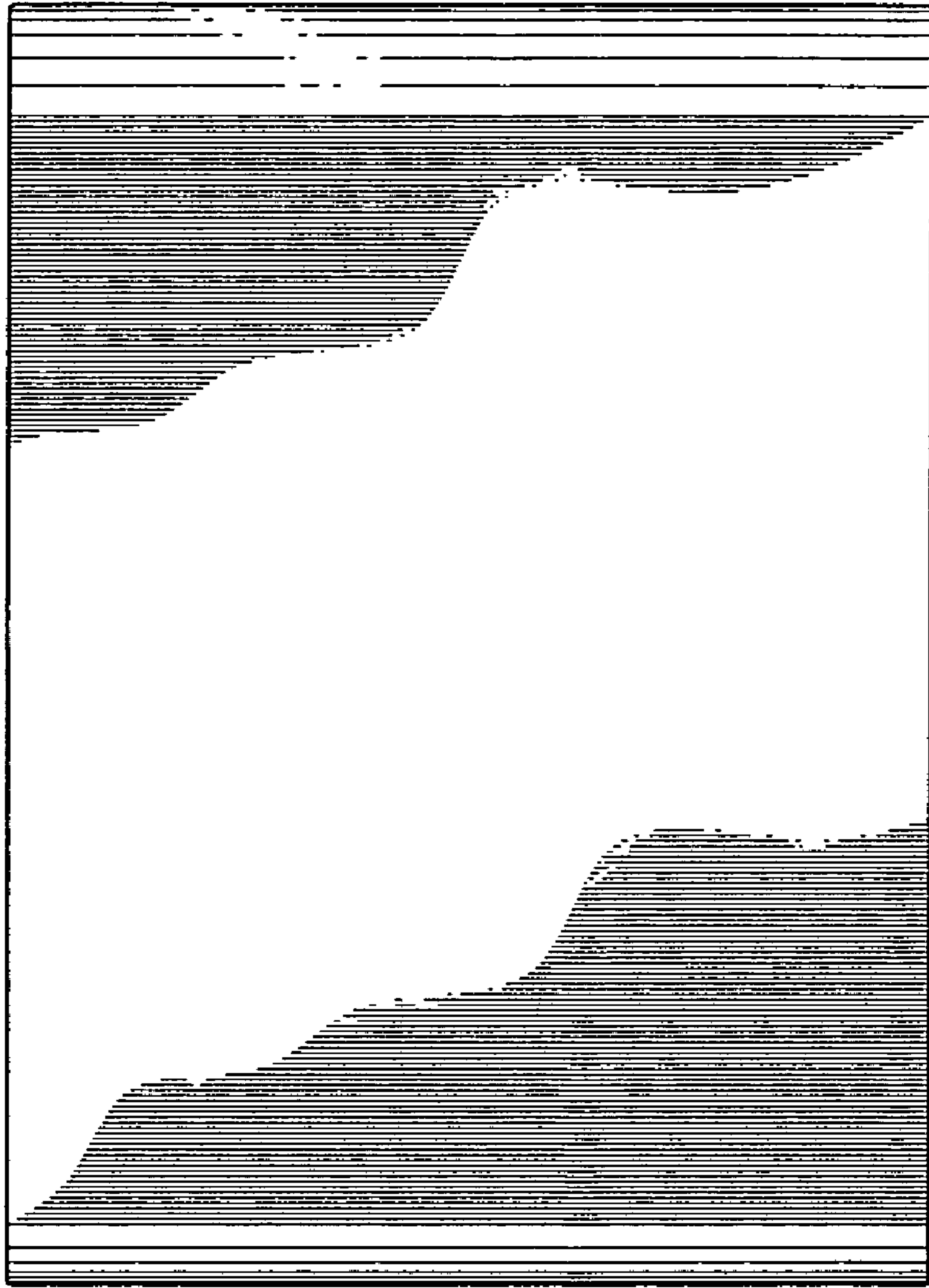


FIG. 3

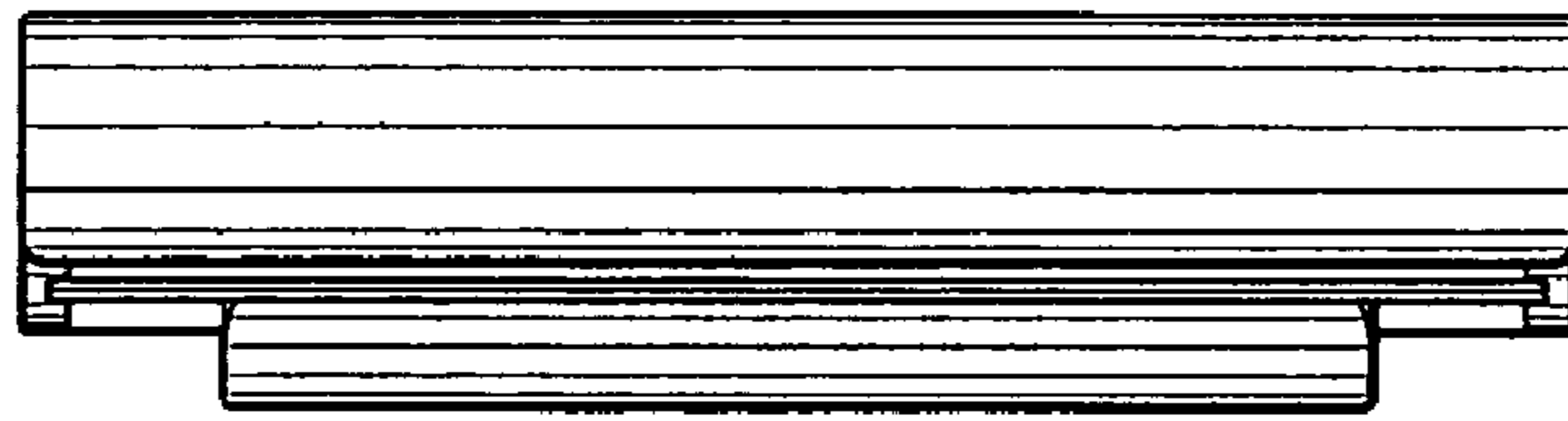


FIG. 4

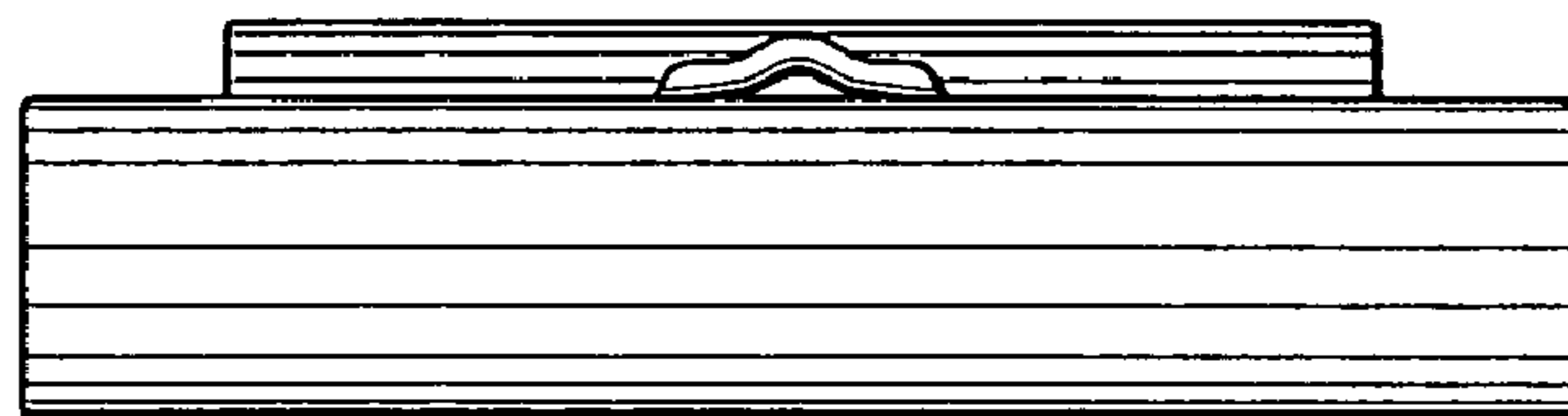


FIG. 5

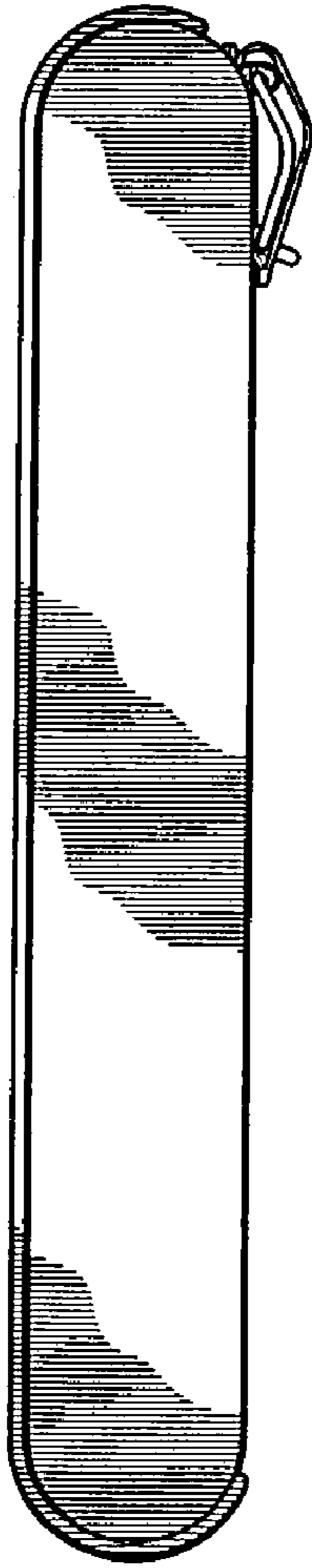


FIG. 6



FIG. 7