



US00D575343S

(12) **United States Design Patent**  
**Cetera**

(10) **Patent No.:** **US D575,343 S**

(45) **Date of Patent:** **\*\* Aug. 19, 2008**

(54) **PEN GRIP**

(75) Inventor: **Carl Cetera**, Tenafly, NJ (US)

(73) Assignee: **Cotapaxi Custom Design and Manufacturing, LLC**, Carlstadt, NJ (US)

(\*\*) Term: **14 Years**

(21) Appl. No.: **29/248,536**

(22) Filed: **Aug. 21, 2006**

(51) **LOC (8) Cl.** ..... **19-06**

(52) **U.S. Cl.** ..... **D19/55**

(58) **Field of Classification Search** ..... D19/35,  
D19/36, 41, 42, 43, 44, 45, 46, 47, 48, 49,  
D19/50, 51, 54, 55, 56, 57; 24/11 R, 11 F,  
24/11 P; 40/334; 401/52, 99, 100, 104, 105,  
401/106, 107, 108, 109, 192, 195, 196  
See application file for complete search history.

(56) **References Cited**

**U.S. PATENT DOCUMENTS**

- 2,485,224 A \* 10/1949 Wahl ..... 401/212
- 4,973,177 A \* 11/1990 Rose ..... 401/52
- D338,915 S \* 8/1993 Willat ..... D19/51
- D415,198 S \* 10/1999 Mouawad ..... D19/48
- D416,043 S \* 11/1999 Arthur et al. .... D19/55
- D433,446 S \* 11/2000 Rosenbaum ..... D19/51
- D439,277 S \* 3/2001 Rosenbaum ..... D19/55
- D448,805 S \* 10/2001 Willat et al. .... D19/55
- D451,549 S \* 12/2001 Willat et al. .... D19/55
- D455,177 S \* 4/2002 Chiu ..... D19/54
- D456,448 S \* 4/2002 Chiu ..... D19/54
- D460,112 S \* 7/2002 Keda ..... D19/51
- D471,931 S \* 3/2003 Lecce ..... D19/51
- D475,088 S 5/2003 Cetera
- D475,405 S 6/2003 Cetera
- D475,406 S 6/2003 Cetera
- D475,741 S 6/2003 Cetera
- D483,065 S 12/2003 Cetera
- D484,188 S 12/2003 Cetera
- D489,085 S \* 4/2004 Willat et al. .... D19/36

- 6,764,238 B2 \* 7/2004 Weaver et al. .... 401/6
- D494,217 S \* 8/2004 Tien ..... D19/51
- D495,003 S 8/2004 Cetera
- D495,364 S 8/2004 Cetera
- D495,365 S 8/2004 Cetera
- D496,688 S \* 9/2004 Nishida ..... D19/51
- D497,180 S 10/2004 Cetera
- D497,387 S 10/2004 Cetera
- D499,499 S 12/2004 Cetera
- D501,509 S \* 2/2005 Lecce ..... D19/51
- D503,742 S \* 4/2005 Mori ..... D19/51
- D505,156 S 5/2005 Tatic
- D506,780 S \* 6/2005 Nakazawa ..... D19/49
- D507,810 S \* 7/2005 Su ..... D19/36
- D508,083 S 8/2005 Cetera

(Continued)

**OTHER PUBLICATIONS**

U.S. Appl. No. 29/249,053, Carl Cetera.

(Continued)

*Primary Examiner*—Elizabeth A. Albert  
*Assistant Examiner*—Karen E Eldridge Powers  
(74) *Attorney, Agent, or Firm*—The Soni Law Firm

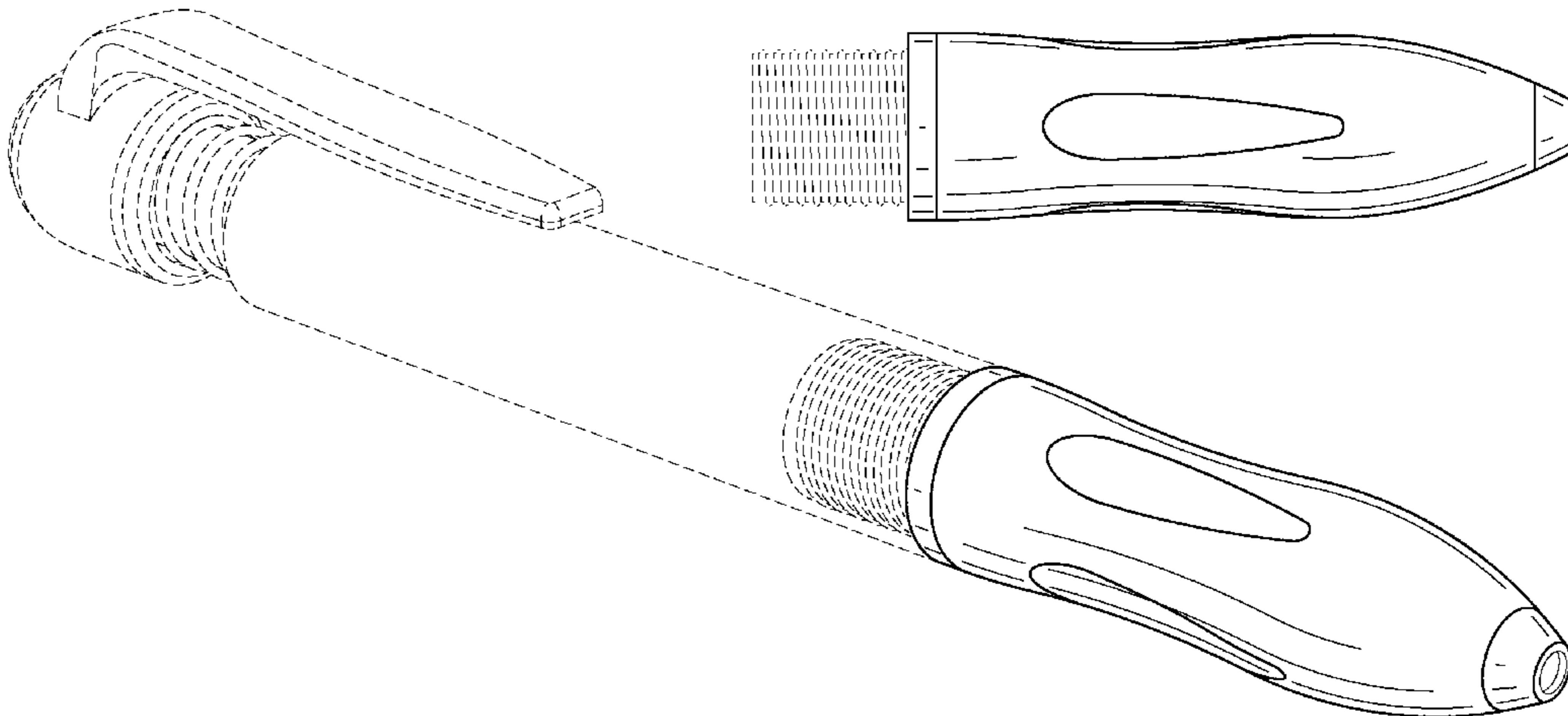
(57) **CLAIM**

The ornamental design for a pen grip, as shown and described.

**DESCRIPTION**

FIG. 1 is front side bottom perspective view of the pen grip showing my new design;  
FIG. 2 is a left side elevation view thereof which is a mirror image of the right side thereof;  
FIG. 3 is a bottom plan view thereof; and,  
FIG. 4 is a top plan view thereof.  
The broken lines depicting environmental structure are for illustrative purposes only and form no part of the claimed design.

**1 Claim, 1 Drawing Sheet**



# US D575,343 S

Page 2

## U.S. PATENT DOCUMENTS

D508,951 S	8/2005	Cetera	
D512,741 S	12/2005	Cetera	
D513,766 S	1/2006	Cetera	
7,004,655 B2 *	2/2006	Ferrara	401/6
D517,330 S	3/2006	Cetera	
D518,523 S *	4/2006	Cetera	D19/51
D519,563 S *	4/2006	Pellissa Beneyto	D19/51
D521,555 S *	5/2006	Santa Maria et al.	D19/50
D521,556 S	5/2006	Cetera	
D526,020 S	8/2006	Cetera	
D530,373 S	10/2006	Cetera	
D533,903 S	12/2006	Cetera	
D535,697 S	1/2007	Cetera	
D536,035 S	1/2007	Cetera	
D536,377 S	2/2007	Cetera	
D536,733 S	2/2007	Cetera	
D541,861 S *	5/2007	Qiu	D19/51
D543,586 S	5/2007	Cetera	
D544,915 S *	6/2007	Santa Maria et al.	D19/55
D545,900 S *	7/2007	Gerules	D19/51
D545,901 S *	7/2007	Cetera	D19/55
D546,886 S *	7/2007	Cetera	D19/55
D548,791 S *	8/2007	Santa Maria et al.	D19/55
D549,779 S *	8/2007	Shimizu	D19/55
D550,281 S *	9/2007	Tien	D19/48
D552,679 S	10/2007	Cetera	
D552,680 S	10/2007	Cetera	
D552,683 S	10/2007	Cetera	
2006/0239761 A1 *	10/2006	Cetera	401/258
2007/0110494 A1 *	5/2007	Berman	401/6

## OTHER PUBLICATIONS

U.S. Appl. No. 29/249,054, Carl Cetera.  
U.S. Appl. No. 29/246,281, Carl Cetera.  
U.S. Appl. No. 29/248,163, Carl Cetera.  
U.S. Appl. No. 29/175,277, Carl Cetera.  
U.S. Appl. No. 29/248,536, Carl Cetera.

\* cited by examiner

