



US00D575338S

(12) **United States Design Patent**
Shimizu

(10) **Patent No.:** **US D575,338 S**

(45) **Date of Patent:** **** Aug. 19, 2008**

(54) **BALLPOINT PEN**

(75) Inventor: **Kazuhisa Shimizu**, Tokyo (JP)

(73) Assignee: **Pentel Kabushiki Kaisha** (JP)

(**) Term: **14 Years**

(21) Appl. No.: **29/267,567**

(22) Filed: **Oct. 17, 2006**

(30) **Foreign Application Priority Data**

Apr. 18, 2006 (JP) 2006-010025

(51) **LOC (8) Cl.** **19-06**

(52) **U.S. Cl.** **D19/49**

(58) **Field of Classification Search** D19/35,
D19/36, 41, 42, 43, 44, 45, 46, 47, 48, 49,
D19/50, 51, 53, 54, 55, 56, 57; 24/11 R,
24/11 F, 11 P; 401/334, 52, 99, 100, 104,
401/105, 106, 107, 108, 109, 192, 195, 196
See application file for complete search history.

(56) **References Cited**

U.S. PATENT DOCUMENTS

- D146,335 S * 2/1947 Colomy D19/48
- D308,396 S * 6/1990 Sekiguchi D19/49
- D351,416 S * 10/1994 Oka et al. D19/48
- D389,186 S * 1/1998 Shimizu D19/48
- D401,624 S * 11/1998 Sakuno D19/51
- D407,114 S * 3/1999 Sakuno D19/48
- D408,854 S * 4/1999 Katami D19/51
- D412,342 S * 7/1999 Shimizu D19/51
- D429,763 S * 8/2000 Fuller D19/51
- D439,612 S * 3/2001 Jones D19/36
- D449,649 S * 10/2001 Takanashi D19/43
- D450,086 S * 11/2001 Rosenbaum D19/36

- D450,765 S * 11/2001 Rosenbaum D19/36
- D453,790 S * 2/2002 Tsuchikura D19/36
- D458,964 S * 6/2002 Nakazawa D19/48
- D478,932 S * 8/2003 Moon D19/51
- D496,069 S * 9/2004 Takanashi D19/53
- D499,139 S * 11/2004 Oka D19/47
- D506,504 S * 6/2005 Nakazawa et al. D19/49
- D506,780 S * 6/2005 Nakazawa D19/49
- D529,089 S * 9/2006 Bhavnani D19/36
- D551,710 S * 9/2007 Tsuchida D19/51
- 2006/0216103 A1 * 9/2006 Bielecki et al. 401/108

* cited by examiner

Primary Examiner—Elizabeth A. Albert

Assistant Examiner—Karen E Eldridge Powers

(74) *Attorney, Agent, or Firm*—Adams & Wilks

(57) **CLAIM**

The ornamental design for a ballpoint pen, as shown and described.

DESCRIPTION

FIG. 1 is a perspective view of a ballpoint pen showing my new design;

FIG. 2 is a top plan view thereof;

FIG. 3 is a front elevation view thereof;

FIG. 4 is bottom plan view thereof;

FIG. 5 is a rear elevation view thereof;

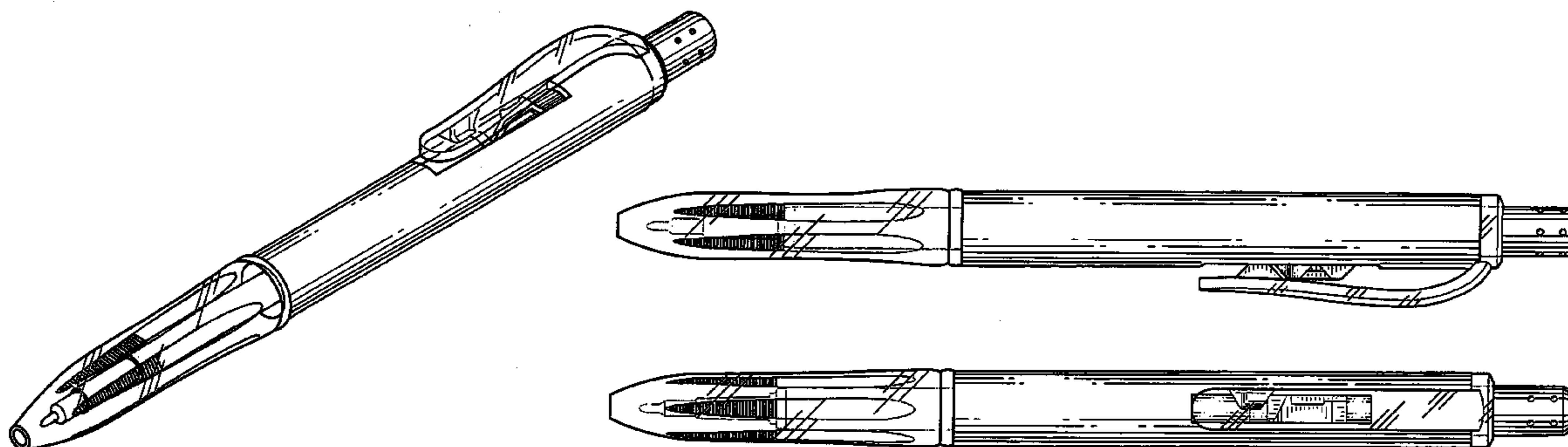
FIG. 6 is a right side elevation view thereof;

FIG. 7 is a left side elevation view thereof;

FIG. 8 is a bottom plan view thereof with the tip shown extended; and,

FIG. 9 is a sectional view taken along line 9—9 in FIG. 4.

1 Claim, 4 Drawing Sheets



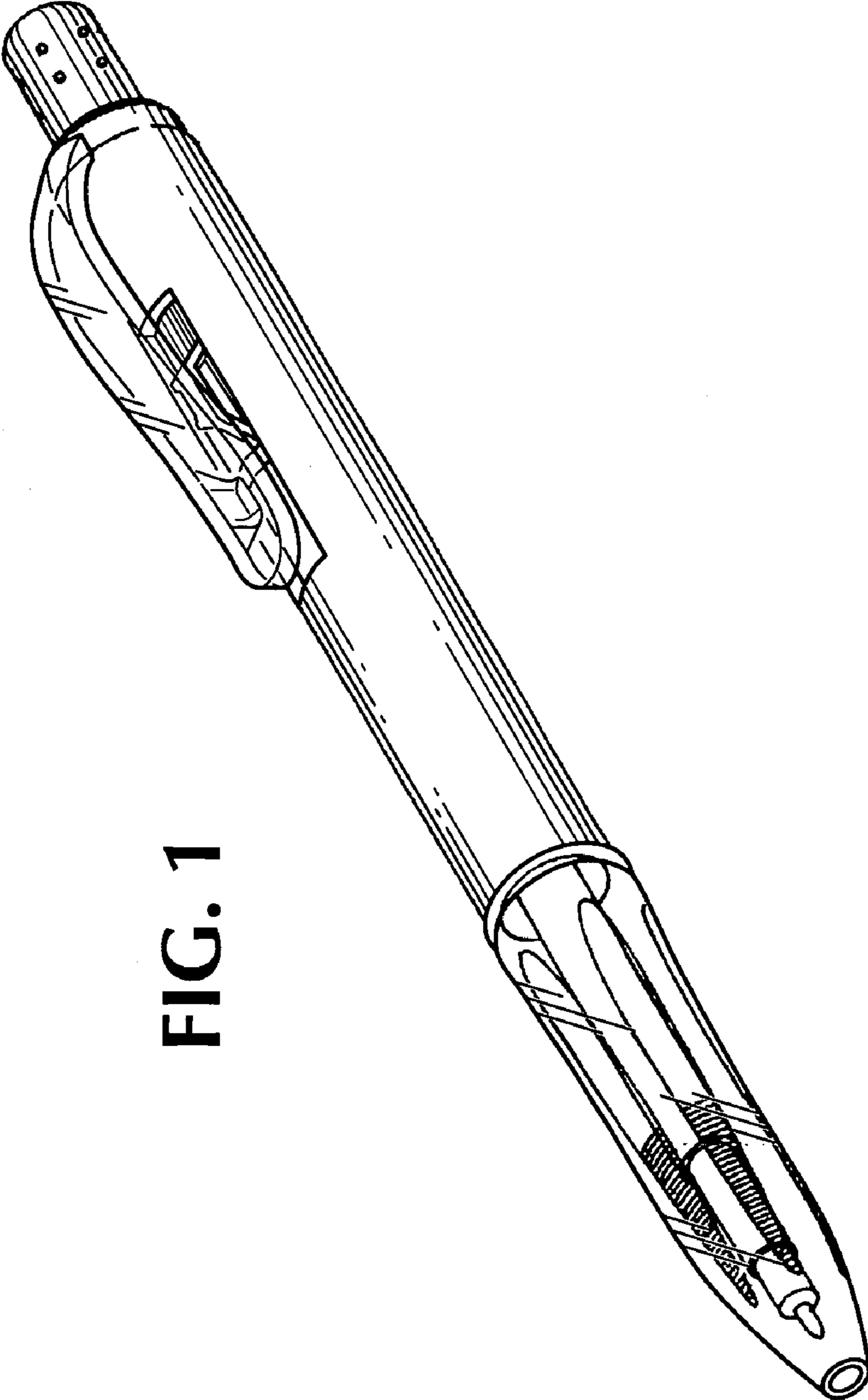


FIG. 1

FIG. 2

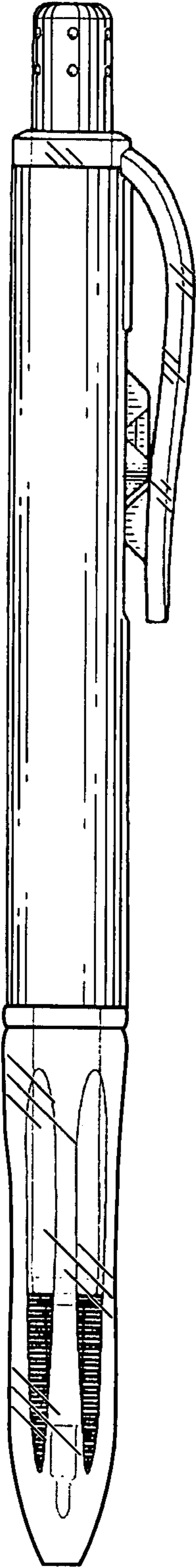


FIG. 3



FIG. 4

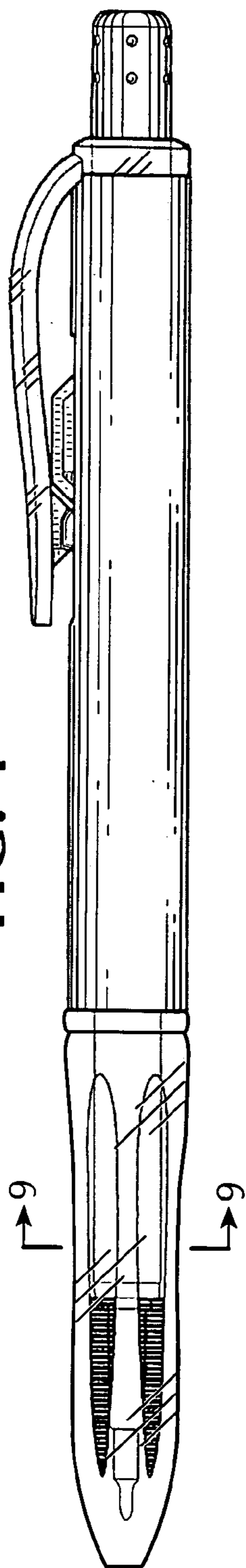


FIG. 5

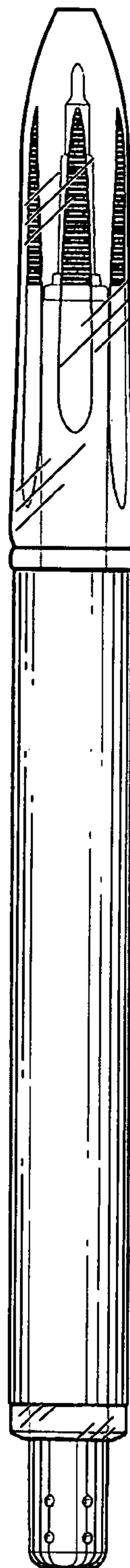


FIG. 6

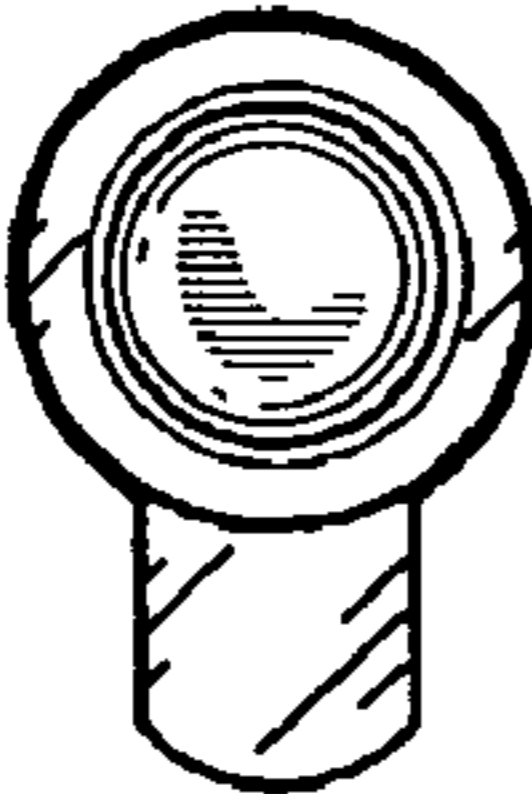


FIG. 7

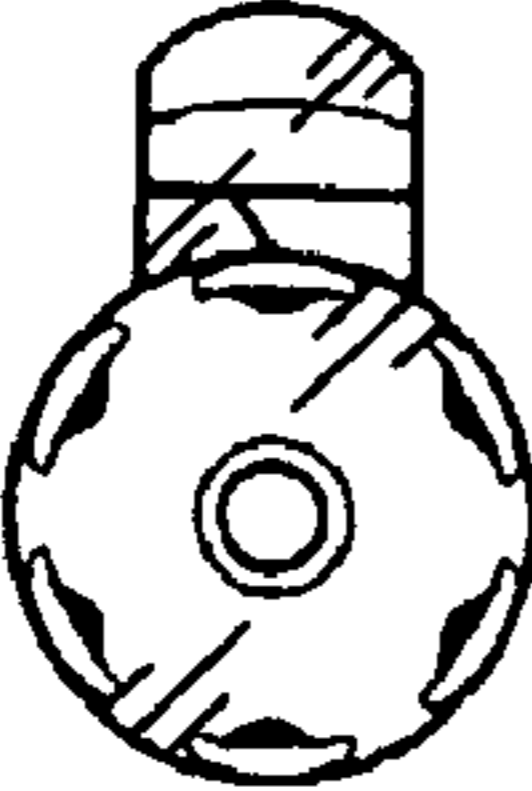


FIG. 9

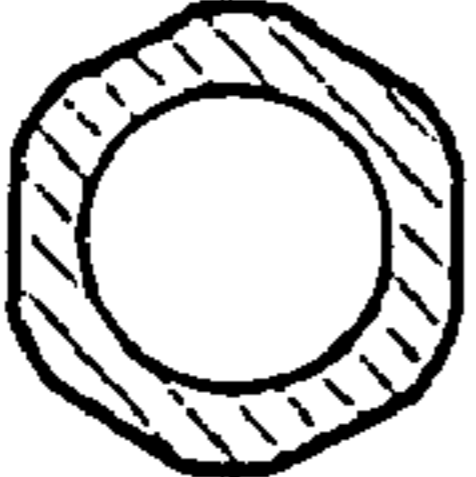


FIG. 8

