



US00D575333S

(12) **United States Design Patent**
Witter

(10) **Patent No.:** **US D575,333 S**

(45) **Date of Patent:** **** Aug. 19, 2008**

(54) **DEVICE FOR STORING PAPERS OR THE LIKE**

(75) Inventor: **Kevin Wesley Witter**, Dayton, OH (US)

(73) Assignee: **Meadwestvaco Corporation**, Glen Allen, VA (US)

(**) Term: **14 Years**

(21) Appl. No.: **29/272,787**

(22) Filed: **Feb. 16, 2007**

(51) **LOC (8) Cl.** **19-04**

(52) **U.S. Cl.** **D19/26**

(58) **Field of Classification Search** D19/26-27,
D19/33; D3/247, 294, 299, 303; 40/530,
40/536-537; 206/472, 556; 281/15.1, 29,
281/19.1, 31

See application file for complete search history.

(56) **References Cited**

U.S. PATENT DOCUMENTS

D343,862 S	2/1994	Wyant	
D399,058 S	10/1998	Wyant	
D406,697 S	3/1999	Moor	
D418,677 S *	1/2000	Sijmons D3/273
D419,186 S	1/2000	Moor	
D424,105 S *	5/2000	Platte, III D19/27
D424,615 S *	5/2000	Wyant D19/32
D429,497 S	8/2000	Wyant	
D432,172 S	10/2000	Moor	
D435,591 S	12/2000	Wyant	
6,276,722 B1	8/2001	Moor	
D449,645 S *	10/2001	Gung D19/26

D451,273 S *	12/2001	Moor et al. D3/206
D476,032 S *	6/2003	Marchand D19/26
D481,074 S *	10/2003	Shapiro et al. D19/90
D499,761 S *	12/2004	Walley et al. D19/26
D518,640 S *	4/2006	Hoofnagle D3/321
D521,072 S *	5/2006	Hough et al. D19/90
7,055,682 B1 *	6/2006	Domotor et al. 206/214
D529,963 S *	10/2006	Hough et al. D19/90
D544,540 S *	6/2007	Forrest D19/27
D547,372 S *	7/2007	Bharma D19/26
D548,961 S *	8/2007	Dohner D3/247
D557,739 S *	12/2007	Bharma D19/26
2004/0253046 A1 *	12/2004	Africa et al. 402/73

* cited by examiner

Primary Examiner—Elizabeth A. Albert

Assistant Examiner—Kelley A Donnelly

(74) *Attorney, Agent, or Firm*—Thompson Hine LLP

(57) **CLAIM**

The ornamental design for a device for storing papers or the like, as shown and described.

DESCRIPTION

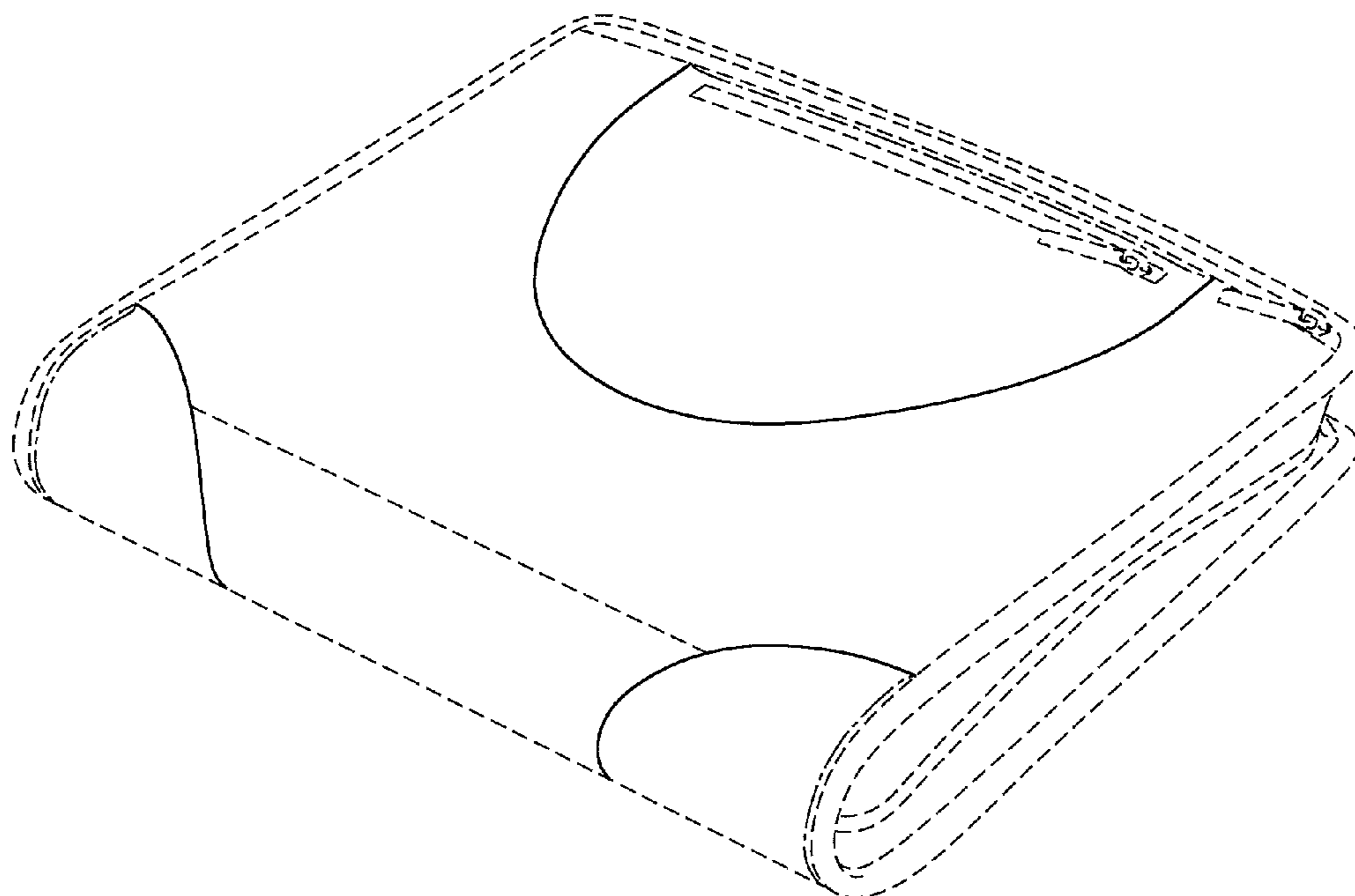
FIG. 1 is a front perspective view of a binder of the design;

FIG. 2 is a top view thereof; and,

FIG. 3 is a top view of the binder with the binder opened and laid flat.

The evenly spaced broken lines showing portions of the device for storing papers or the like are for the purpose of illustrating environment and form no part of the claimed design. The long and short broken lines which define the bounds of the claimed design form no part thereof.

1 Claim, 3 Drawing Sheets



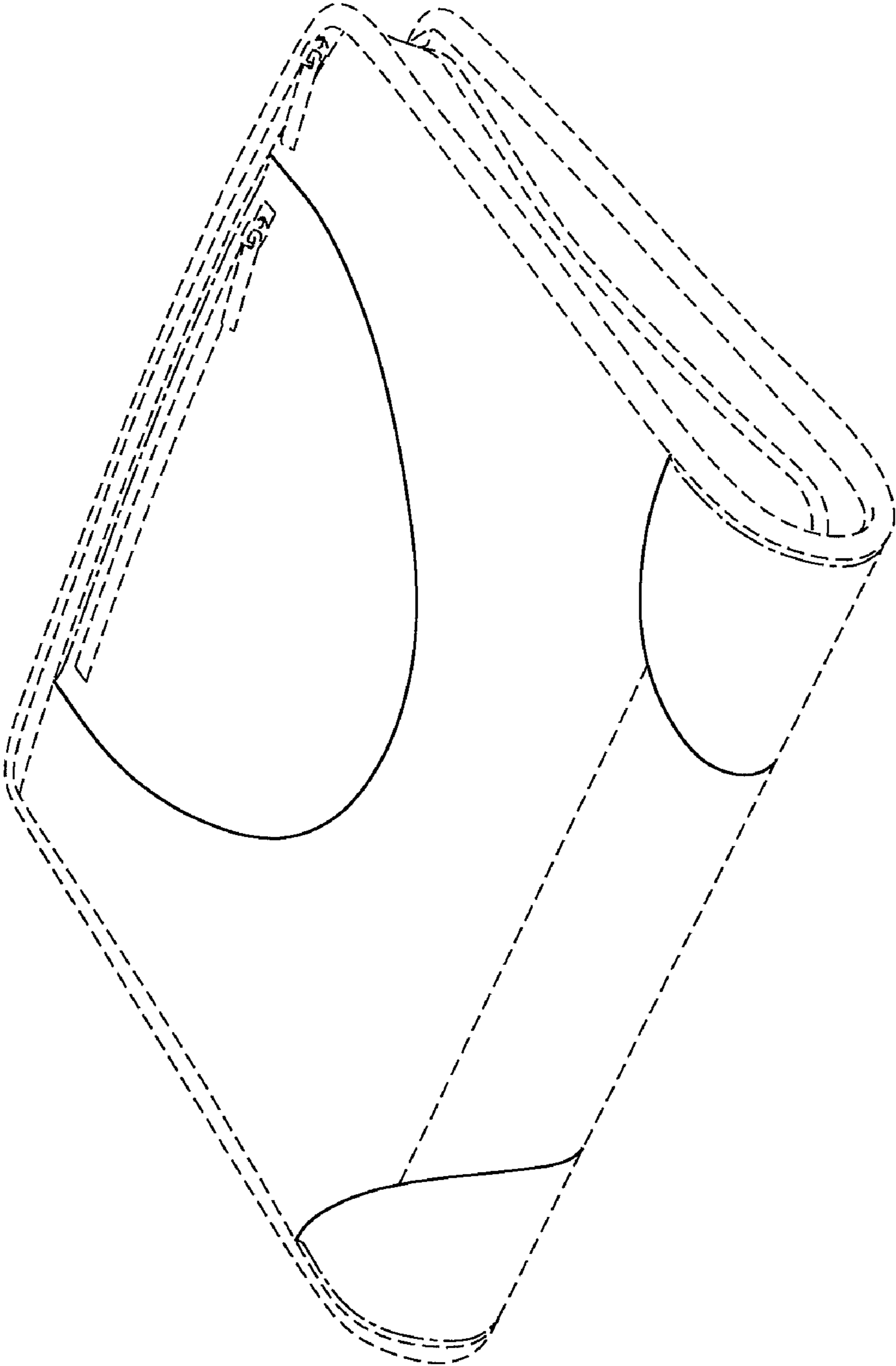


FIG. 1

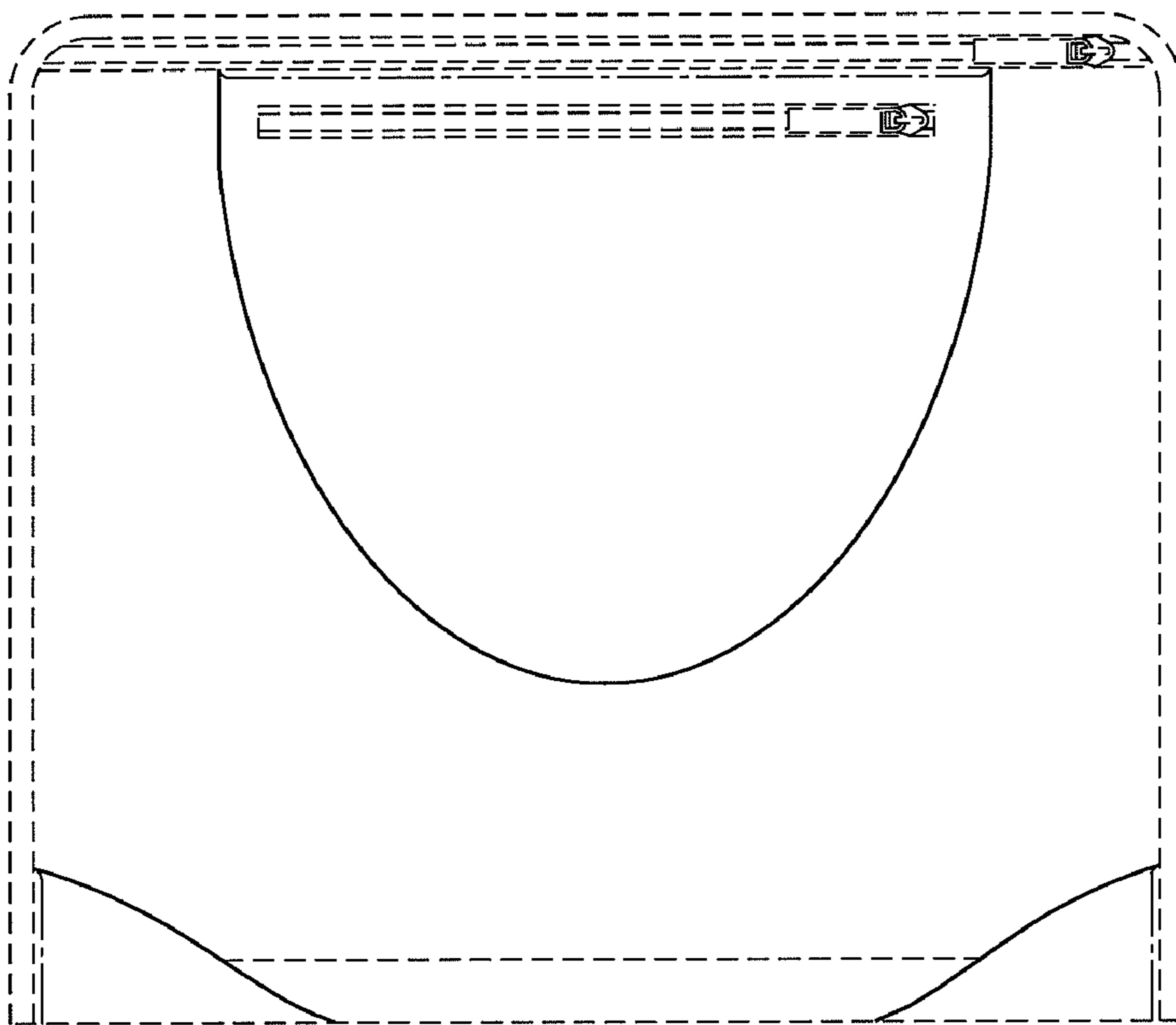


FIG. 2

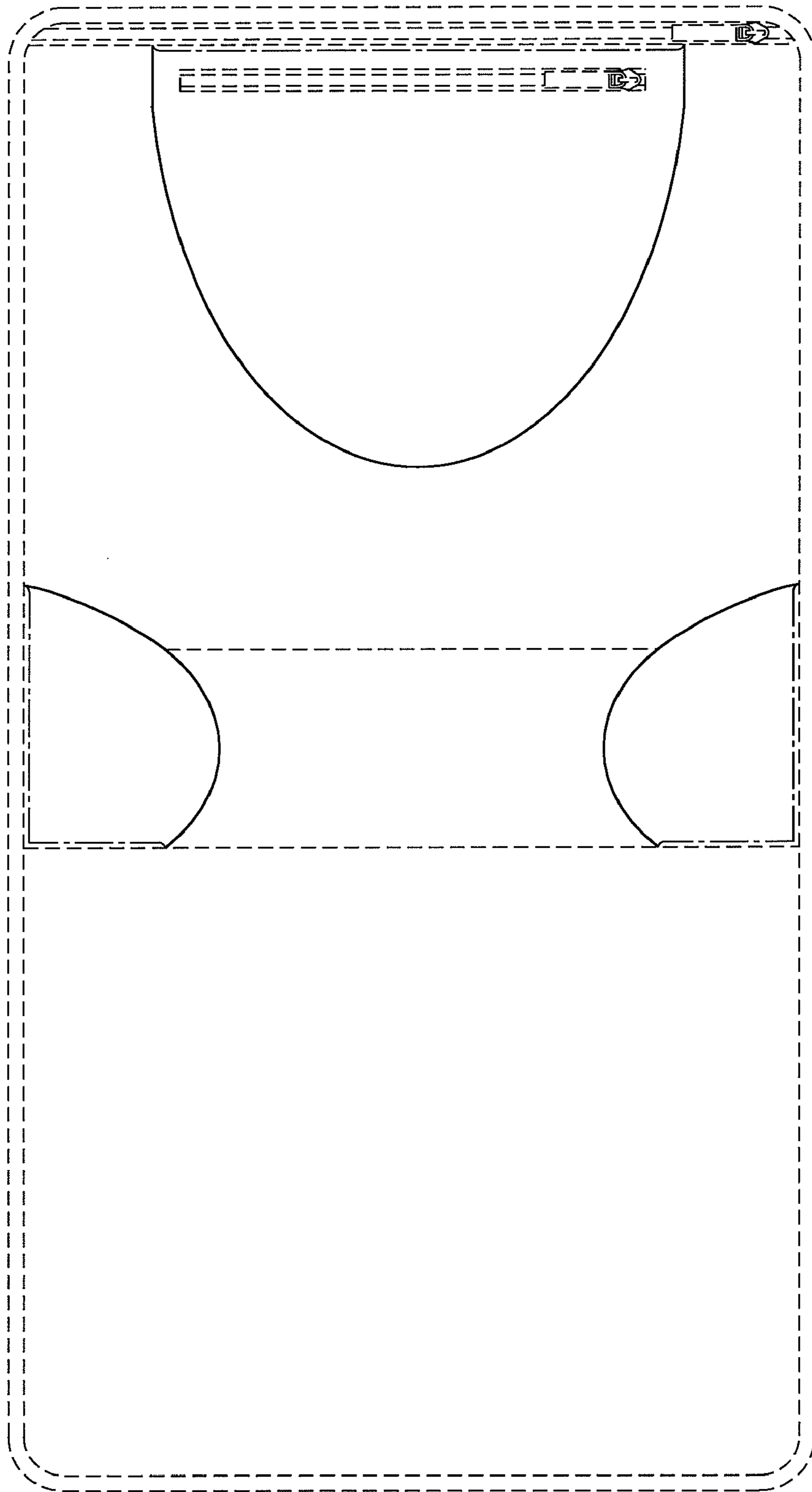


FIG. 3