

US00D575332S

(12) **United States Design Patent**  
**Parker et al.**

(10) **Patent No.:** **US D575,332 S**

(45) **Date of Patent:** **\*\* Aug. 19, 2008**

(54) **FINANCIAL TRANSACTION CARD WITH STAKE**

(75) Inventors: **Jamie Parker**, St. Paul, MN (US); **Heidi Schweigert**, Golden Valley, MN (US)

(73) Assignee: **Target Brands, Inc.**, Minneapolis, MN (US)

(\*\*) Term: **14 Years**

(21) Appl. No.: **29/317,457**

(22) Filed: **Apr. 30, 2008**

**Related U.S. Application Data**

(62) Division of application No. 29/278,689, filed on Apr. 5, 2007, now Pat. No. Des. 570,910.

(51) **LOC (8) Cl.** ..... **19-01**

(52) **U.S. Cl.** ..... **D19/9**

(58) **Field of Classification Search** ..... D19/1-34;  
40/124.01-124.15, 672, 661, 726, 776, 617;  
283/72, 74, 75, 103, 105, 106; 206/449;  
D21/385; D20/10, 22, 27, 40, 42, 11; D14/435-437  
See application file for complete search history.

(56) **References Cited**

**U.S. PATENT DOCUMENTS**

2,294,567	A	9/1942	Mooney	
2,461,054	A	2/1949	Green	
3,098,320	A	7/1963	Estkowski	
3,908,308	A	9/1975	Meyers	
D297,334	S *	8/1988	Trent	D19/34
D309,473	S *	7/1990	Toy	D19/34
D332,113	S *	12/1992	Yates	D19/34
5,210,975	A	5/1993	Beckerman	
5,323,553	A *	6/1994	Candido	40/661
D370,499	S *	6/1996	Bechler et al.	D19/1
5,570,081	A	10/1996	Holstrom	
5,720,129	A	2/1998	Lantinberg	
D394,454	S *	5/1998	Williams et al.	D19/34
D432,174	S	10/2000	Stevens et al.	
D432,176	S	10/2000	Stevens et al.	

D453,336	S *	2/2002	Pentz et al.	D14/436
D453,338	S *	2/2002	Pentz et al.	D14/436
D454,910	S	3/2002	Smith et al.	
D458,633	S	6/2002	Nada et al.	
6,588,658	B1	7/2003	Blank	

(Continued)

*Primary Examiner*—Louis S Zarfaz

*Assistant Examiner*—David G Muller

(74) *Attorney, Agent, or Firm*—Ingrassia Fisher & Lorenz, P.C.

(57) **CLAIM**

The ornamental design for a financial transaction card with stake, as shown and described.

**DESCRIPTION**

The embodiments of the claimed financial transaction card with stake as illustrated herein include a first portion and a second portion, which can be broken off or otherwise separated from the first portion. The first portion is useful as a gift card, credit card, debit card, or other card adapted for access to a financial account or record, for example, a card that can be recharged or “reloaded” at the direction of a user of the card. Such first portion optionally includes a bar code (as illustrated in broken lines in FIG. 3), magnetic stripe, RFID device, computer chip, electronic device, or other element for accessing the financial account or record. In one embodiment, the second portion is useful as a ground stake, for example, to mark where a plant has been planted in the ground or in a pot.

FIG. 1 is a front perspective view of a financial transaction card with stake showing our new design;

FIG. 2 a front view thereof;

FIG. 3 is a rear view thereof;

FIG. 4 is a top view thereof;

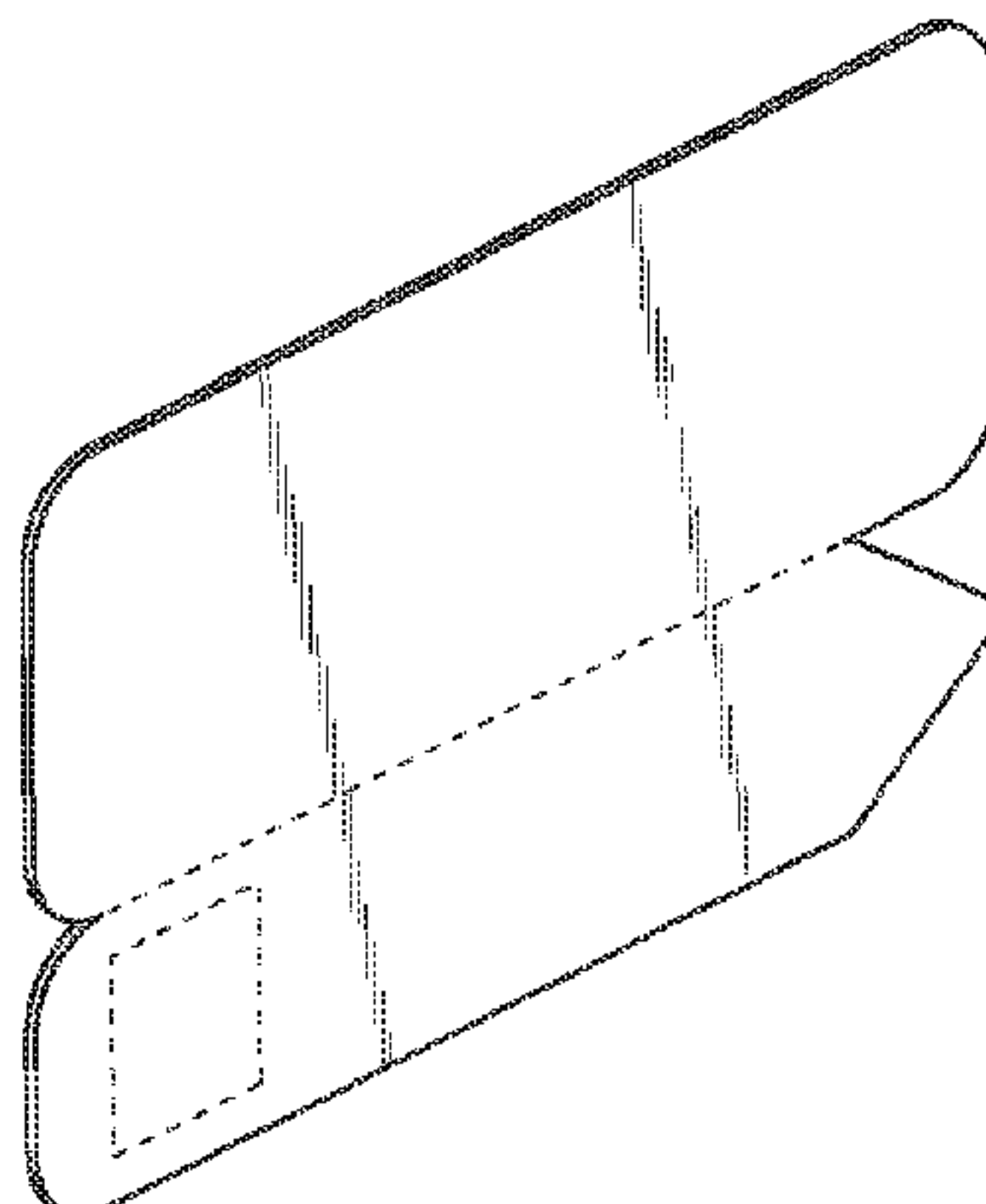
FIG. 5 is a bottom view thereof;

FIG. 6 is a right side view thereof; and,

FIG. 7 is a left side view thereof.

The broken lines shown in the figures are for illustrative purposes only and form no part of the claimed design.

**1 Claim, 2 Drawing Sheets**



# US D575,332 S

Page 2

---

## U.S. PATENT DOCUMENTS

D481,067 S	10/2003	Haas	
6,655,868 B2 *	12/2003	Drew .....	D19/26
D487,907 S	3/2004	Kumakura	
D490,103 S *	5/2004	Rangel et al. ....	D19/10
D493,492 S	7/2004	Best et al.	
D493,840 S	8/2004	Best et al.	
D501,875 S *	2/2005	Dean .....	D19/11
D504,159 S	4/2005	Best et al.	
D512,456 S *	12/2005	Diaz et al. ....	D19/10
7,065,195 B1	6/2006	Smith et al.	
D524,858 S *	7/2006	Graves et al. ....	D19/9
D531,755 S	11/2006	Taylor	
D533,220 S	12/2006	Graves et al.	
D561,252 S	2/2008	Phillips et al.	
2006/0231609 A1	10/2006	Lazarowicz et al.	

\* cited by examiner

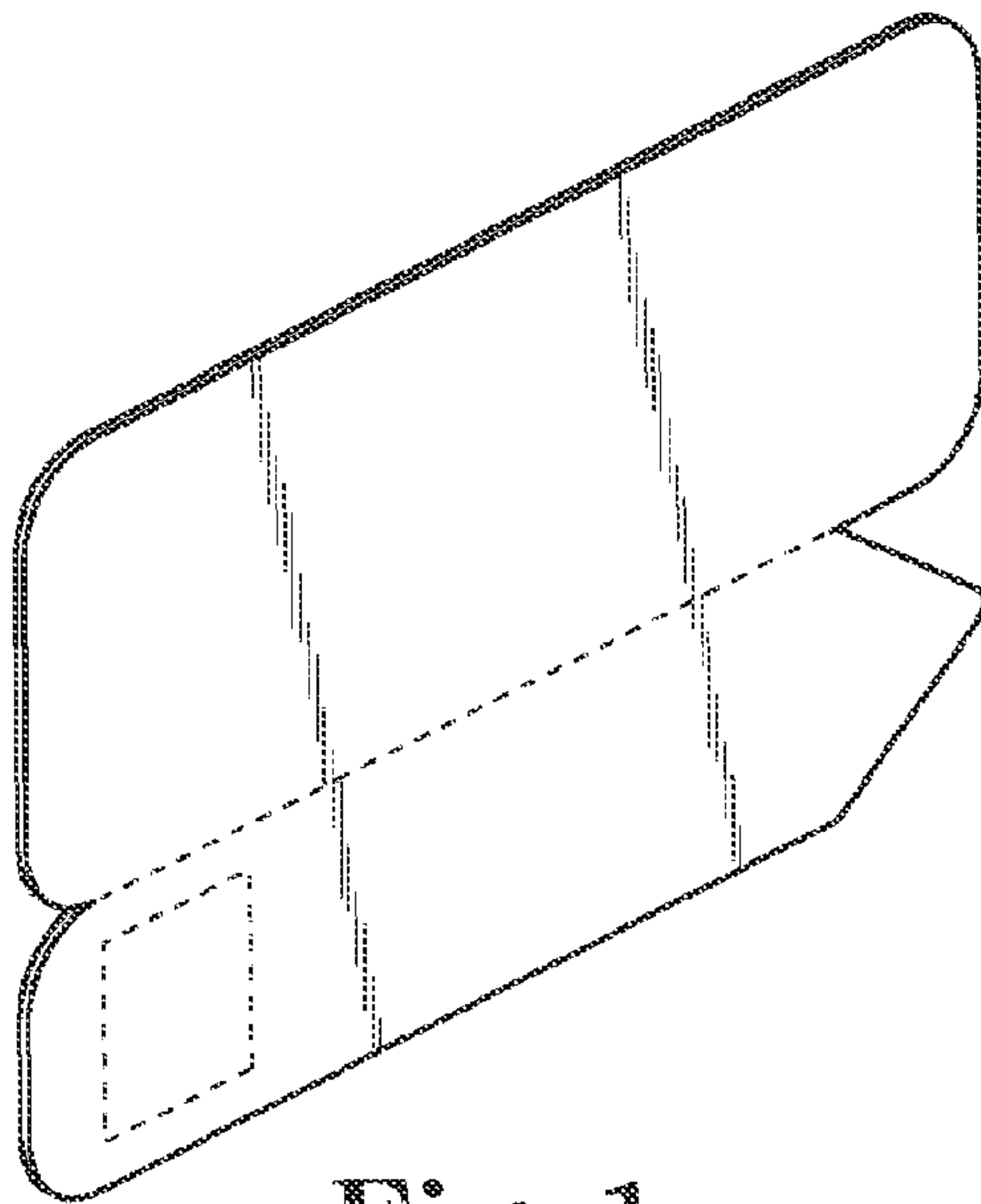


Fig. 1

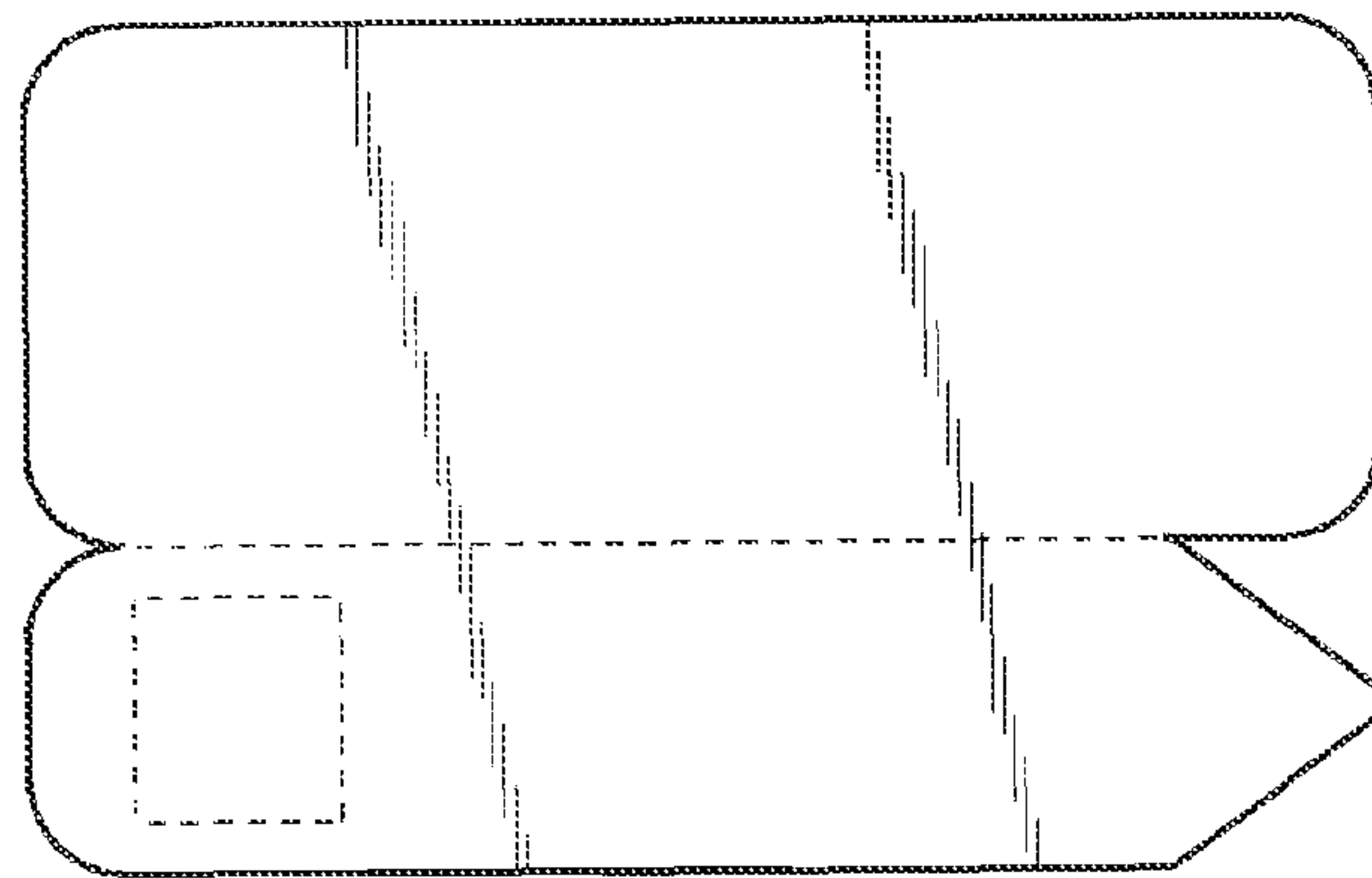


Fig. 2

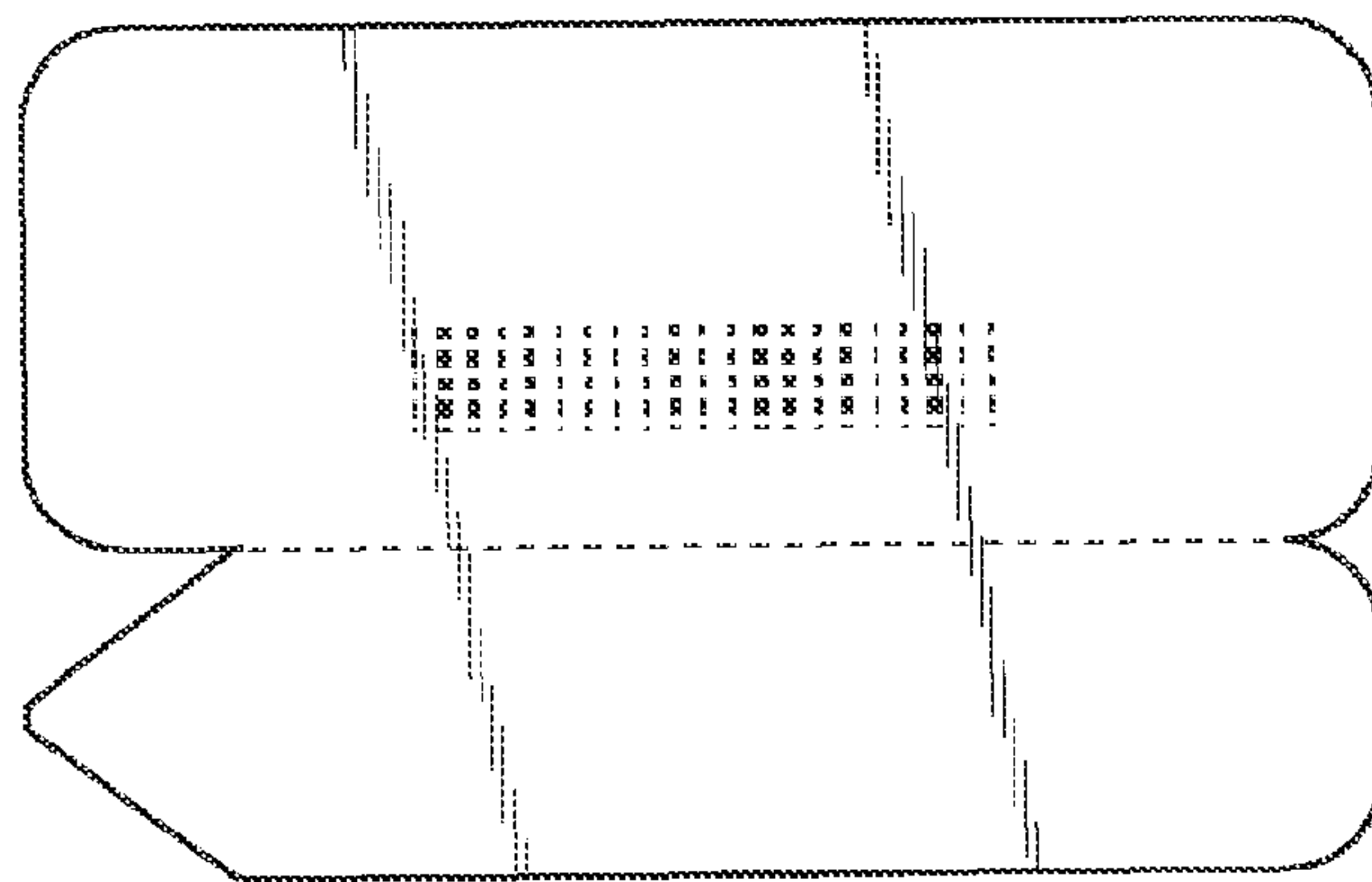


Fig. 3



**Fig. 4**



**Fig. 5**



**Fig. 6**



**Fig. 7**