



US00D575331S

(12) **United States Design Patent**  
**Yuen**

(10) **Patent No.:** **US D575,331 S**

(45) **Date of Patent:** **\*\* Aug. 19, 2008**

(54) **INK CARTRIDGE**

5,732,751 A 3/1998 Schmidt et al.  
5,734,401 A 3/1998 Clark et al.

(76) Inventor: **Kenneth Yuen**, P.O. Box 91778, San Gabriel, CA (US) 91778

(Continued)

(\*\*) Term: **14 Years**

*Primary Examiner*—Cathy Anne MacCormac  
(74) *Attorney, Agent, or Firm*—Merchant & Gould P.C.

(21) Appl. No.: **29/275,952**

(57) **CLAIM**

(22) Filed: **Jan. 10, 2007**

The ornamental design for an ink cartridge, as shown and described.

(51) **LOC (8) Cl.** ..... **18-02**

(52) **U.S. Cl.** ..... **D18/56; 347/86**

(58) **Field of Classification Search** ..... D18/40,  
D18/43, 56; 347/86–87

See application file for complete search history.

**DESCRIPTION**

FIG. 1 is a bottom perspective view of an ink cartridge of the present disclosure;

FIG. 2 is a top view thereof;

FIG. 3 is a bottom view thereof;

FIG. 4 is a right side view thereof;

FIG. 5 is a left view thereof;

FIG. 6 is a rear view thereof; and,

FIG. 7 is a front view thereof.

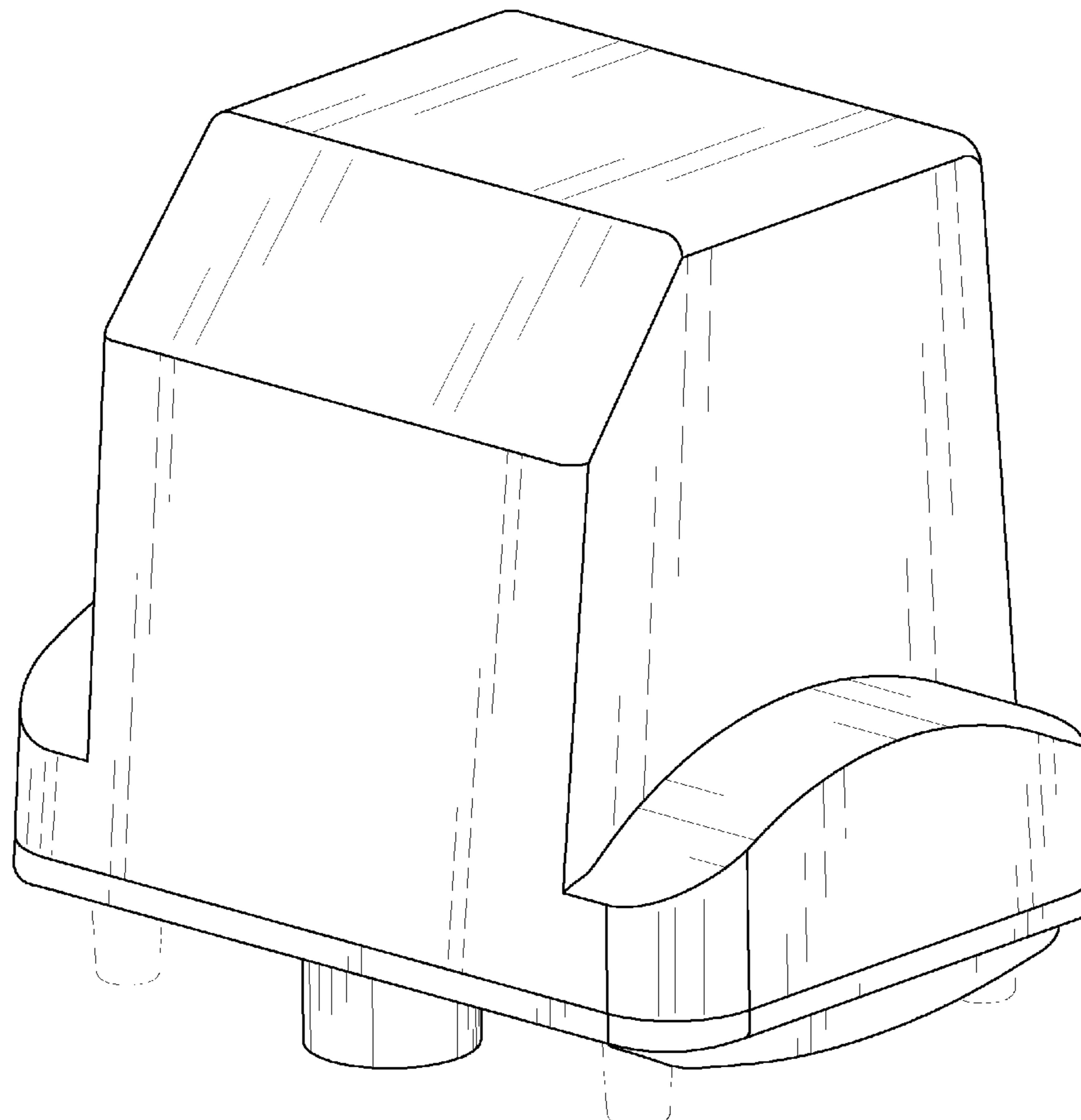
The broken lines are for purposes of illustration only and form no part of the claimed design.

(56) **References Cited**

U.S. PATENT DOCUMENTS

D338,489 S	8/1993	Ujita et al.	
D341,619 S	11/1993	Ujita et al.	
D351,190 S *	10/1994	Oshima et al.	..... D18/56
5,359,357 A	10/1994	Takagi et al.	
D355,928 S	2/1995	Tokuda et al.	
D383,488 S	9/1997	Sasaki	
5,699,091 A	12/1997	Bullock et al.	
D390,259 S	2/1998	Inoue et al.	
D391,293 S *	2/1998	Hino et al.	..... D18/56

**1 Claim, 7 Drawing Sheets**



# US D575,331 S

U.S. PATENT DOCUMENTS					
5,777,646 A	7/1998	Barinaga et al.	6,719,415 B1	4/2004	Hattori et al.
5,784,087 A	7/1998	Wallace et al.	D490,102 S	5/2004	Umeyama et al.
D400,573 S	11/1998	Inoue et al.	D491,221 S	6/2004	Umeyama et al.
5,854,646 A	12/1998	Barinaga et al.	6,793,329 B2	9/2004	Batthey et al.
5,856,840 A	1/1999	Barinaga et al.	6,824,258 B2	11/2004	Yamamoto et al.
5,900,896 A	5/1999	Barinaga et al.	6,877,849 B2	4/2005	Gonzales
5,917,526 A	6/1999	Wilson et al.	6,922,259 B2	7/2005	Bullock et al.
5,939,357 A	8/1999	Jones et al.	6,945,642 B2	9/2005	Yamamoto et al.
5,949,459 A	9/1999	Gasvoda et al.	6,948,805 B2	9/2005	Hankins et al.
5,953,031 A	9/1999	Omata et al.	6,959,985 B2	11/2005	Steinmetz et al.
5,956,057 A	9/1999	Childers et al.	6,962,408 B2	11/2005	Steinmetz et al.
6,015,209 A	1/2000	Barinaga et al.	6,976,749 B2	12/2005	Sasaki et al.
6,039,430 A	3/2000	Helterline et al.	7,004,564 B2	2/2006	Steinmetz et al.
D422,306 S	4/2000	Gasvoda et al.	D517,599 S	3/2006	Sasaki et al.
D425,553 S	5/2000	Gasvoda et al.	D527,417 S *	8/2006	Steinmetz et al. .... D18/56
6,065,824 A	5/2000	Bullock et al.	7,890,343	8/2006	Steinmetz et al.
6,068,371 A	5/2000	Wallace et al.	D527,763 S *	9/2006	Steinmetz et al. .... D18/56
6,089,687 A	7/2000	Helterline	7,104,630 B2	9/2006	Steinmetz et al.
6,132,036 A	10/2000	Abe et al.	7,128,409 B2 *	10/2006	Steinmetz et al. .... 347/86
6,168,262 B1	1/2001	Clark et al.	7,147,310 B2 *	12/2006	Steinmetz et al. .... 347/86
6,170,937 B1	1/2001	Childers et al.	D534,948 S *	1/2007	Steinmetz et al. .... D18/56
6,183,077 B1	2/2001	Hmelar et al.	D541,850 S *	5/2007	Steinmetz et al. .... D18/56
D438,897 S	3/2001	Hatasa et al.	D549,279 S *	8/2007	Steinmetz et al. .... D18/56
6,203,147 B1	3/2001	Batthey et al.	7,252,369 B2 *	8/2007	Nakamura et al. .... 347/86
6,220,701 B1	4/2001	Umemura	7,300,140 B2 *	11/2007	Silverbrook et al. .... 347/86
6,227,638 B1	5/2001	Childers et al.	2001/0015738 A1	8/2001	Childers et al.
6,243,116 B1	6/2001	Kotaki et al.	2001/0033306 A1	10/2001	Hatasa et al.
6,264,301 B1	7/2001	Helterline et al.	2001/0033315 A1	10/2001	Hatasa et al.
6,264,314 B1	7/2001	Mochizuki et al.	2002/0051045 A1	5/2002	Koshikawa et al.
6,270,209 B1	8/2001	Shimomura	2002/0180845 A1 *	12/2002	Barinaga et al. .... 347/86
6,271,928 B1	8/2001	Bullock et al.	2003/0234844 A1	12/2003	Yamamoto et al.
6,286,949 B1	9/2001	Lewis et al.	2004/0021751 A1	2/2004	Steinmetz et al.
6,290,347 B1 *	9/2001	Stolk et al. .... 347/86	2004/0027432 A1	2/2004	Childers et al.
D449,643 S	10/2001	Hatasa et al.	2004/0090503 A1 *	5/2004	Kotaki et al. .... 347/86
6,296,353 B1	10/2001	Thielman et al.	2004/0183870 A1	9/2004	Steinmetz et al.
6,322,205 B1	11/2001	Childers et al.	2004/0183871 A1	9/2004	Childers et al.
6,386,675 B2	5/2002	Wilson et al.	2004/0183873 A1	9/2004	Steinmetz et al.
D461,203 S	8/2002	Nanjo et al.	2004/0218024 A1	11/2004	Hankins et al.
D461,495 S	8/2002	Nanjo et al.	2004/0227795 A1 *	11/2004	Ujita et al. .... 347/86
6,431,681 B2	8/2002	Hatasa et al.	2005/0024447 A1	2/2005	Steinmetz et al.
6,431,692 B1	8/2002	Thielman et al.	2005/0024451 A1	2/2005	Steinmetz et al.
D464,081 S	10/2002	Nanjo et al.	2005/0024452 A1	2/2005	Steinmetz et al.
6,471,333 B1	10/2002	Powell et al.	2005/0024453 A1	2/2005	Steinmetz et al.
6,540,342 B2	4/2003	Koshikawa et al.	2005/0128263 A1 *	6/2005	Nishioka et al. .... 347/86
6,550,899 B1	4/2003	Cowger et al.	2005/0162490 A1	7/2005	Katayama et al.
6,612,690 B1	9/2003	Wallace et al.	2005/0179752 A1	8/2005	Ishizawa et al.
6,648,460 B2	11/2003	Gonzales	2005/0212881 A1	9/2005	Steinmetz et al.
6,692,117 B1	2/2004	Kamp	2006/0001717 A1	1/2006	Sasaki et al.
6,702,427 B2	3/2004	Shimizu et al.			

\* cited by examiner

FIG. 1

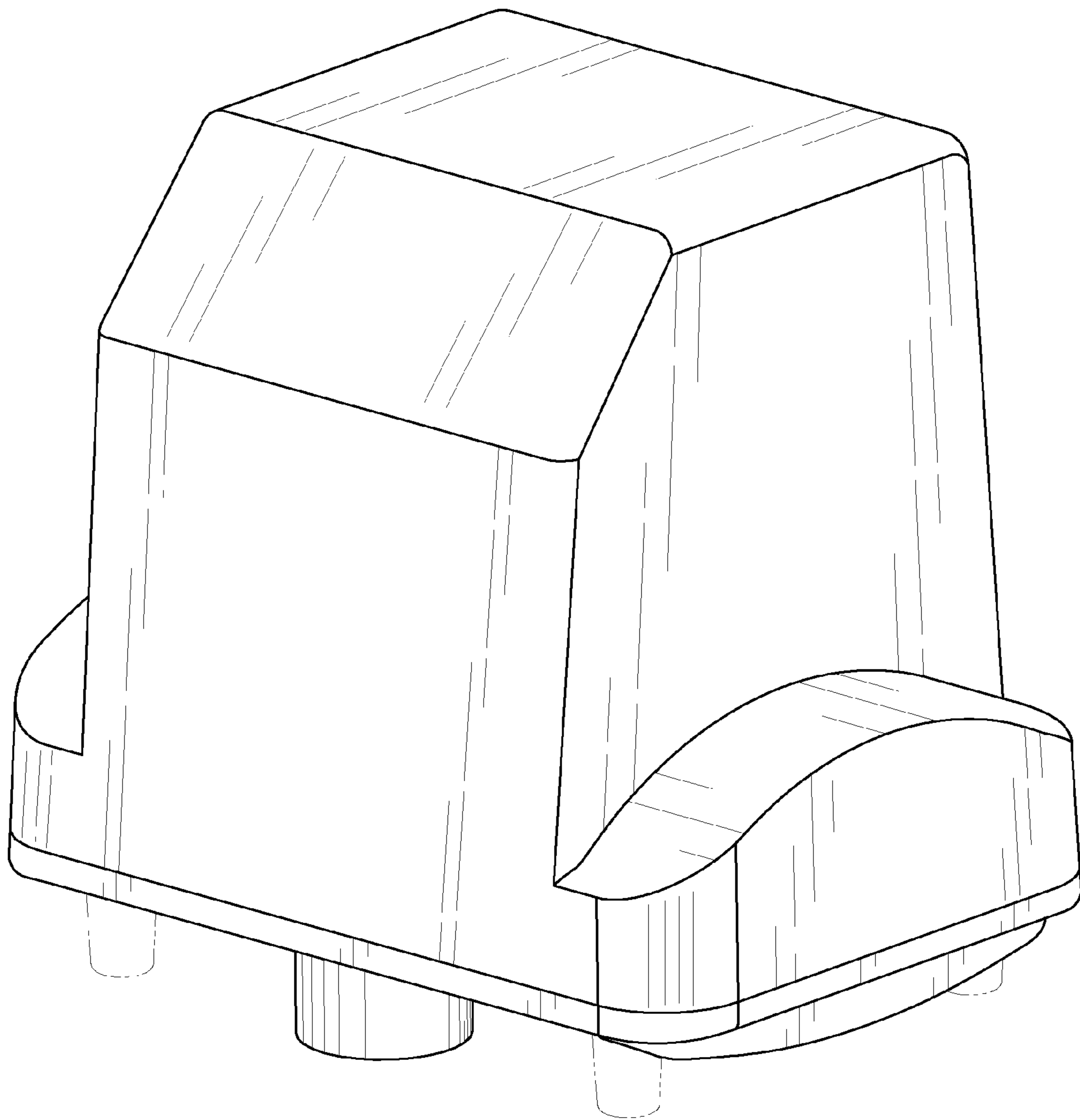


FIG.2

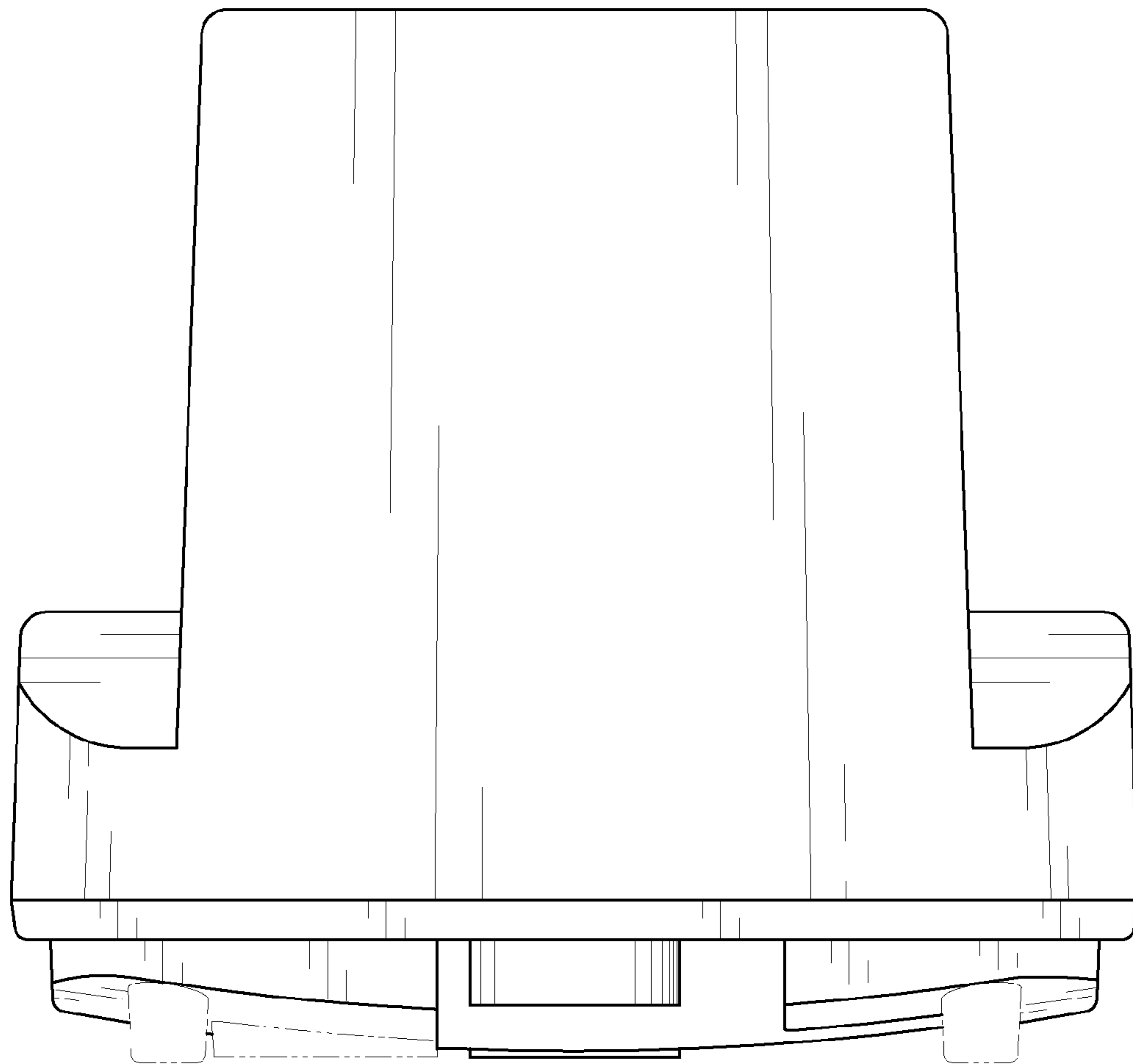


FIG.3

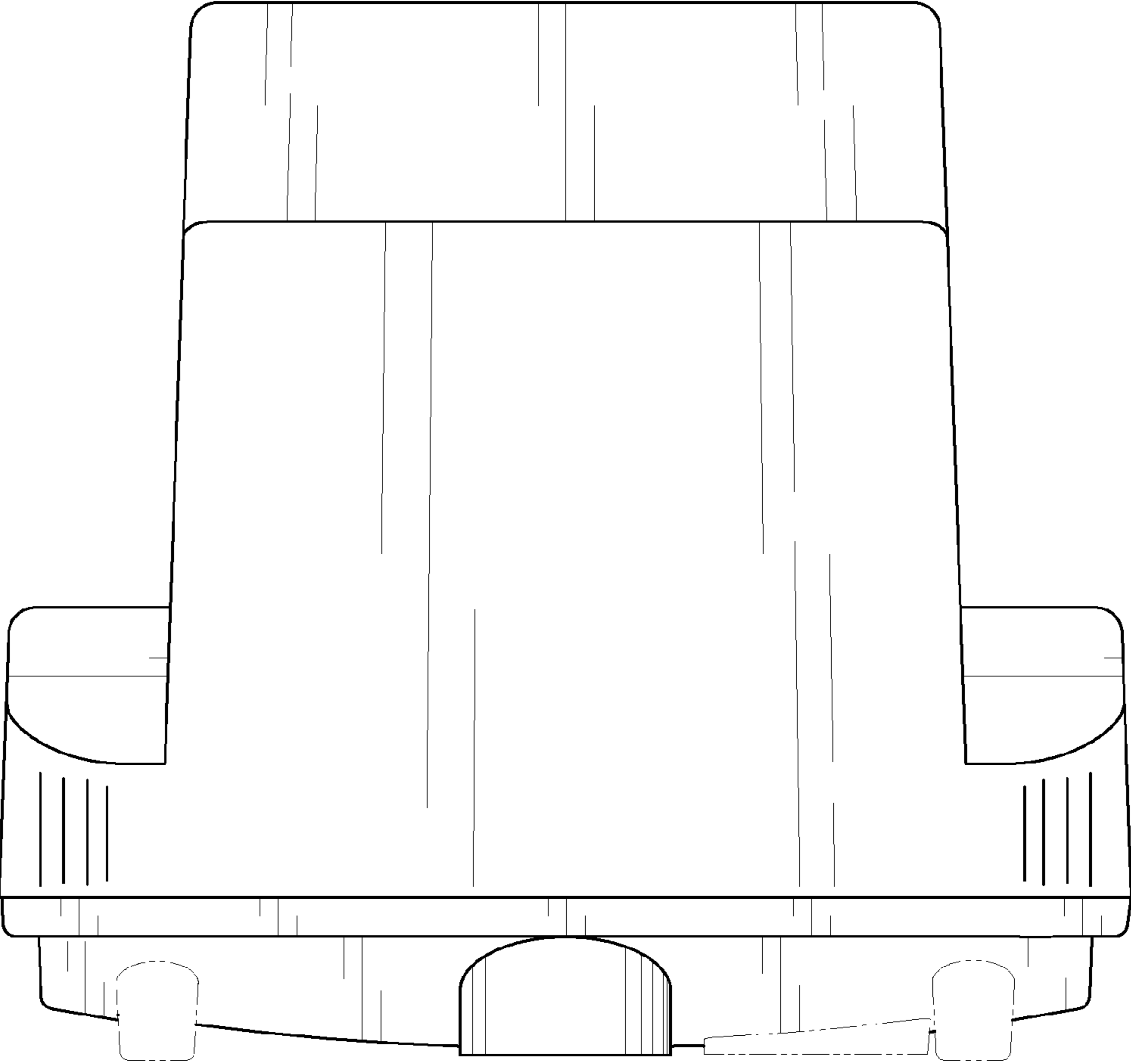


FIG.4

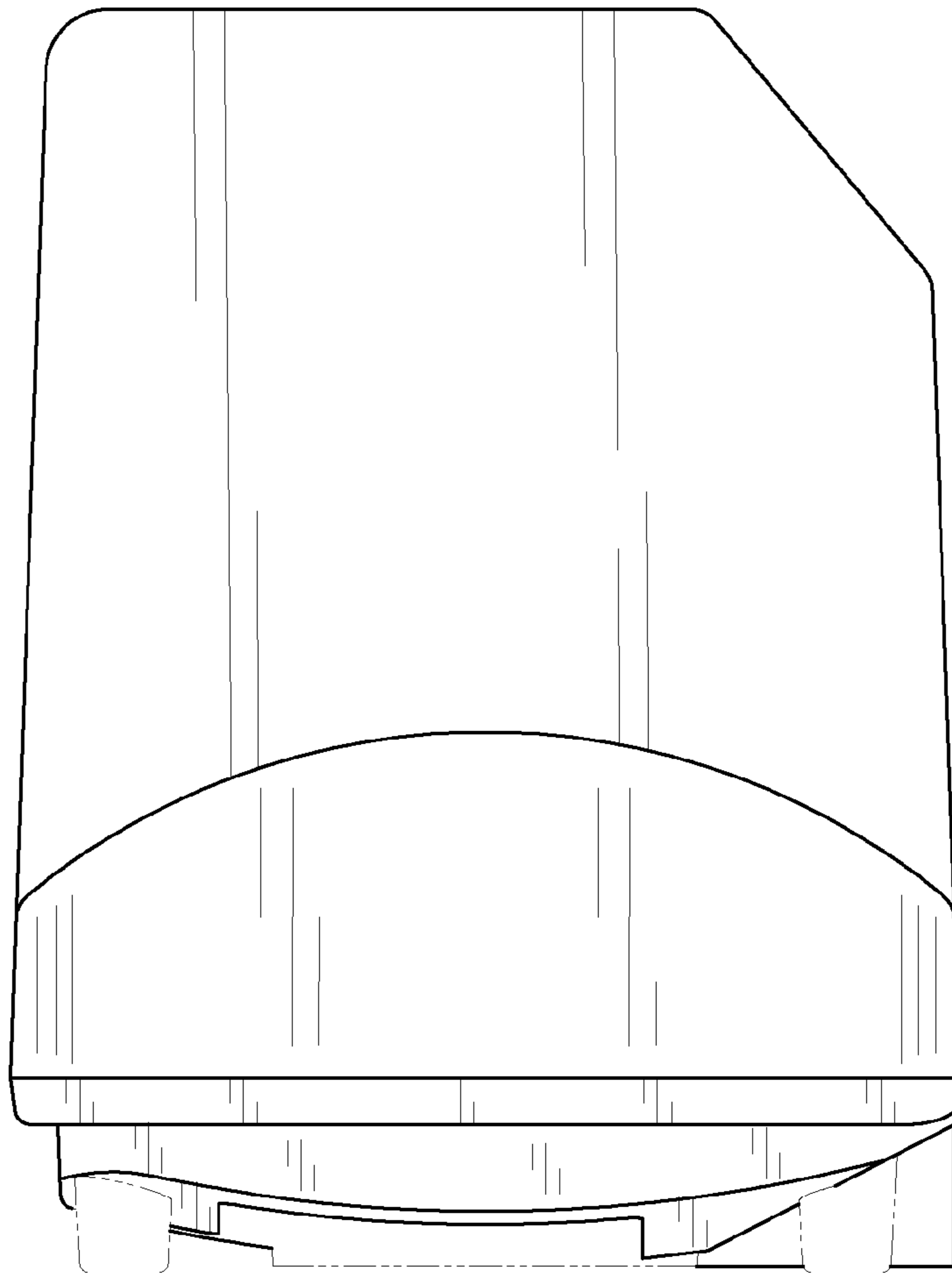


FIG.5

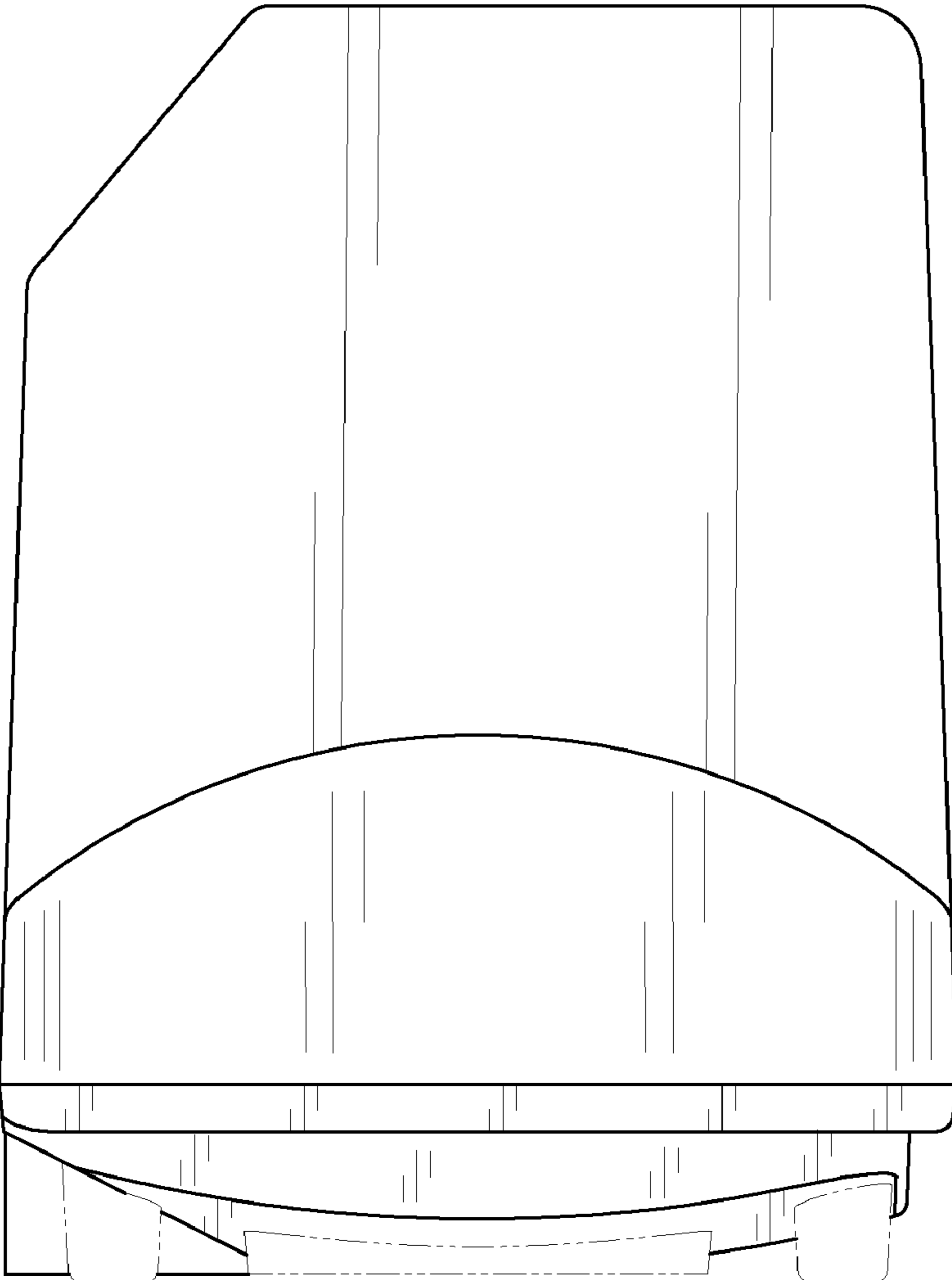




FIG. 6

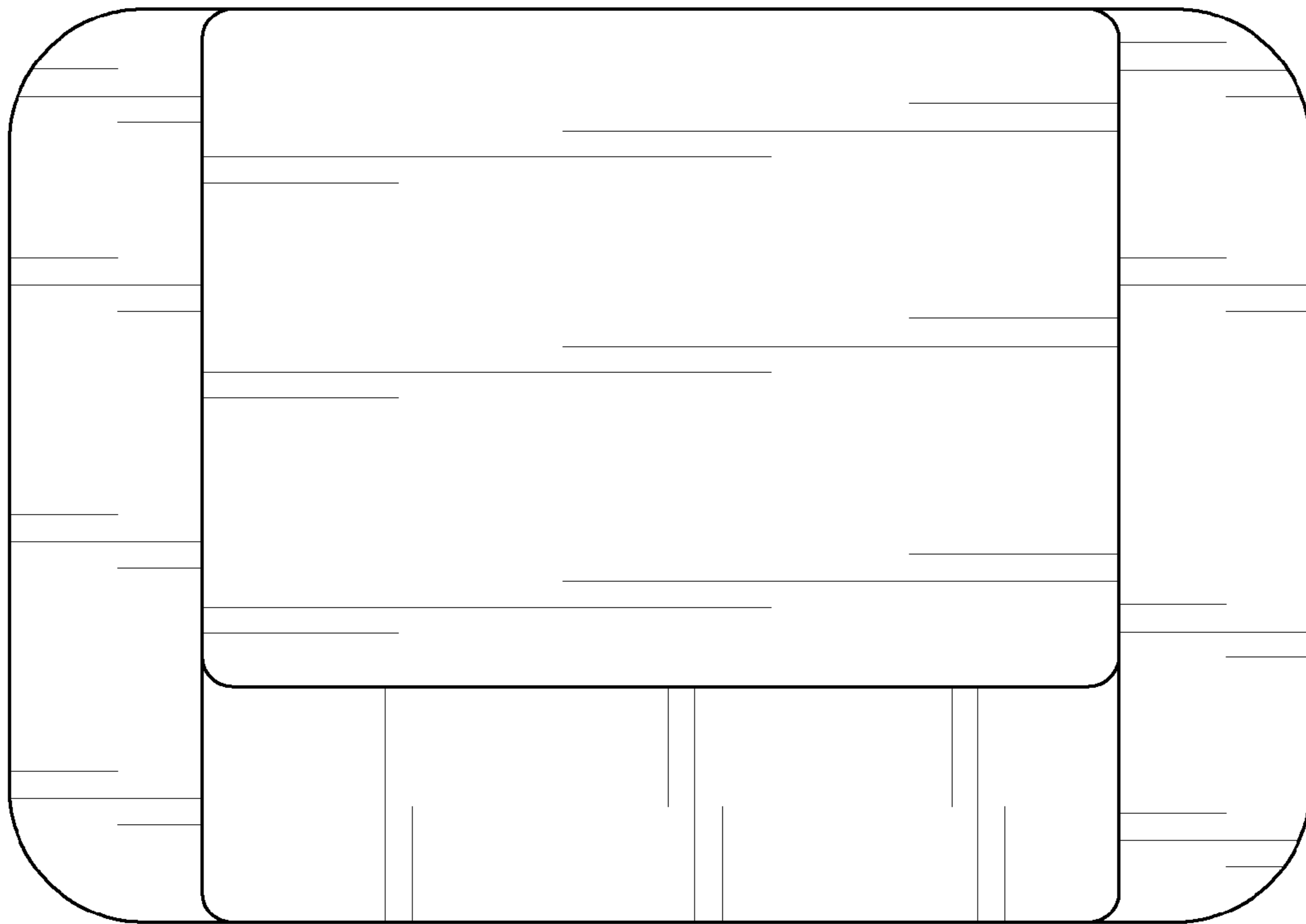




FIG.7

