



US00D575330S

(12) **United States Design Patent**  
**Egami et al.**

(10) **Patent No.:** **US D575,330 S**

(45) **Date of Patent:** **\*\* Aug. 19, 2008**

(54) **PRINTER**

(75) Inventors: **Keiichiro Egami**, Nagoya (JP); **Yosuke Mase**, Aichi-ken (JP)

(73) Assignee: **Brother Industries Ltd.**, Nagoya (JP)

(\*\*) Term: **14 Years**

(21) Appl. No.: **29/272,294**

(22) Filed: **Feb. 6, 2007**

(30) **Foreign Application Priority Data**

Sep. 20, 2006 (JP) ..... 2006-025163

(51) **LOC (8) Cl.** ..... **14-02**

(52) **U.S. Cl.** ..... **D18/55**

(58) **Field of Classification Search** ..... D18/4.4,  
D18/36-39, 41, 50, 53, 54-55; D14/420,  
D14/462-470; 400/613, 613.1-613.4, 690.1-690.4,  
400/691-694

See application file for complete search history.

(56) **References Cited**

**U.S. PATENT DOCUMENTS**

- D456,834 S \* 5/2002 Fetherolf et al. .... D18/36
- D502,500 S \* 3/2005 Hoshiya et al. .... D18/50
- D534,175 S \* 12/2006 Orihashi et al. .... D14/463
- D534,578 S \* 1/2007 Katayama et al. .... D18/55
- D536,372 S \* 2/2007 Lim et al. .... D18/53
- D537,109 S \* 2/2007 Mizusugi et al. .... D18/39

- D537,866 S \* 3/2007 Matsuda et al. .... D18/39
- D539,283 S \* 3/2007 McIntyre ..... D14/425
- D545,357 S \* 6/2007 Hattori et al. .... D18/55
- D549,769 S \* 8/2007 Kawamura et al. .... D18/39
- D550,279 S \* 9/2007 Tani ..... D18/50
- D551,700 S \* 9/2007 Park et al. .... D18/55
- D555,195 S \* 11/2007 Park et al. .... D18/55
- D557,737 S \* 12/2007 Falk et al. .... D18/53
- D561,824 S \* 2/2008 Park et al. .... D18/55

\* cited by examiner

*Primary Examiner*—Cathy Anne MacCormac

(74) *Attorney, Agent, or Firm*—Olliff & Berridge, PLC

(57) **CLAIM**

The ornamental design for a printer, as shown and described.

**DESCRIPTION**

FIG. 1 is a perspective view of a printer;

FIG. 2 is a front view thereof;

FIG. 3 is a top view thereof;

FIG. 4 is a right side view thereof;

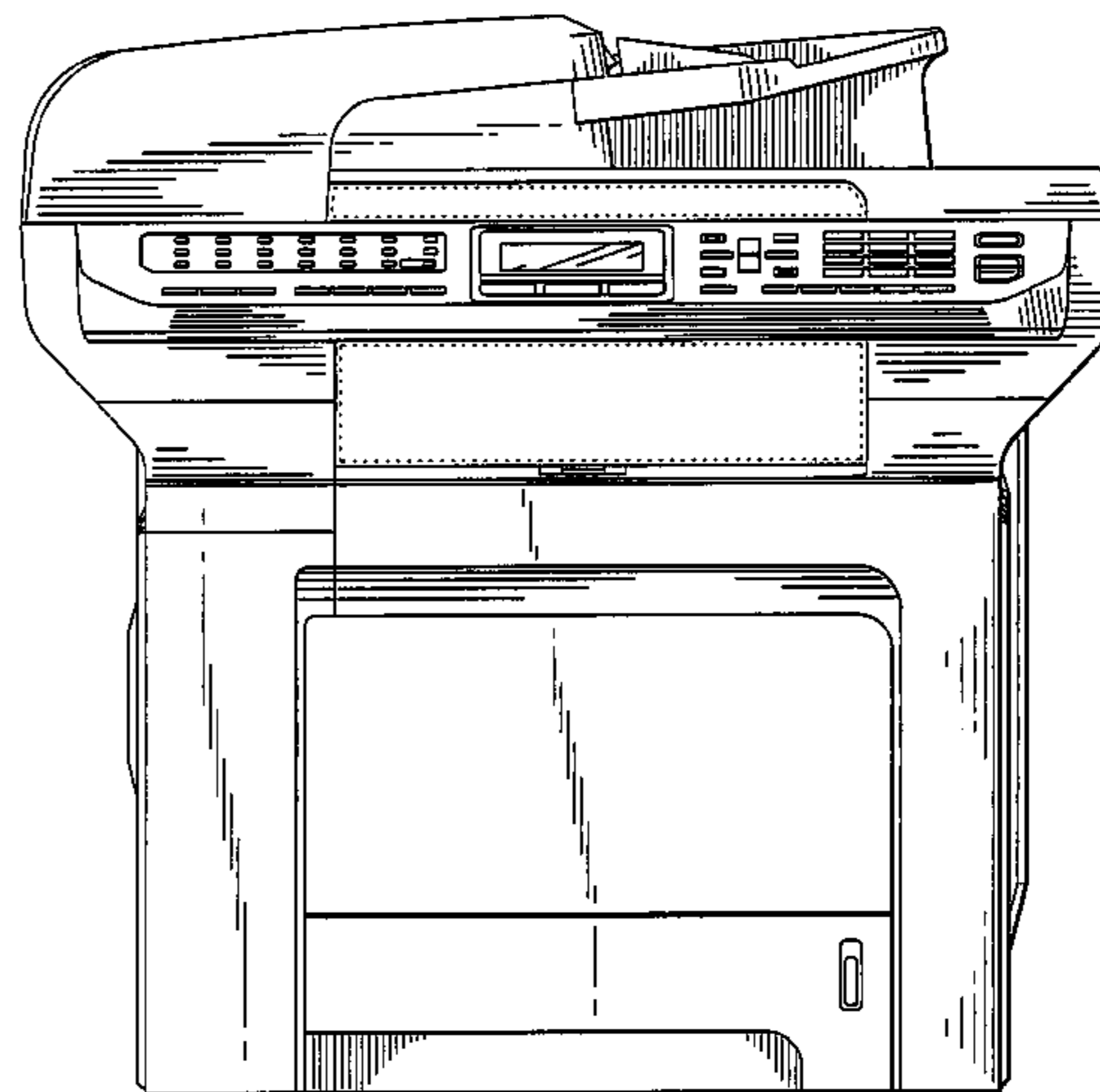
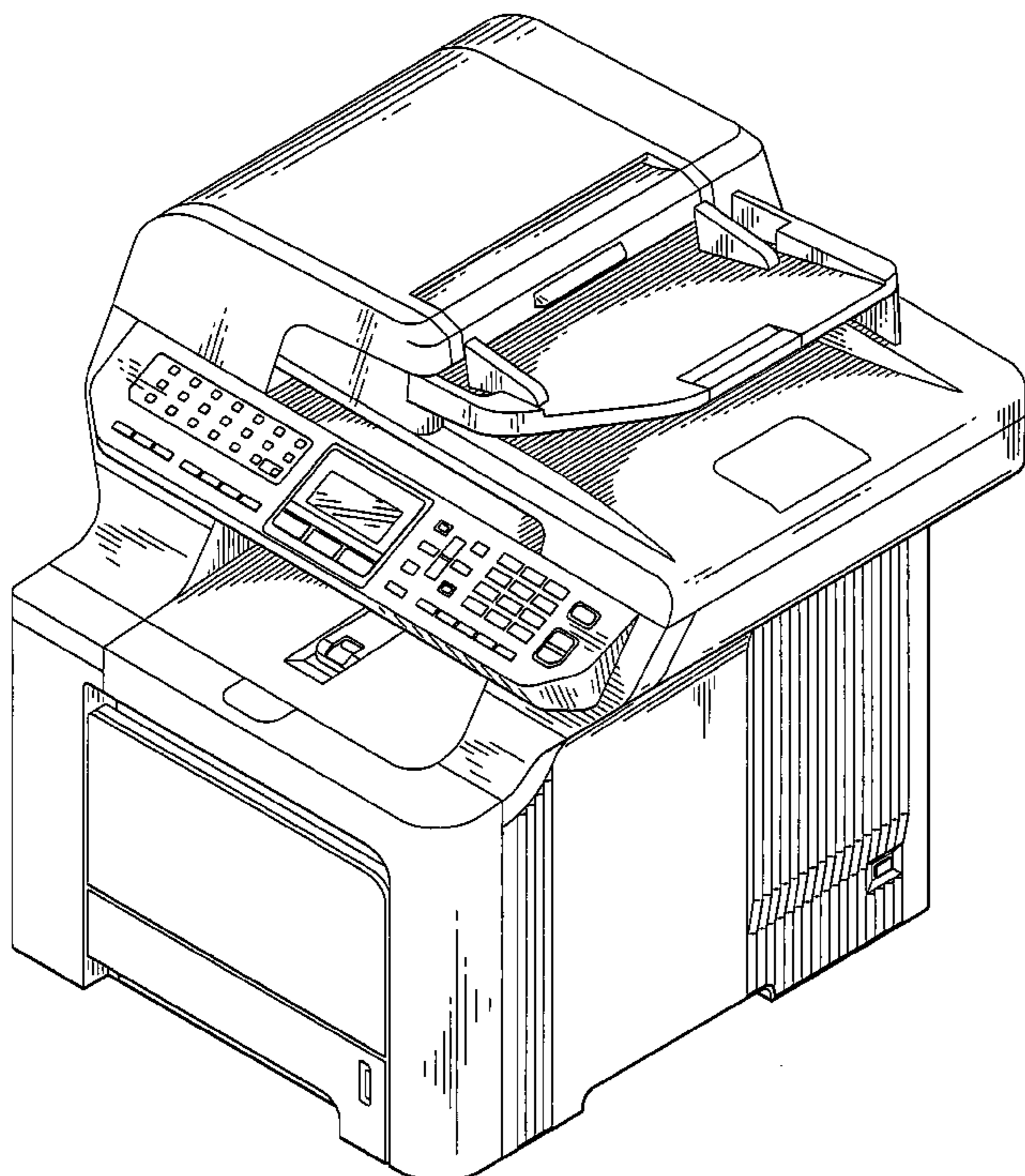
FIG. 5 is a left side view thereof;

FIG. 6 is a rear view thereof; and,

FIG. 7 is a bottom view thereof.

The broken lines are for illustrative purposes only and form no part of the claimed design.

**1 Claim, 7 Drawing Sheets**



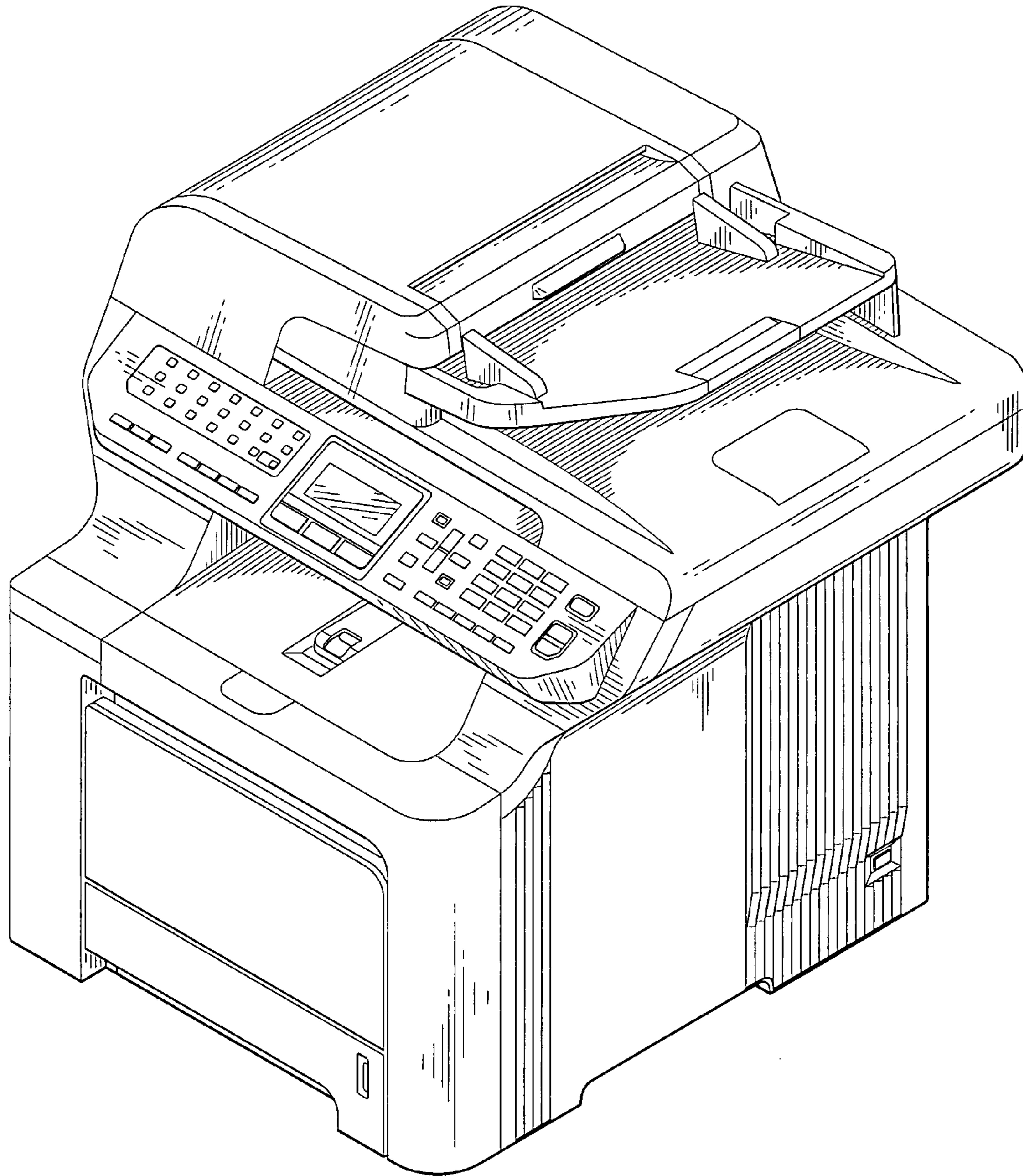


FIG. 1

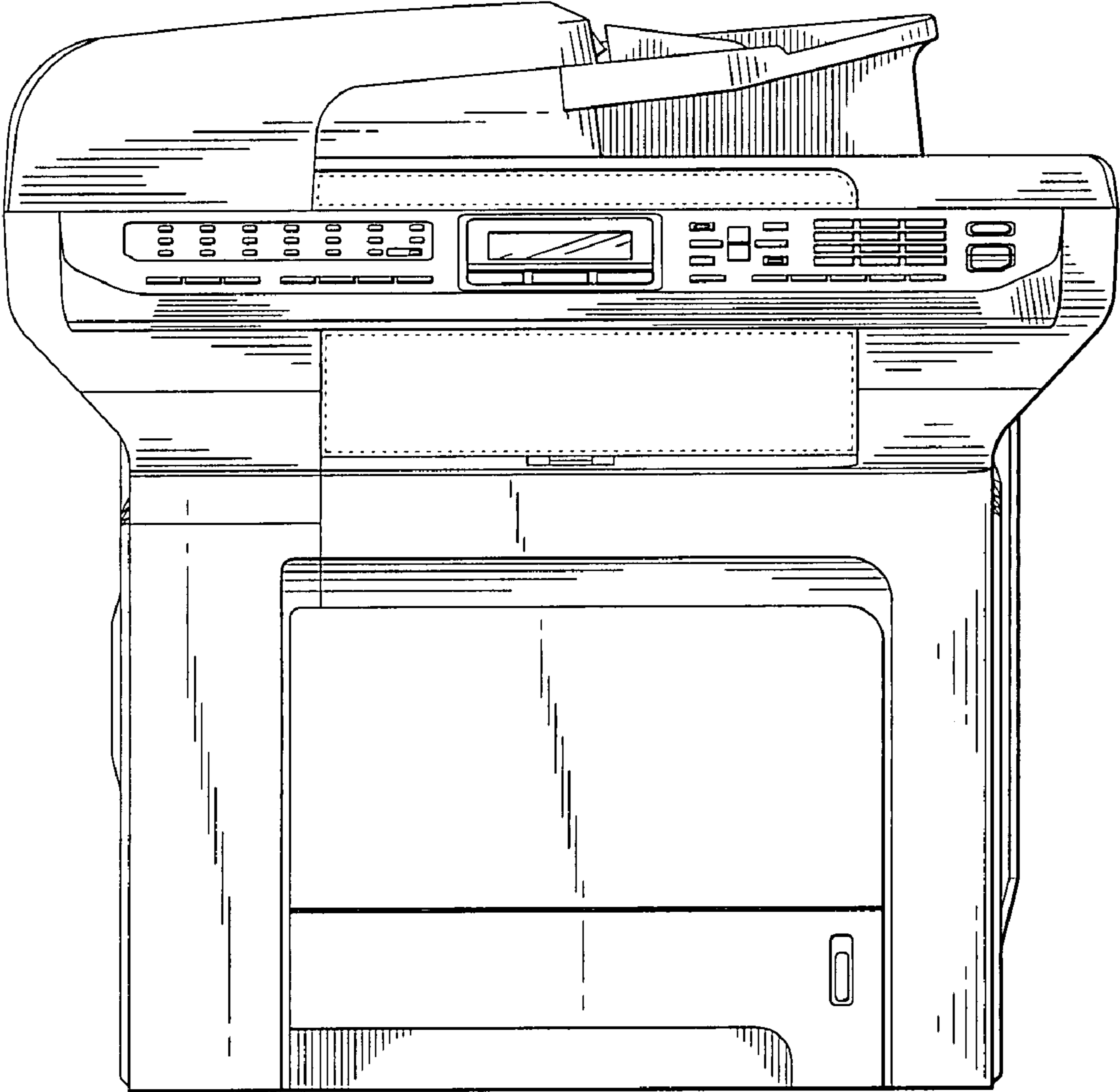


FIG. 2

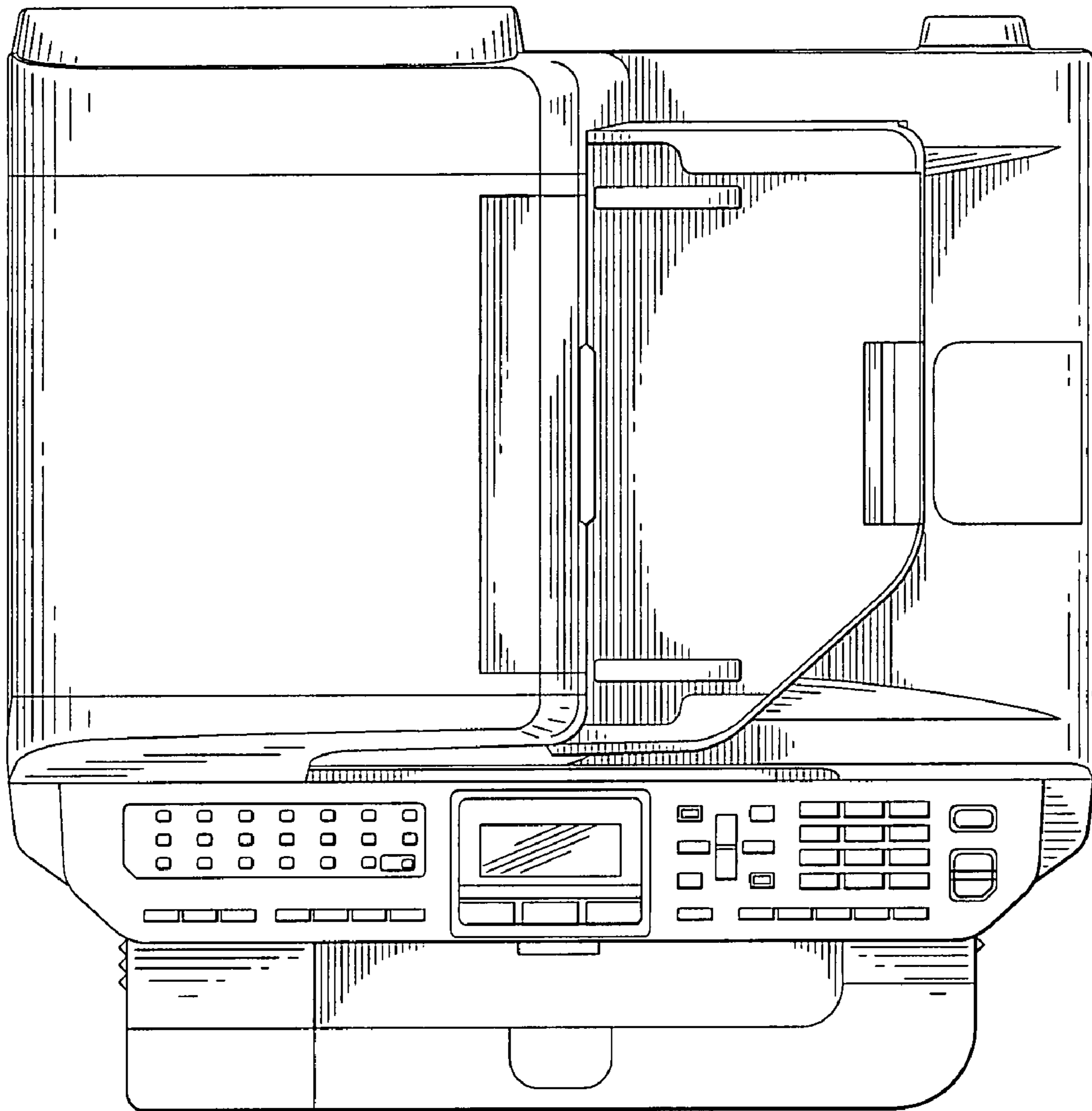


FIG. 3

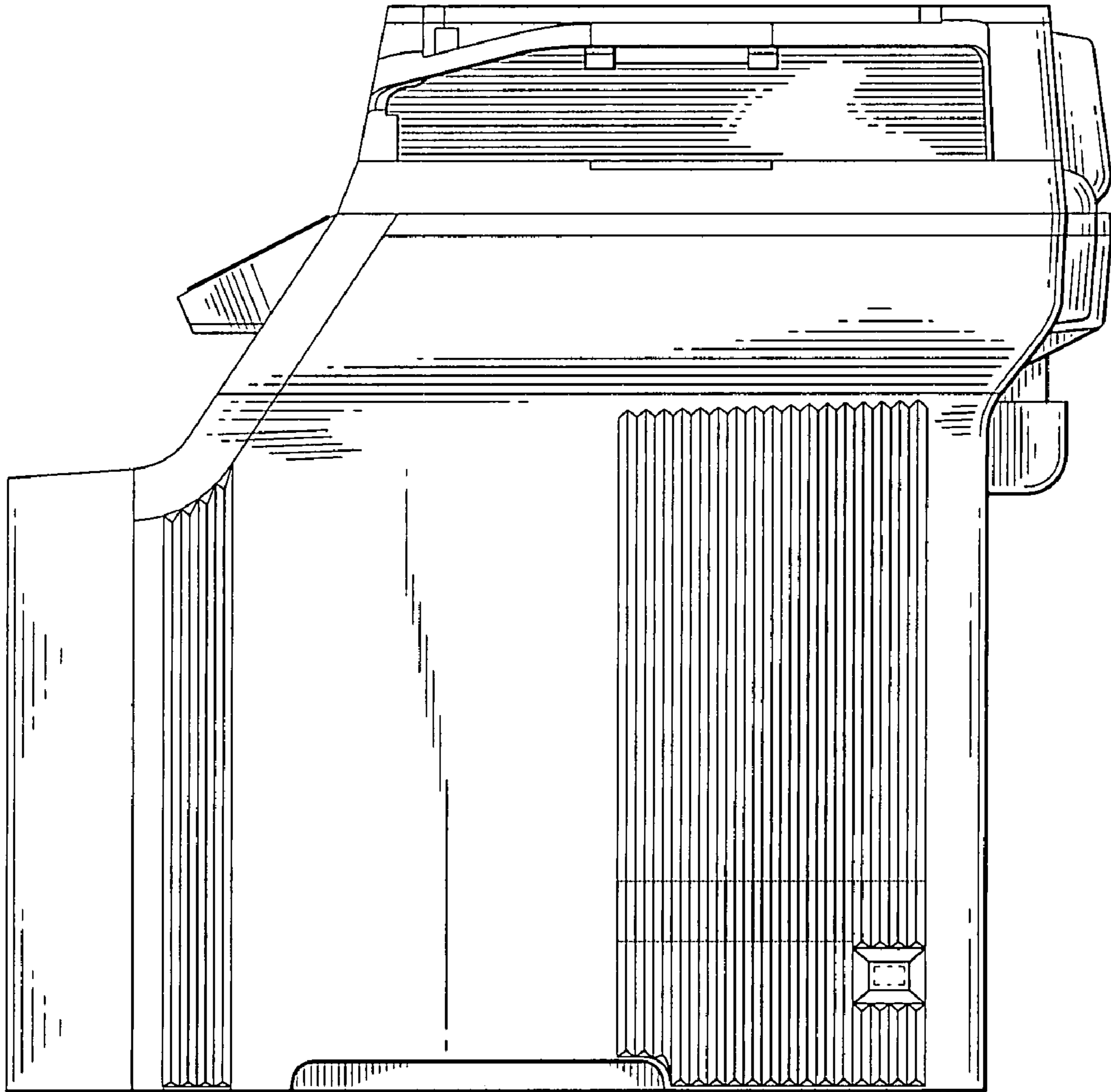


FIG. 4

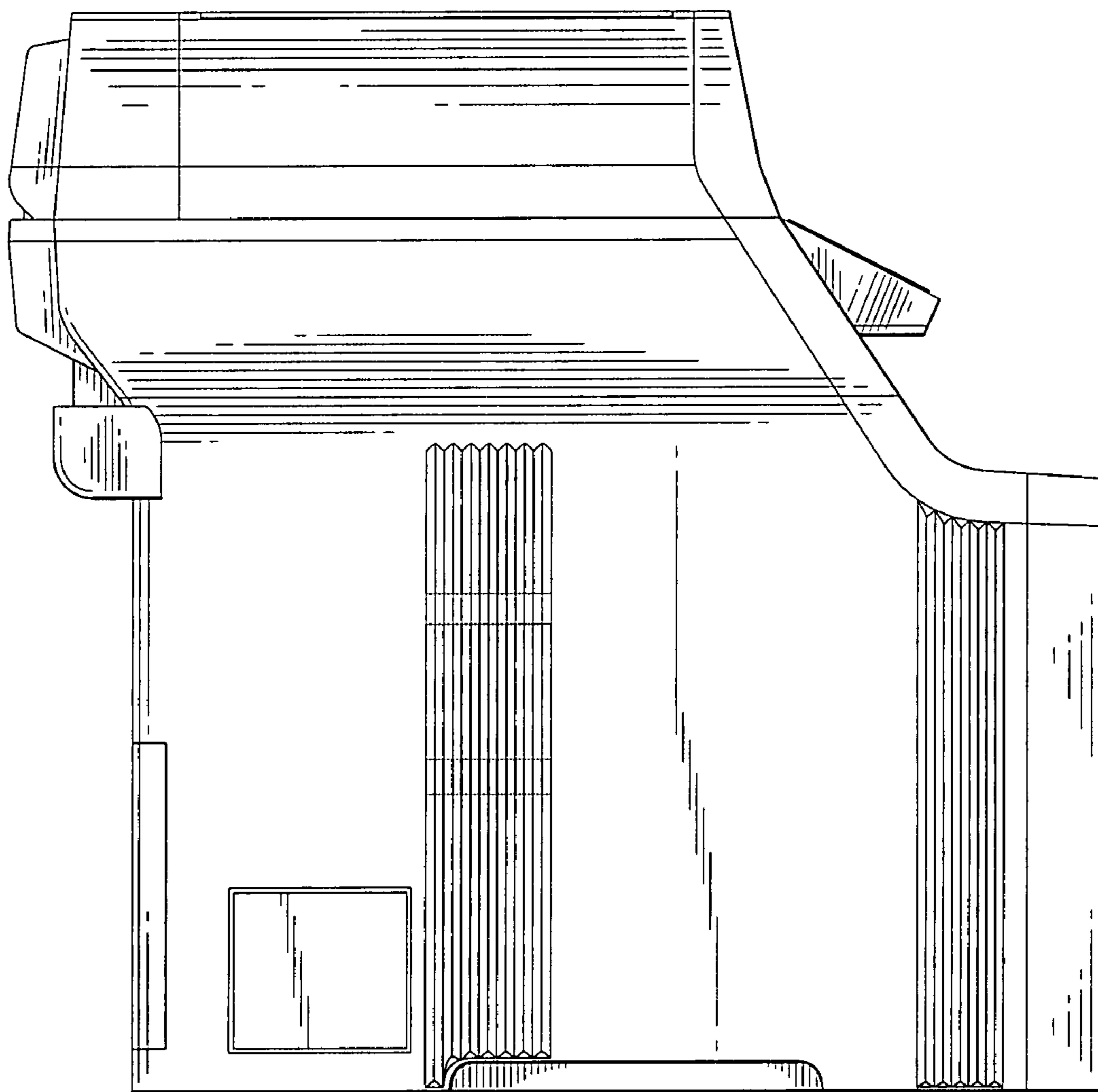


FIG. 5

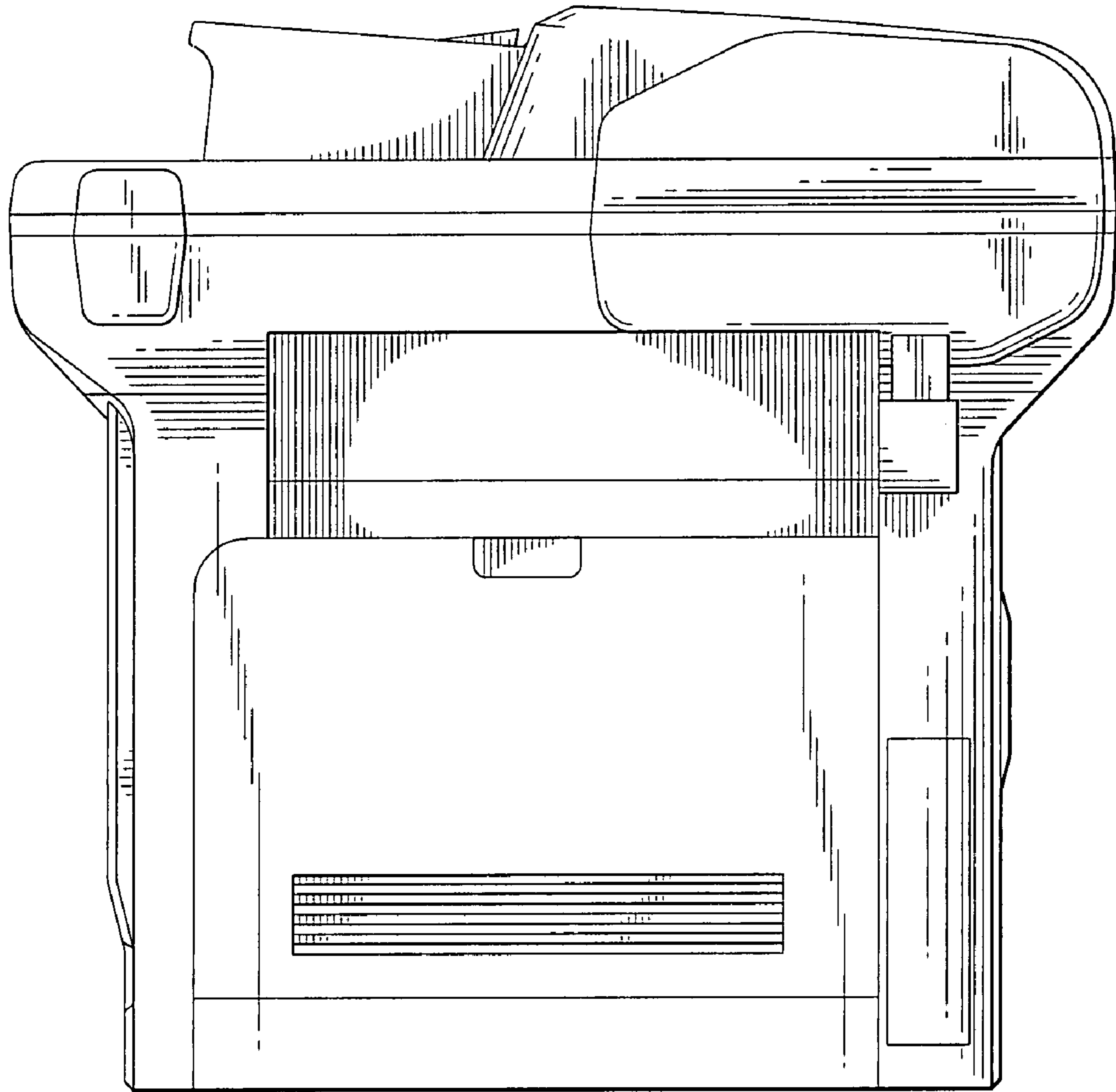


FIG. 6

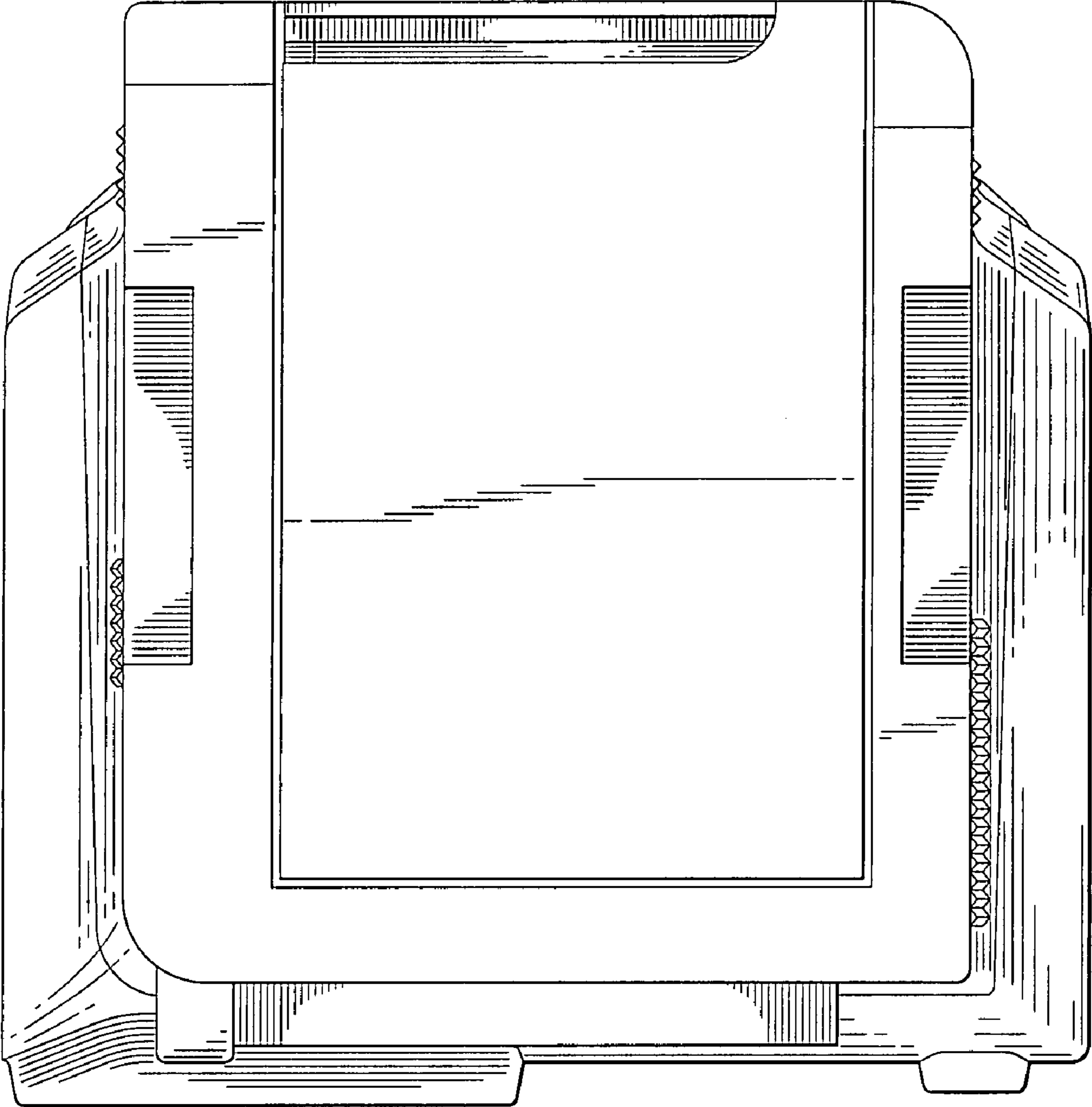


FIG. 7