



US00D575329S

(12) **United States Design Patent**
Burch Gonzalez et al.

(10) **Patent No.:** **US D575,329 S**
(45) **Date of Patent:** **** Aug. 19, 2008**

(54) **MANUFACTURING AND HANDLING
MACHINE FOR LABELS**

D490,461 S * 5/2004 Wehrmann D18/53
D531,206 S * 10/2006 Hegge D18/53

FOREIGN PATENT DOCUMENTS

(75) Inventors: **Ferran Burch Gonzalez**, Salt (ES);
David Miravete Guerrero, Girona (ES)

EP 1 531 031 A1 5/2005

* cited by examiner

(73) Assignee: **Kontrelmec, S.L.**, Aiguaviva (Girona)
(ES)

Primary Examiner—Charles A. Rademaker
(74) *Attorney, Agent, or Firm*—RatnerPrestia

(**) Term: **14 Years**

(57) **CLAIM**

(21) Appl. No.: **29/229,414**

The ornamental design for a manufacturing and handling machine for labels, as shown and described.

(22) Filed: **May 6, 2005**

(51) **LOC (8) Cl.** **18-02**

(52) **U.S. Cl.** **D18/53**

(58) **Field of Classification Search** D18/50,
D18/53, 99; 400/613–613.4, 691–694; 101/93.4,
101/264; 355/78; D15/145

See application file for complete search history.

DESCRIPTION

FIG. 1 is a left and front perspective view of a manufacturing and handling machine for labels showing my new design;

FIG. 2 is a left side perspective view thereof showing the door members in open positions;

FIG. 3 is a left side elevation thereof;

FIG. 4 is a top plan view thereof;

FIG. 5 is a top and right front perspective view of a modified embodiment of the design shown in FIGS. 1 through 4;

FIG. 6 is a left, front perspective view thereof;

FIG. 7 is a left side elevation thereof; and,

FIG. 8 is a top plan view thereof.

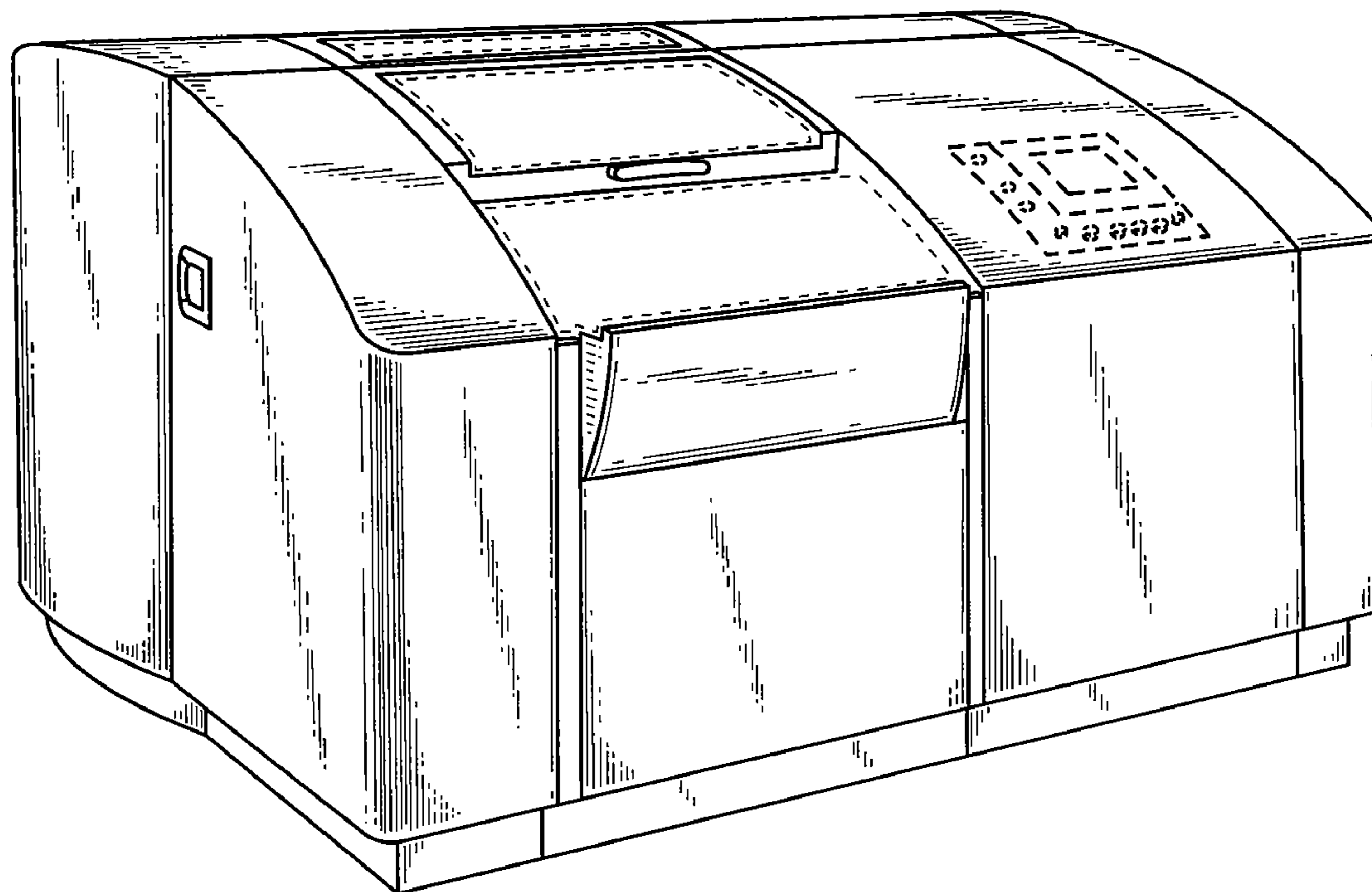
The broken lines shown in the figure drawings represent environmental structures or the boundaries of the claimed design and form no part of the claim.

(56) **References Cited**

U.S. PATENT DOCUMENTS

- D321,000 S * 10/1991 Kitamura et al. D18/53
- D341,155 S * 11/1993 Fujii et al. D18/53
- 5,458,729 A 10/1995 Galchefski et al.
- D396,243 S * 7/1998 Briks et al. D18/53
- D405,108 S * 2/1999 Karafuji et al. D18/53
- D412,525 S * 8/1999 Tachibana et al. D18/53
- D459,390 S * 6/2002 Teodorescu D18/53
- D460,981 S * 7/2002 Tachibana et al. D18/53
- 6,521,074 B1 2/2003 Chabirand Garconnet et al.
- D480,417 S * 10/2003 Nakayama et al. D18/53

1 Claim, 8 Drawing Sheets



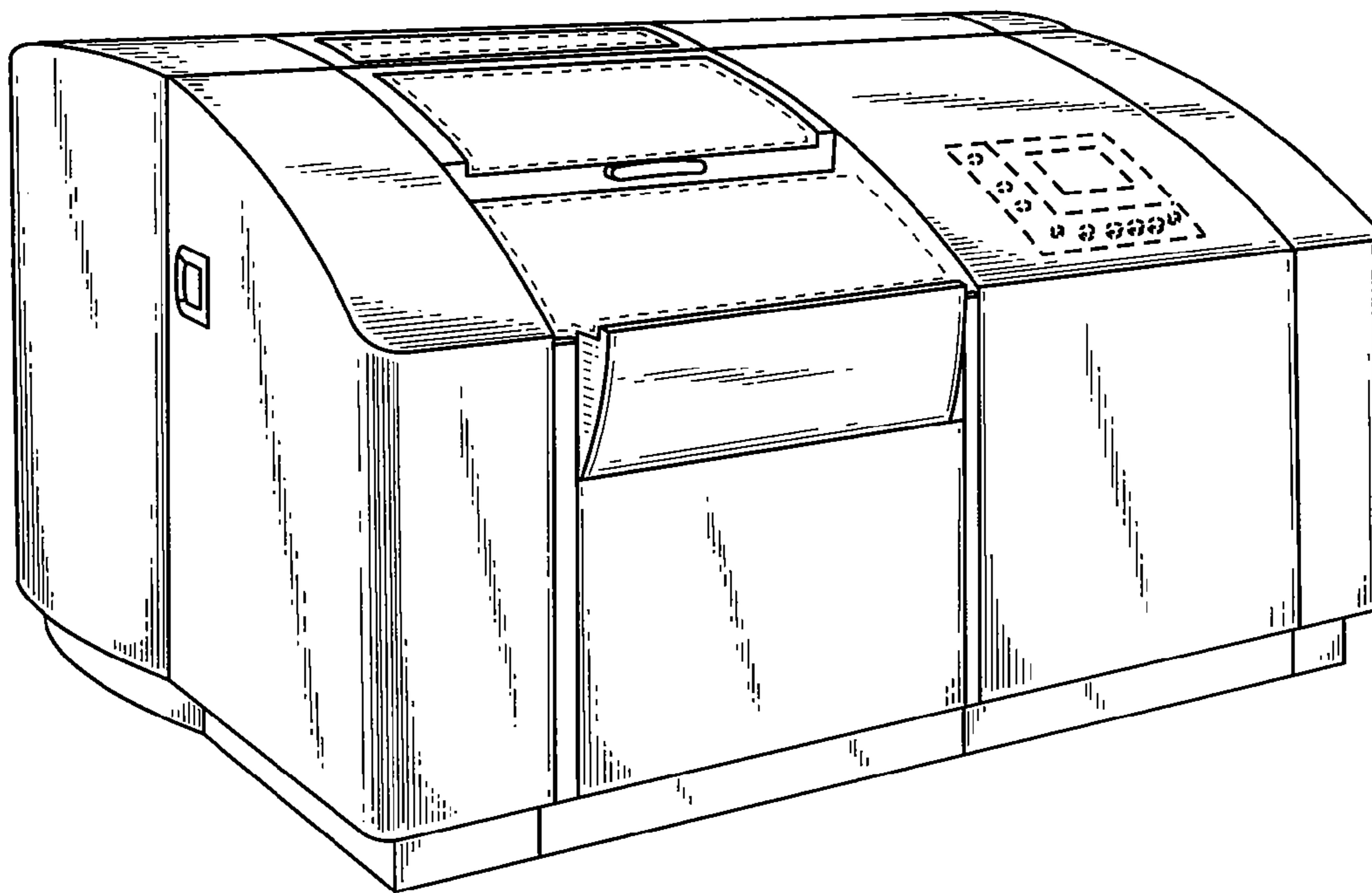


FIG. 1

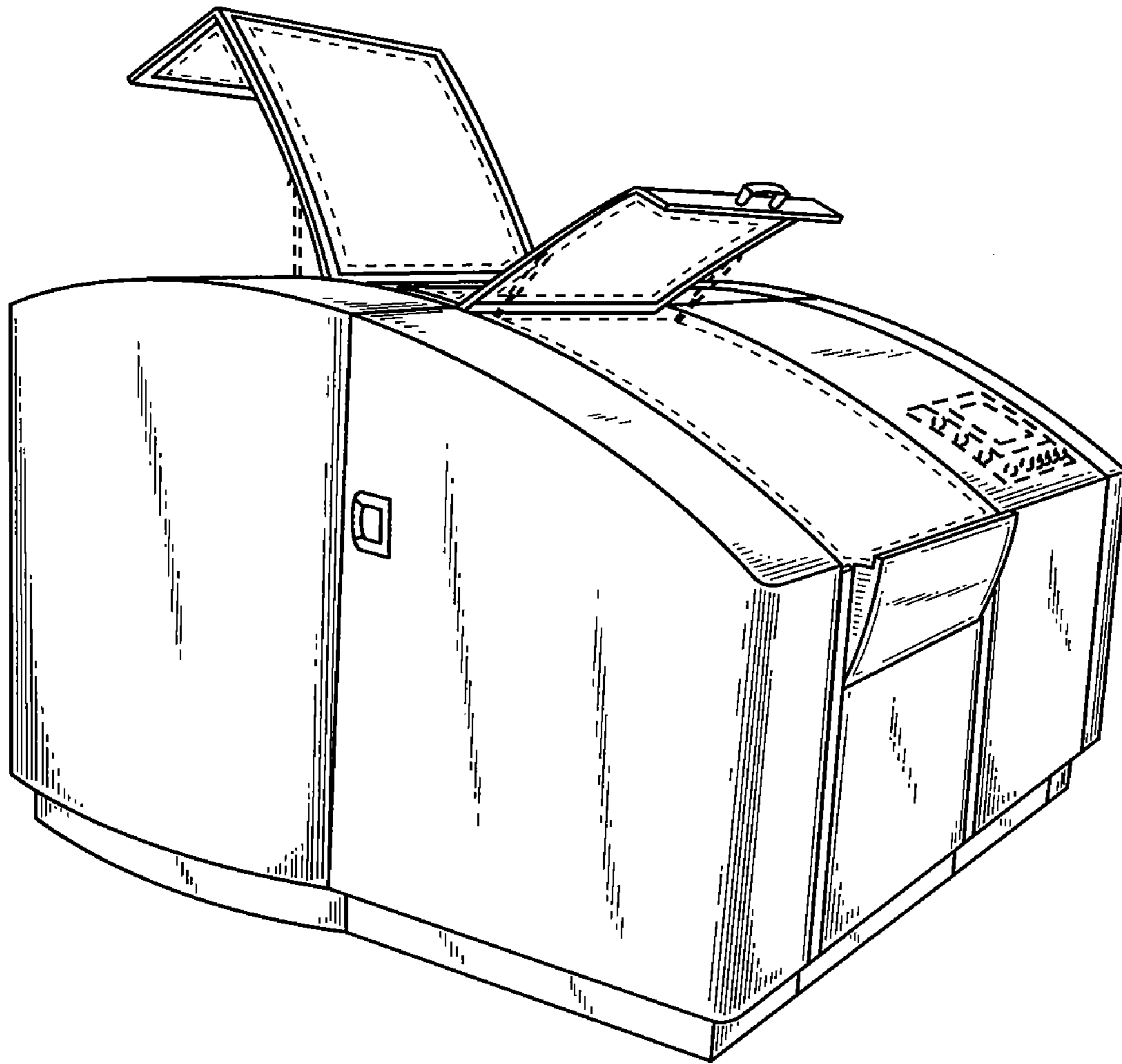


FIG. 2

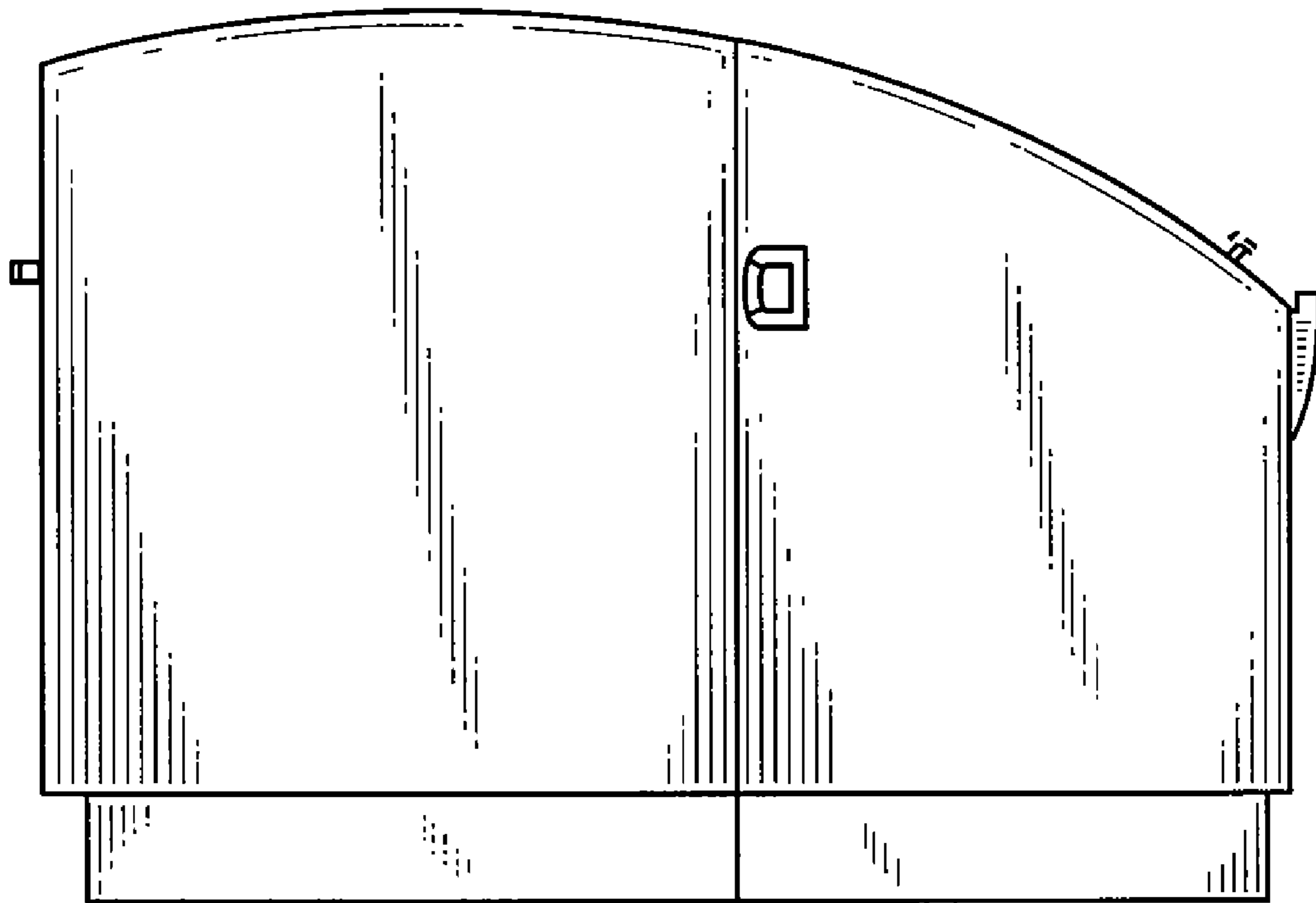


FIG. 3

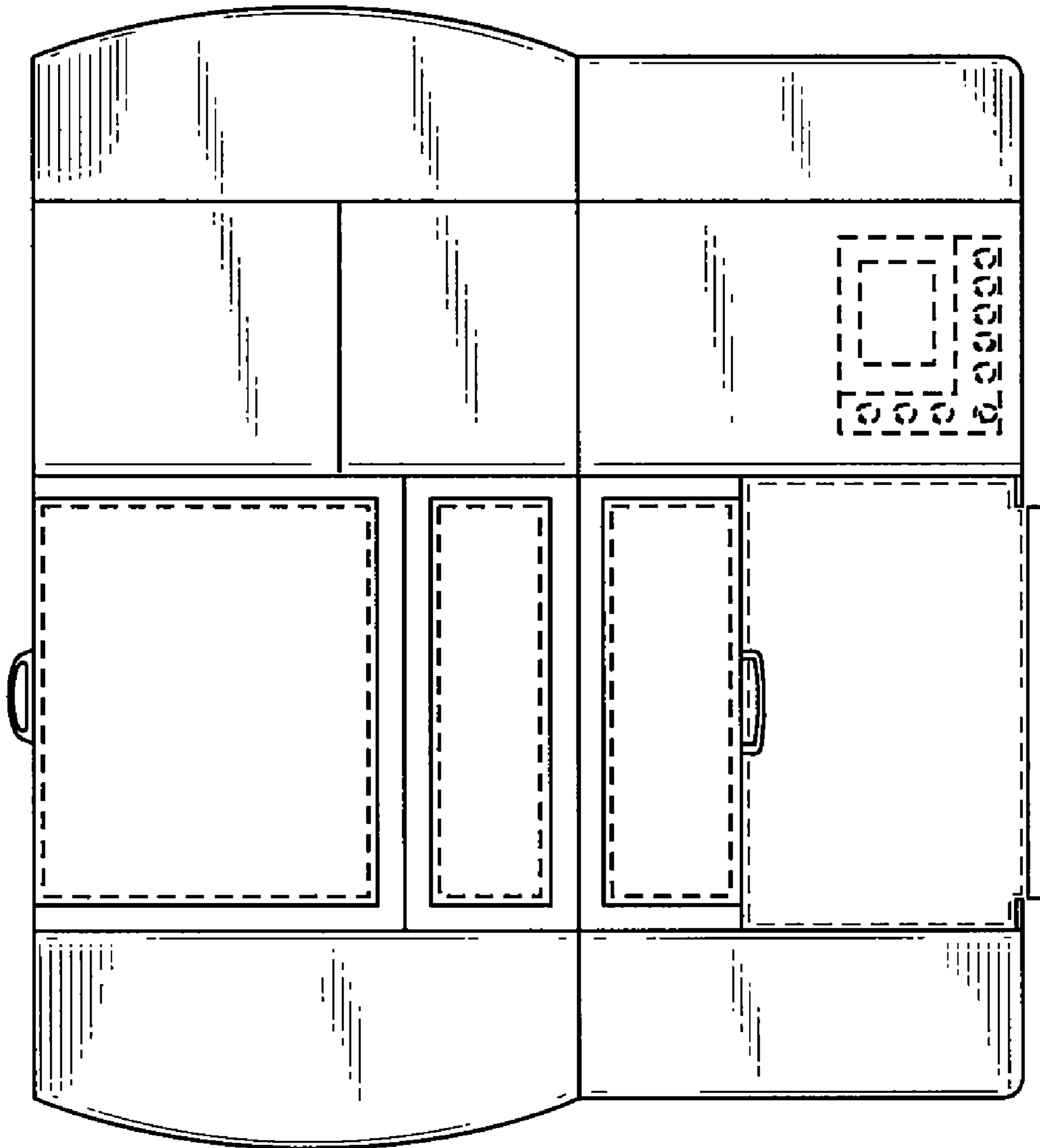


FIG. 4

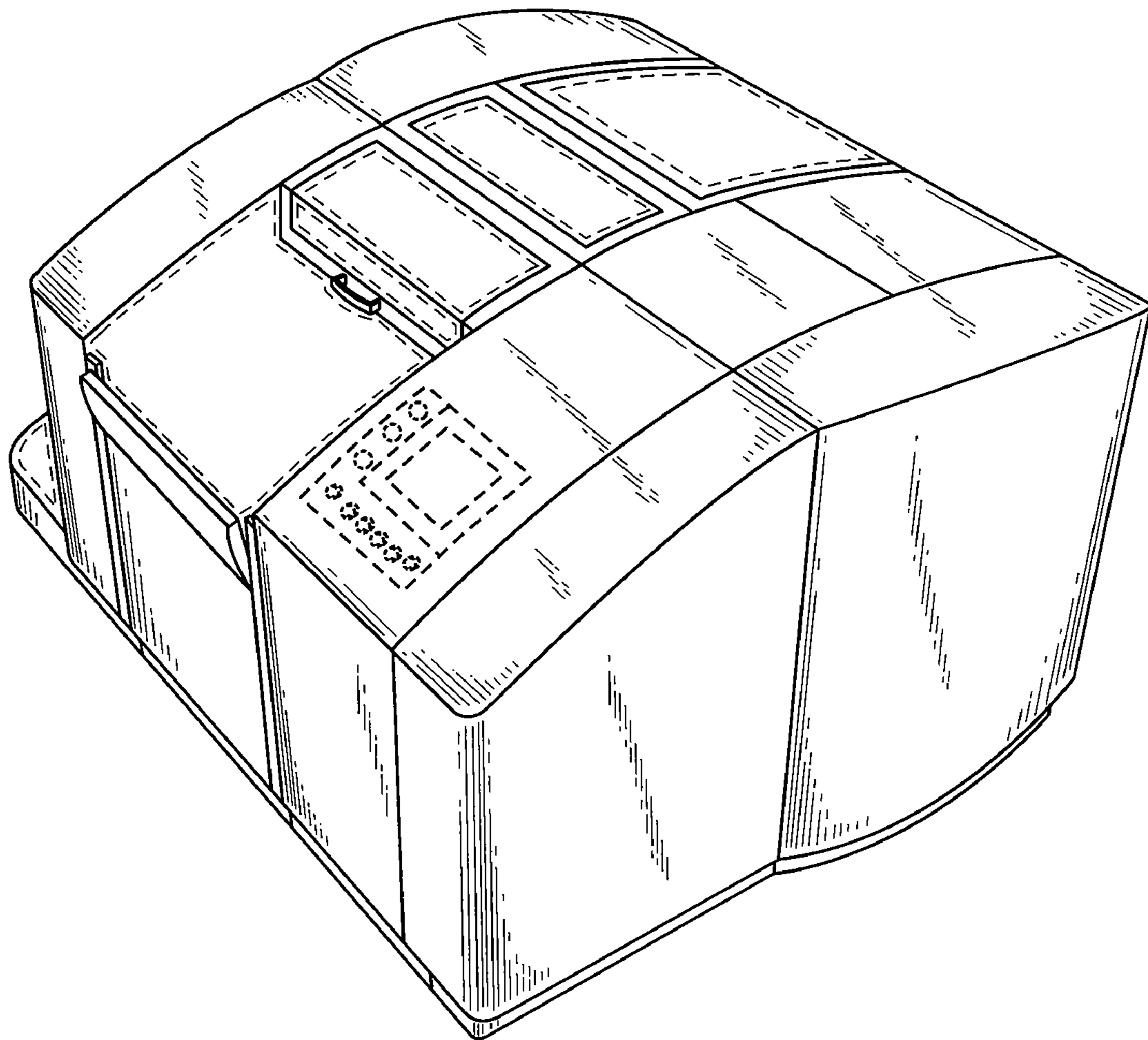


FIG. 5

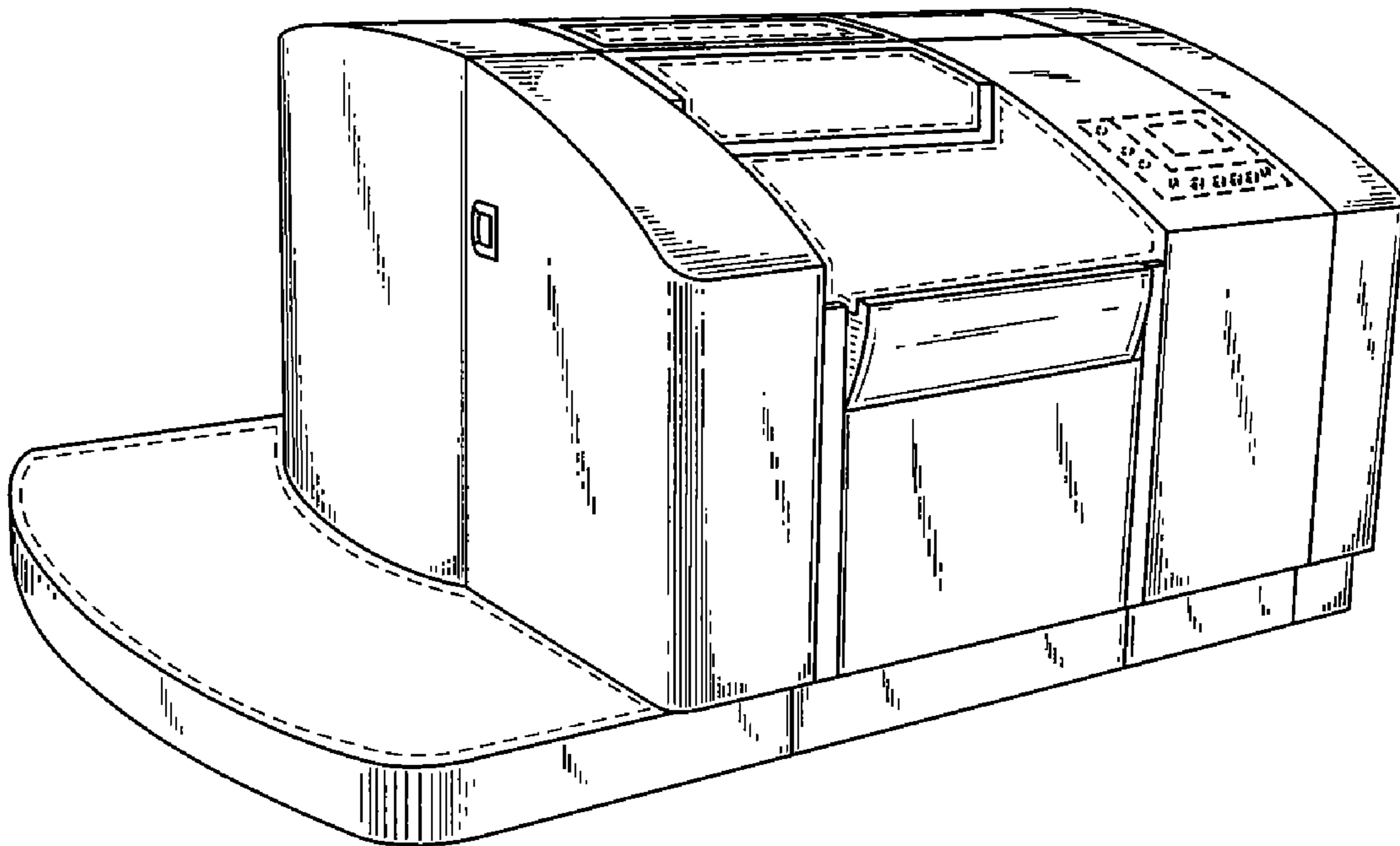


FIG. 6

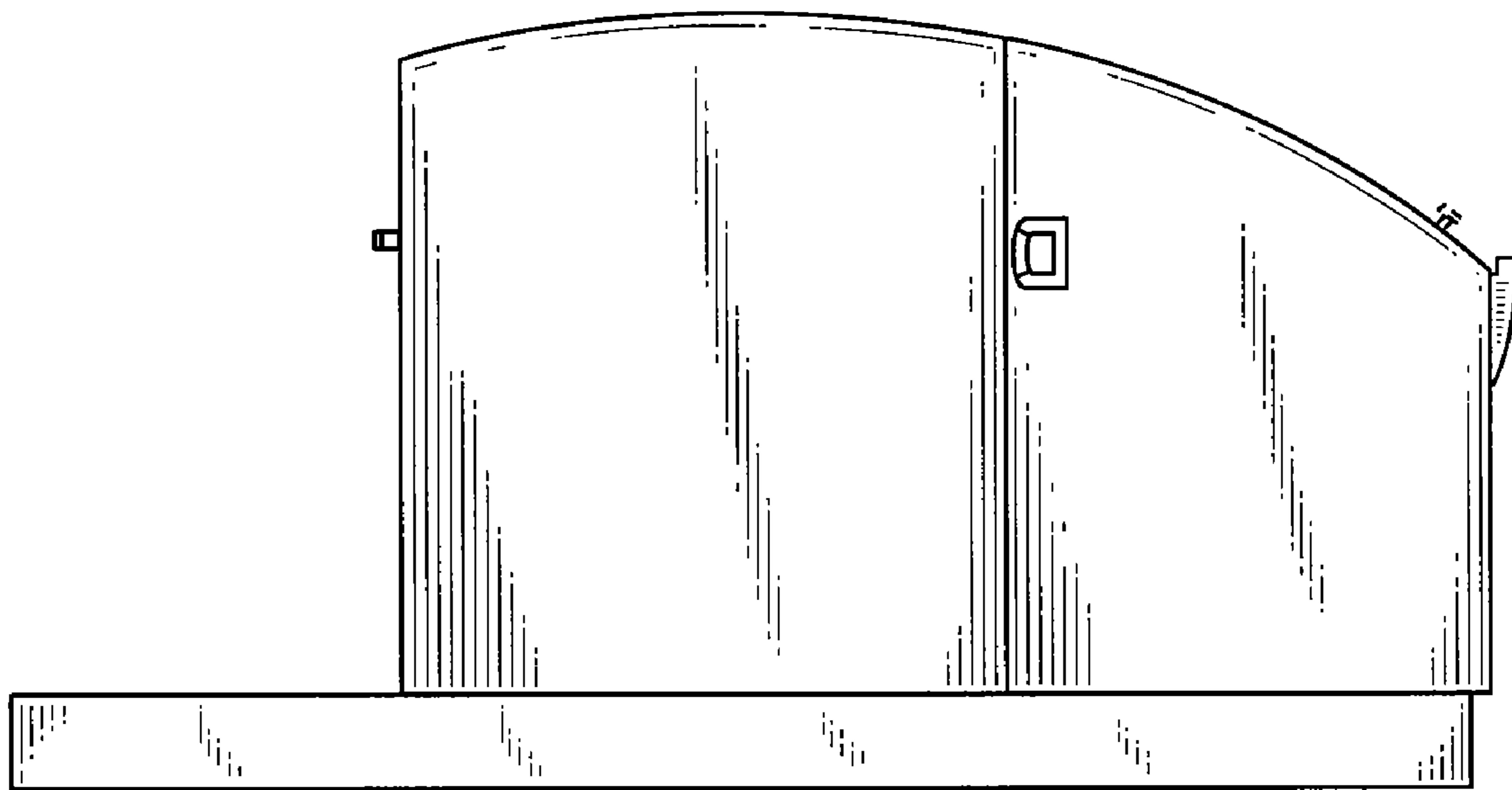


FIG. 7

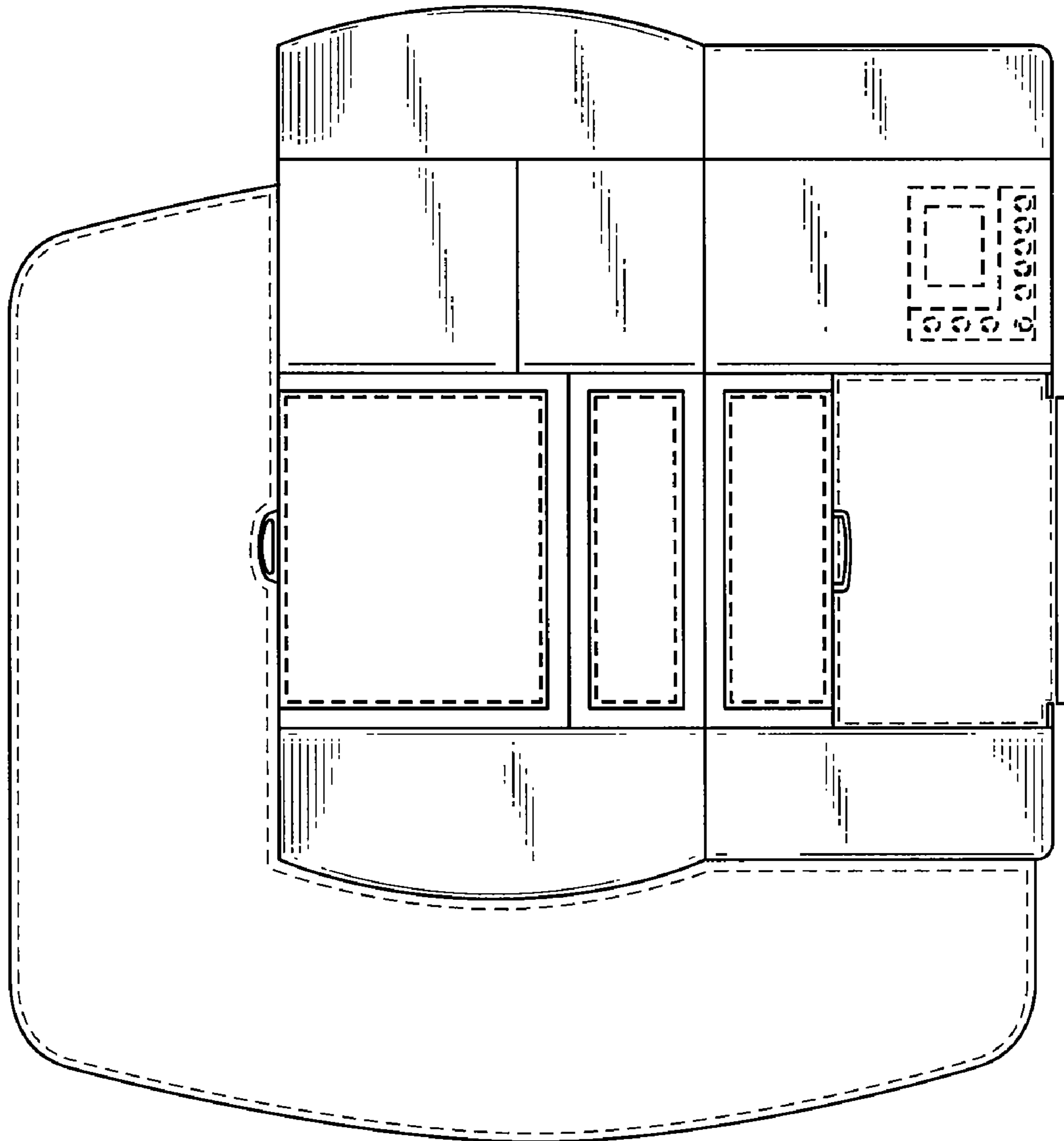


FIG. 8