



US00D575328S

(12) **United States Design Patent**
Yamaguchi et al.

(10) **Patent No.:** **US D575,328 S**

(45) **Date of Patent:** **** Aug. 19, 2008**

(54) **PRINTER**

(75) Inventors: **Yasutake Yamaguchi**, Chiryu (JP);
Yukihiko Sato, Nagoya (JP)

(73) Assignee: **Brother Industries, Ltd.**, Nagoya (JP)

(**) Term: **14 Years**

(21) Appl. No.: **29/272,295**

(22) Filed: **Feb. 6, 2007**

(30) **Foreign Application Priority Data**

Sep. 8, 2006 (JP) 2006-024131

(51) **LOC (8) Cl.** **18-02**

(52) **U.S. Cl.** **D18/50; D14/421**

(58) **Field of Classification Search** D18/4.4,
D18/36-39, 41, 50, 53, 54-55; D14/420-425,
D14/462-470; 400/613, 613.1-613.4, 690.1-690.4,
400/691-694

See application file for complete search history.

(56) **References Cited**

U.S. PATENT DOCUMENTS

D476,029 S * 6/2003 Lee et al. D18/55
D522,044 S * 5/2006 Emmenegger et al. D18/50
D522,292 S * 6/2006 Goodman et al. D6/521

D532,816 S * 11/2006 Smith et al. D18/50
D540,852 S * 4/2007 Huang et al. D18/50
D563,461 S * 3/2008 Kobayashi et al. D18/50

* cited by examiner

Primary Examiner—Cathy Anne MacCormac

(74) *Attorney, Agent, or Firm*—Olliff & Berridge, PLC

(57) **CLAIM**

The ornamental design for a printer, as shown and described.

DESCRIPTION

FIG. 1 is a perspective view of a printer;

FIG. 2 is a top view thereof;

FIG. 3 is a front view thereof;

FIG. 4 is a right side view thereof;

FIG. 5 is a left side view thereof;

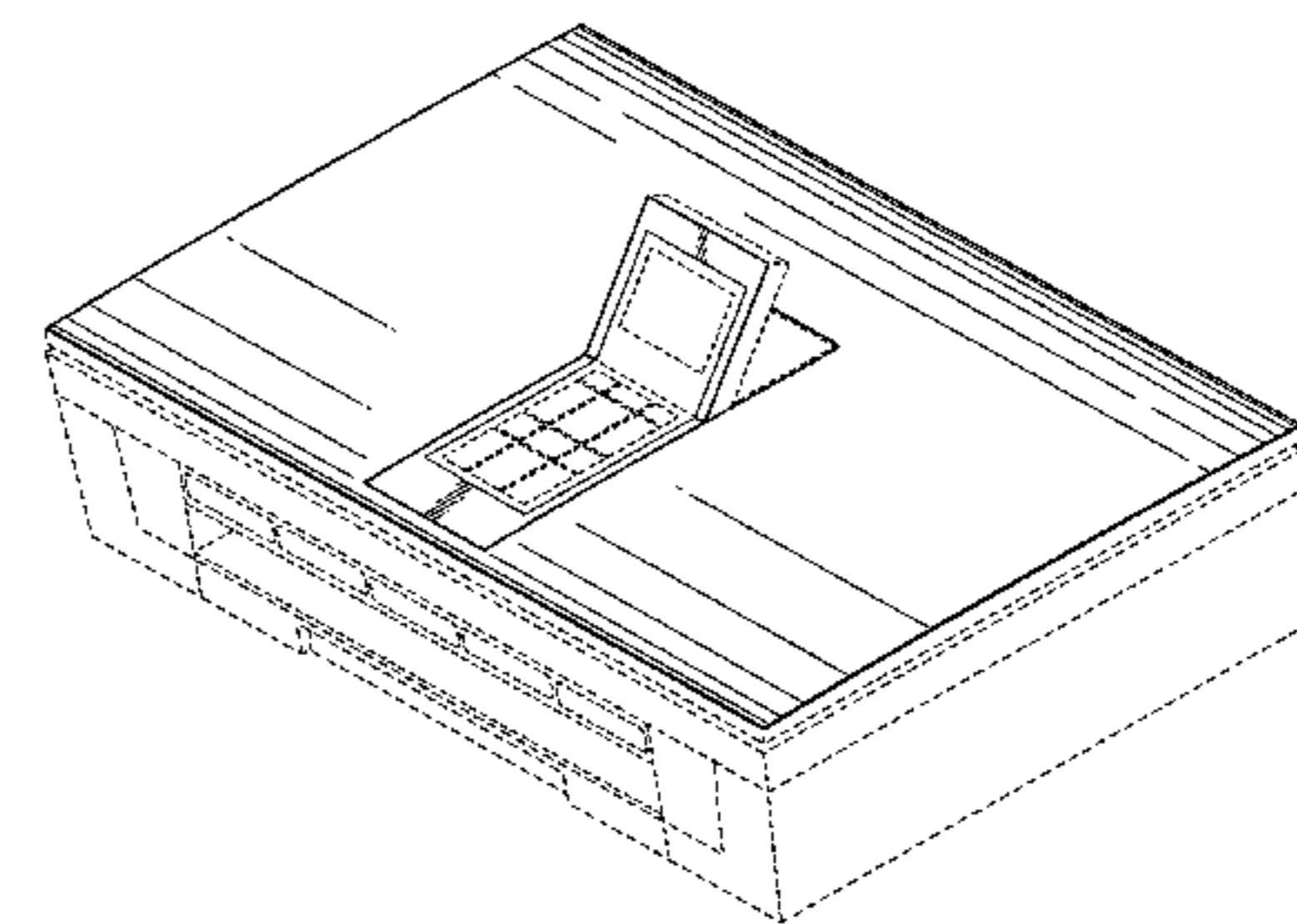
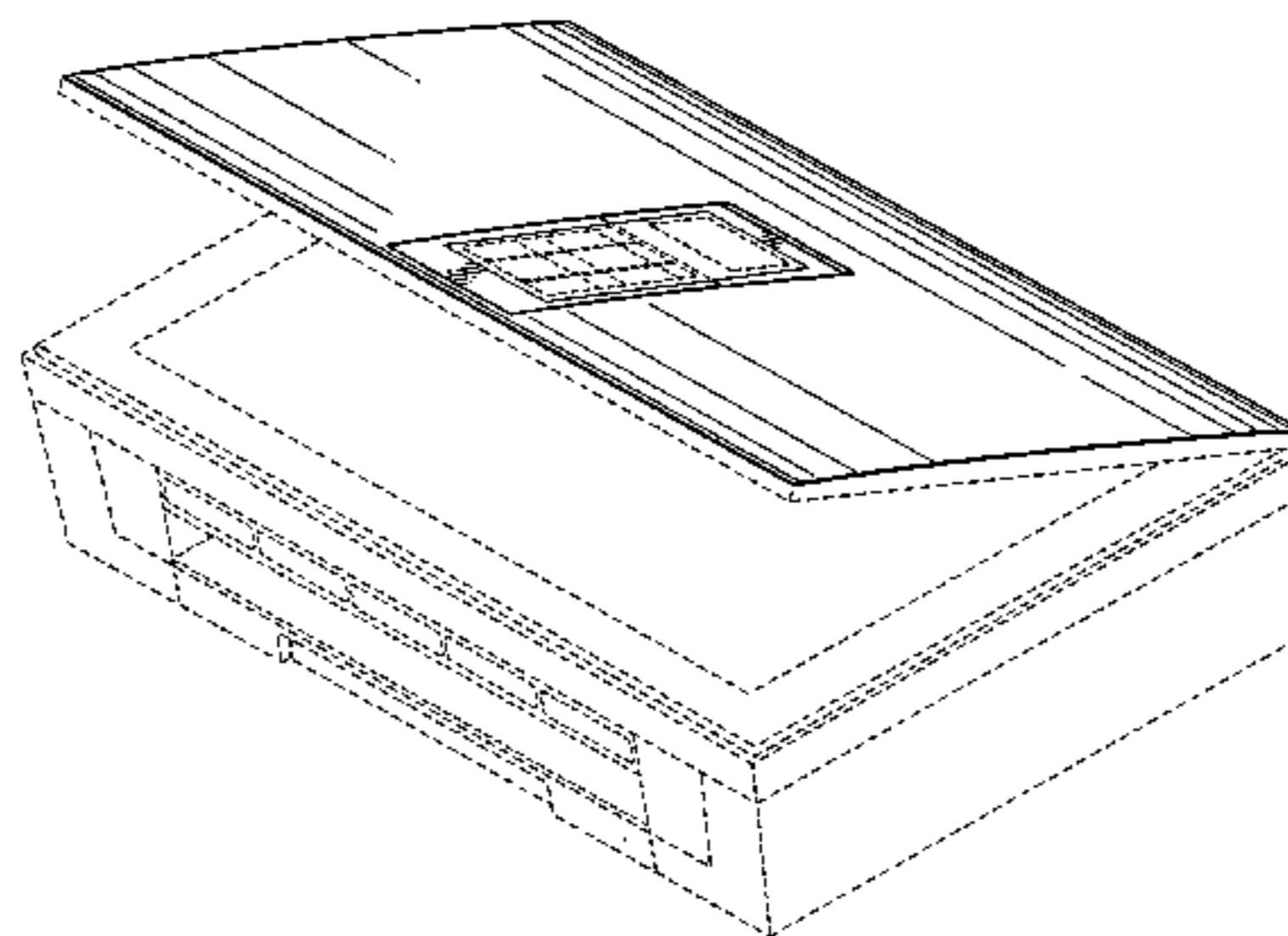
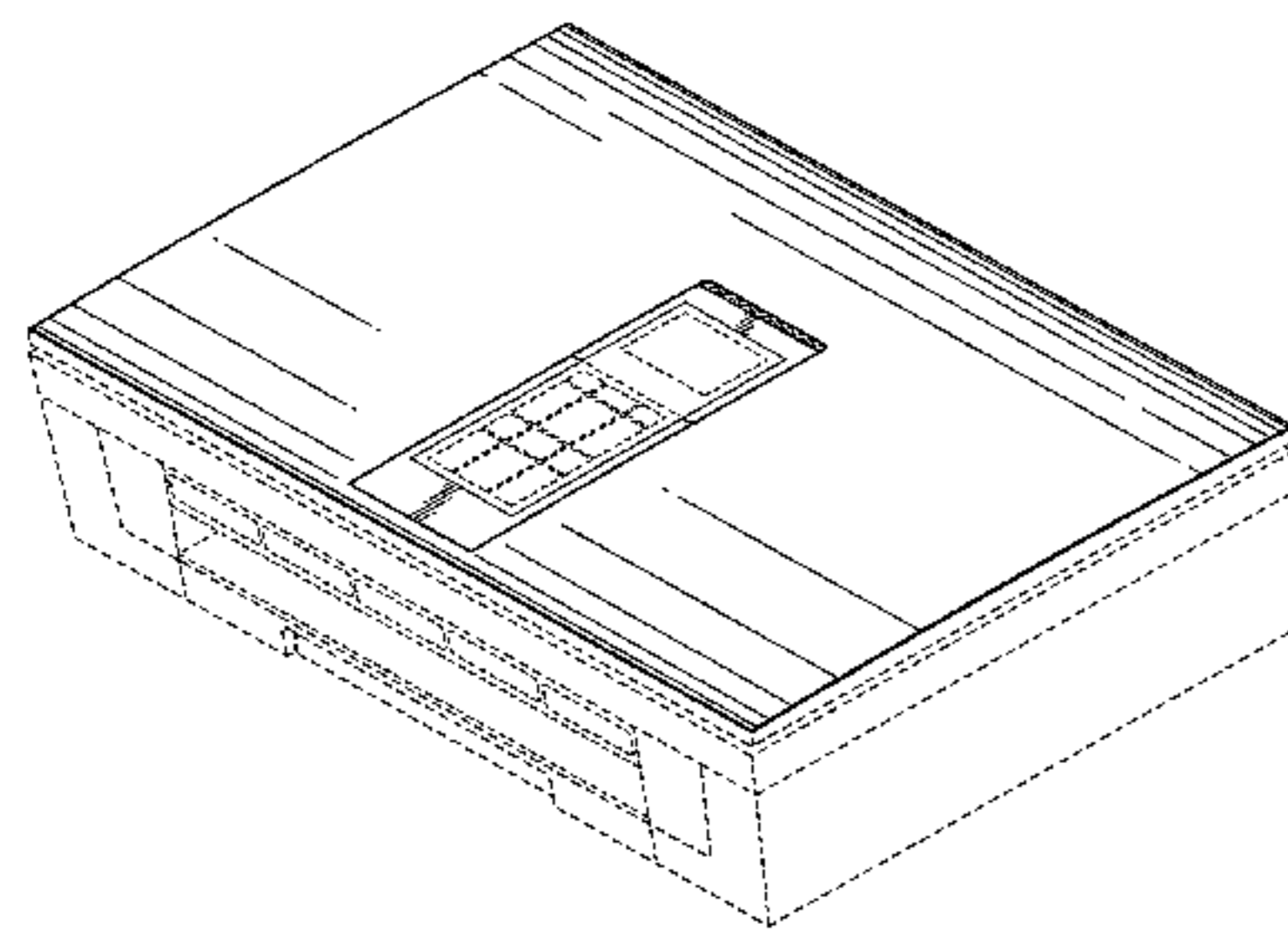
FIG. 6 is a rear view thereof;

FIG. 7 is a perspective view thereof with a scanner cover in an open position; and,

FIG. 8 is a perspective view thereof with a display in a tilted position.

The broken lines are for illustrative purposes only and form no part of the claimed design.

1 Claim, 8 Drawing Sheets



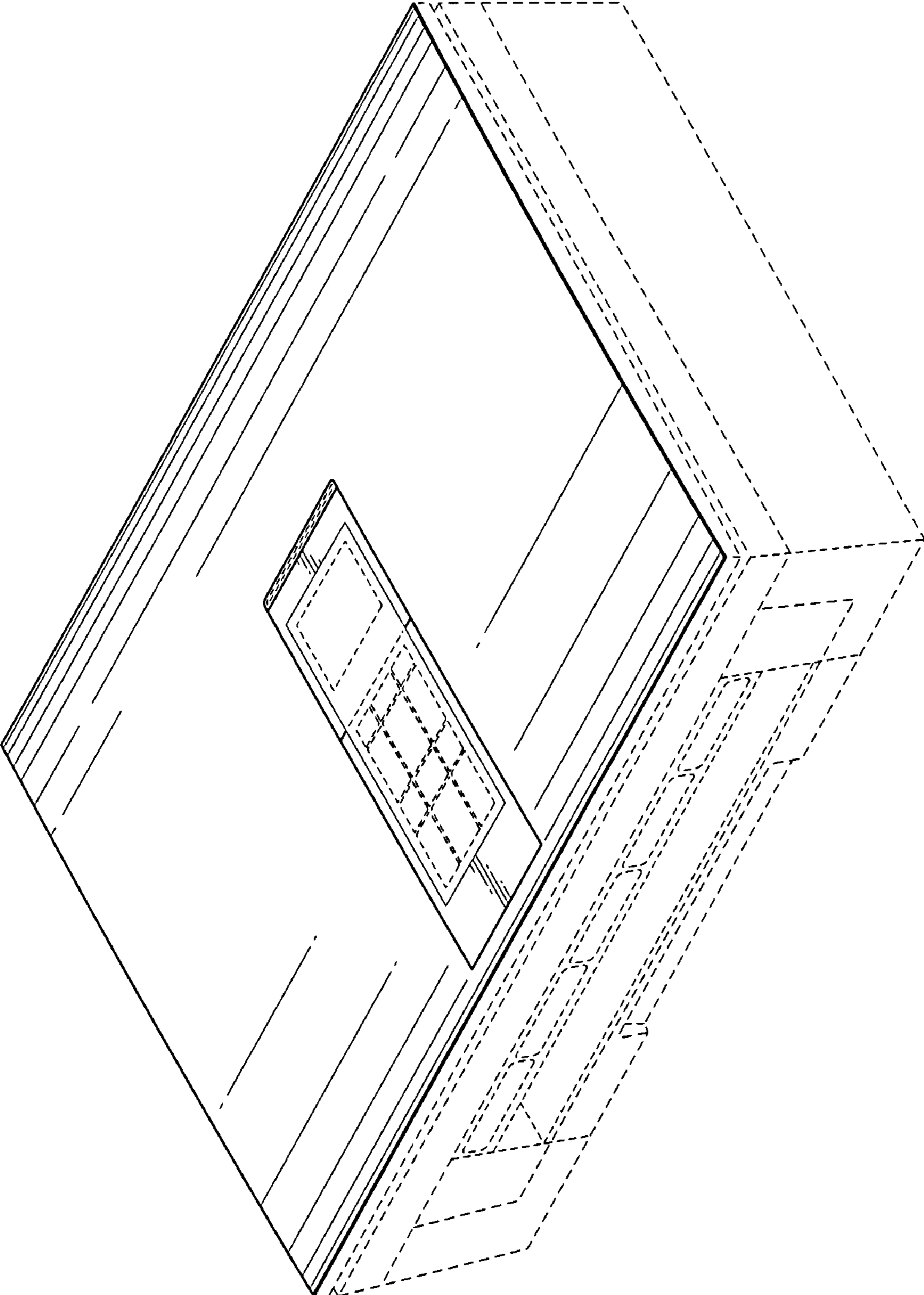


FIG. 1

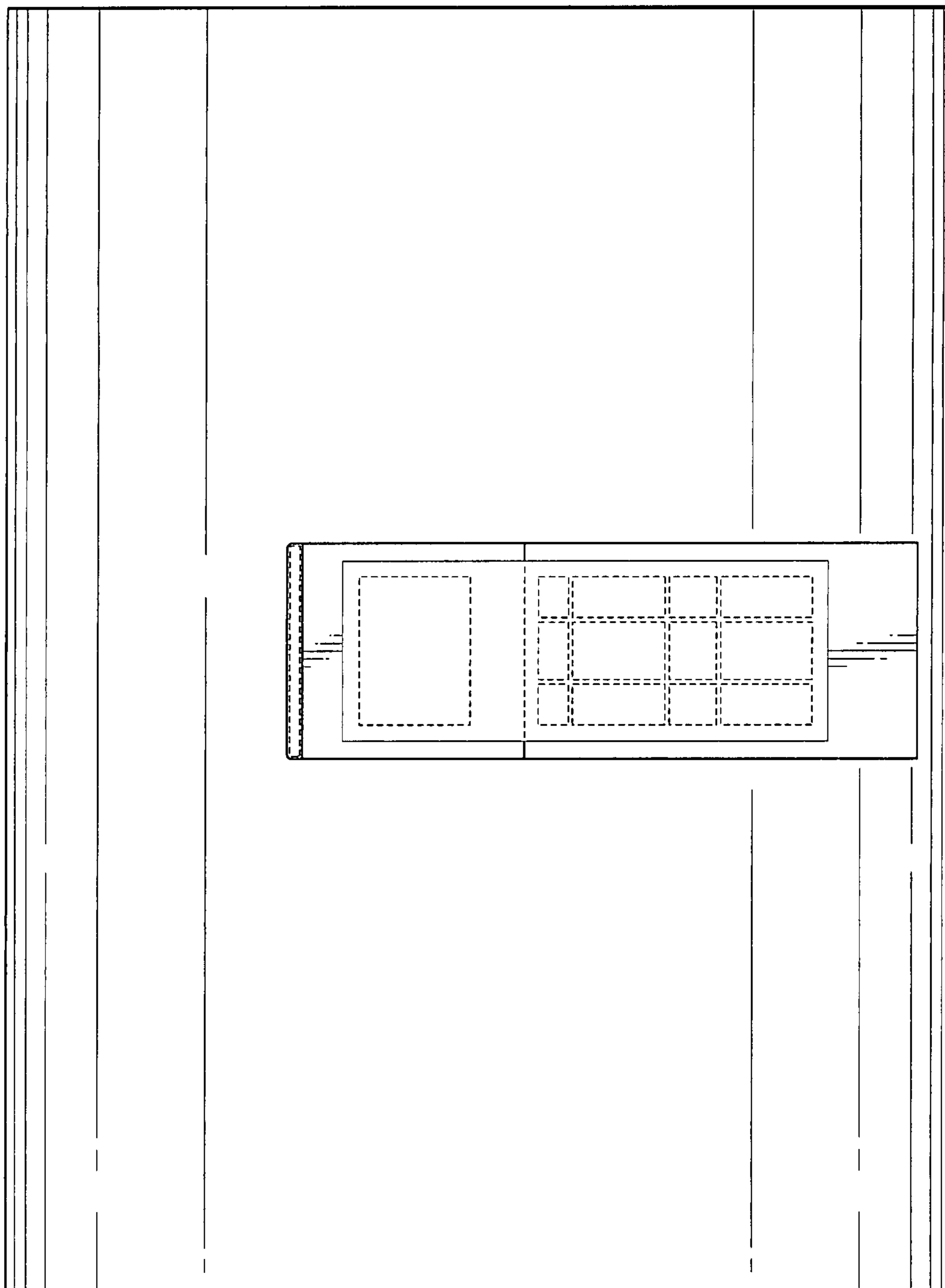


FIG. 2

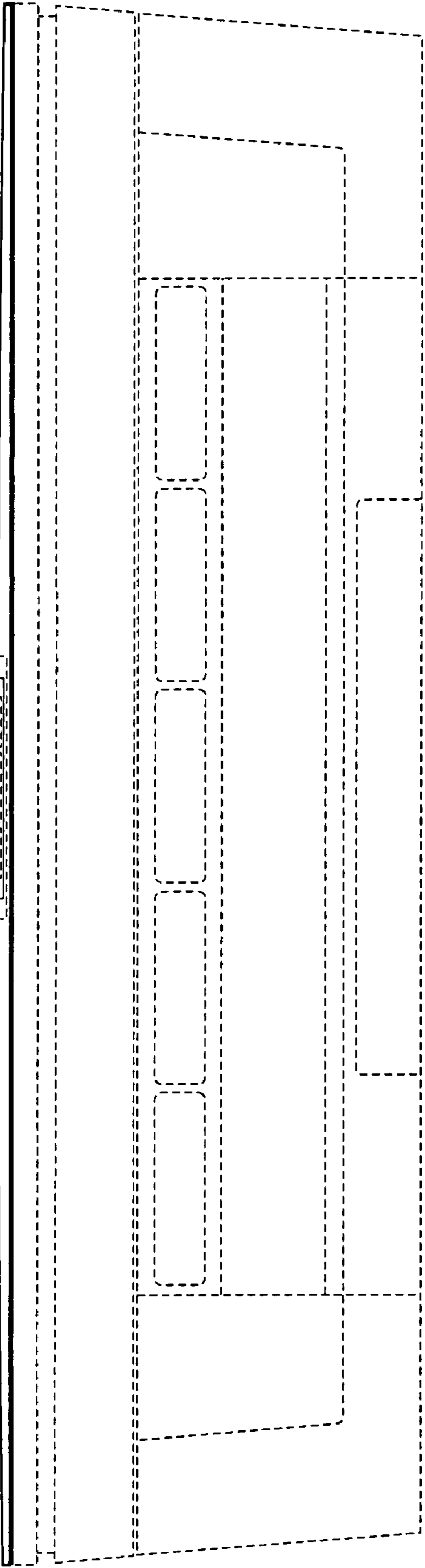


FIG. 3

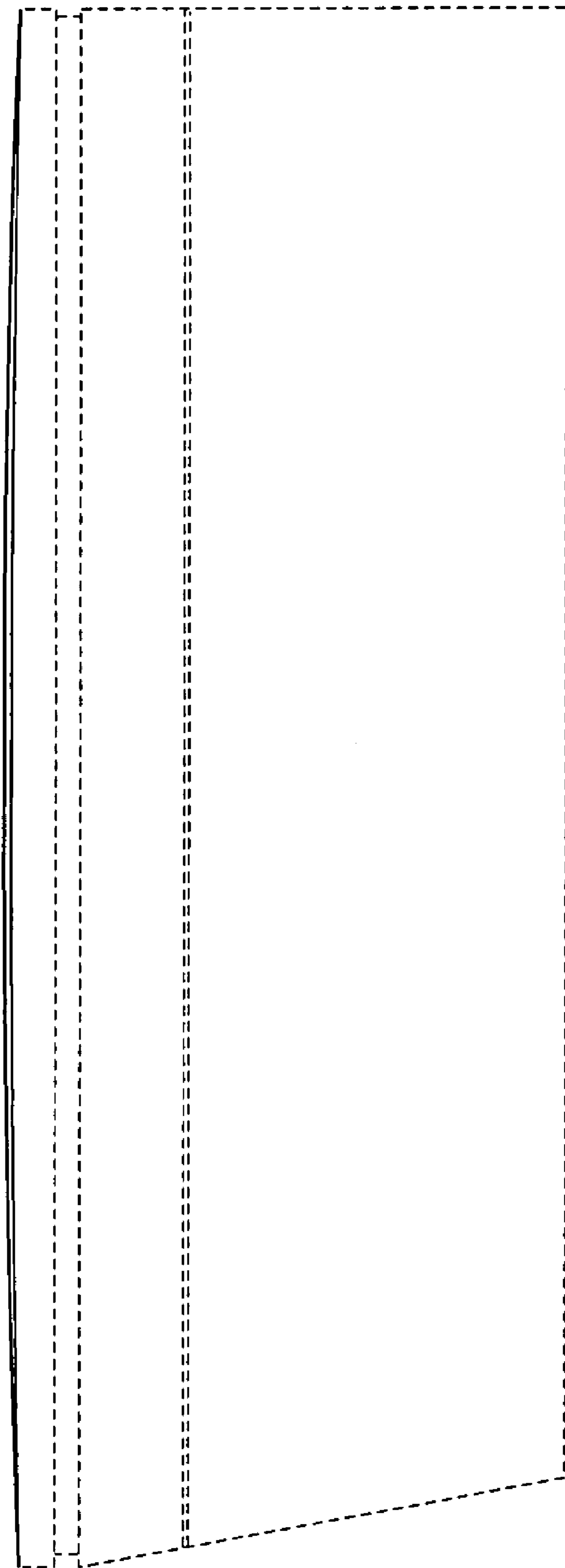


FIG. 4

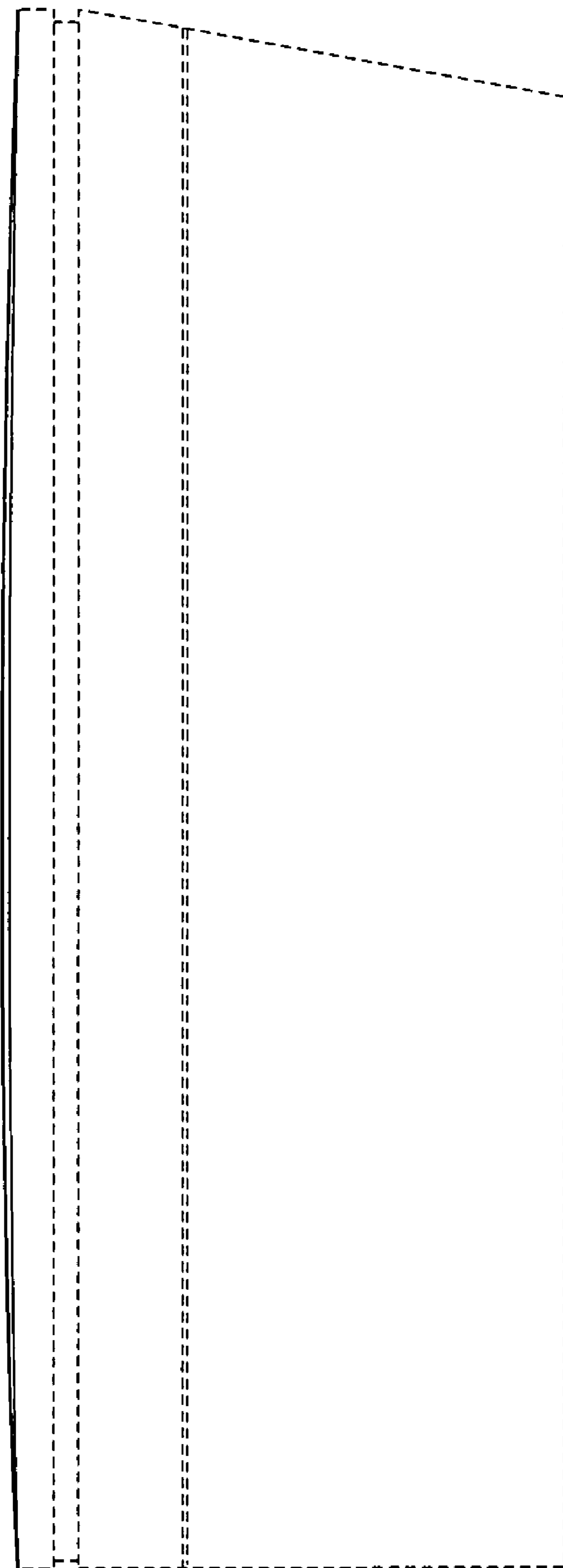


FIG. 5

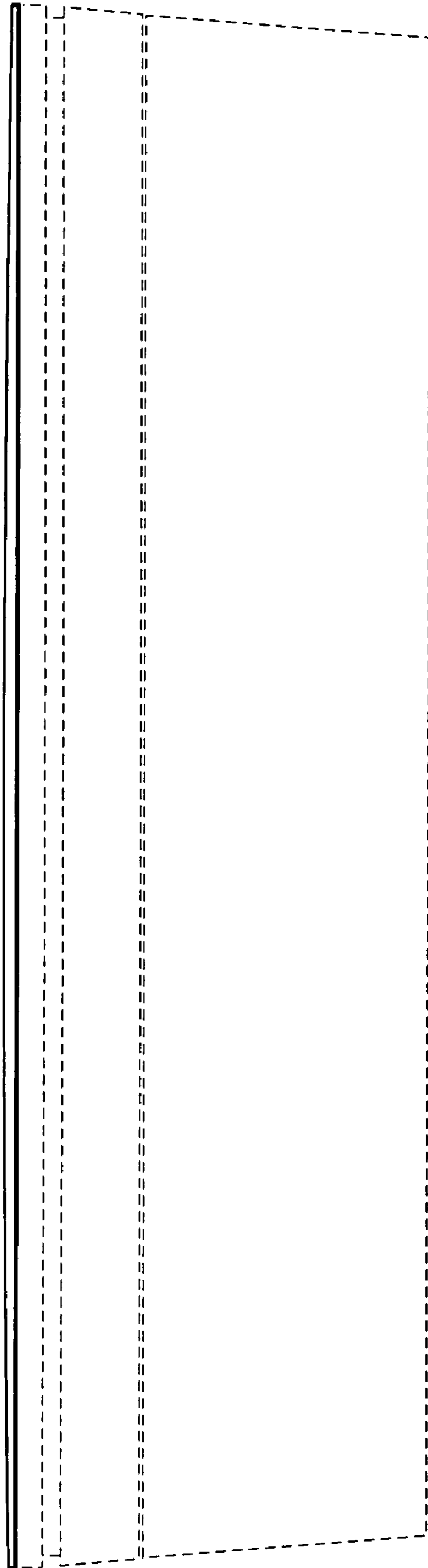


FIG. 6

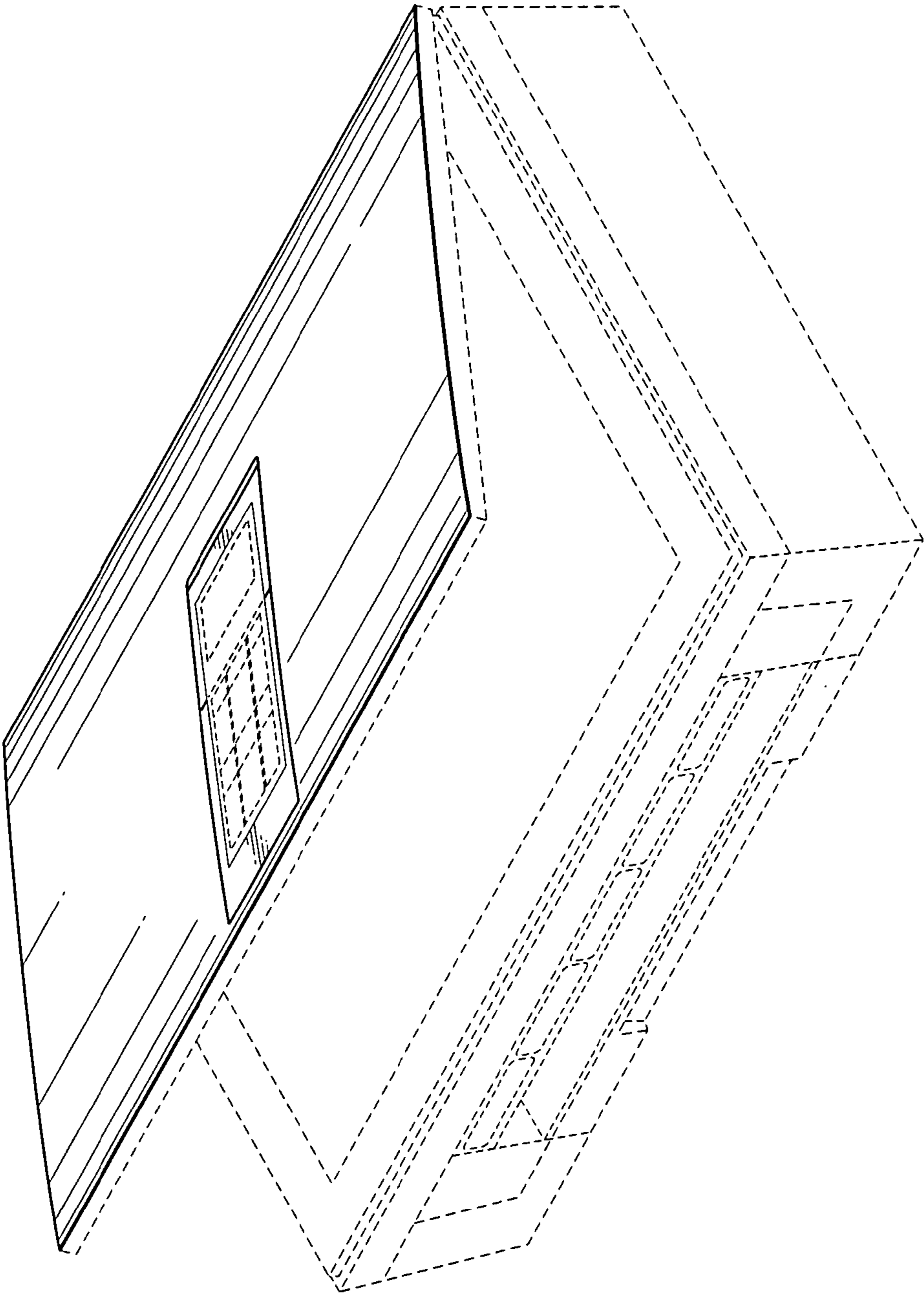


FIG. 7

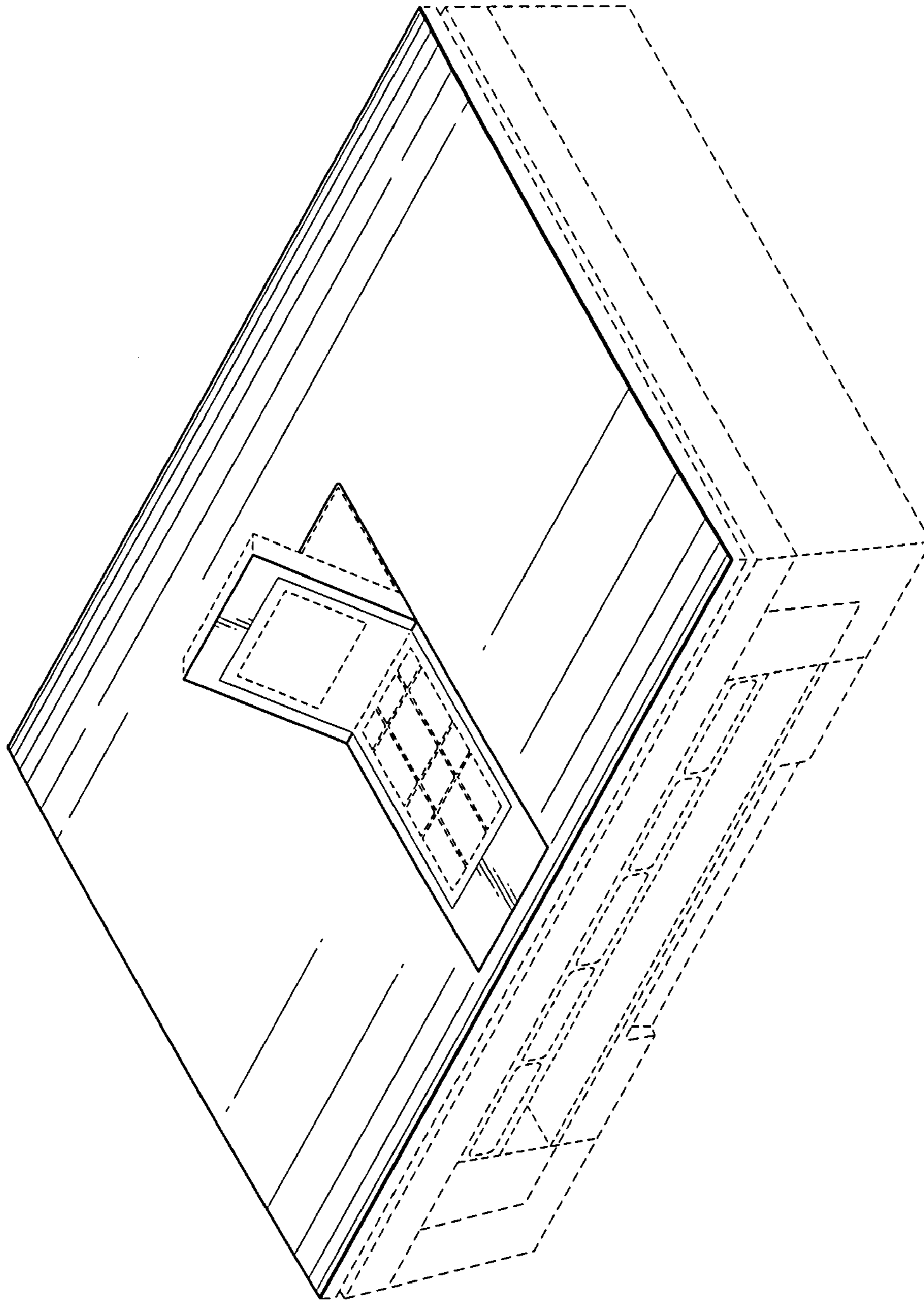


FIG. 8