



US00D575327S

(12) **United States Design Patent**
Lerner

(10) **Patent No.:** **US D575,327 S**
(45) **Date of Patent:** **** Aug. 19, 2008**

(54) **SPHERICAL DRUM SHELL**

(76) Inventor: **Robert S. Lerner**, 7910 West Dr., Box 429, North Bay Village, FL (US) 33141

(**) Term: **14 Years**

(21) Appl. No.: **29/289,955**

(22) Filed: **Aug. 8, 2007**

Related U.S. Application Data

(63) Continuation-in-part of application No. 29/244,051, filed on Dec. 2, 2005, which is a continuation-in-part of application No. 11/161,749, filed on Aug. 15, 2005.

(51) **LOC (8) Cl.** **17-04**

(52) **U.S. Cl.** **D17/22**

(58) **Field of Classification Search** D17/22;
84/104, 411 R, 419, 420; D9/665, 428
See application file for complete search history.

(56) **References Cited**

U.S. PATENT DOCUMENTS

1,054,009 A 2/1913 Ludwig
1,269,984 A 6/1918 Wanamaker
1,356,193 A * 10/1920 Danly 84/419

(Continued)

FOREIGN PATENT DOCUMENTS

JP 10016935 A * 1/1998

OTHER PUBLICATIONS

Concrete Network.com. <http://www.concretenetwork.com/buddy-rhodes/>. Feb. 2006. Concrete Sphere Planter: top right on page.*
Concrete Décor. http://www.concretedecor.net/All_Access/605/CD605-Product_Profile.cfm. Date unknown: Viewed Dec. 2007.
Concrete Sphere Planter: top left on page.*

(Continued)

Primary Examiner—Ian Simmons
Assistant Examiner—Rashida Johnson
(74) *Attorney, Agent, or Firm*—Fox Rothschild LLP

(57) **CLAIM**

The ornamental design for a spherical drum shell, as shown and described.

DESCRIPTION

The invention relates to an ornamental design for a spherical drum shell for use alone or in a drum set.

FIG. 1 is a front elevational view of a spherical drum shell showing my new design.

FIG. 2 is a rear elevational view thereof.

FIG. 3 is a top plan view thereof.

FIG. 4 is a front elevational view of a second embodiment of a spherical drum shell.

FIG. 5 is a rear elevational view thereof.

FIG. 6 is a top plan view thereof.

FIG. 7 is a front elevational view of a third embodiment of a spherical drum shell.

FIG. 8 is a rear elevational view thereof.

FIG. 9 is a top plan view thereof.

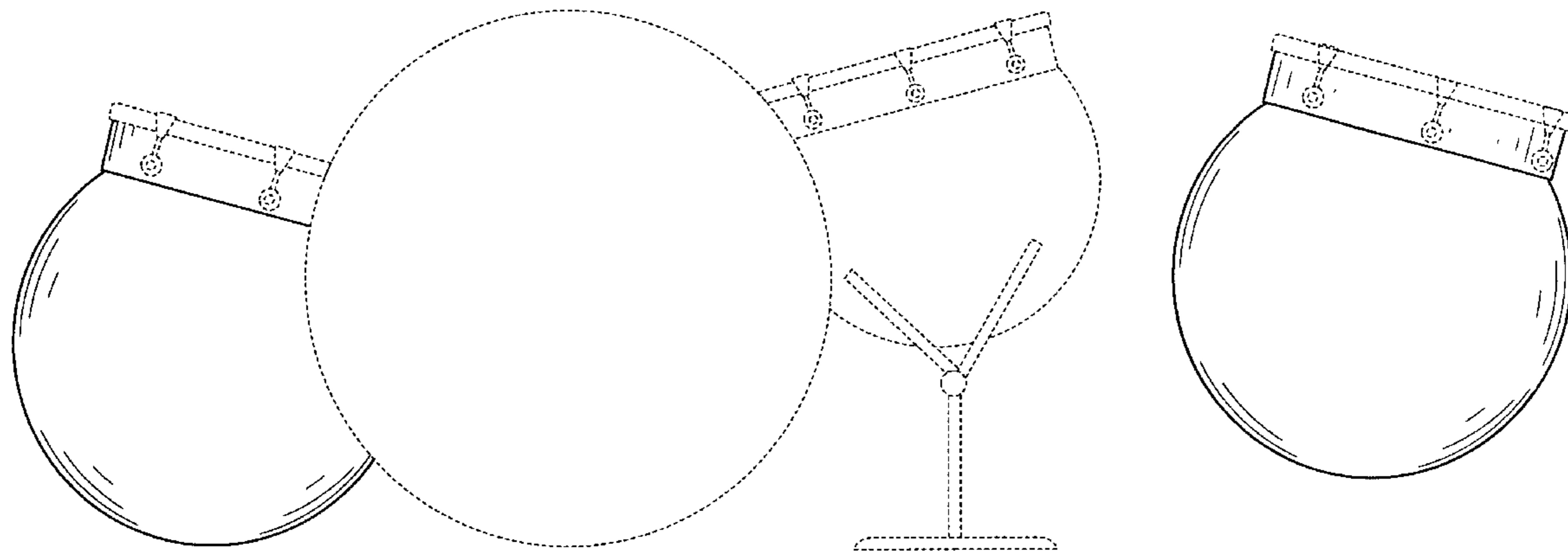
FIG. 10 is a front elevational view of a fourth embodiment of a spherical drum shell.

FIG. 11 is a top plan view of a fifth embodiment of a spherical drum shell; and,

FIG. 12 is a front elevational view of a sixth embodiment of a spherical drum shell.

The broken lines shown in FIGS. 1–12 are included for the purpose of illustrating environmental structure and form no part of the claim.

1 Claim, 12 Drawing Sheets



U.S. PATENT DOCUMENTS

| | | | | |
|-----------|------|---------|----------------|----------|
| 2,729,133 | A | 1/1956 | Ludwig | |
| 3,163,076 | A | 12/1964 | White | |
| 3,608,418 | A * | 9/1971 | Chaffee | 84/419 |
| 4,119,007 | A | 10/1978 | Criglar et al. | |
| 4,185,808 | A | 1/1980 | Donohoe et al. | |
| 4,373,419 | A | 2/1983 | Tuttrup | |
| 4,448,409 | A * | 5/1984 | Kaga et al. | 472/67 |
| 4,577,541 | A | 3/1986 | Edge | |
| 4,741,242 | A | 5/1988 | Aronstein | |
| 4,765,501 | A * | 8/1988 | Kao | 220/4.21 |
| 5,110,636 | A * | 5/1992 | Hou | 428/11 |
| 5,510,570 | A * | 4/1996 | Liu | 84/95.2 |
| 5,655,321 | A * | 8/1997 | Chang | 40/409 |
| 5,701,785 | A * | 12/1997 | Liu | 74/421 R |
| 6,036,463 | A * | 3/2000 | Klassen | 418/195 |
| 6,616,292 | B2 * | 9/2003 | Lin et al. | 362/101 |

| | | | | |
|--------------|------|---------|------|---------|
| 2002/0134297 | A1 * | 9/2002 | Moye | 116/173 |
| 2004/0093776 | A1 * | 5/2004 | Laun | 40/409 |
| 2007/0240343 | A1 * | 10/2007 | Hou | 40/406 |

OTHER PUBLICATIONS

Clipart ETC. http://etc.usf.edu/clipart/4700/4716/kettle_drum_1.htm. Copyright 2003. Kettle Drum: center of page.*
 Concrete Network.com. http://www.concretenetwork.com/buddy_rhodes/. Feb. 2006. Sphere Planter: Item A: center of page.
 Capri Lighting. <http://www.caprilighting.com/Capri/SWprdgrp.cfm>. Date Viewed: Nov. 2006. Opal Glass Ceiling Drum & Glass Ceiling Sphere, Item B: center of page.
 Clipart ETC. http://etc.usf.edu/clipart/4700/4716/kettle_drum_1.htm. Copyright 2003. Kettle Drum, Item C: center of page.
 Kettledrum, Tasha Copper, <http://www.thedrumworks.com/customer/product.php?product=176>, copyright 2006.

* cited by examiner

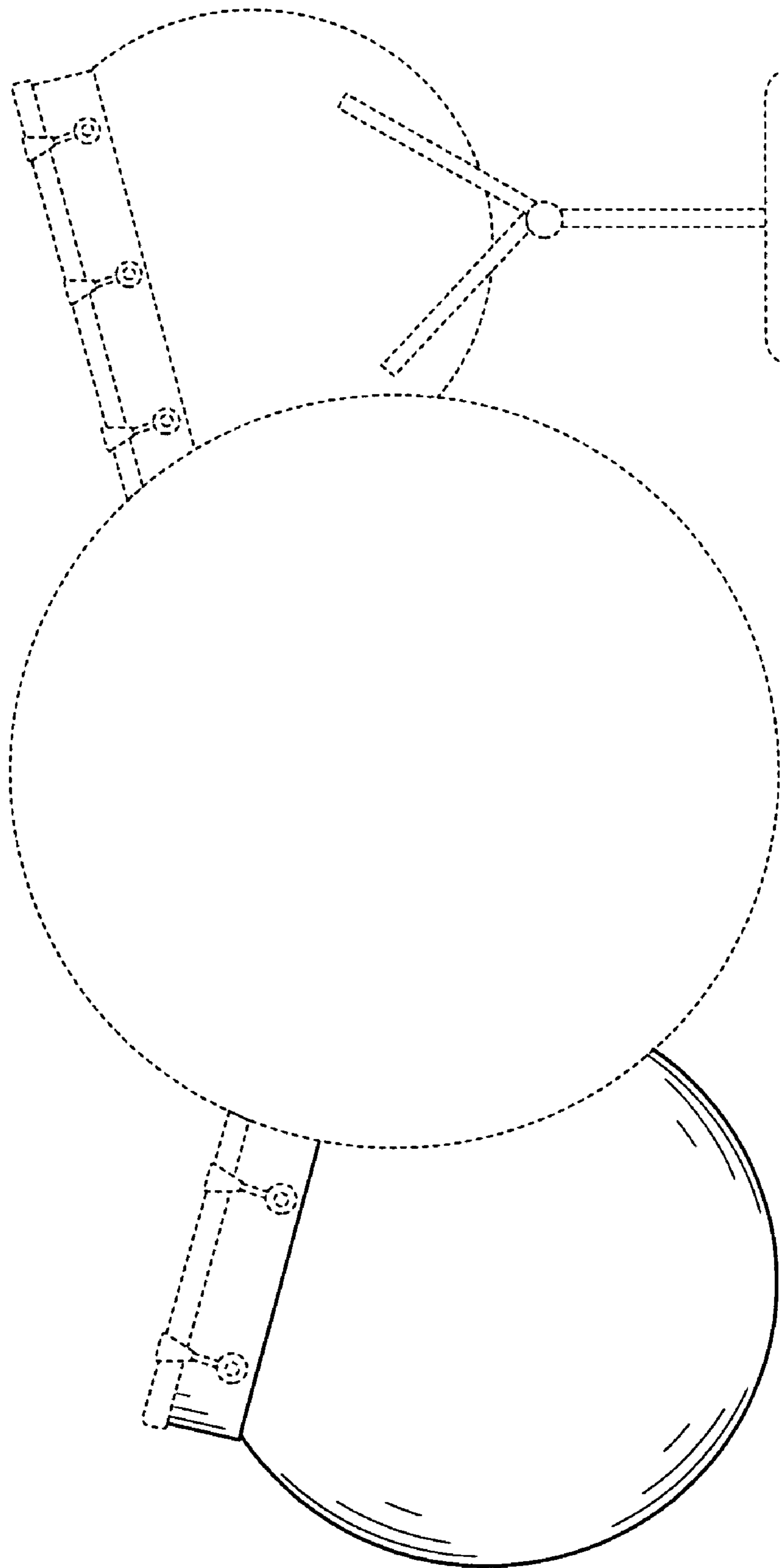


FIG. 1

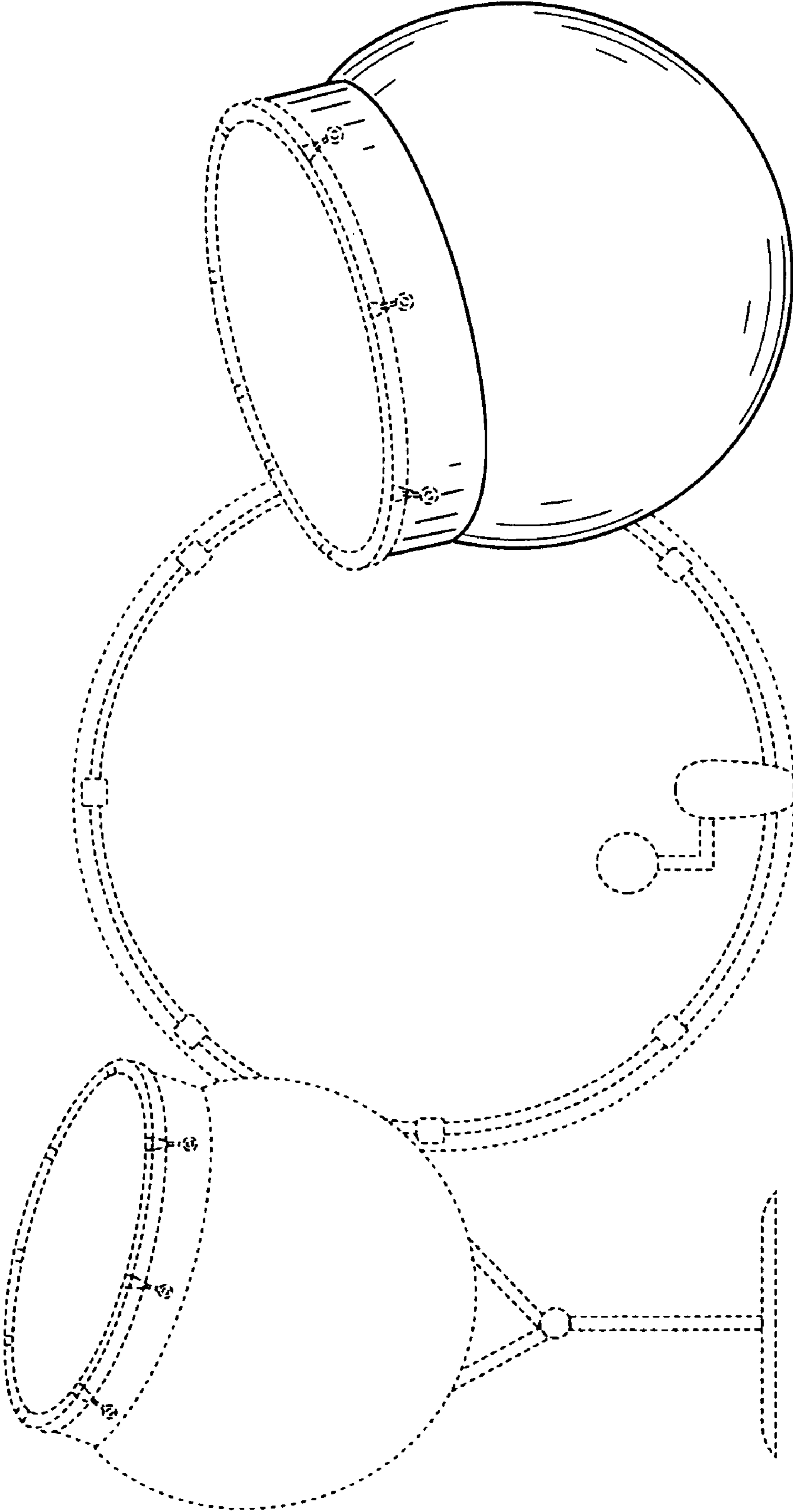


FIG. 2

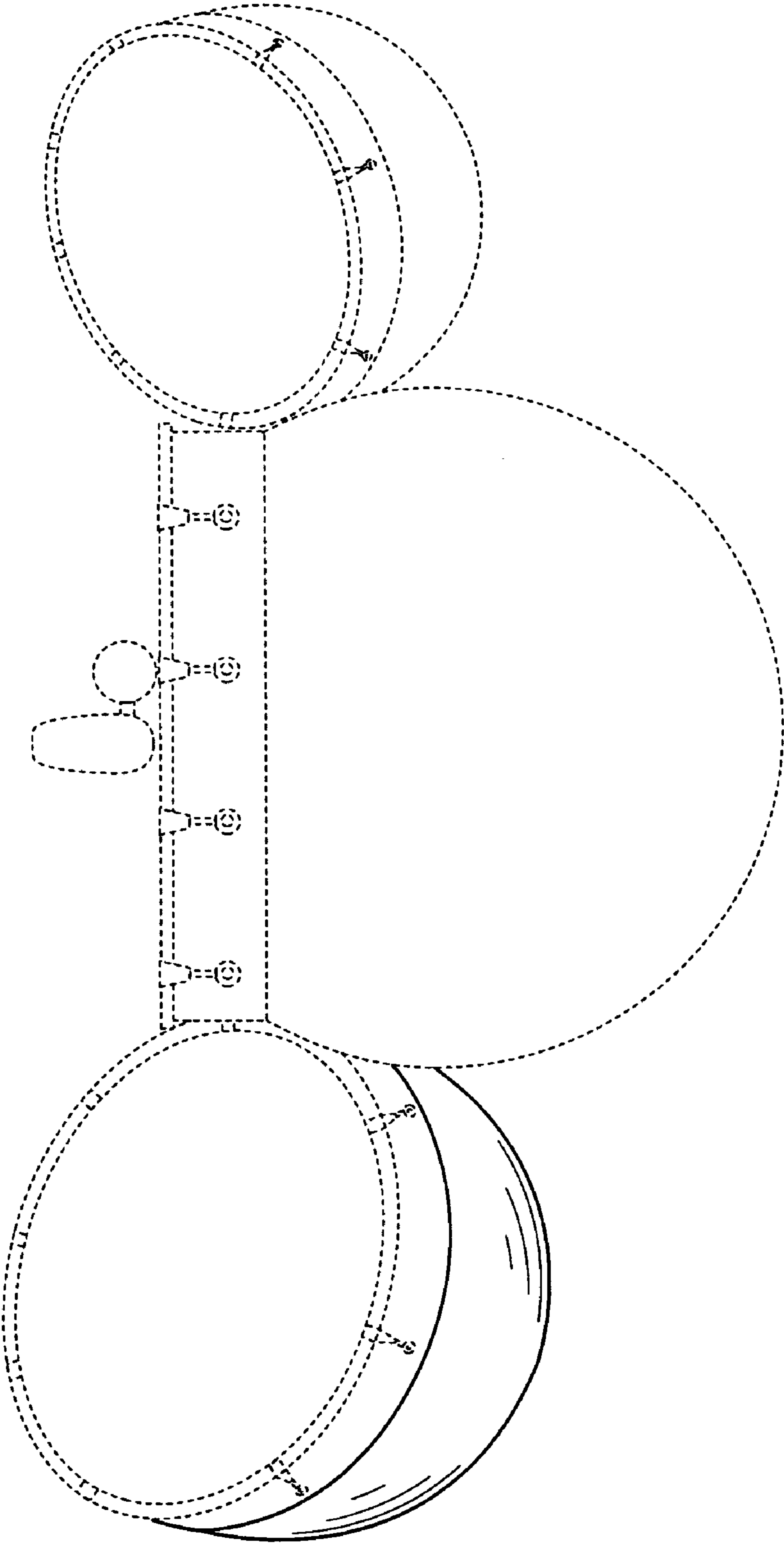


FIG. 3

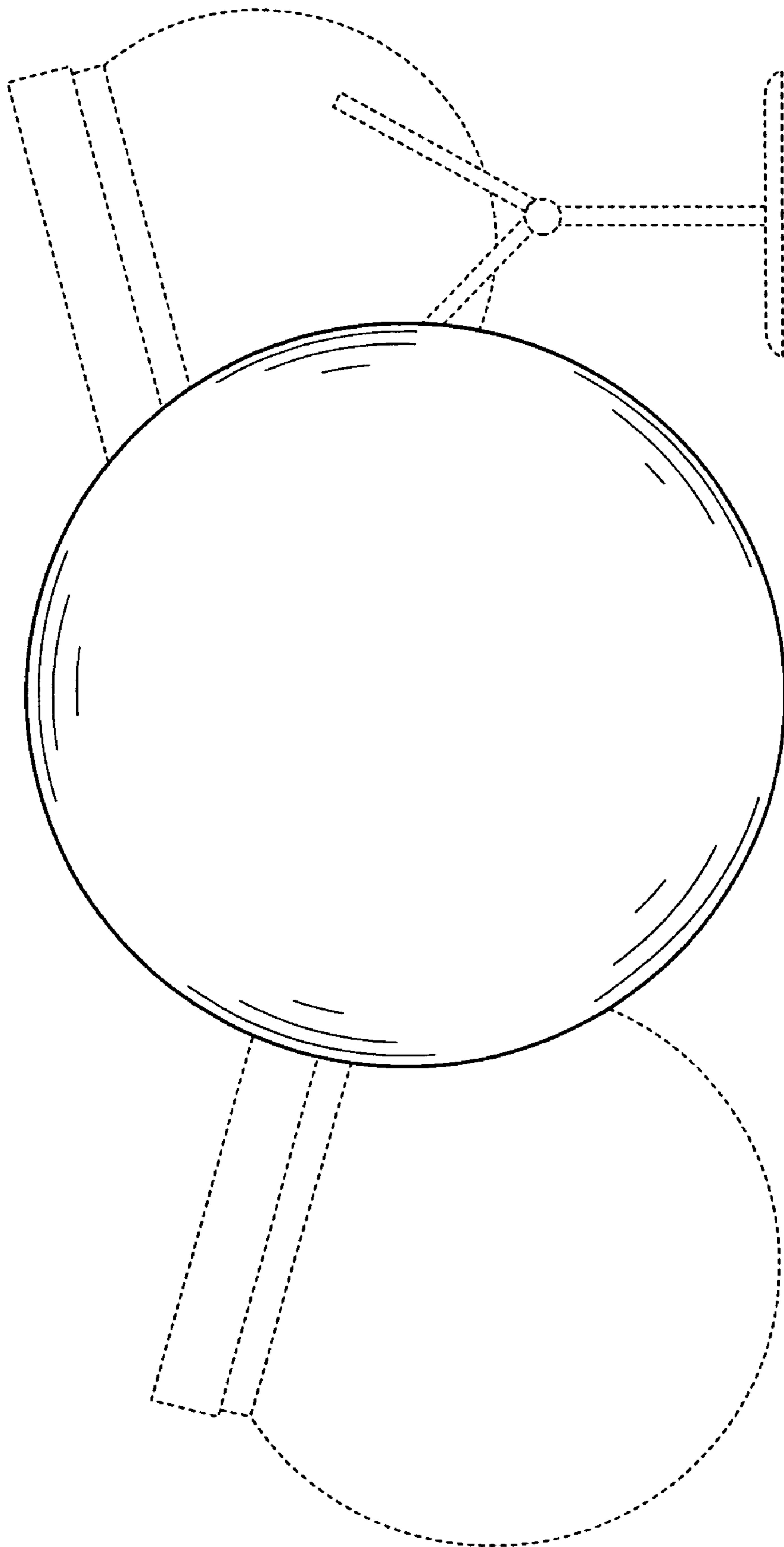


FIG. 4

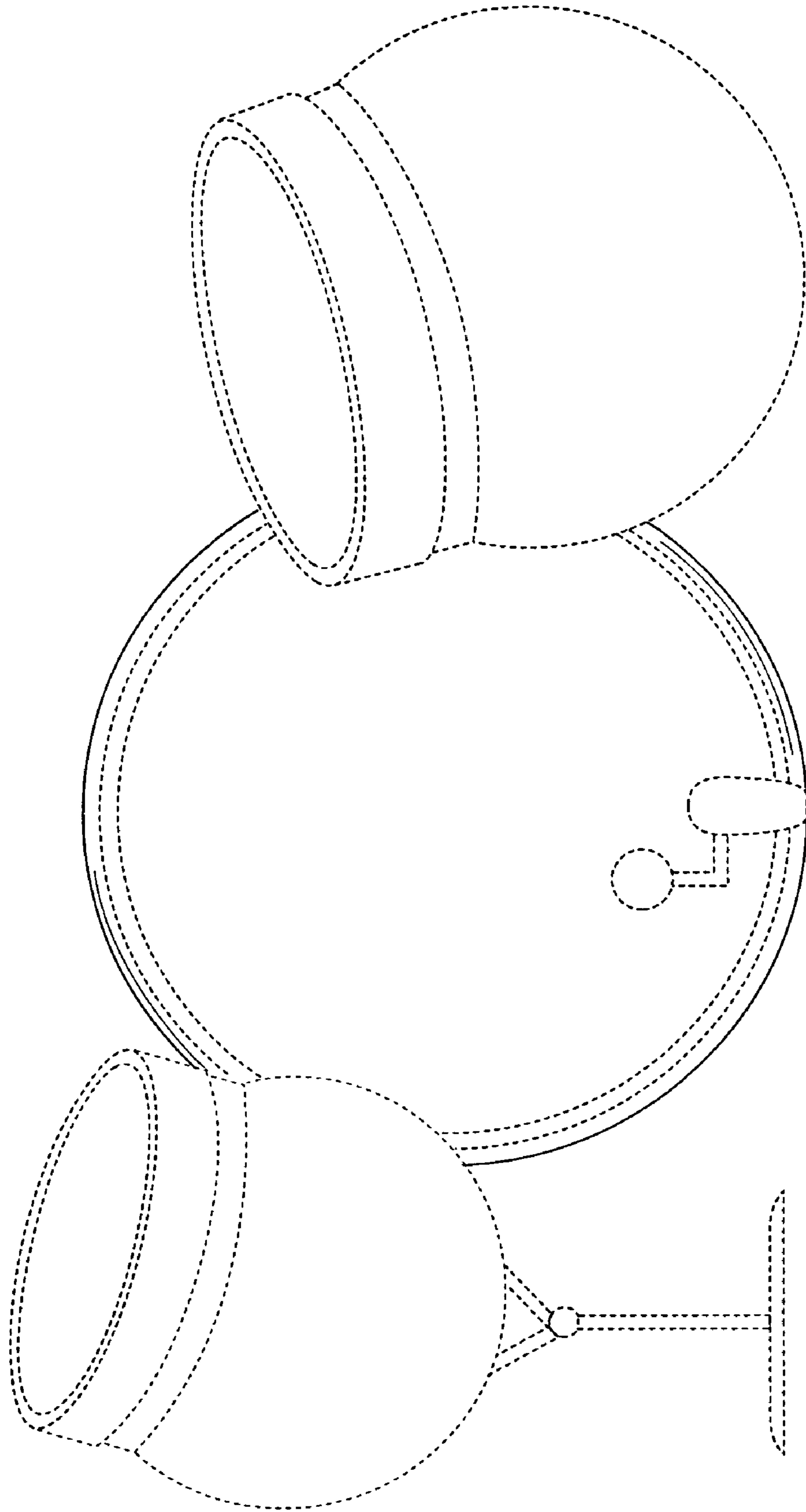


FIG. 5

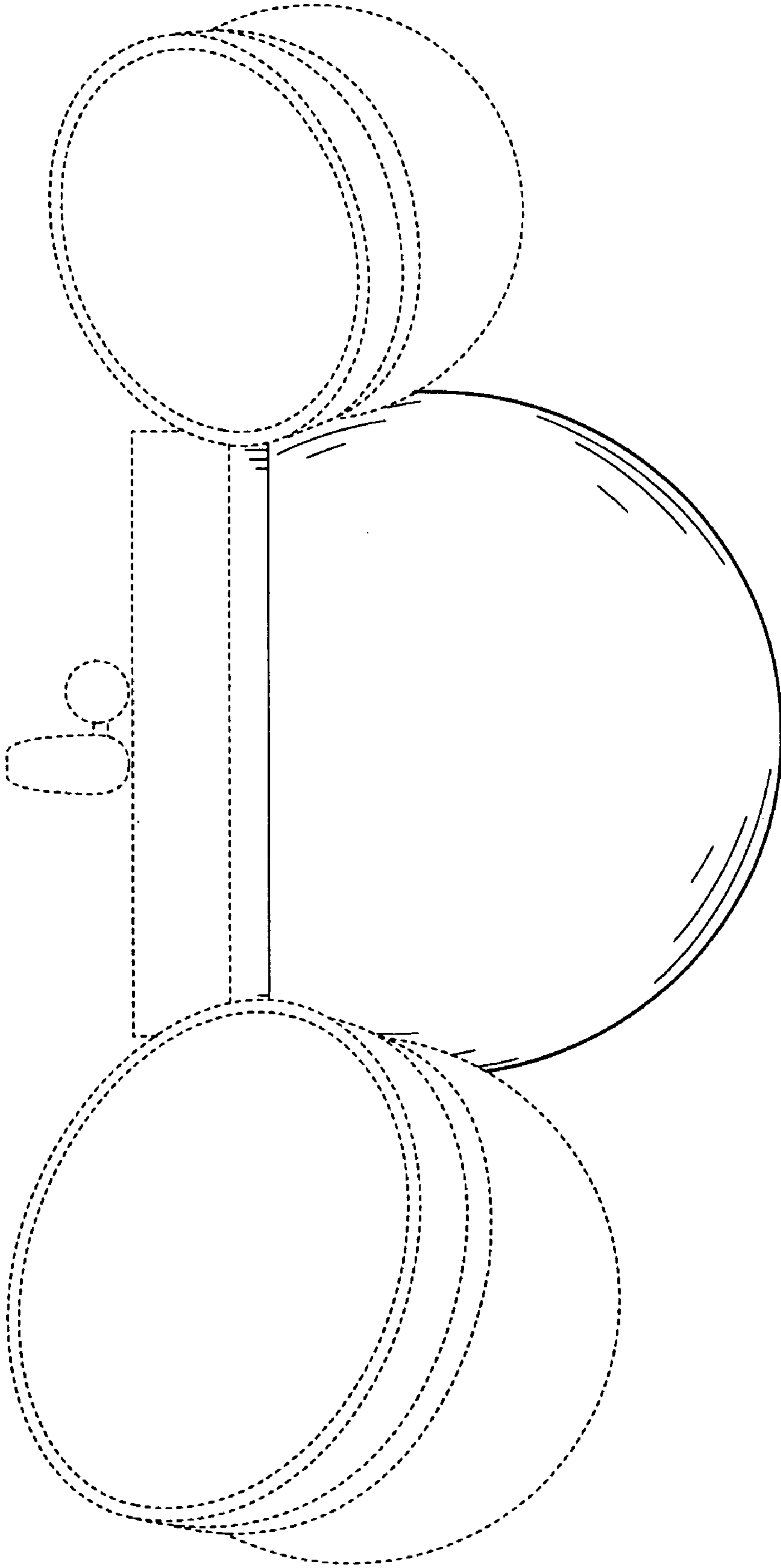


FIG. 6

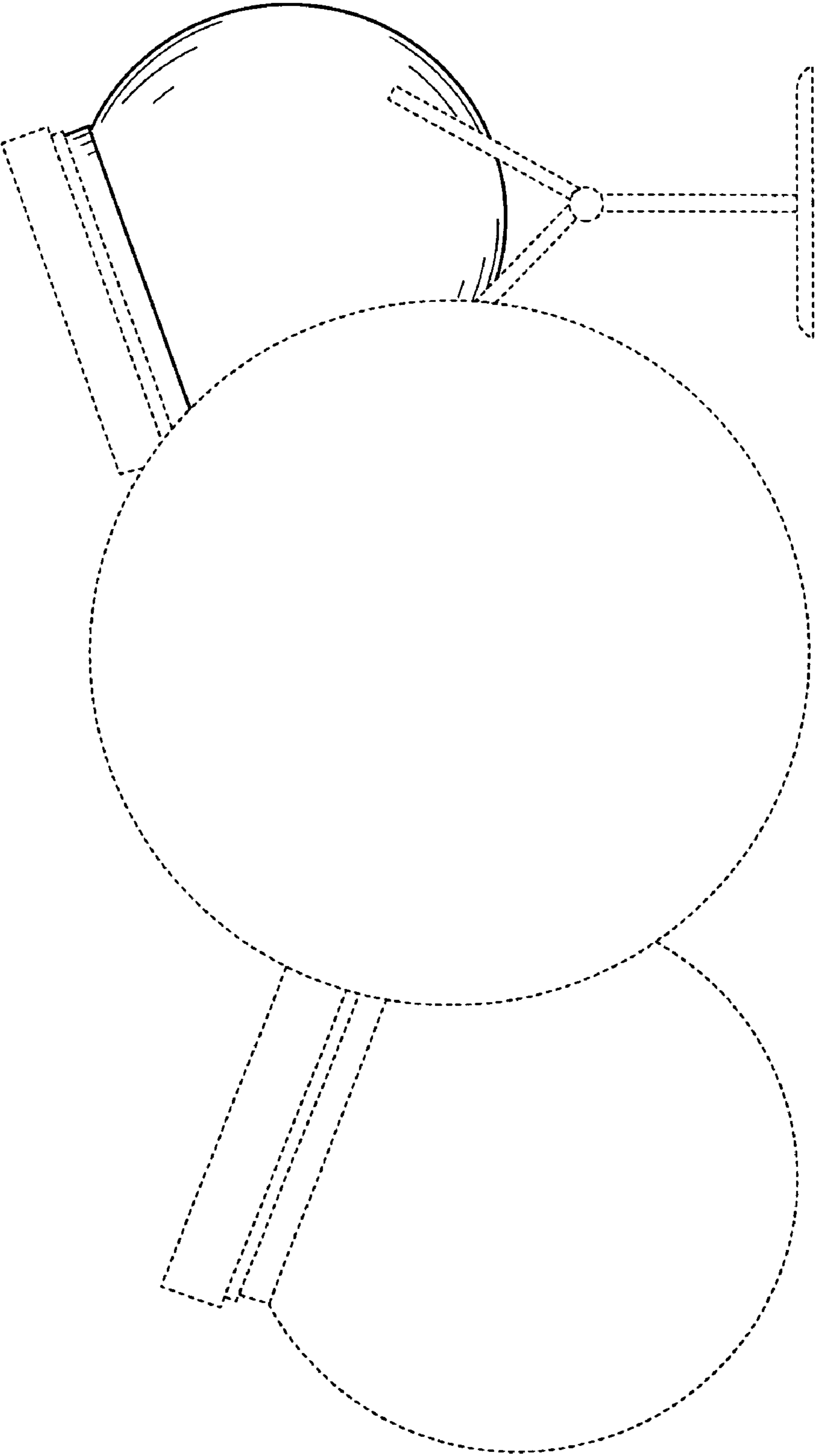


FIG. 7

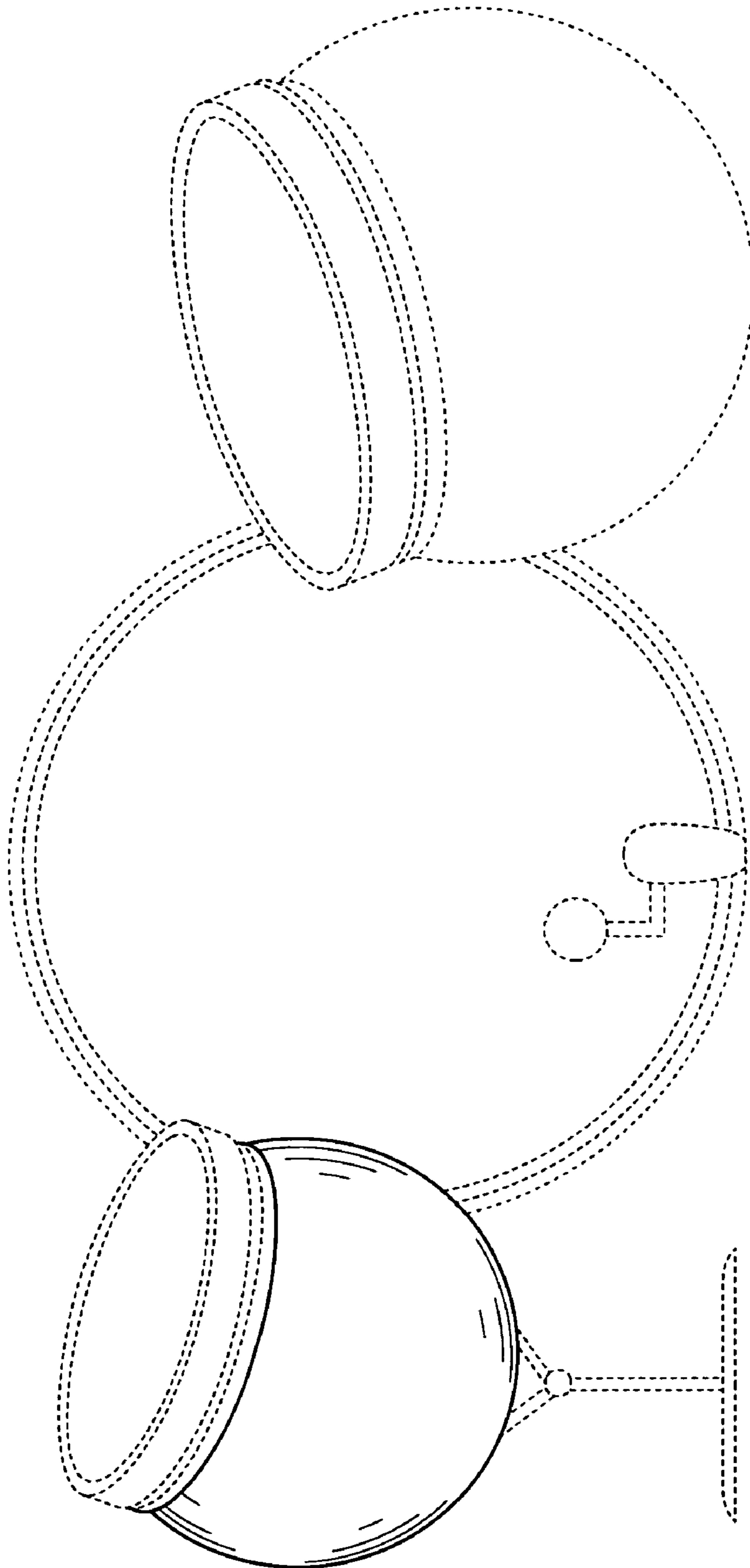


FIG. 8

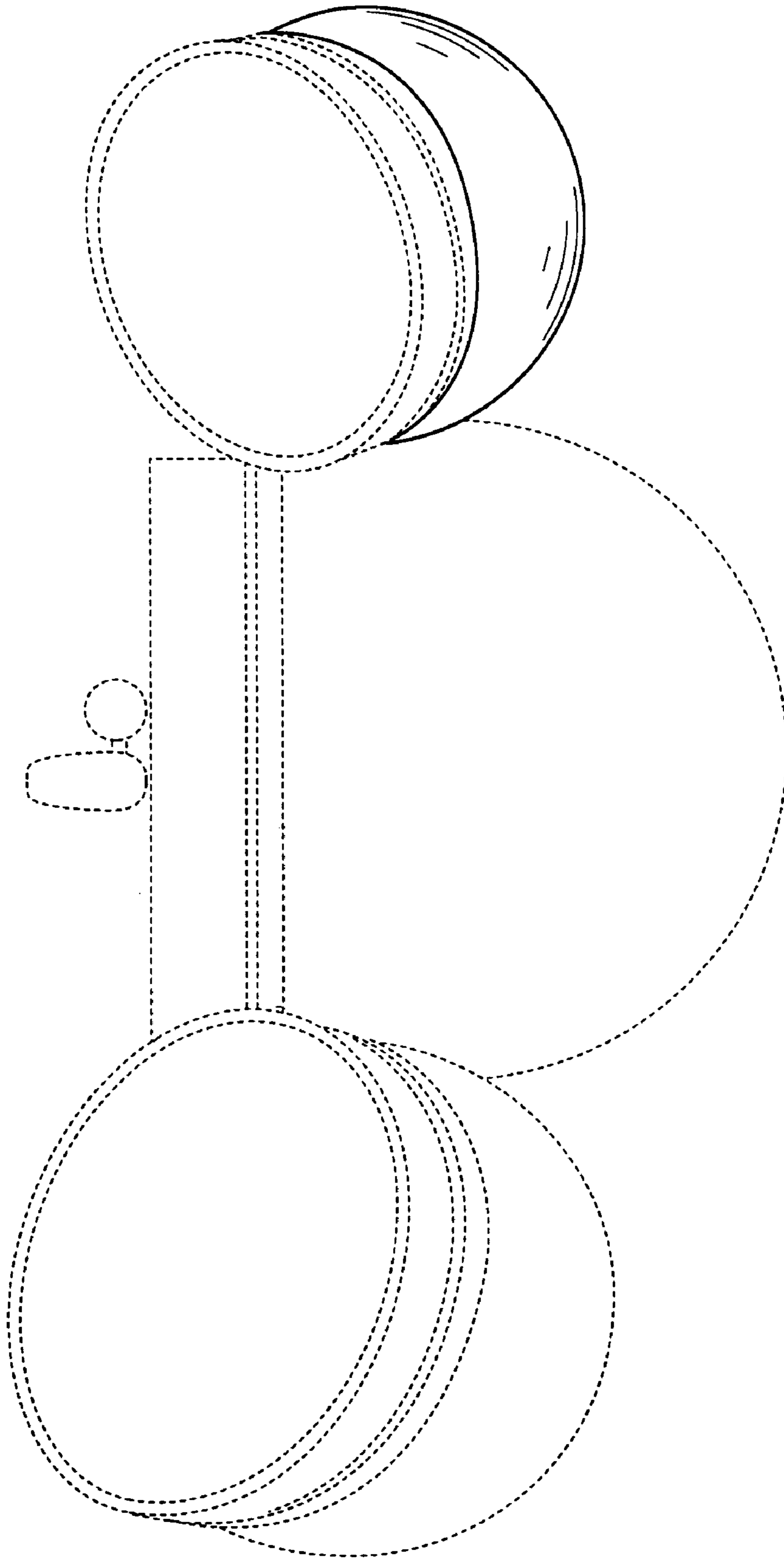


FIG. 9

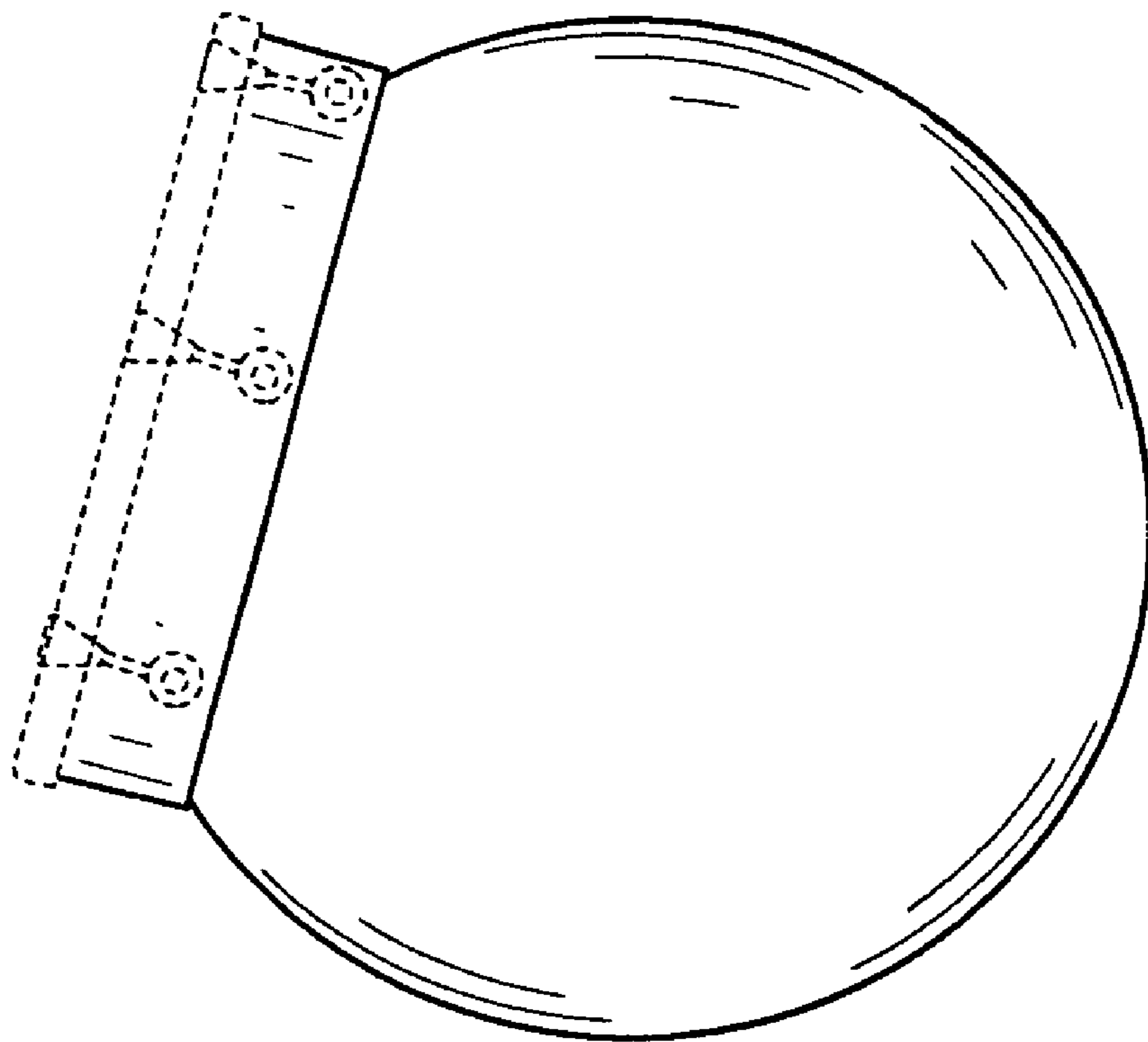


FIG. 10

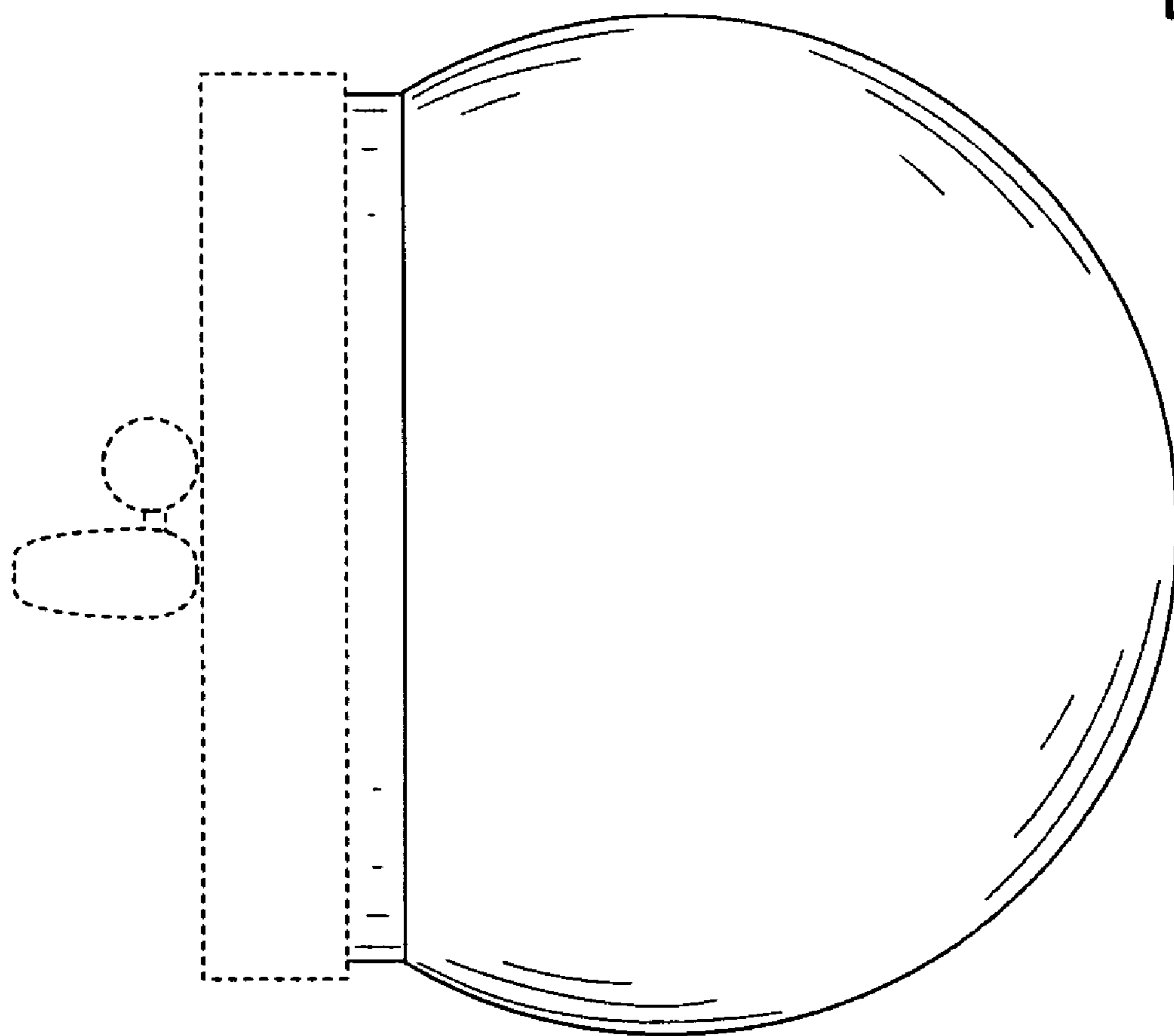


FIG. 11

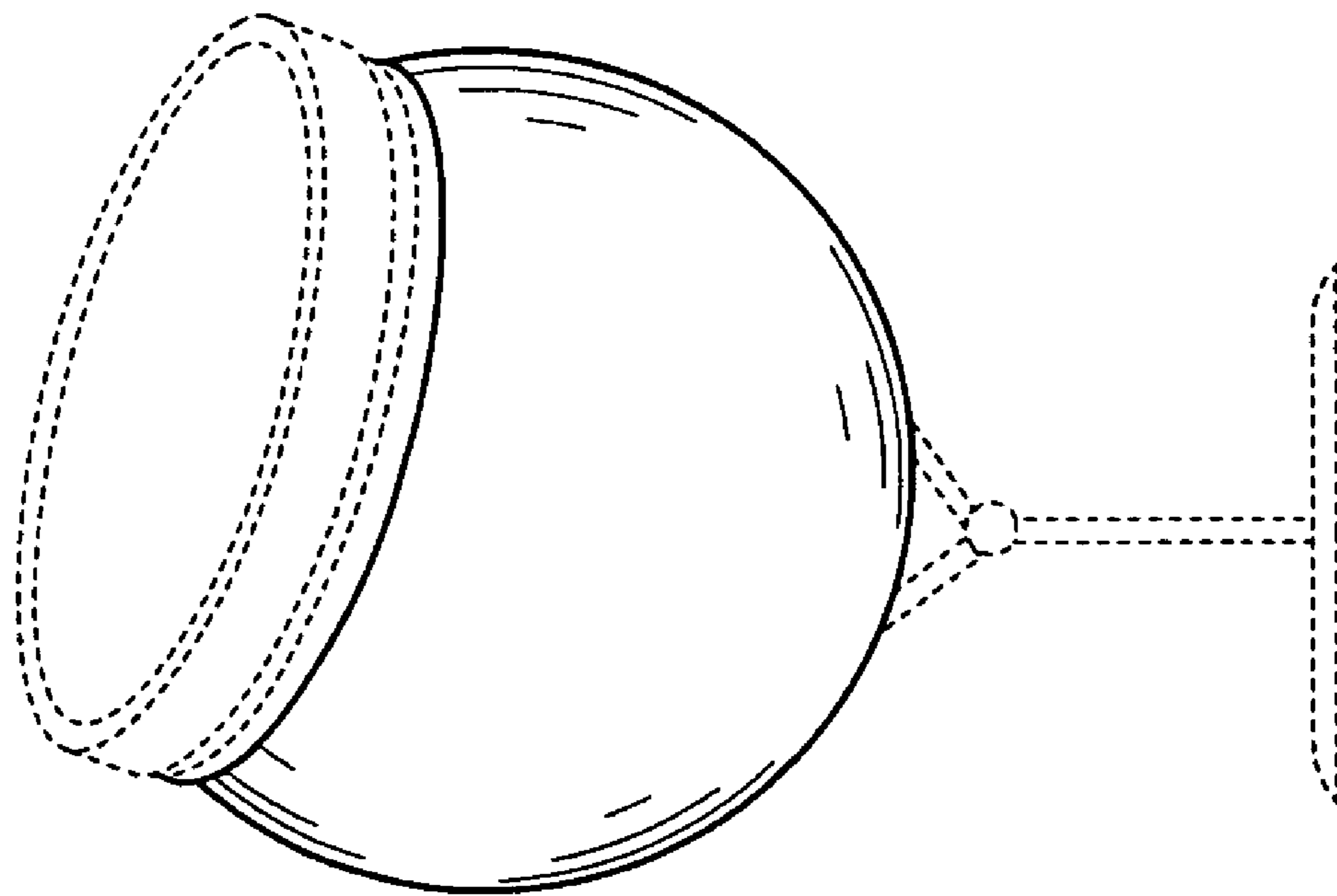


FIG. 12