



US00D575322S

(12) **United States Design Patent**  
**Aiba**

(10) **Patent No.:** **US D575,322 S**

(45) **Date of Patent:** **\*\* Aug. 19, 2008**

(54) **LENS FOR MONITORING CAMERA**

(75) Inventor: **Daigo Aiba**, Saitama (JP)

(73) Assignee: **Fujifilm Corporation**, Tokyo (JP)

(\*\*) Term: **14 Years**

(21) Appl. No.: **29/297,563**

(22) Filed: **Nov. 14, 2007**

**Related U.S. Application Data**

(62) Division of application No. 29/267,849, filed on Oct. 24, 2006.

(30) **Foreign Application Priority Data**

Apr. 26, 2006 (JP) ..... 2006-010853  
Apr. 26, 2006 (JP) ..... 2006-010854

(51) **LOC (8) Cl.** ..... **16-05**

(52) **U.S. Cl.** ..... **D16/245; D16/203**

(58) **Field of Classification Search** ..... D16/217,  
D16/219, 134, 136, 202–204; 348/373–376;  
396/529–532, 535–537, 522, 540, 541, 544;  
358/909.1; 359/822, 649, 811, 815, 819,  
359/826–837

See application file for complete search history.

(56) **References Cited**

**U.S. PATENT DOCUMENTS**

D192,706 S \* 5/1962 Himmelsbach ..... D16/134  
D271,698 S \* 12/1983 Shishido ..... D16/237  
4,478,491 A \* 10/1984 Kawai ..... 359/825

4,508,443 A \* 4/1985 Matsuzaki et al. .... 396/103  
D319,450 S \* 8/1991 Charles ..... D16/136  
D489,743 S \* 5/2004 Owada ..... D16/203  
D500,511 S \* 1/2005 Sybilrud ..... D16/203  
D506,489 S \* 6/2005 Owada ..... D16/203  
D510,589 S \* 10/2005 Andre et al. .... D16/202  
D545,858 S \* 7/2007 Li ..... D16/202  
D561,805 S \* 2/2008 Tokiwa et al. .... D16/208  
2008/0055746 A1 \* 3/2008 Wei-An ..... 359/819

\* cited by examiner

*Primary Examiner*—Ian Simmons

*Assistant Examiner*—Wan Laymon

(74) *Attorney, Agent, or Firm*—Birch, Stewart, Kolasch & Birch, LLP

(57) **CLAIM**

The ornamental design for a lens for monitoring camera, as shown.

**DESCRIPTION**

FIG. 1 is a perspective view of a lens for monitoring camera showing my new design;

FIG. 2 is a front view thereof;

FIG. 3 is a rear view thereof;

FIG. 4 is a top plan view thereof;

FIG. 5 is a bottom plan view thereof

FIG. 6 is a left side view thereof;

FIG. 7 is a right side view thereof; and,

FIG. 8 is a rear perspective view thereof.

**1 Claim, 4 Drawing Sheets**

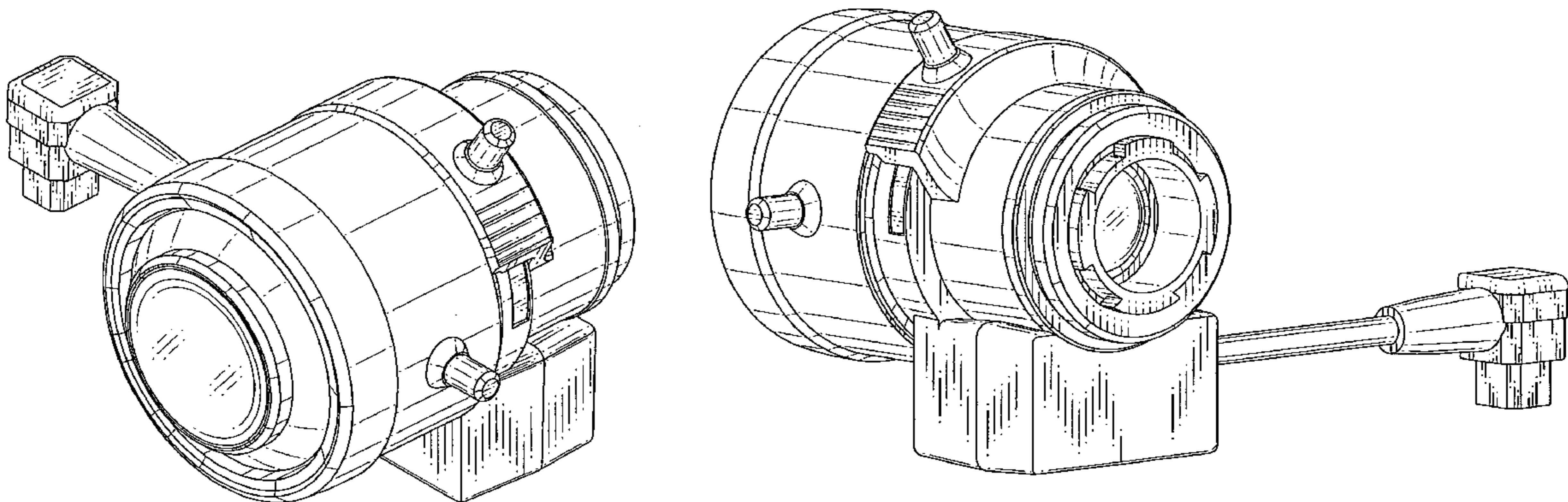


FIG. 1

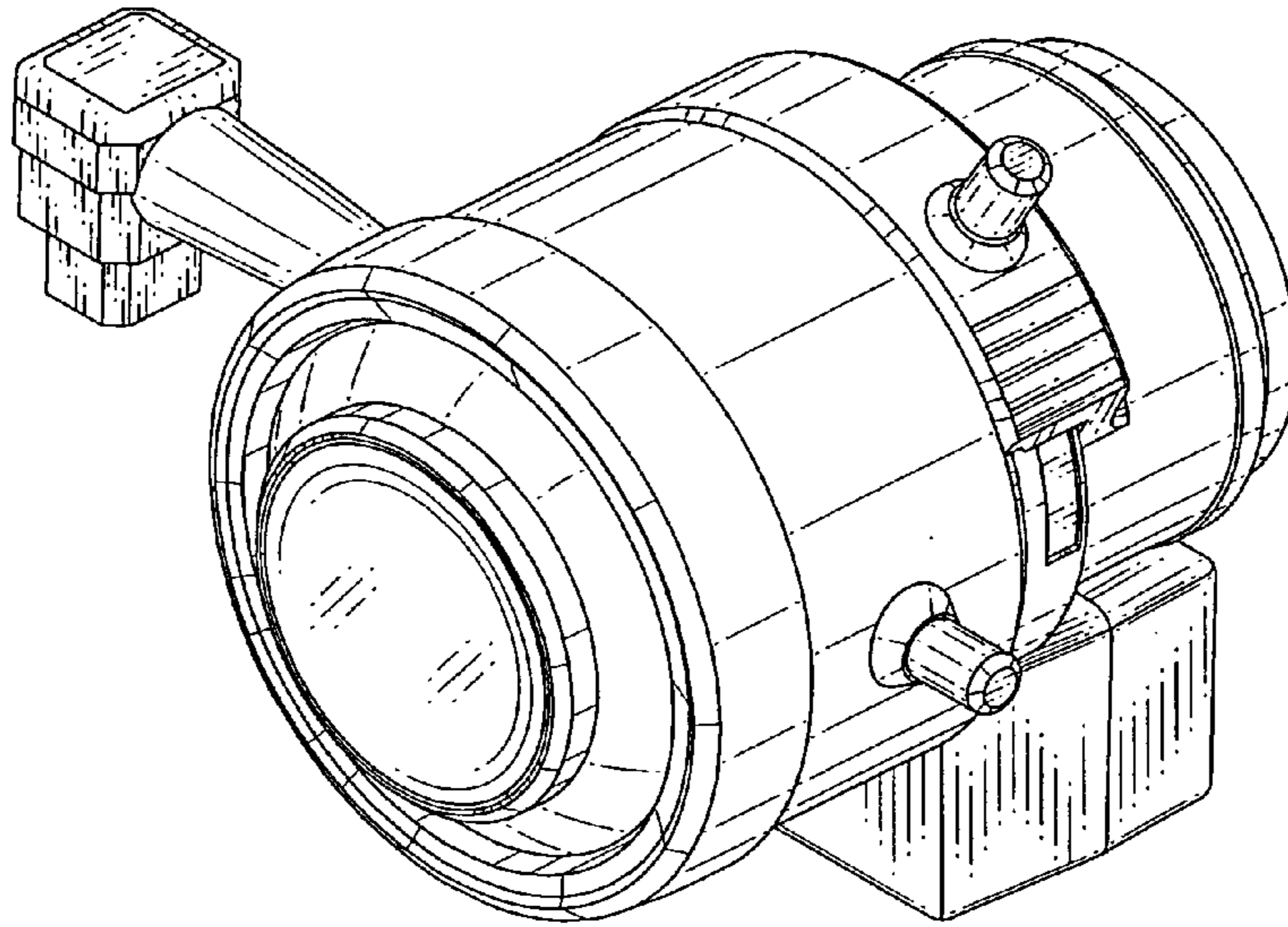


FIG. 2

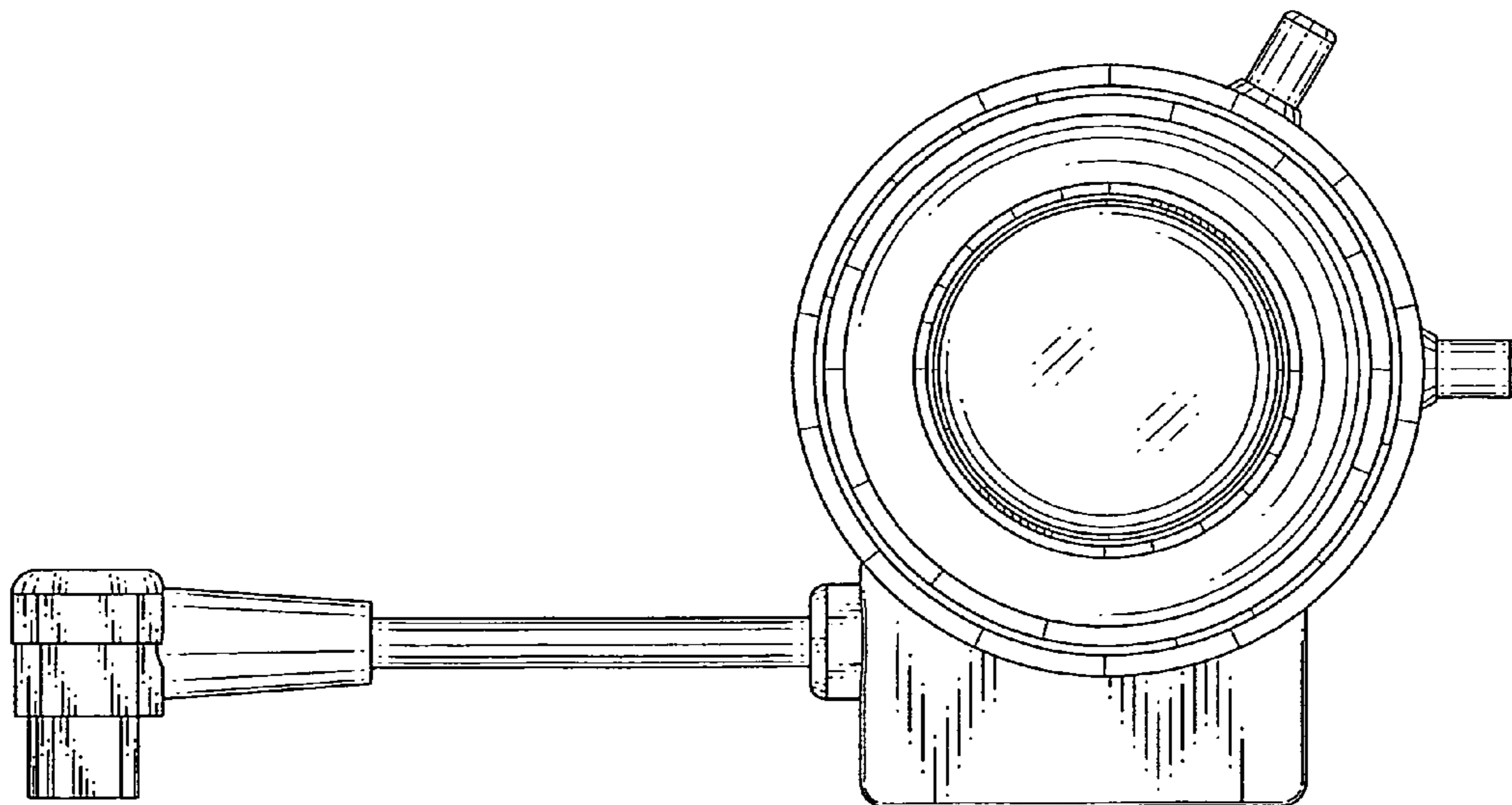


FIG. 3

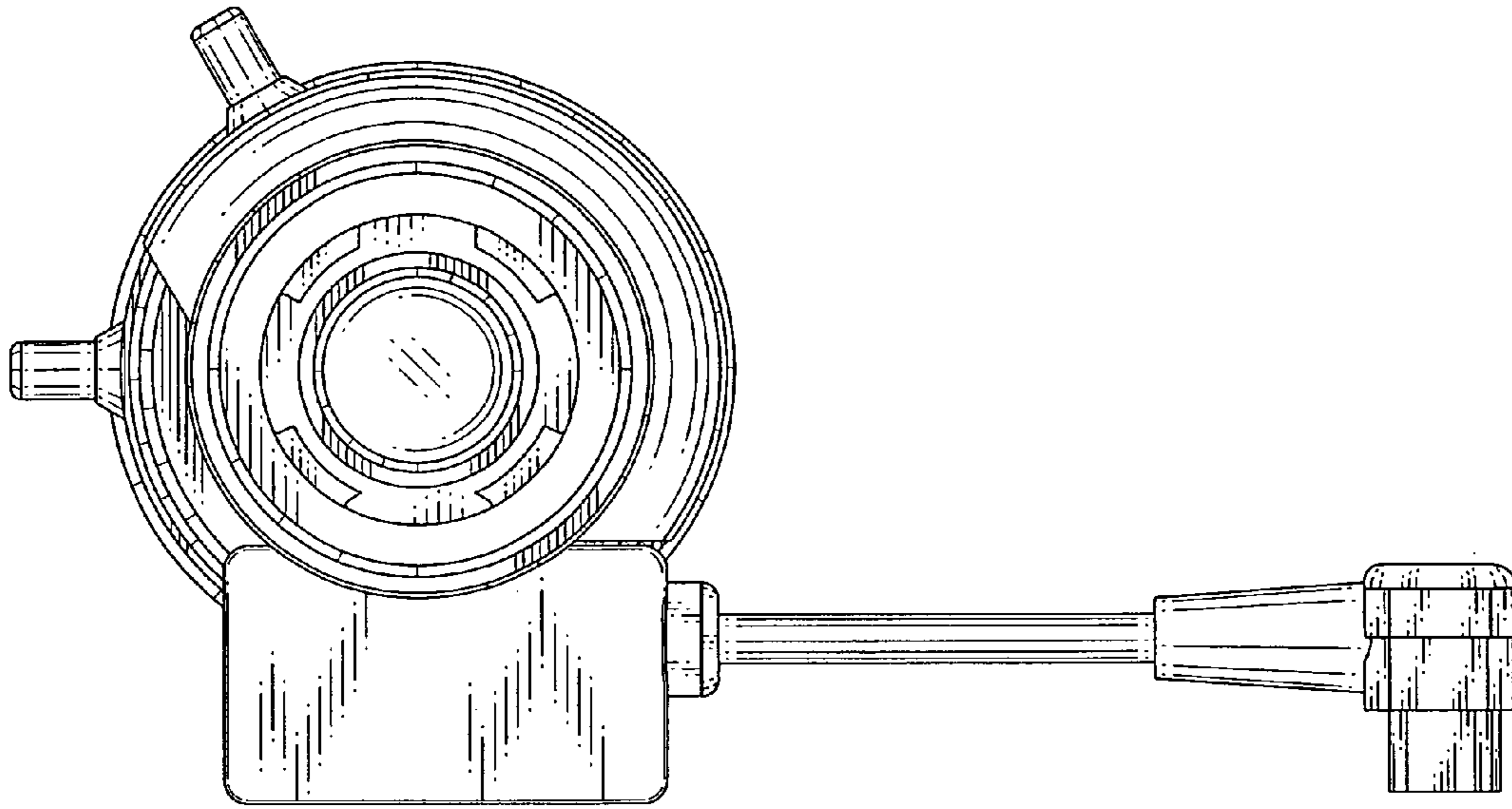


FIG. 4

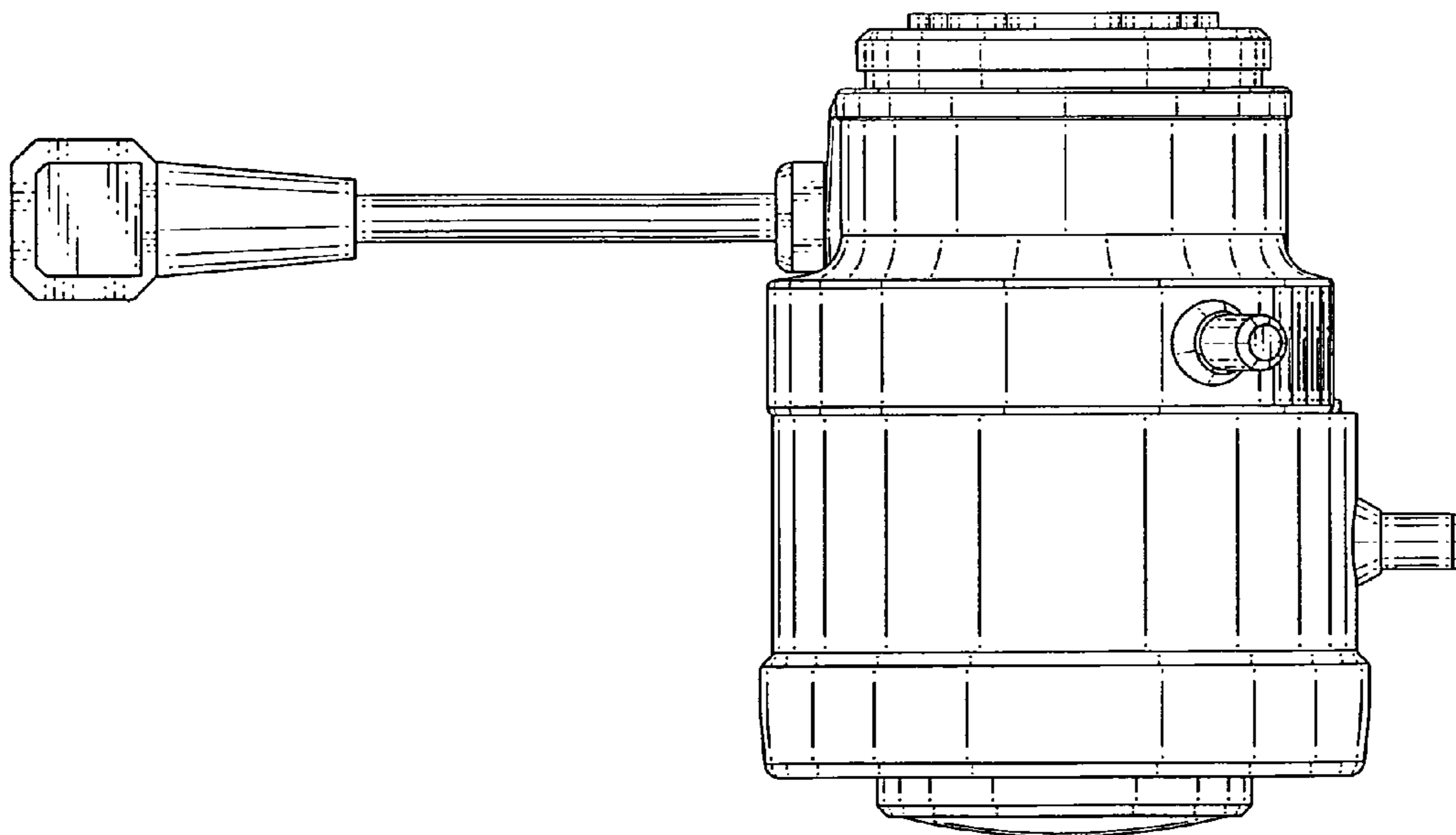


FIG. 5

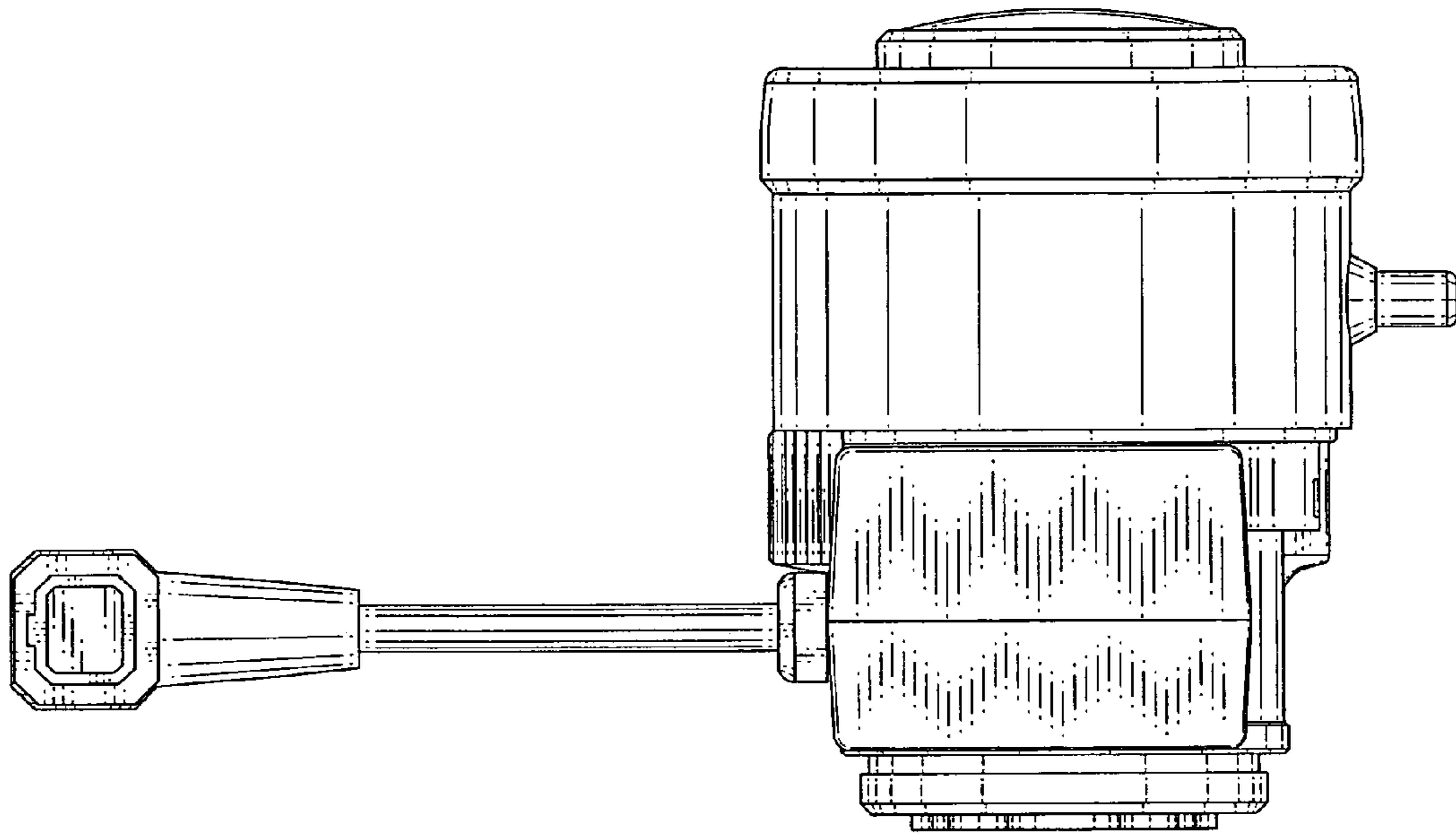


FIG. 6

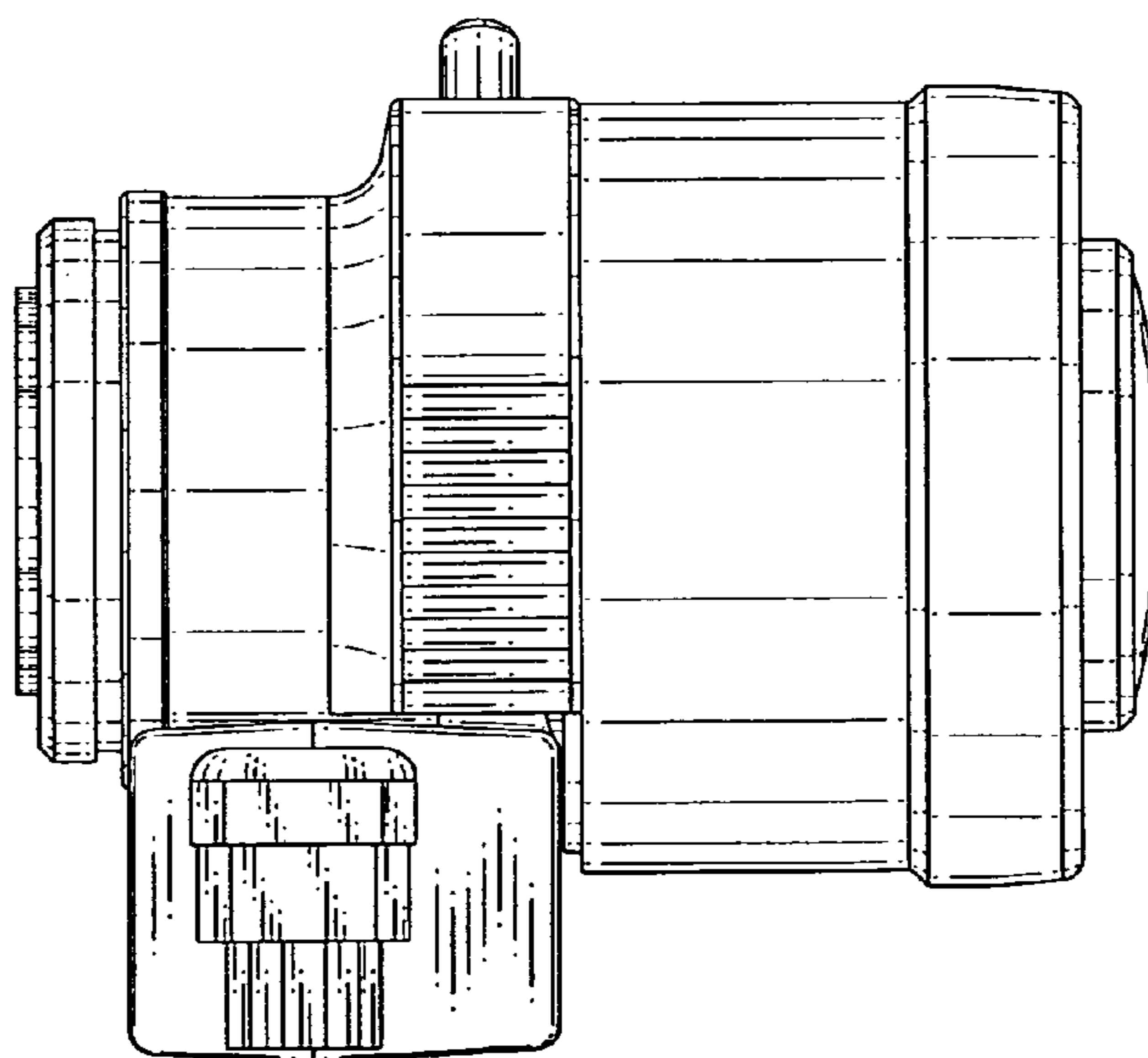


FIG. 7

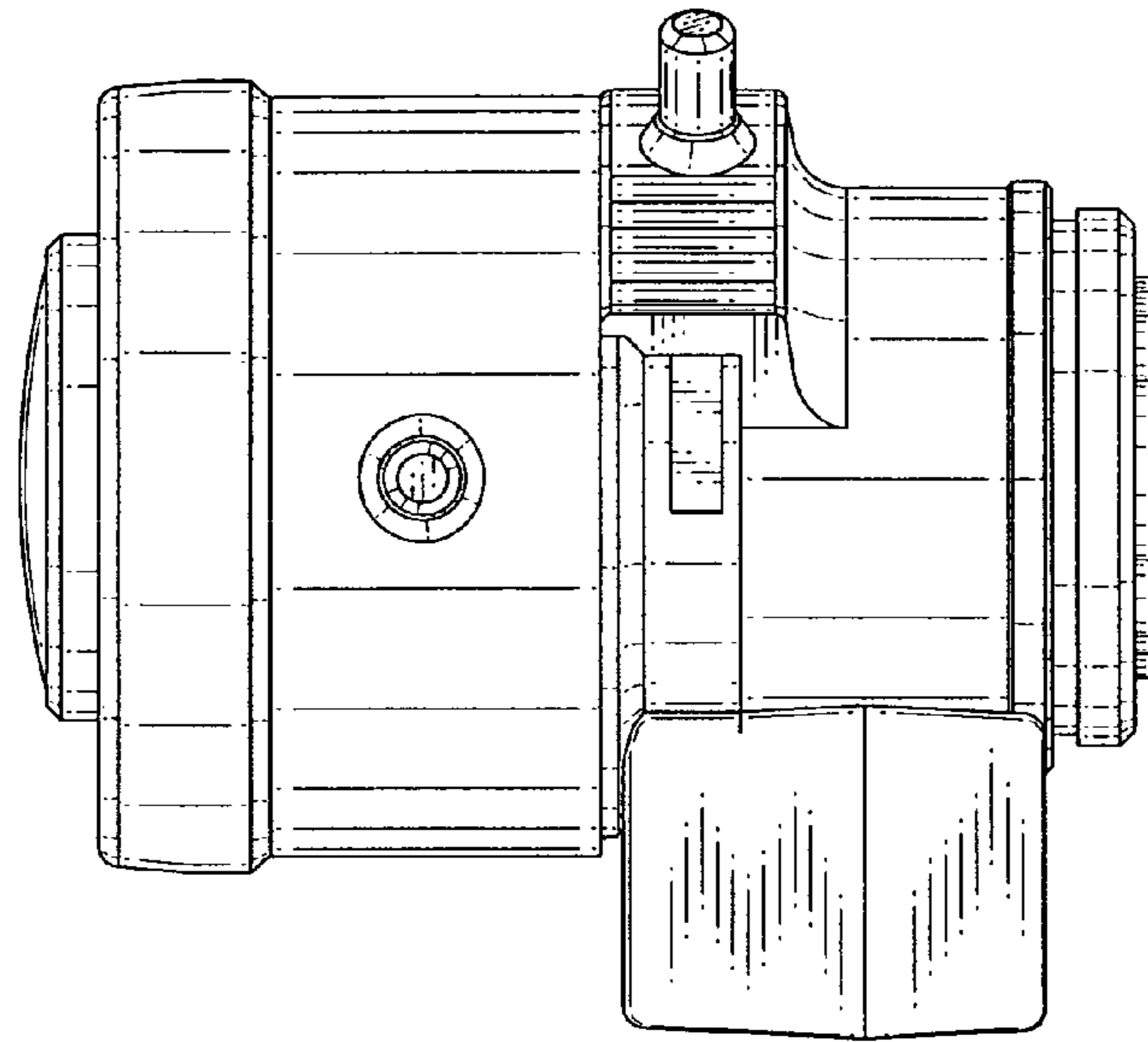
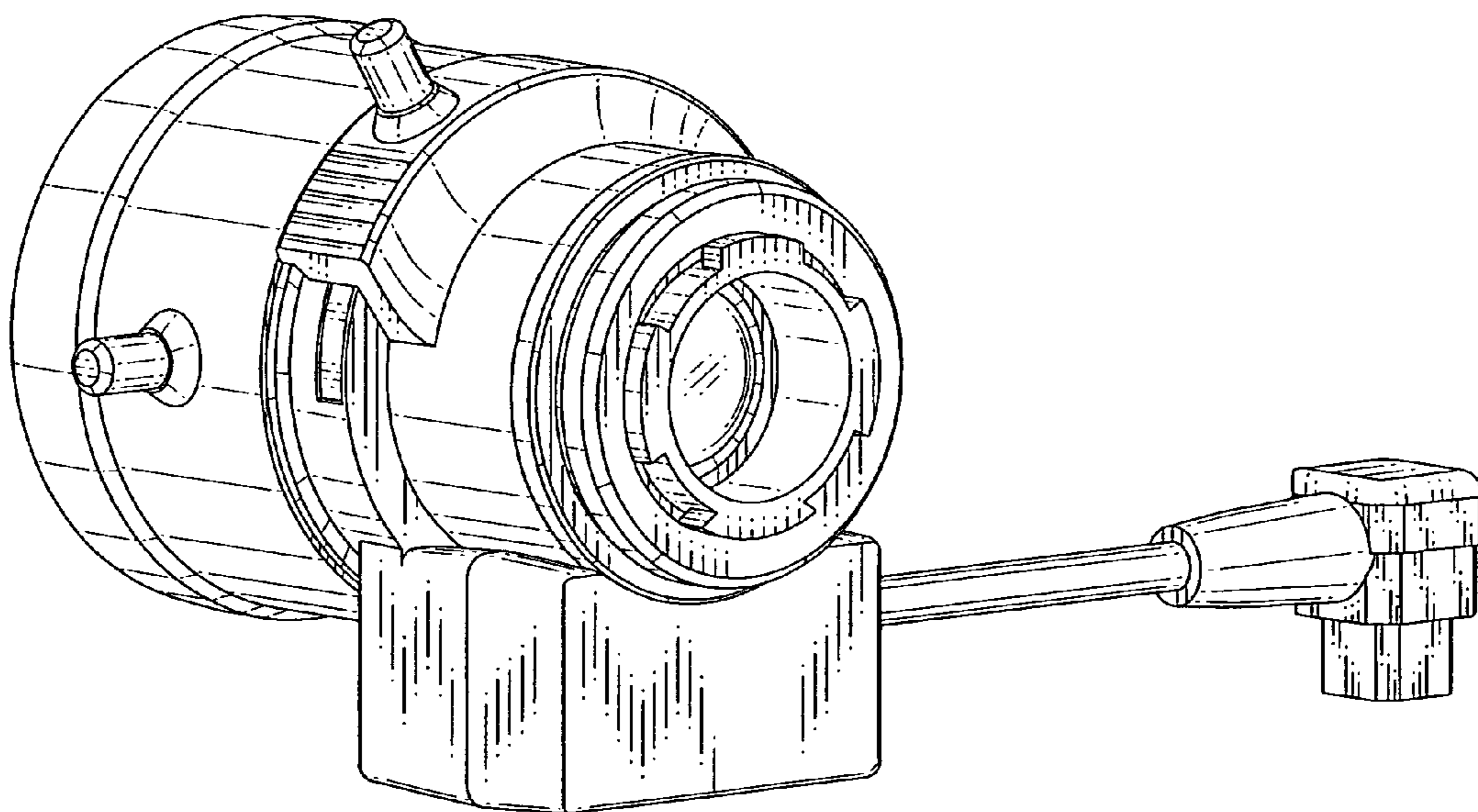


FIG. 8



UNITED STATES PATENT AND TRADEMARK OFFICE  
**CERTIFICATE OF CORRECTION**

PATENT NO. : Des. 575,322 S  
APPLICATION NO. : 29/297563  
DATED : August 19, 2008  
INVENTOR(S) : Daigo Aiba

Page 1 of 1

It is certified that error appears in the above-identified patent and that said Letters Patent is hereby corrected as shown below:

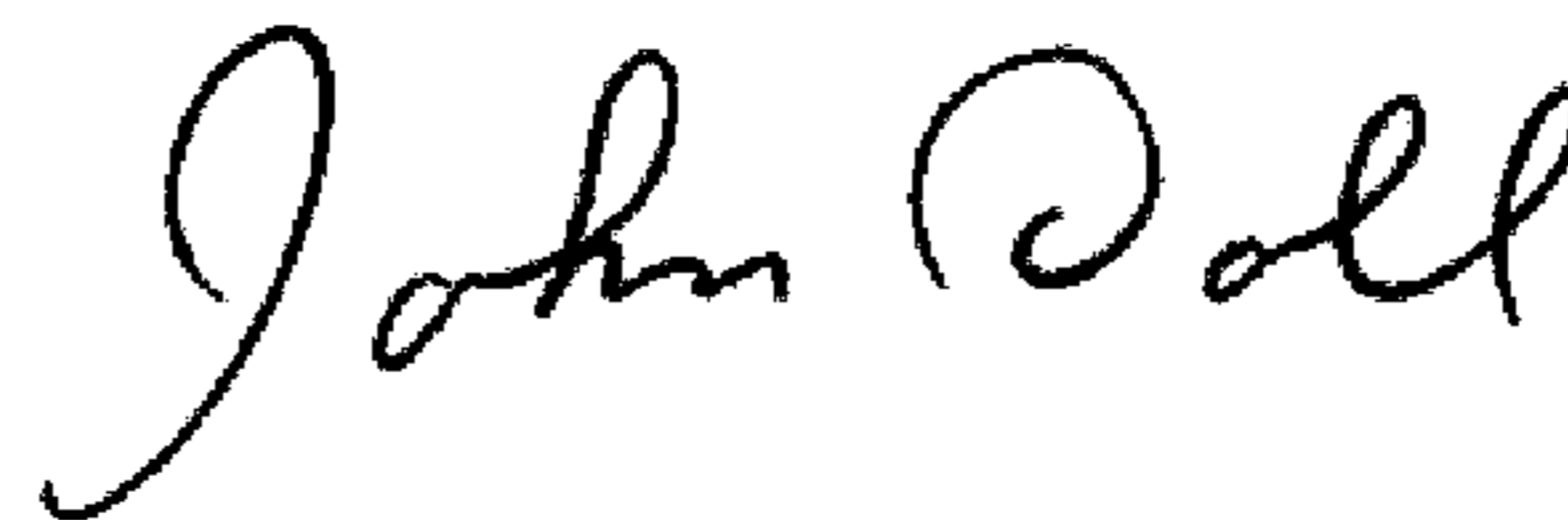
Title Page

Item (73) Assignee:

The line reading "Fujifilm Corporation, Tokyo (JP)" should read  
--Fujinon Corporation, Tokyo (JP)--

Signed and Sealed this

Fourteenth Day of July, 2009



JOHN DOLL  
*Acting Director of the United States Patent and Trademark Office*