



US00D575321S

(12) **United States Design Patent**
van Kuijk

(10) **Patent No.:** **US D575,321 S**

(45) **Date of Patent:** **** Aug. 19, 2008**

(54) **SUPPORT FOR A PROJECTOR**

(75) Inventor: **Ewald van Kuijk**, Eindhoven (NL)

(73) Assignee: **Vogel's Holding B.V.**, Eindhoven (NL)

(**) Term: **14 Years**

(21) Appl. No.: **29/264,723**

(22) Filed: **Aug. 15, 2006**

(30) **Foreign Application Priority Data**

Feb. 17, 2006 (EM) 000481387

(51) **LOC (8) Cl.** **16-02**

(52) **U.S. Cl.** **D16/235**

(58) **Field of Classification Search** D16/221,
D16/235, 242, 245; D8/355; 248/177.1,
248/278.1, 346.01, 346.03, 121, 523, 903,
248/127, 187.1, 176.1; 352/243; 396/419,
396/421

See application file for complete search history.

(56) **References Cited**

U.S. PATENT DOCUMENTS

D221,634 S * 8/1971 Bradspies et al. D34/18
D308,067 S * 5/1990 Mednick D16/245
D361,587 S * 8/1995 Chapman D16/242
6,042,068 A * 3/2000 Tcherny 248/221.11
6,071,031 A * 6/2000 Bailey 403/57
6,485,144 B1 * 11/2002 Liao 352/243
6,827,319 B2 * 12/2004 Mayr 248/187.1
D513,470 S * 1/2006 Gillespie et al. D8/355
D514,612 S * 2/2006 Boele D16/235
7,118,081 B2 * 10/2006 Smith et al. 248/188.2
D540,367 S * 4/2007 Dittmer D16/235
7,287,731 B2 * 10/2007 Johnson 248/183.3

2003/0218108 A1 * 11/2003 Werner 248/187.1
2005/0286028 A1 * 12/2005 Challis 353/119
2006/0175482 A1 * 8/2006 Johnson 248/176.1
2006/0222452 A1 * 10/2006 Abels et al. 403/50
2007/0257181 A1 * 11/2007 Dittmer et al. 248/637

* cited by examiner

Primary Examiner—Ian Simmons

Assistant Examiner—Wan Laymon

(74) *Attorney, Agent, or Firm*—Ladas & Parry LLP

(57) **CLAIM**

The ornamental design for the support for a projector, as shown and described.

DESCRIPTION

FIG. 1 is a top view of a support for a projector showing my new design;

FIG. 2 is a bottom view thereof;

FIG. 3 is a front view thereof;

FIG. 4 is a front view, with its bottom part in an angled position;

FIG. 5 is a first side view thereof;

FIG. 6 is a second side view thereof;

FIG. 7 is a rear view of FIG. 1, with its bottom part in an angled position;

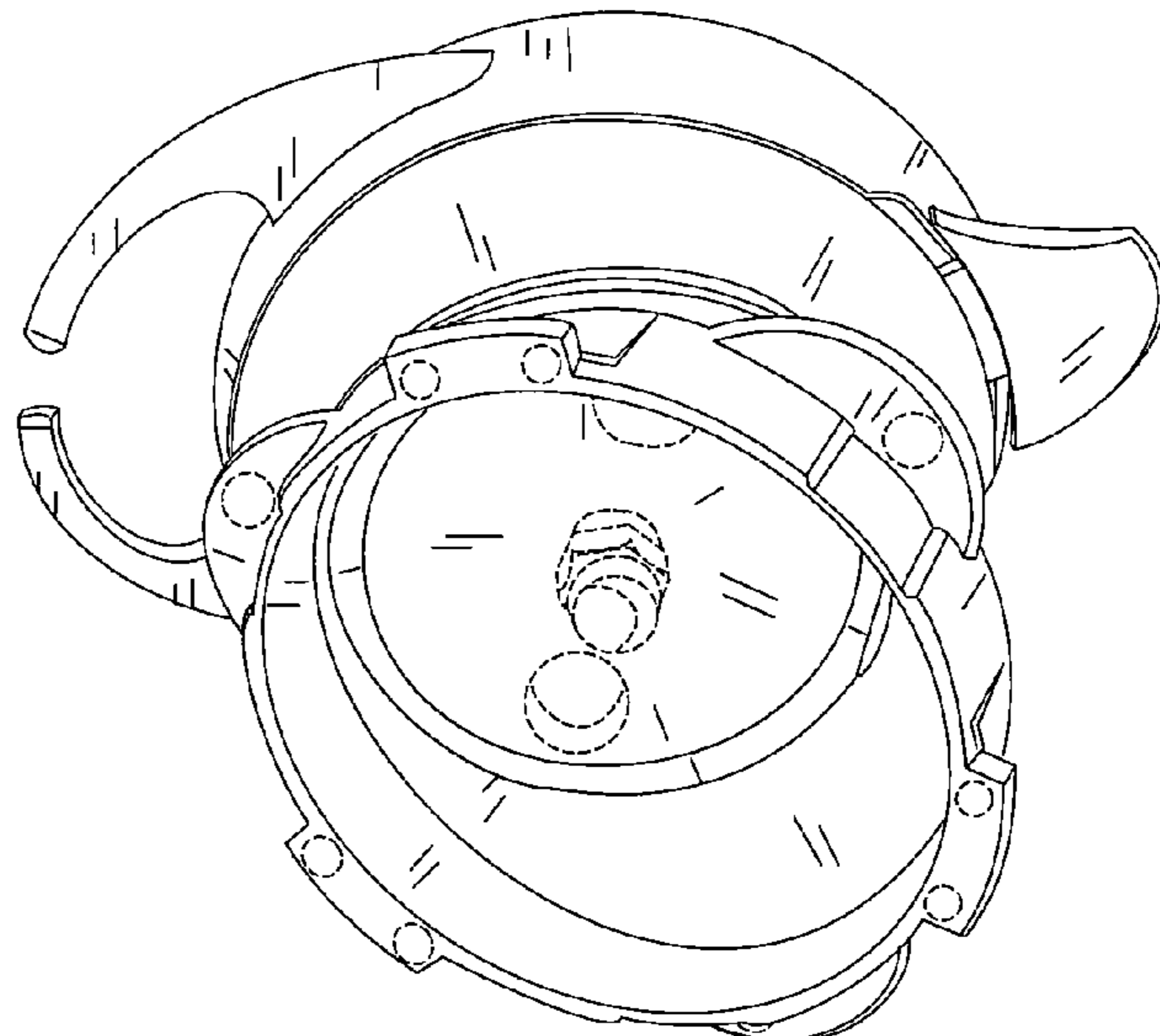
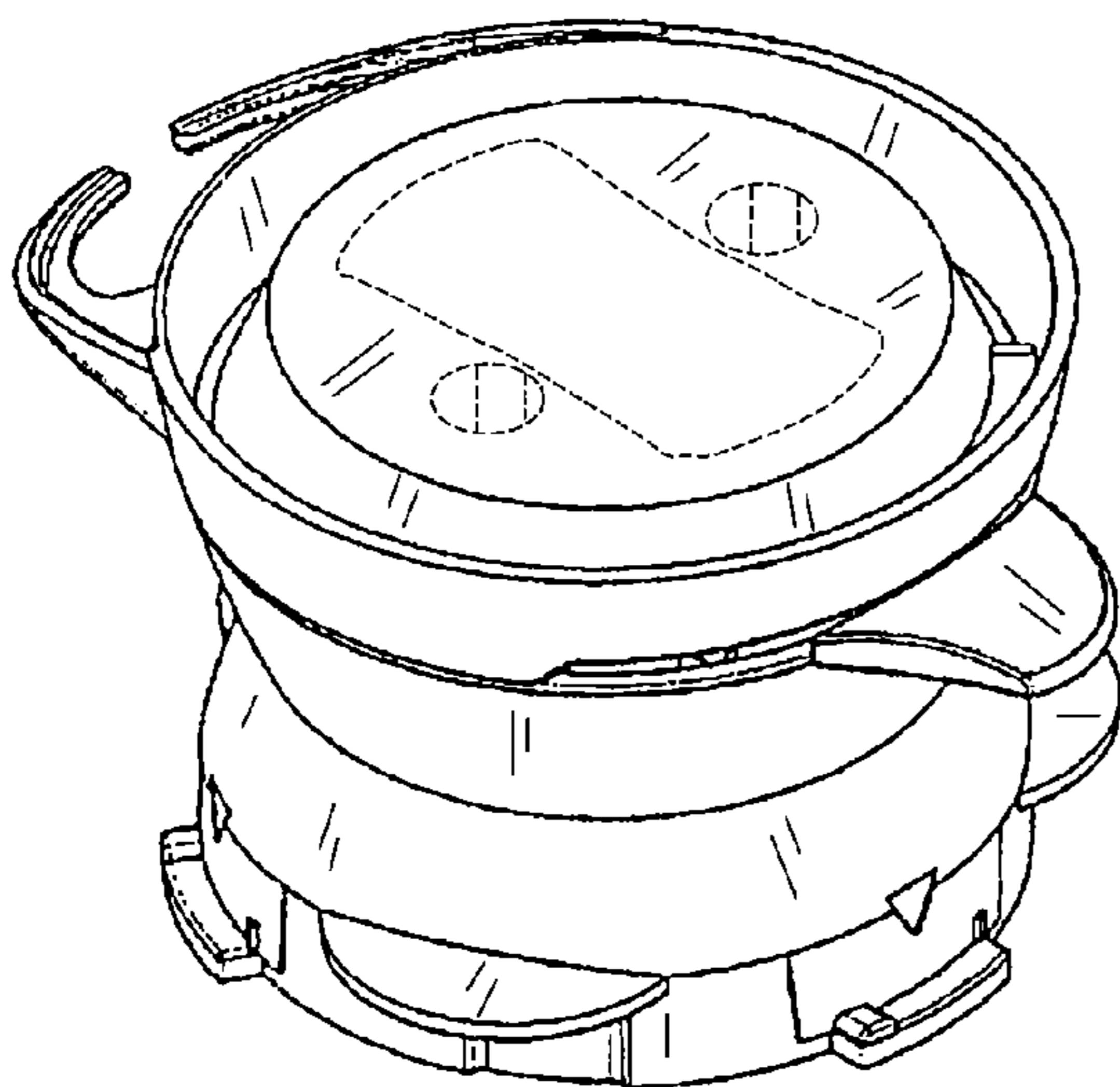
FIG. 8 is a second side view of FIG. 6, with its bottom part in an angled position;

FIG. 9 is a front and top perspective view of FIG. 1;

FIG. 10 is a front and bottom perspective view thereof; and,

FIG. 11 is a front and bottom perspective view, with its bottom in an angled position thereof.

1 Claim, 3 Drawing Sheets



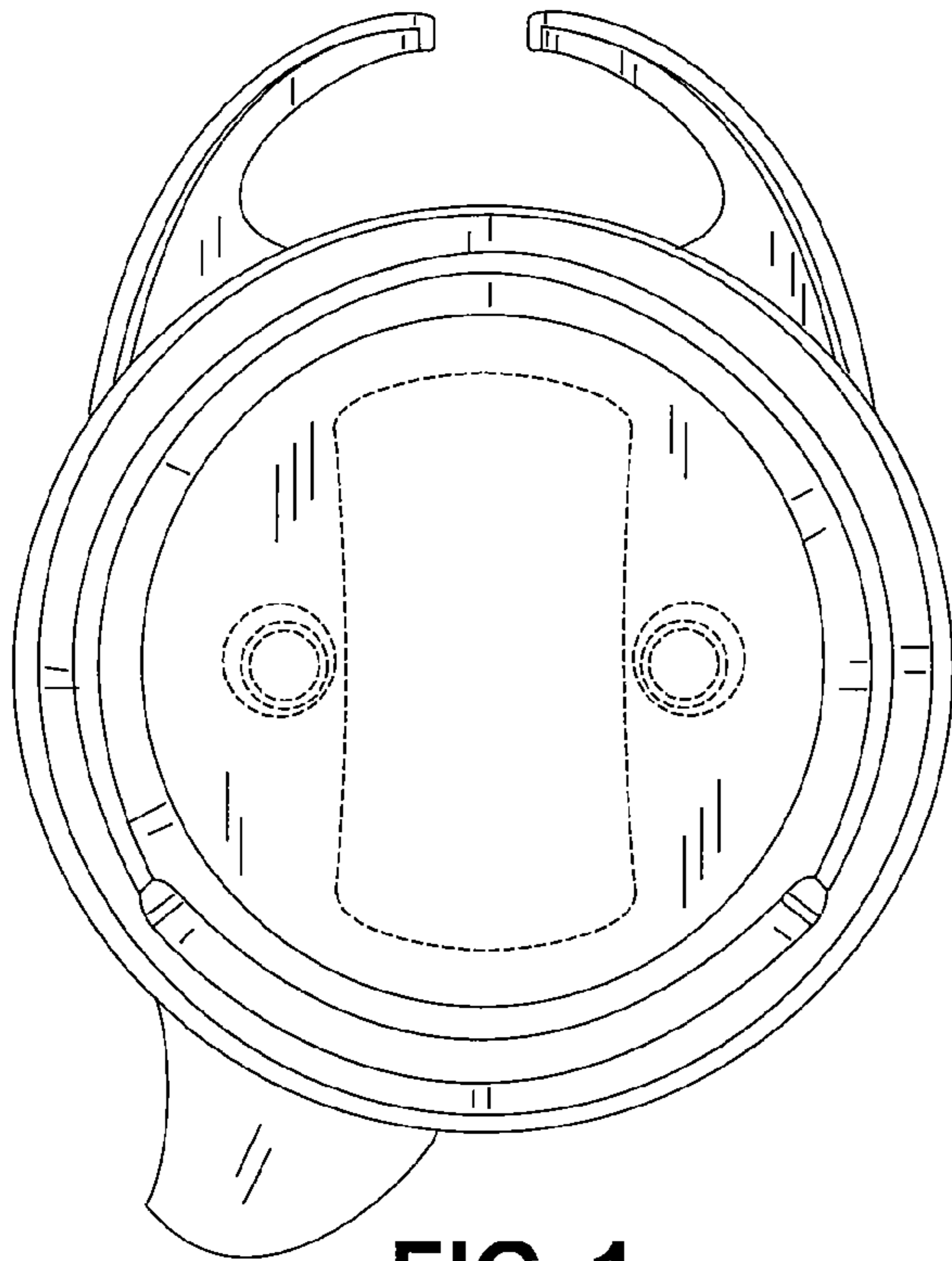


FIG. 1

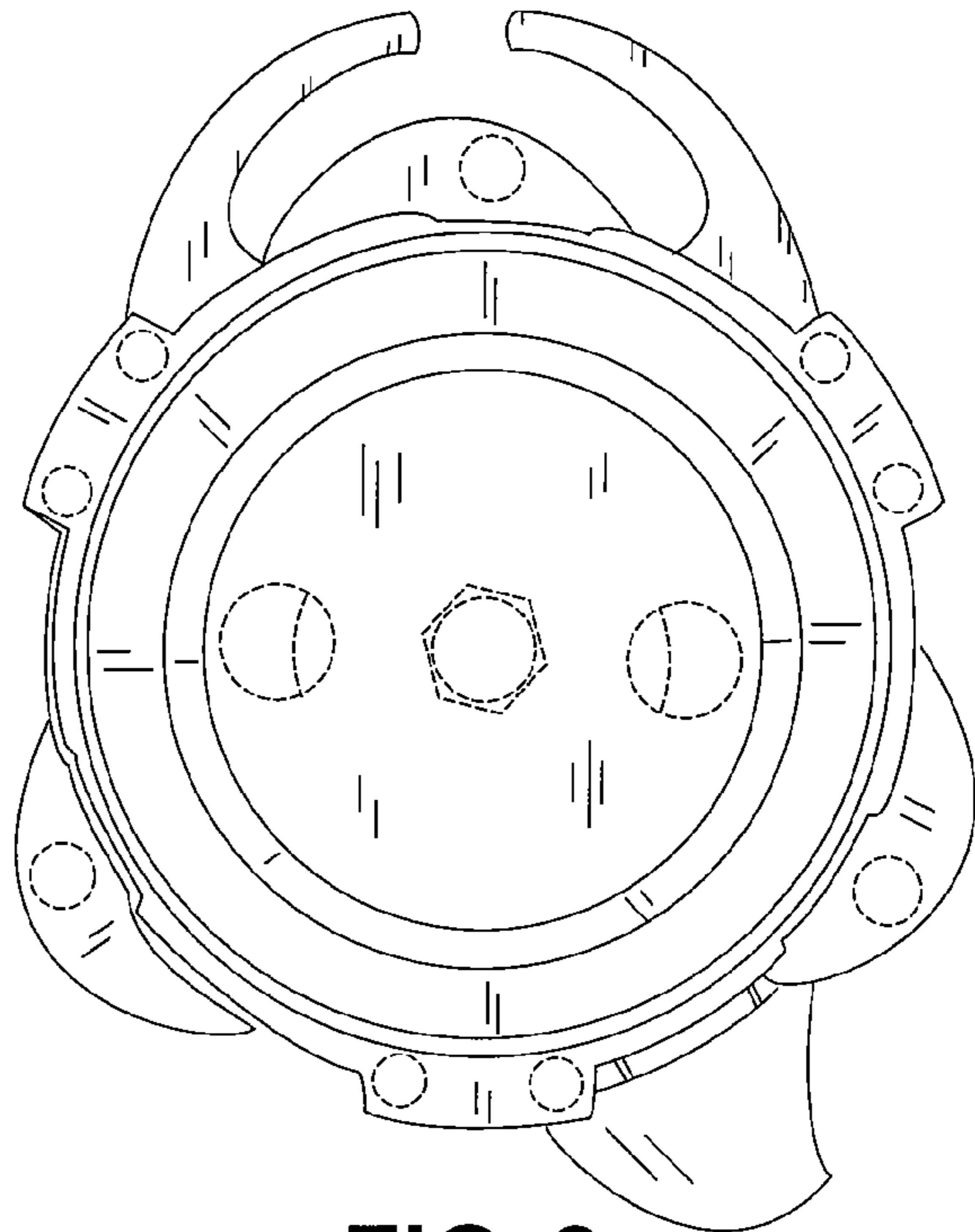


FIG. 2

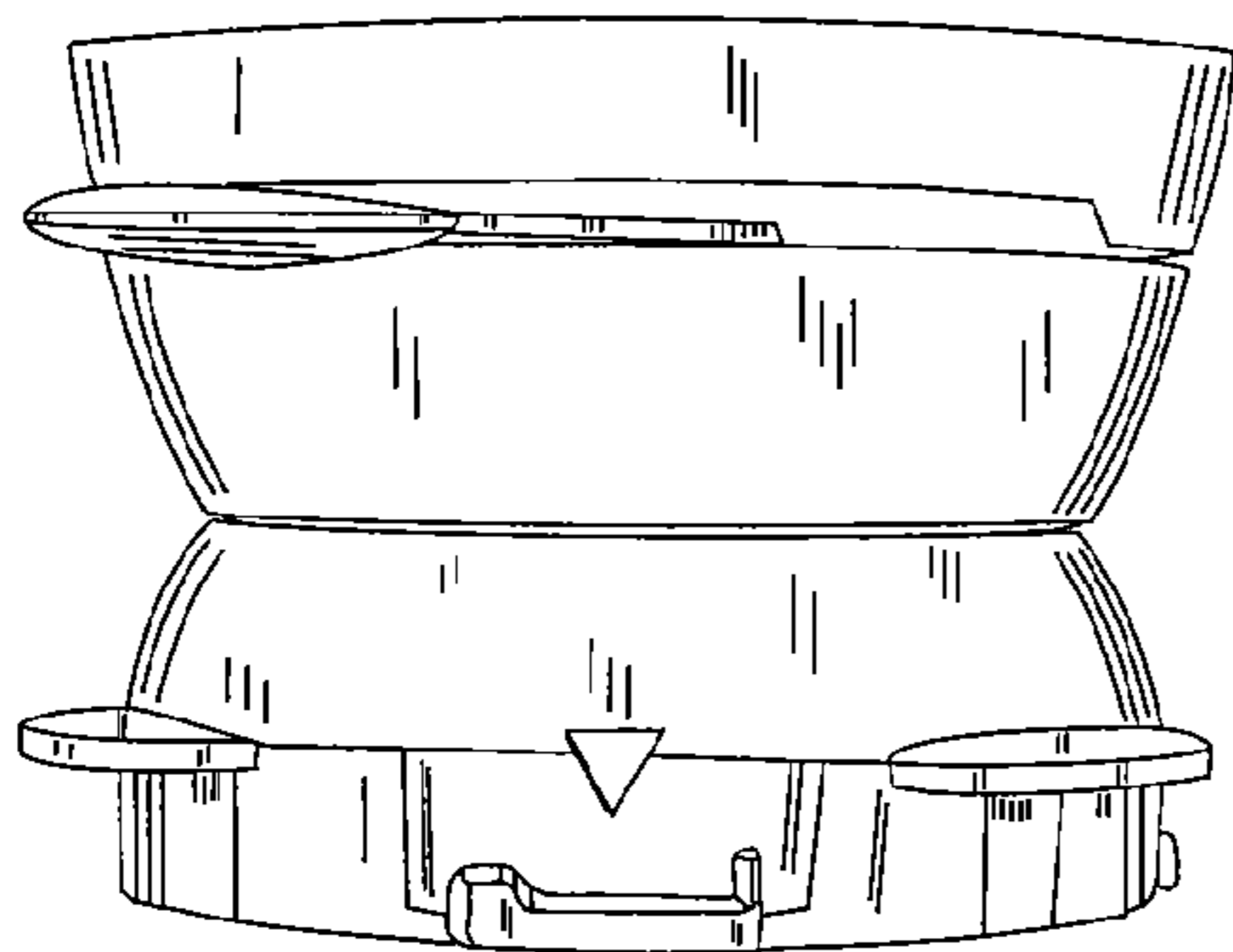


FIG. 3

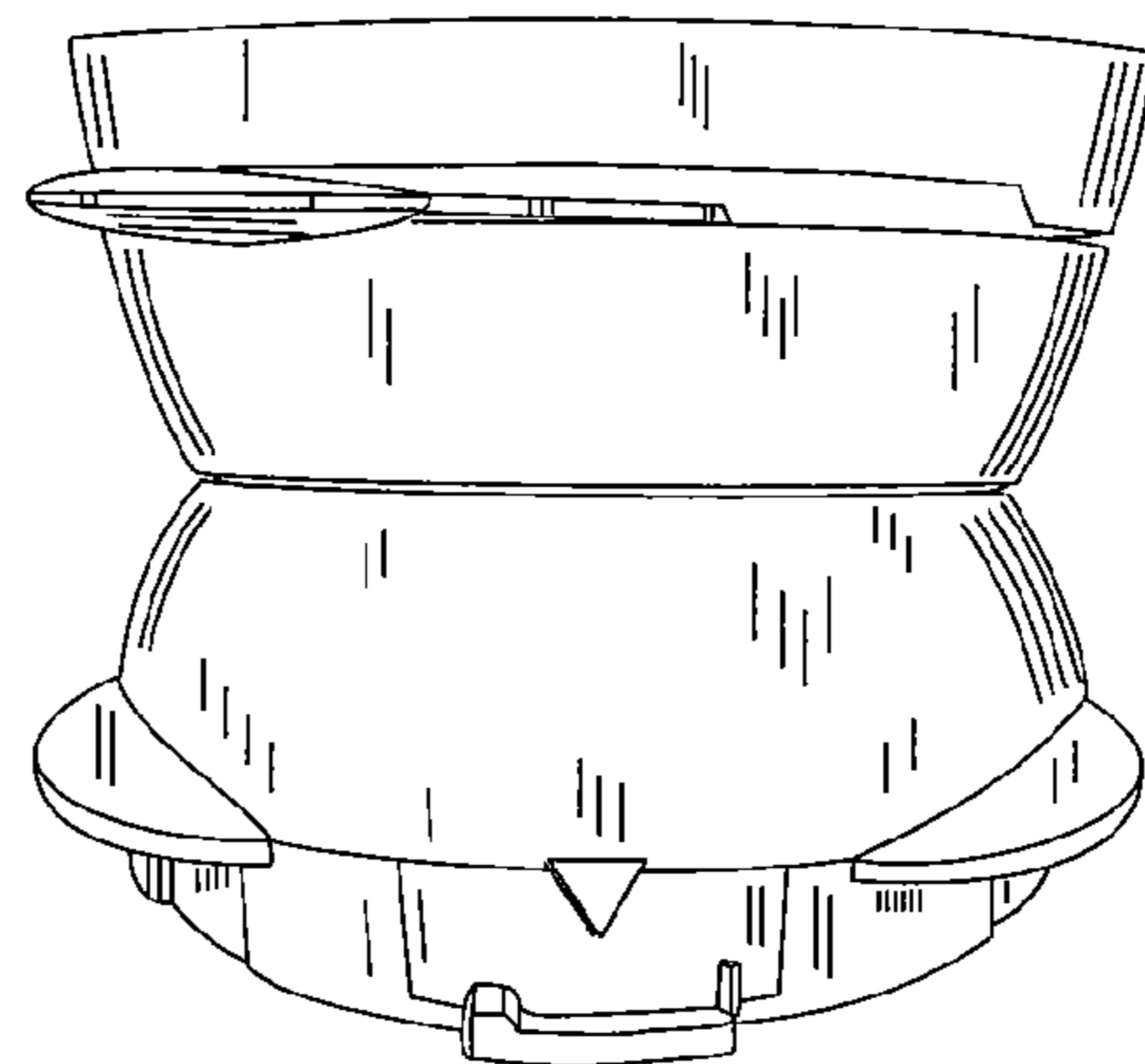


FIG. 4

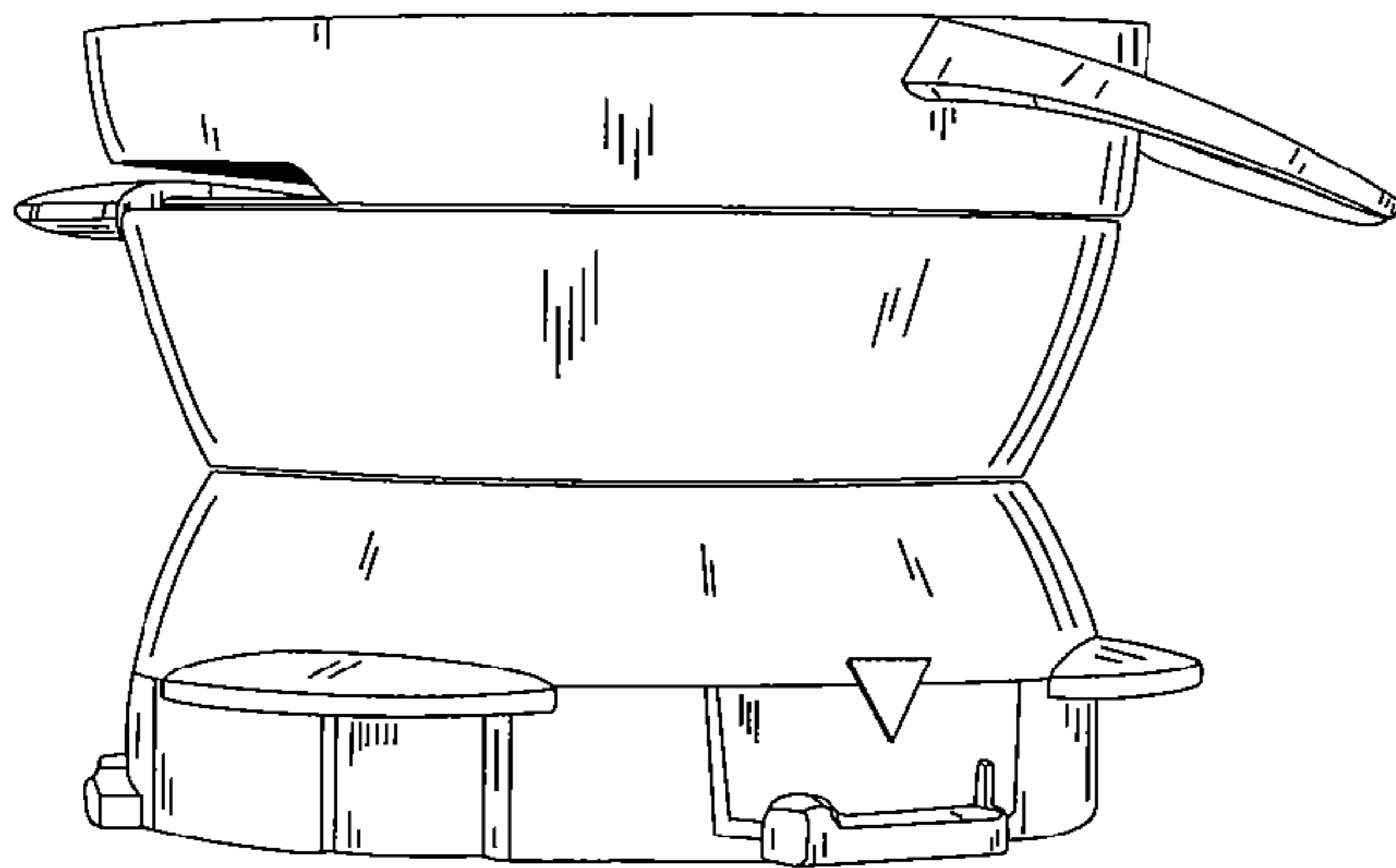


FIG. 5

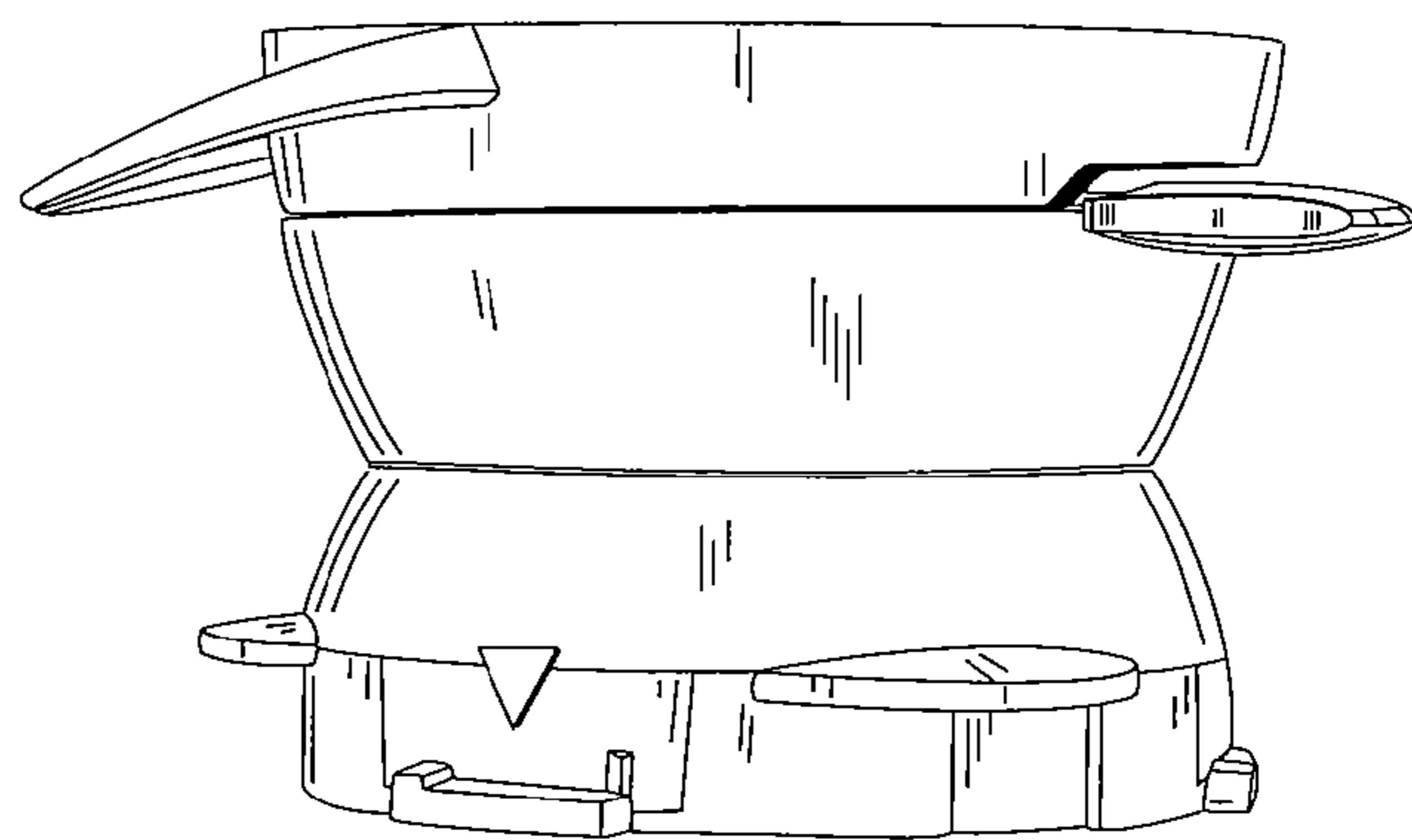


FIG. 6

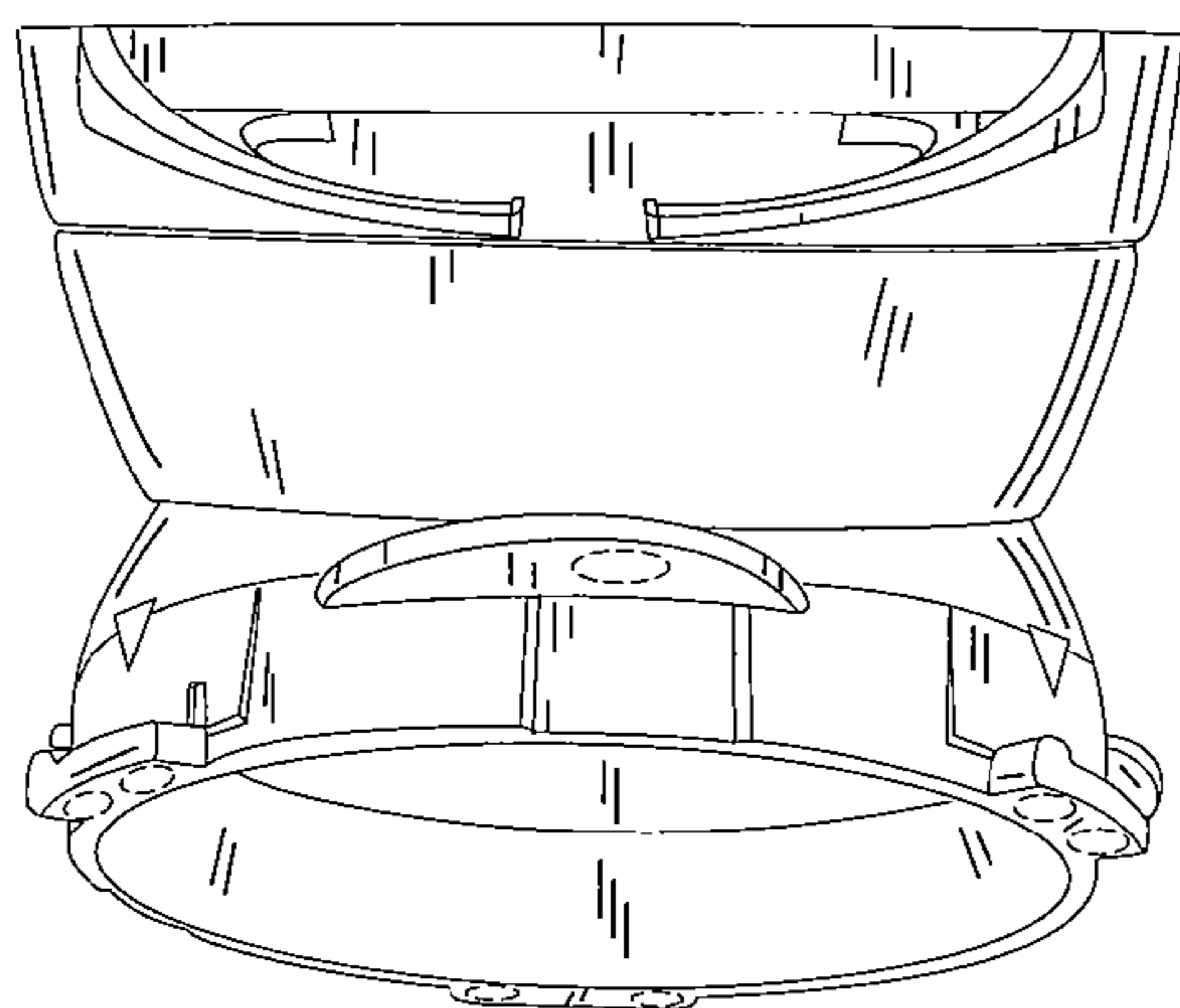


FIG. 7

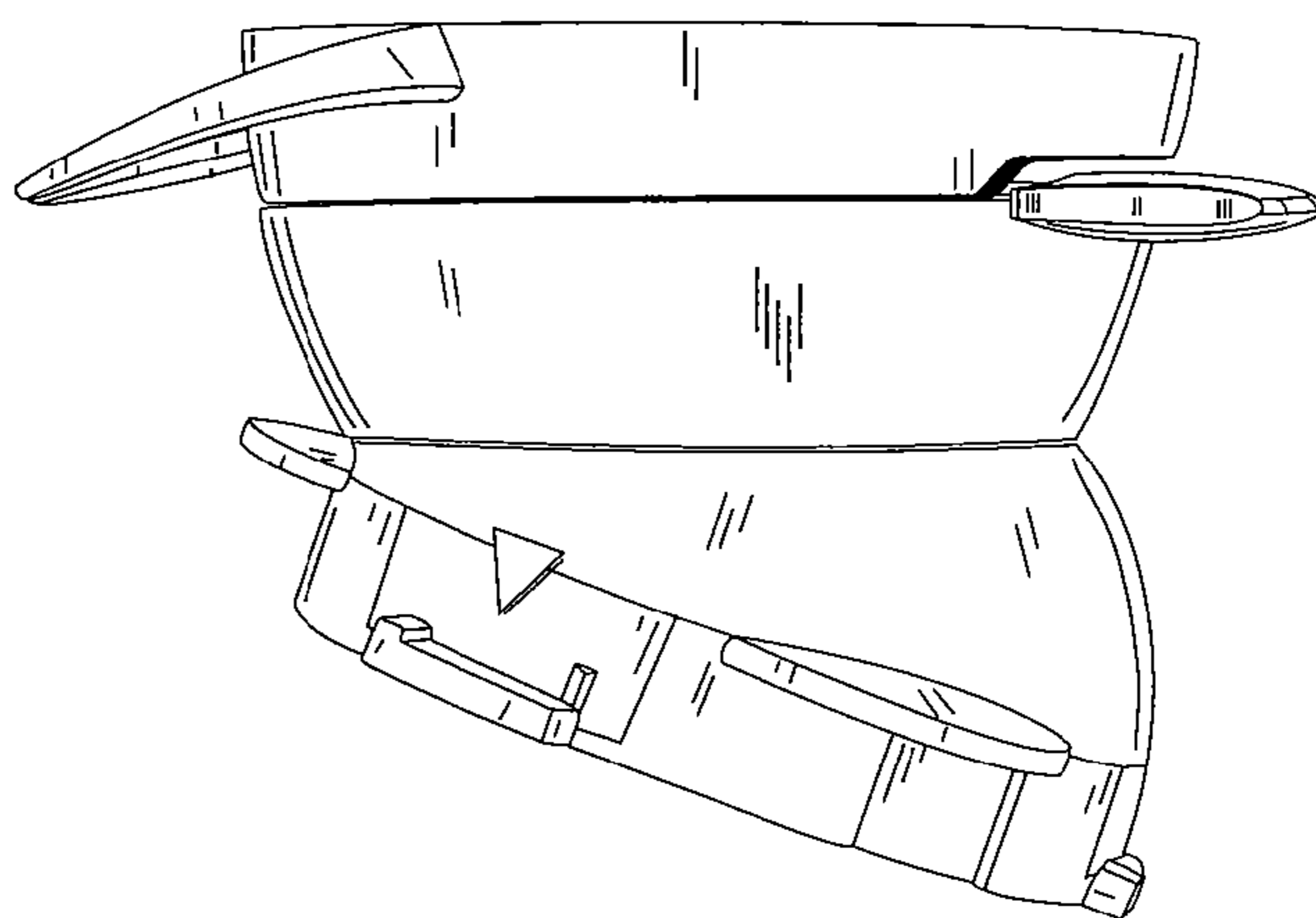


FIG. 8

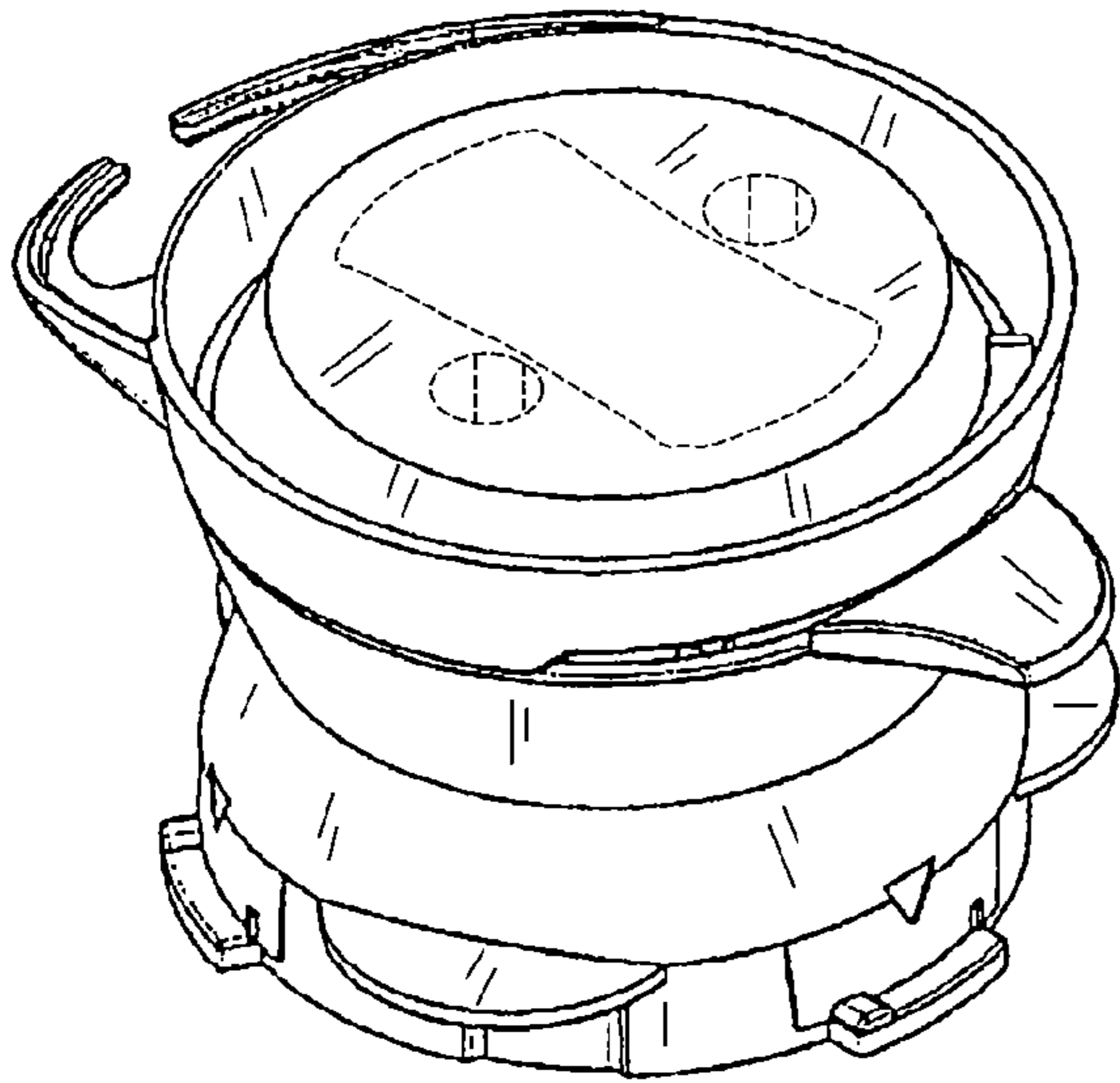


FIG. 9

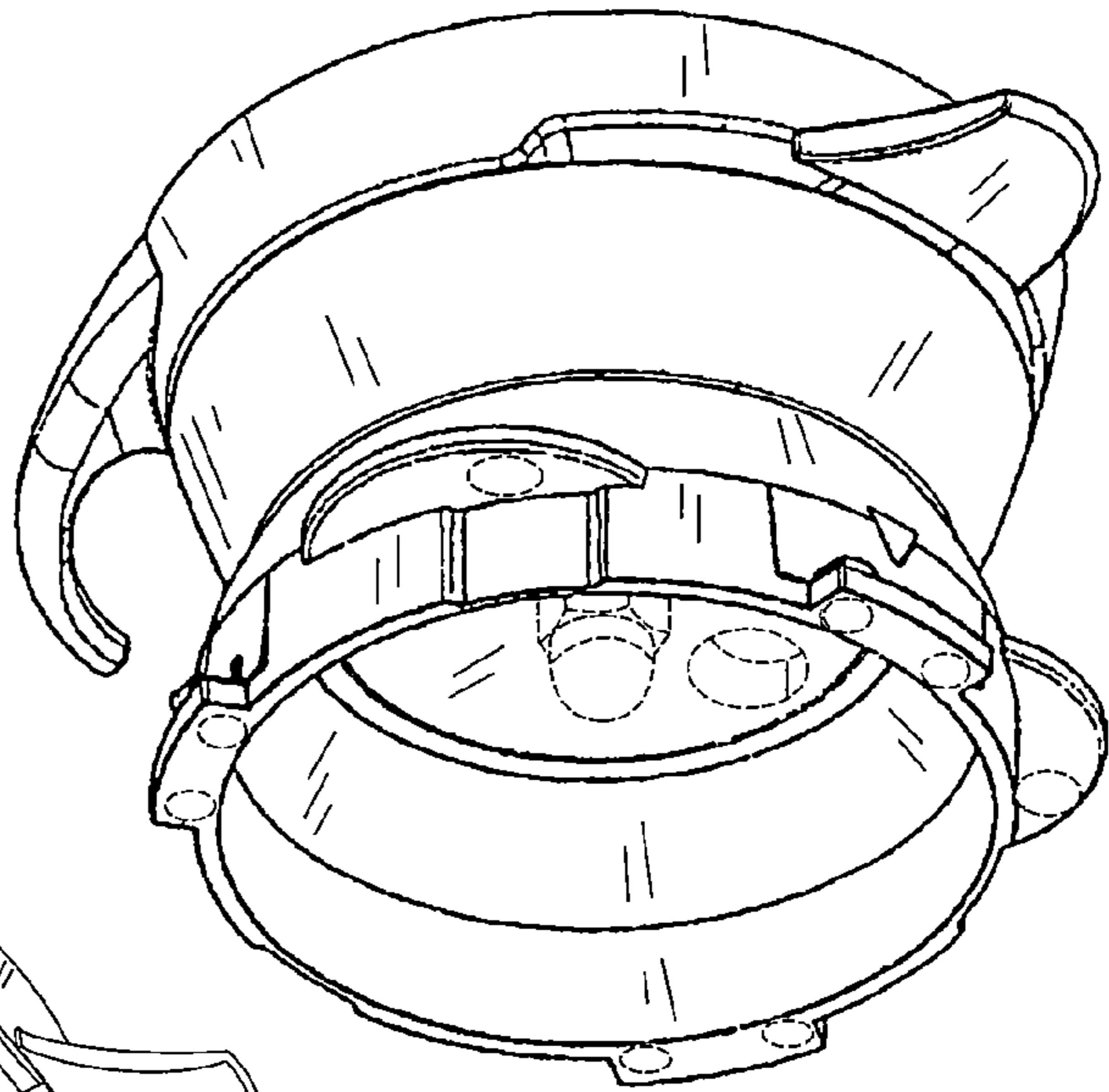


FIG. 10

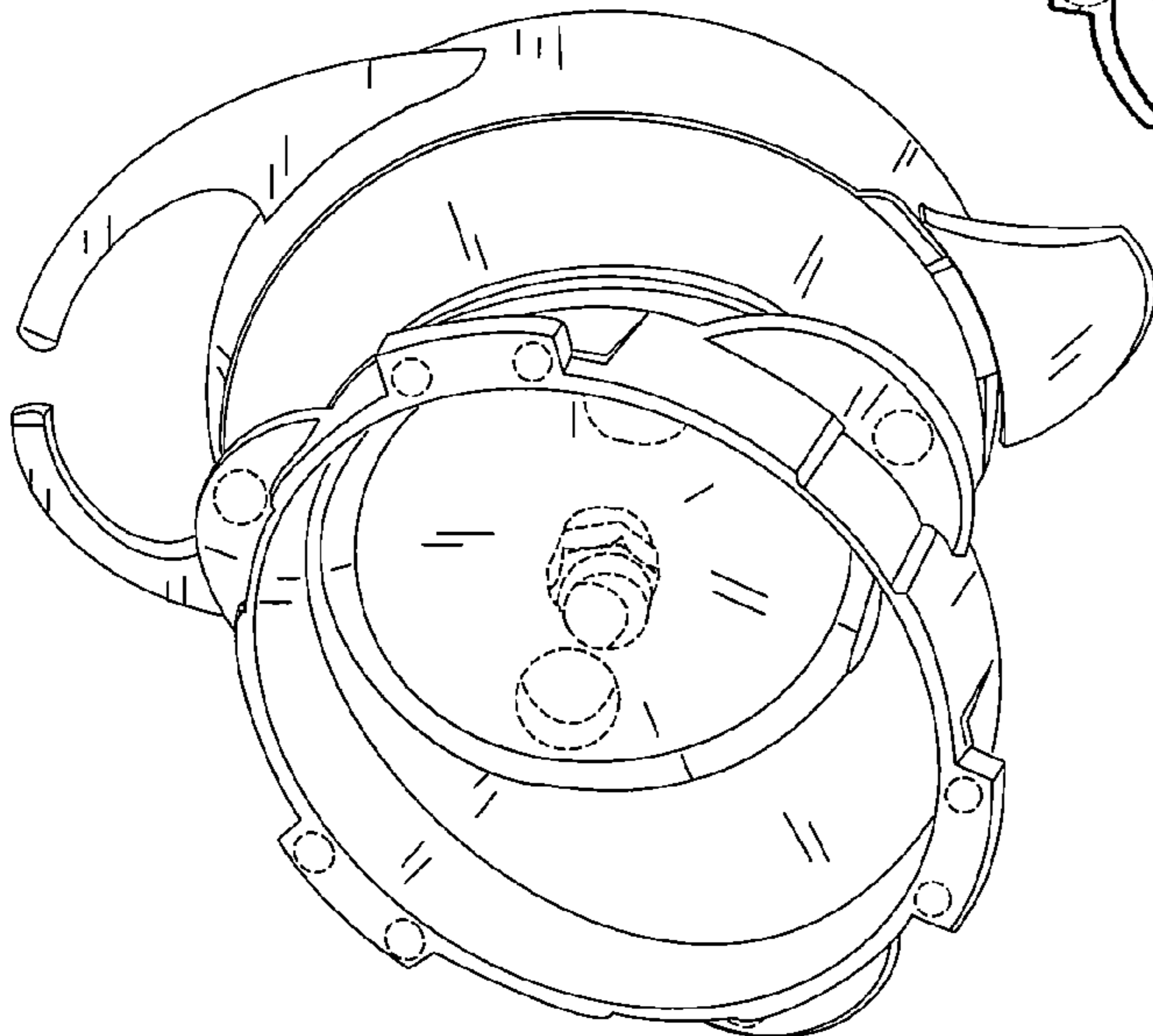


FIG. 11