

US00D575320S

(12) **United States Design Patent**
Nakajima

(10) **Patent No.:** **US D575,320 S**

(45) **Date of Patent:** **** Aug. 19, 2008**

(54) **PORTION OF A DIGITAL CAMERA**

(75) Inventor: **Kenzo Nakajima**, Hachioji (JP)

(73) Assignee: **Olympus Imaging Corp.**, Tokyo (JP)

(**) Term: **14 Years**

(21) Appl. No.: **29/292,107**

(22) Filed: **Sep. 26, 2007**

(30) **Foreign Application Priority Data**

Aug. 9, 2007 (JP) 2007-021711

(51) **LOC (8) Cl.** **16-05**

(52) **U.S. Cl.** **D16/219**

(58) **Field of Classification Search** D16/200–204,
D16/208, 212, 218, 219; 348/373–376; 358/909.1;
396/448, 535, 536–541

See application file for complete search history.

(56) **References Cited**

U.S. PATENT DOCUMENTS

D412,519 S *	8/1999	Omino et al.	D16/218
D415,508 S *	10/1999	Shinano	D16/202
D429,748 S *	8/2000	Hatakeyama	D16/219
D536,358 S *	2/2007	Hanafusa	D16/219
7,239,806 B2 *	7/2007	Chen	396/448
D558,251 S *	12/2007	Katayama	D16/219

D561,229 S * 2/2008 Sato D16/219

* cited by examiner

Primary Examiner—Adir Aronovich

(74) *Attorney, Agent, or Firm*—Straub and Pokotylo; John C. Pokotylo

(57) **CLAIM**

The ornamental design for a portion of a digital camera, as shown and described.

DESCRIPTION

FIG. 1 is a front, top and right side perspective view of a portion of a digital camera, showing my new design;

FIG. 2 is a front elevational view thereof;

FIG. 3 is a rear elevational view thereof;

FIG. 4 is a top plan view thereof;

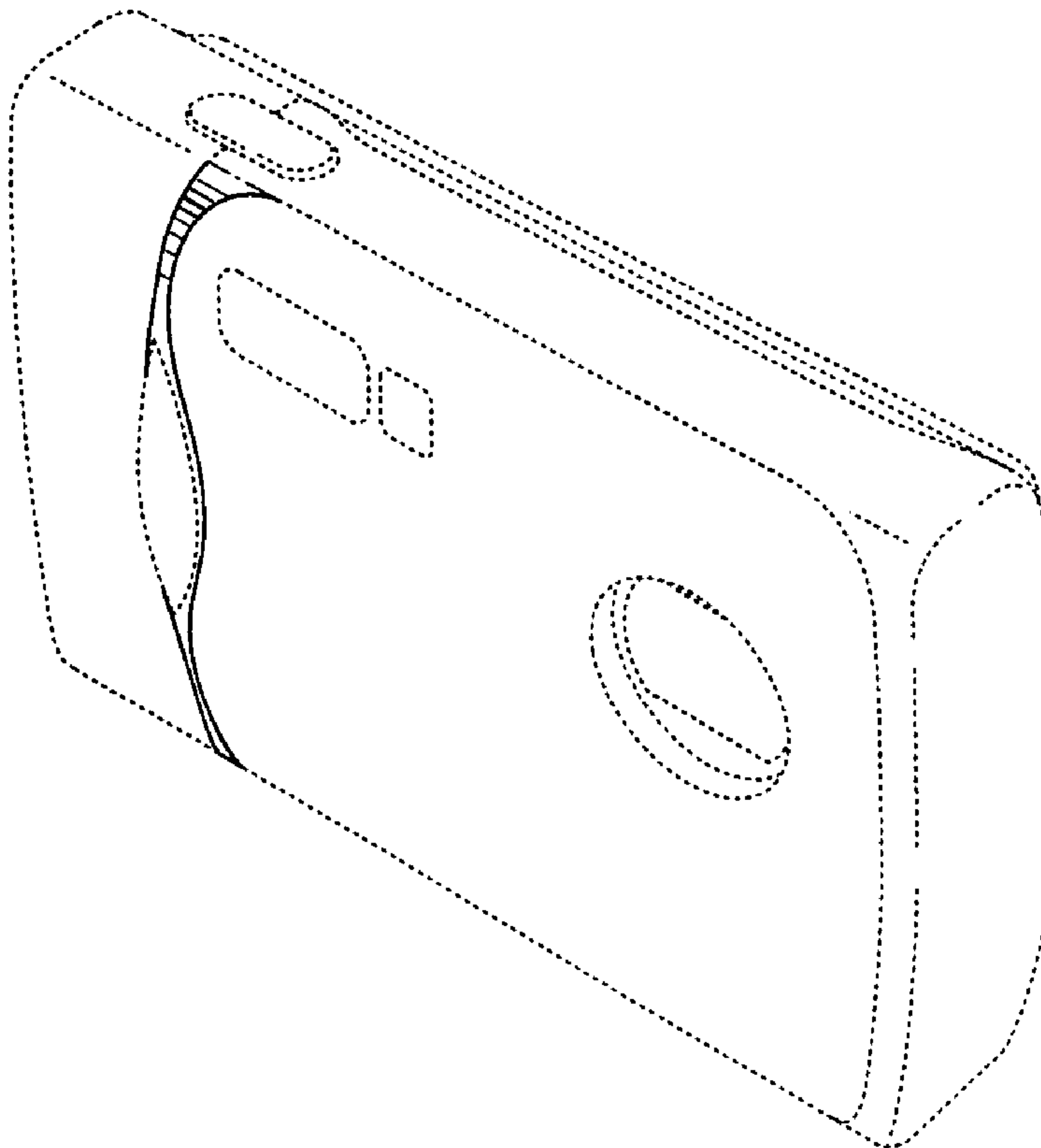
FIG. 5 is a bottom plan view thereof;

FIG. 6 is a left side elevational view thereof; and,

FIG. 7 is a right side elevational view thereof.

The dash and dotted lines immediately adjacent the shaded areas represent the bounds of the claimed design while all other broken lines are directed to environment and are for illustrative purposes only; the broken lines form no part of the claimed design.

1 Claim, 3 Drawing Sheets



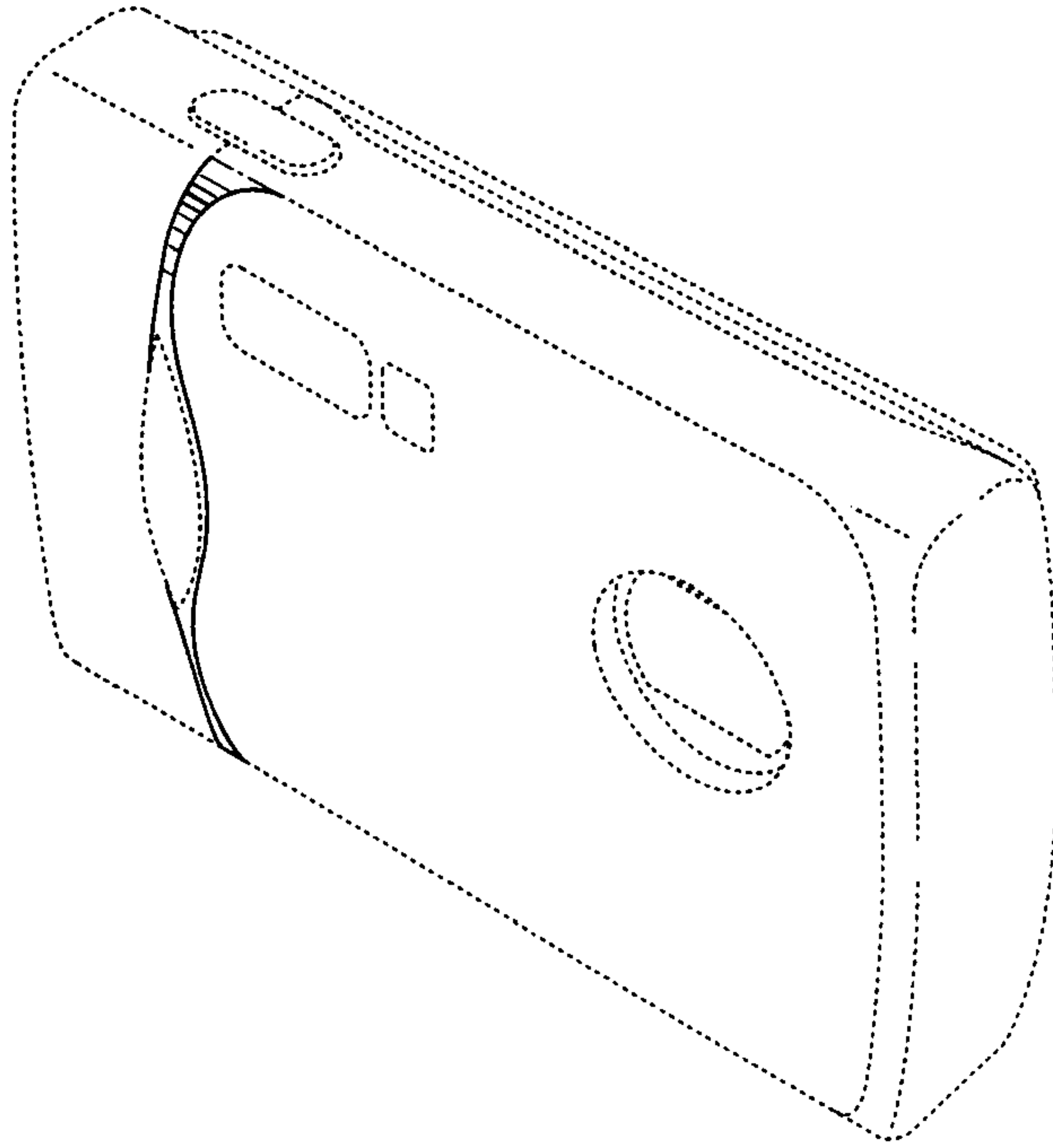


FIG. 1

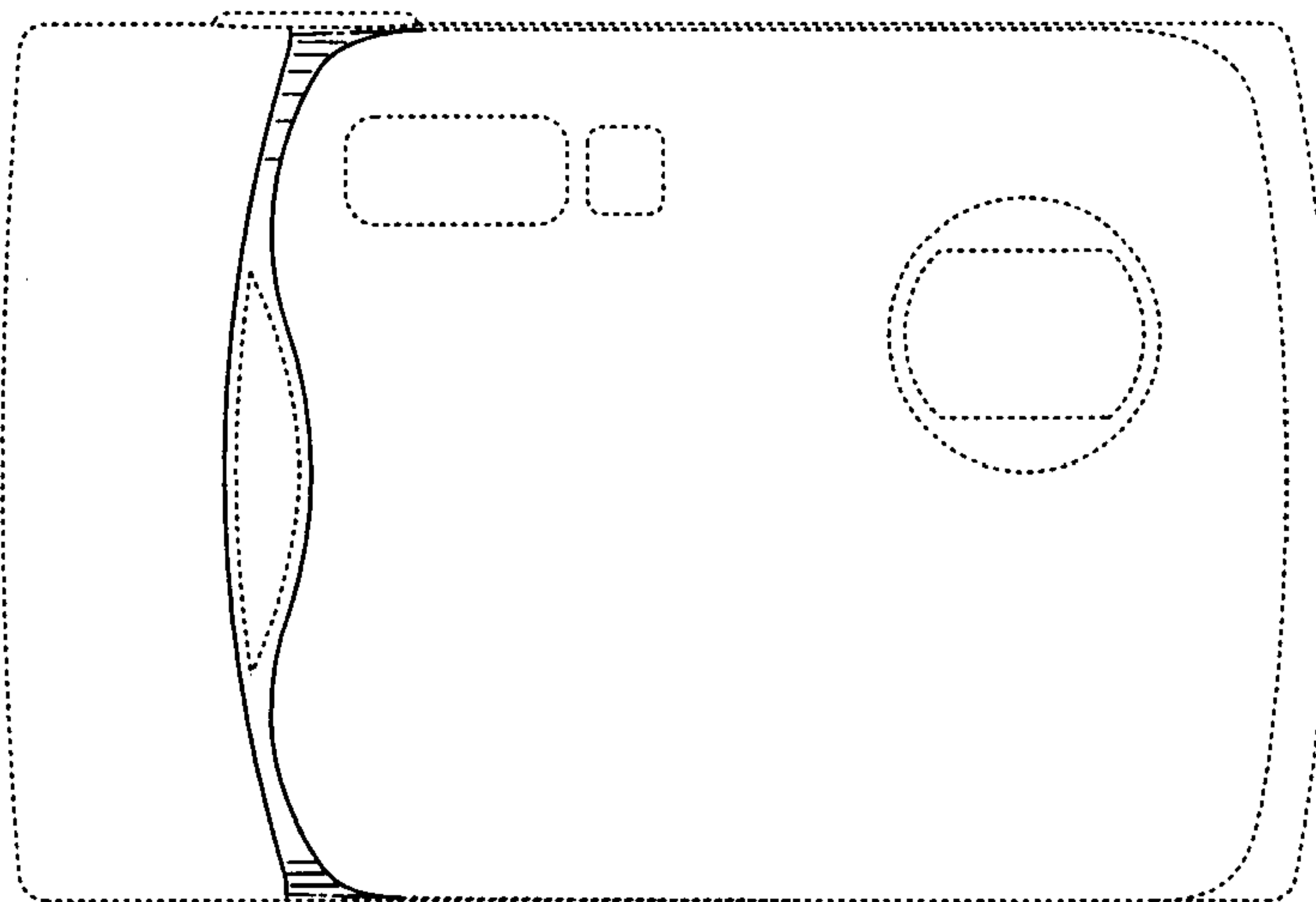


FIG. 2

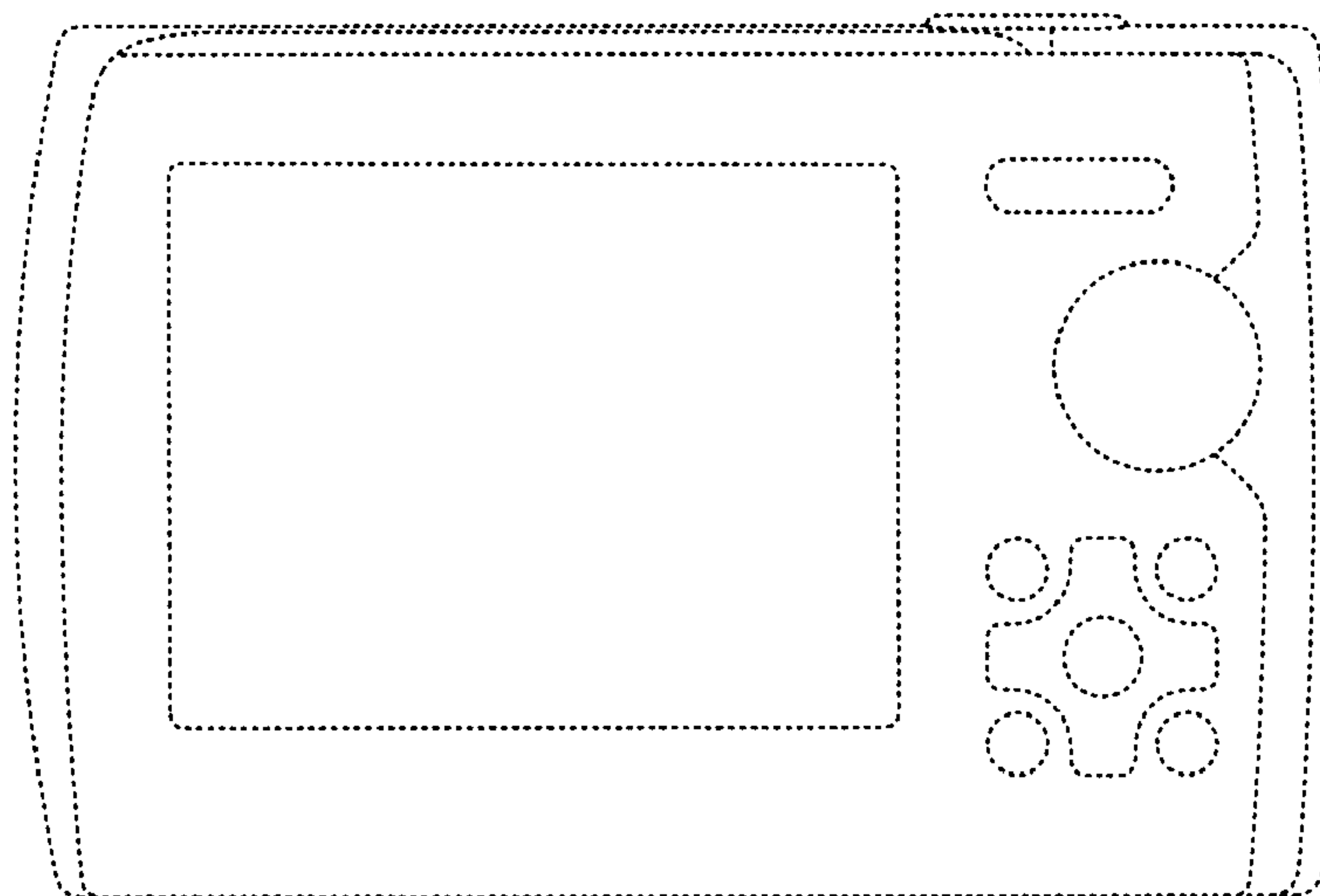


FIG.3

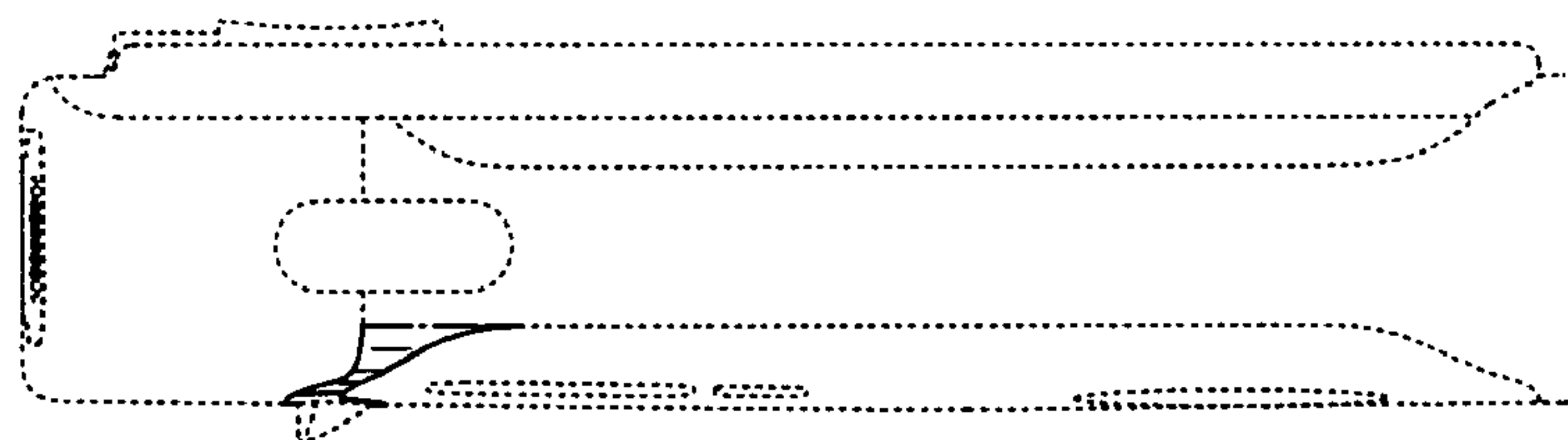


FIG.4

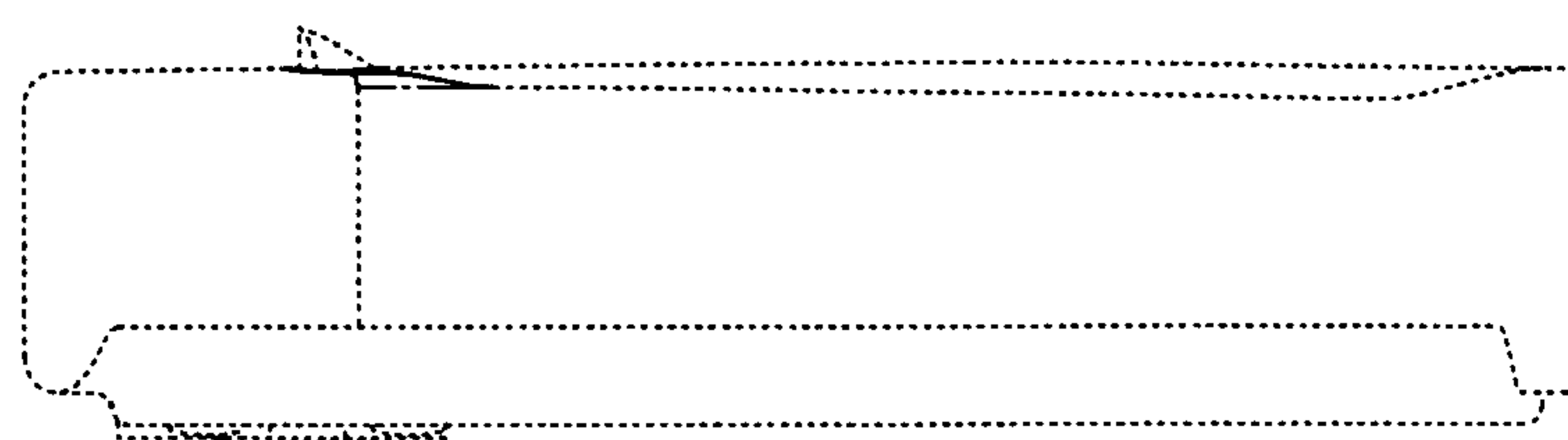


FIG.5

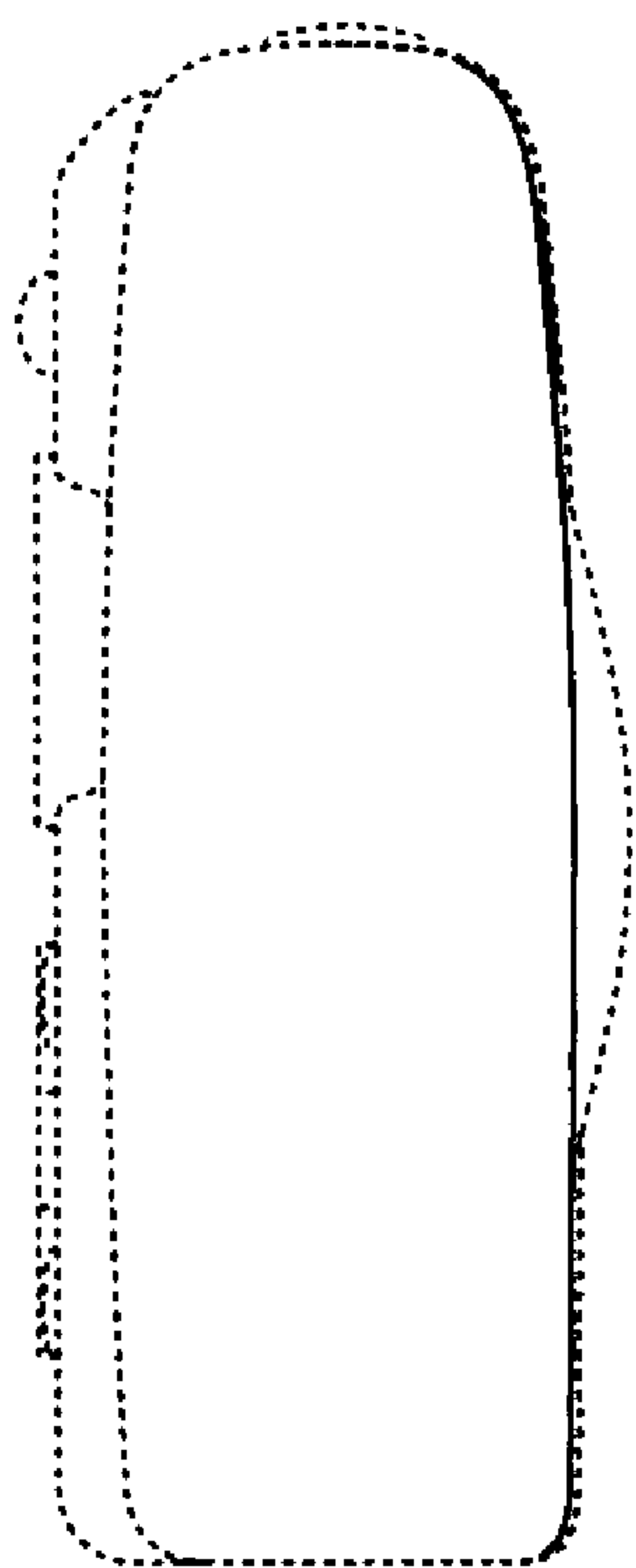


FIG. 6

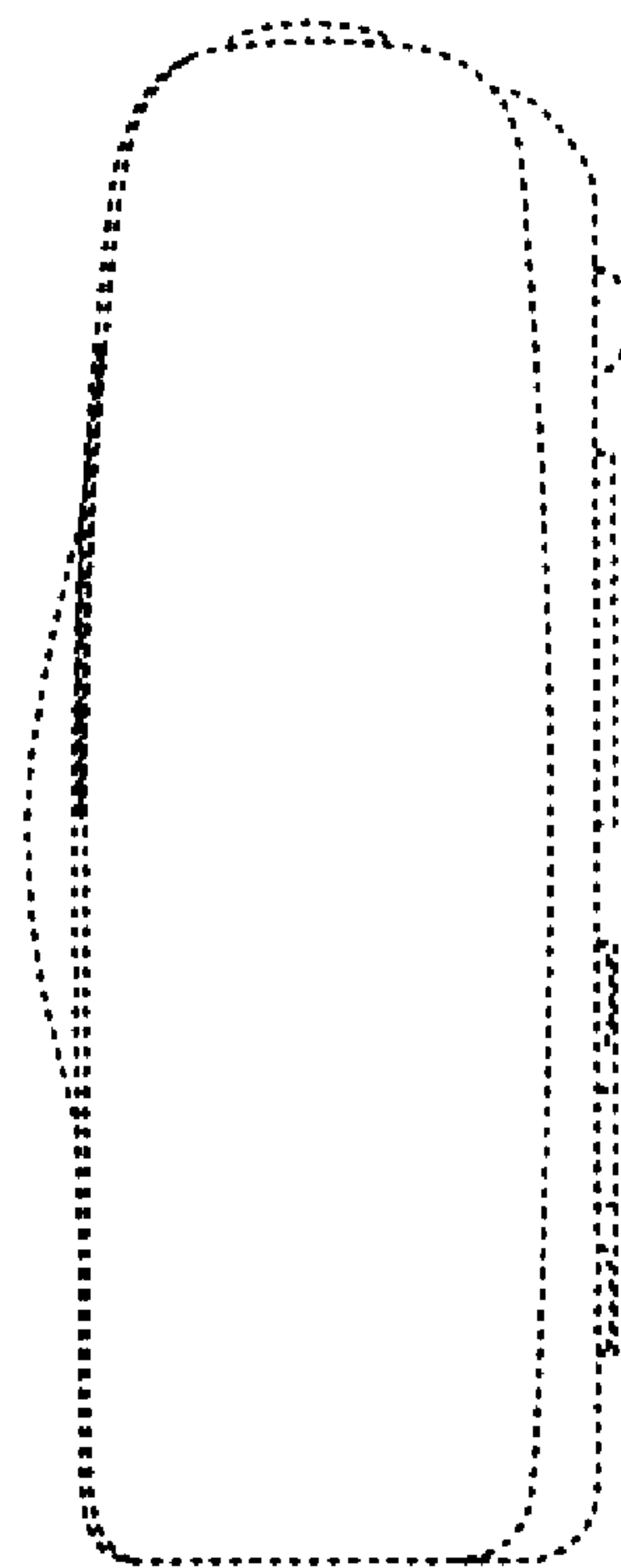


FIG. 7