



US00D575319S

(12) **United States Design Patent**
Tajima

(10) **Patent No.:** **US D575,319 S**

(45) **Date of Patent:** **** Aug. 19, 2008**

(54) **CAMERA LENS**

(75) Inventor: **Kenji Tajima**, Machida (JP)

(73) Assignee: **Olympus Imaging Corp.**, Tokyo (JP)

(**) Term: **14 Years**

(21) Appl. No.: **29/291,007**

(22) Filed: **Aug. 10, 2007**

(30) **Foreign Application Priority Data**

Jun. 22, 2006 (JP) 2006-016243
Jun. 22, 2006 (JP) 2006-016245

(51) **LOC (8) Cl.** **16-05**

(52) **U.S. Cl.** **D16/219; D16/134**

(58) **Field of Classification Search** D16/134,
D16/136; 348/373-376; 359/815, 819, 826-828;
396/529-541, 544

See application file for complete search history.

(56) **References Cited**

U.S. PATENT DOCUMENTS

D248,766 S * 8/1978 Arai D16/134
D337,776 S * 7/1993 Takahashi D16/134
D375,969 S * 11/1996 Watanabe D16/134
D390,857 S * 2/1998 Hayamizu D16/134
D412,922 S * 8/1999 Sekine D16/134
D420,029 S * 2/2000 Kimura et al. D16/134
D425,088 S * 5/2000 Watanabe D16/134

D441,382 S * 5/2001 Konno et al. D16/134
D449,322 S * 10/2001 Ono et al. D16/134
6,738,570 B2 * 5/2004 Shinohara et al. 396/530
6,937,819 B2 * 8/2005 Brough 396/544
D552,147 S * 10/2007 Tajima D16/134
2007/0166028 A1 * 7/2007 Kranz et al. 396/529

* cited by examiner

Primary Examiner—Ian Simmons

Assistant Examiner—Wan Laymon

(74) *Attorney, Agent, or Firm*—Straub and Pokotylo; John C. Pokotylo

(57) **CLAIM**

The ornamental design for a camera lens, as shown and described.

DESCRIPTION

FIG. 1 is a front, top and right side perspective view of a camera lens showing my new design;

FIG. 2 is a front elevational view thereof;

FIG. 3 is a rear elevational view thereof;

FIG. 4 is a top plan view thereof;

FIG. 5 is a bottom plan view thereof;

FIG. 6 is a right side elevational view thereof; and,

FIG. 7 is a left side elevational view thereof.

The broken lines in the Figures are for illustrative purposes only and form no part of the claimed design.

1 Claim, 4 Drawing Sheets

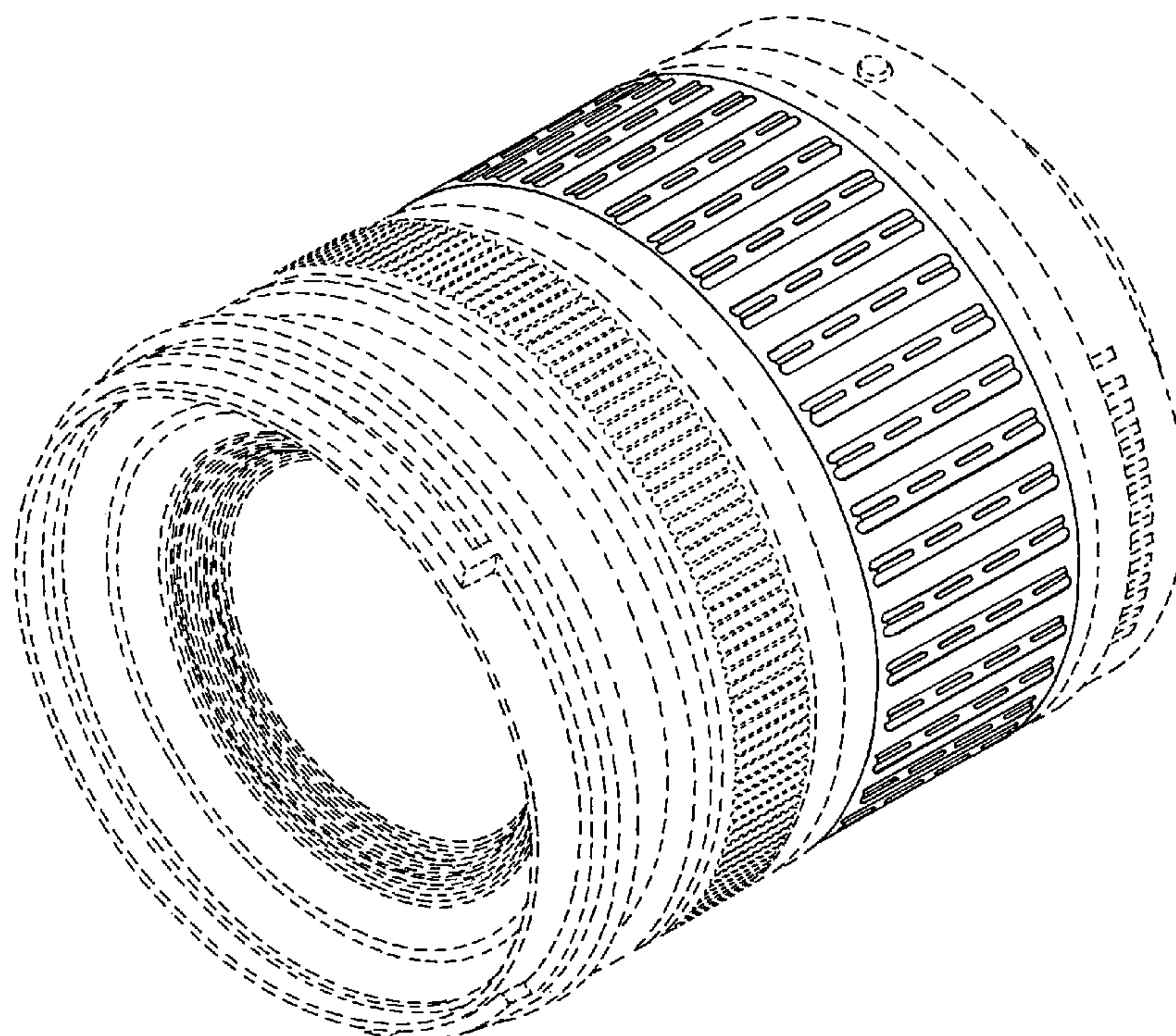


FIG. 1

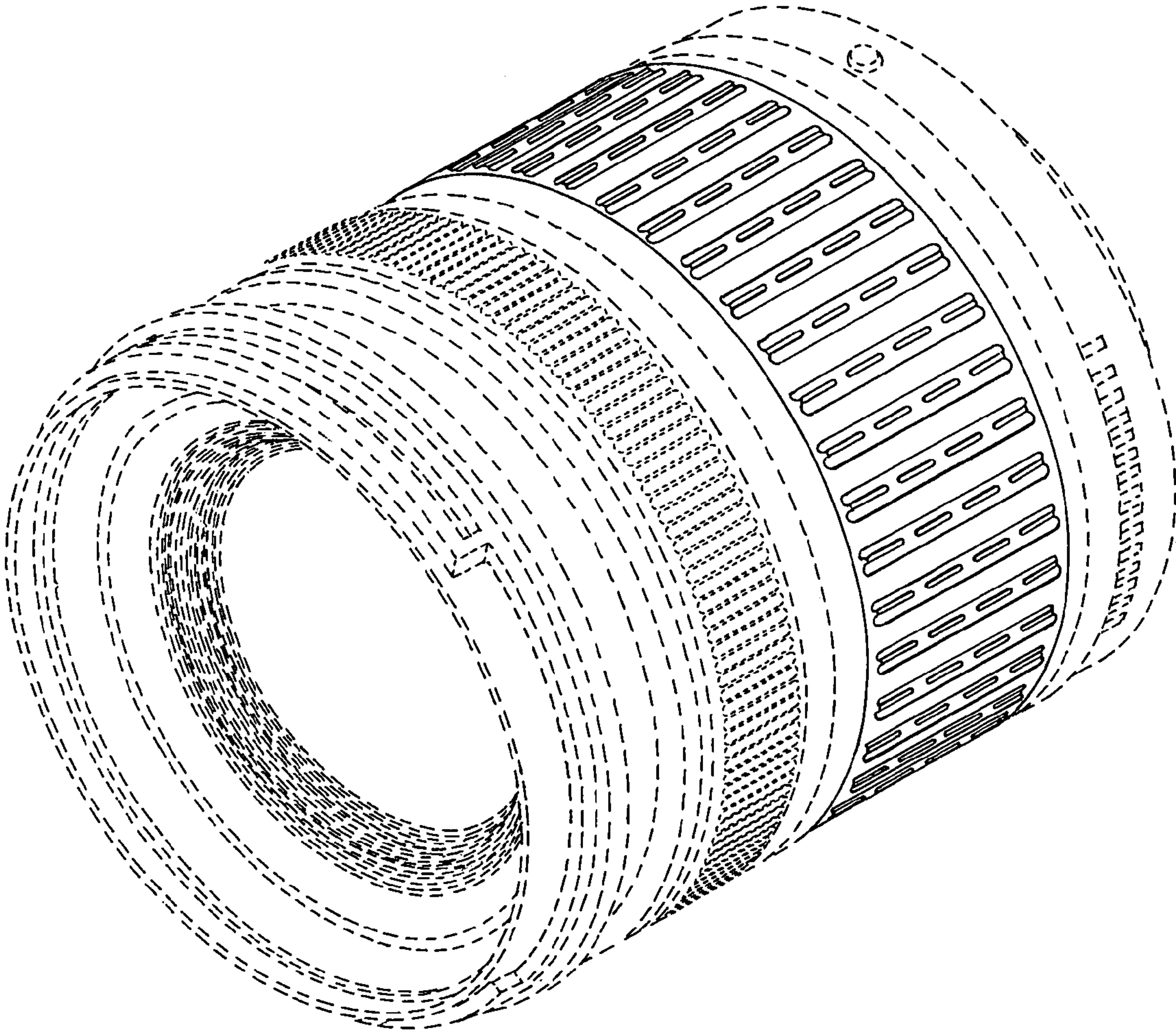


FIG.2

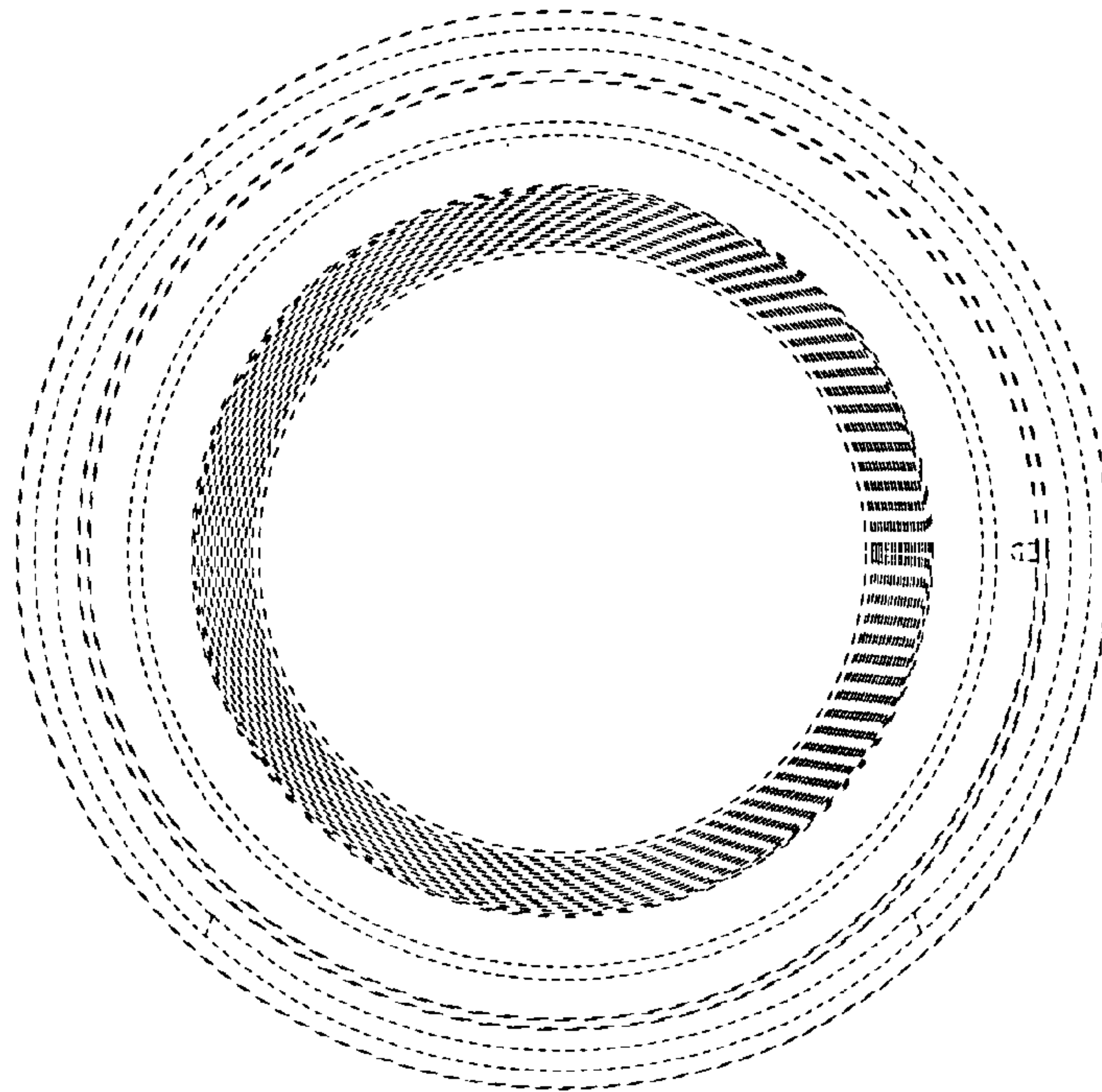


FIG.3

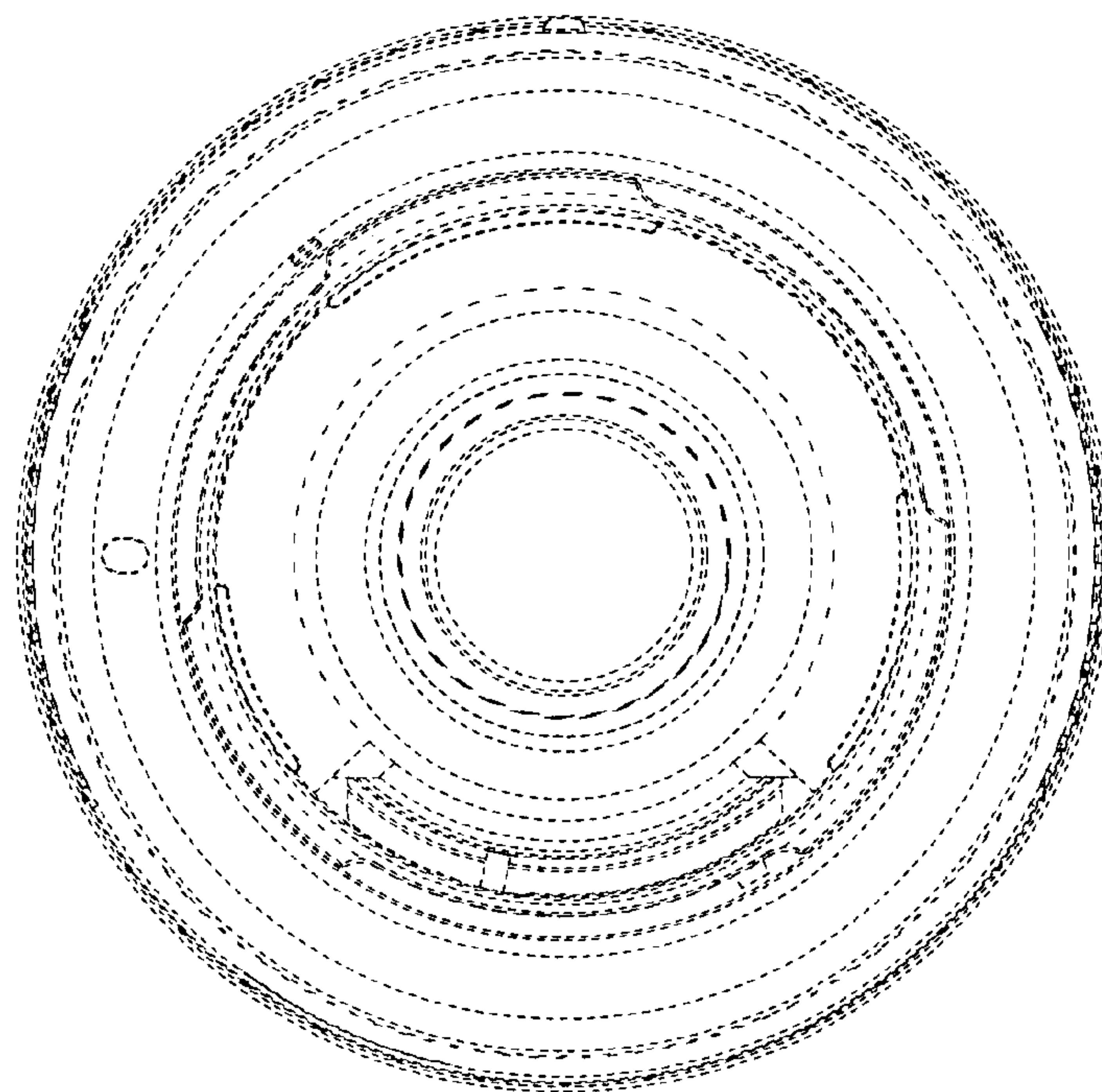


FIG.4

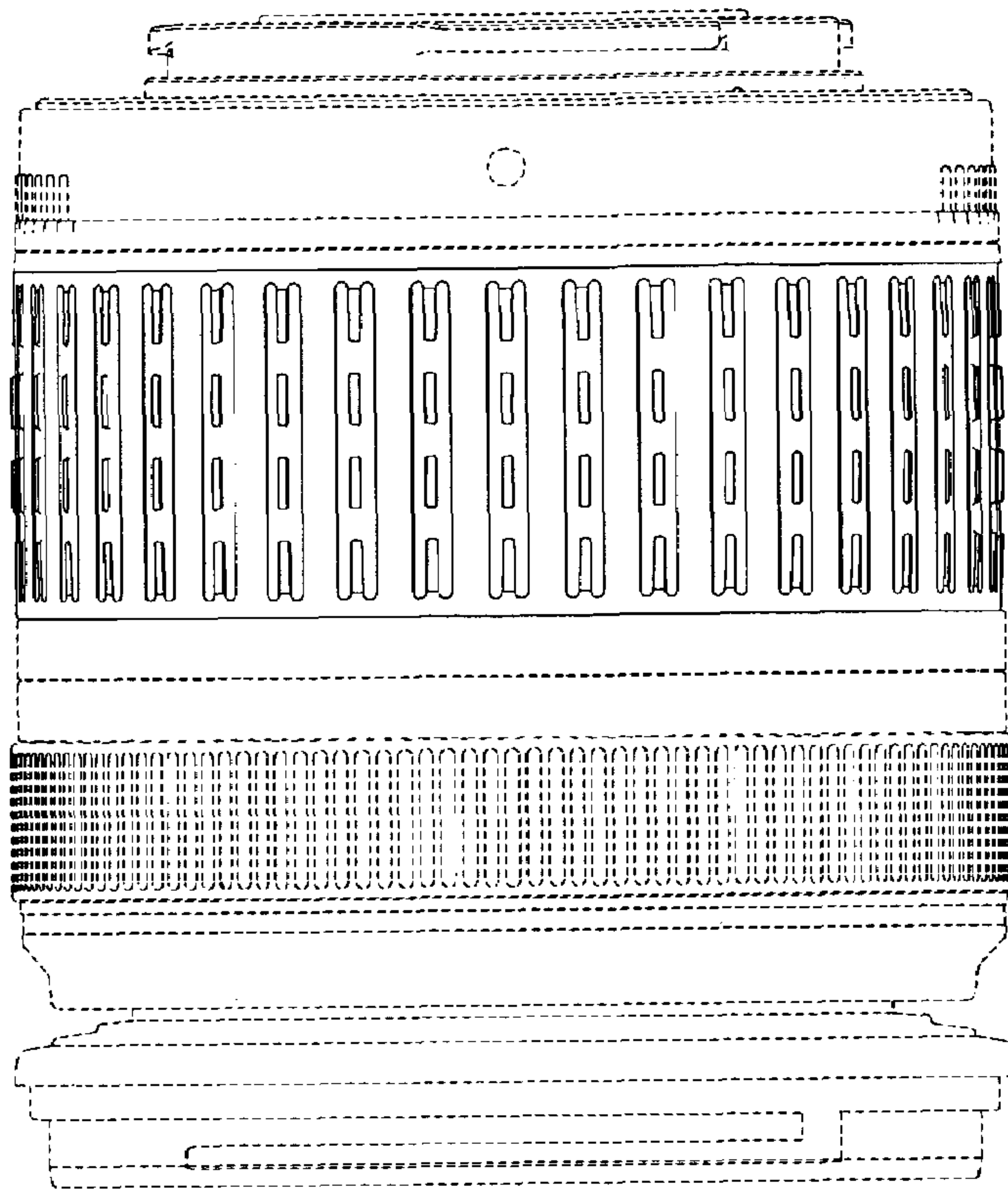


FIG.5

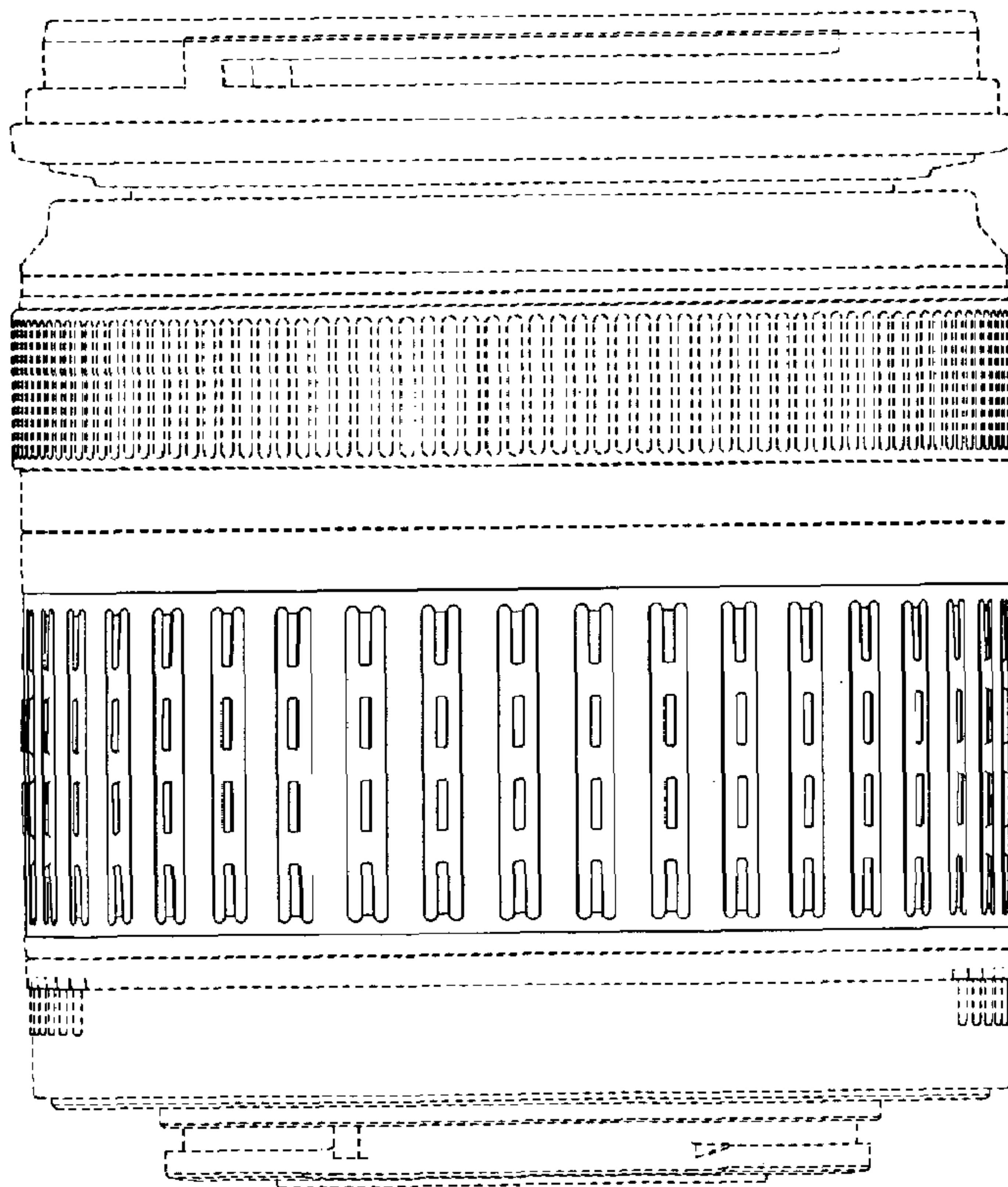


FIG.6

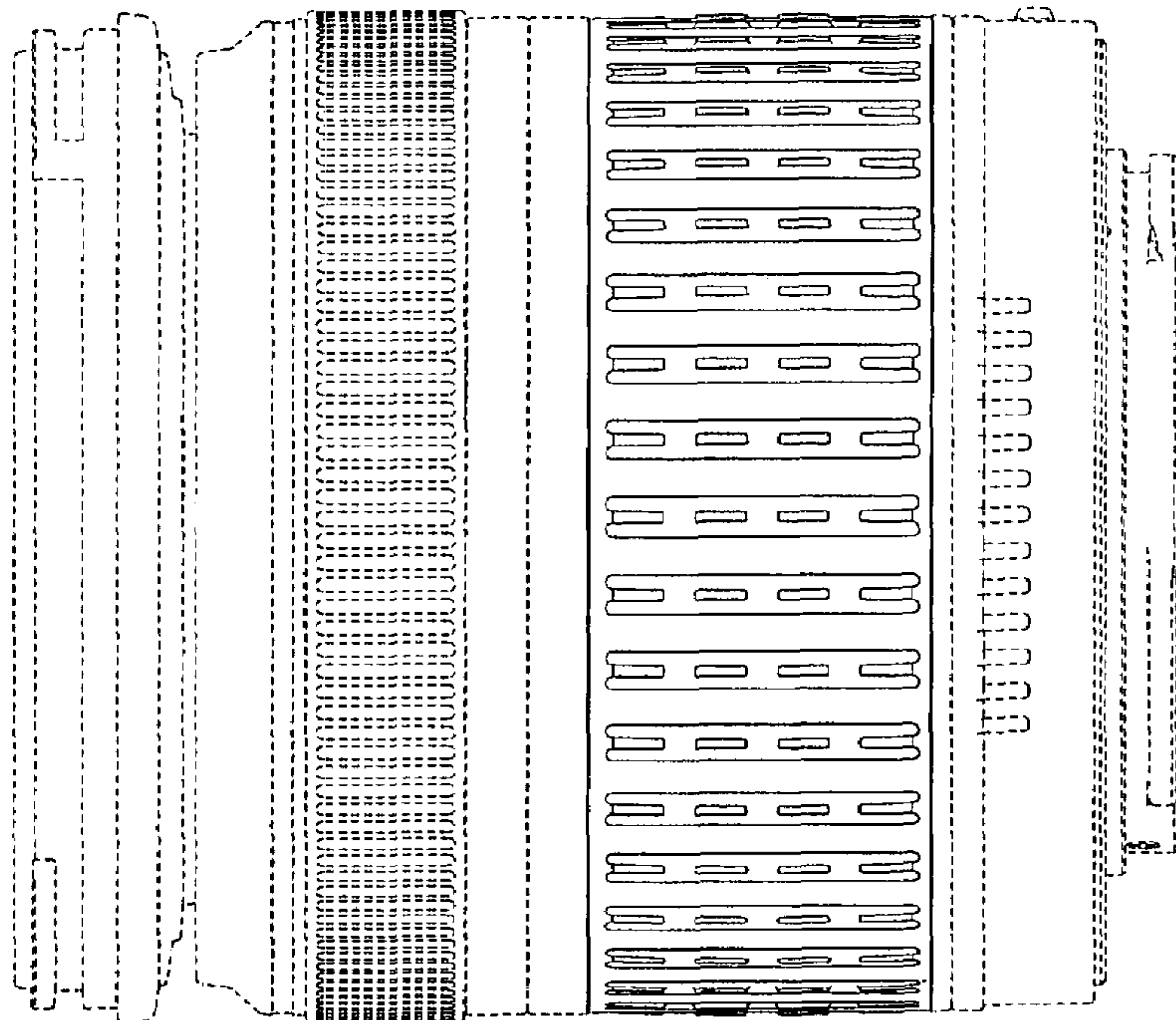


FIG.7

