



US00D575318S

(12) **United States Design Patent**
Dean

(10) **Patent No.:** **US D575,318 S**

(45) **Date of Patent:** **** Aug. 19, 2008**

(54) **VEHICLE CAMERA FRAME**

(75) Inventor: **Justin Dean**, Darlington (AU)

(73) Assignee: **Zorg Industries, Pty Ltd.** (AU)

(**) Term: **14 Years**

(21) Appl. No.: **29/277,476**

(22) Filed: **Feb. 27, 2007**

(51) **LOC (8) Cl.** **16-01**

(52) **U.S. Cl.** **D16/203**

(58) **Field of Classification Search** D16/200–206,
D16/208–209, 219; D12/400; 396/427,
396/535–541, 433, 419, 933, 937; 340/937,
340/435–436, 901, 438; 348/143, 373–376,
348/151, 118, 140, 142, 148–149; 358/909.1
See application file for complete search history.

(56) **References Cited**

U.S. PATENT DOCUMENTS

4,214,266	A *	7/1980	Myers	348/140
5,574,443	A *	11/1996	Hsieh	340/901
6,538,827	B2 *	3/2003	Bos	359/740
6,717,610	B1 *	4/2004	Bos et al.	348/148
6,757,109	B2 *	6/2004	Bos	359/753
6,819,231	B2 *	11/2004	Berberich et al.	340/435

D535,676	S *	1/2007	Dayan	D16/218
7,245,207	B1 *	7/2007	Dayan et al.	340/435
7,265,656	B2 *	9/2007	McMahon et al.	340/435
2006/0061655	A1 *	3/2006	Wang	348/148
2007/0182817	A1 *	8/2007	Briggance	348/118

* cited by examiner

Primary Examiner—Ian Simmons

Assistant Examiner—Wan Laymon

(74) *Attorney, Agent, or Firm*—McAndrews, Held & Malloy, Ltd.

(57) **CLAIM**

The ornamental design for a vehicle camera frame, as shown and described.

DESCRIPTION

FIG. 1 is a front elevational view of a vehicle frame camera showing I new design;

FIG. 2 is a rear elevation view thereof;

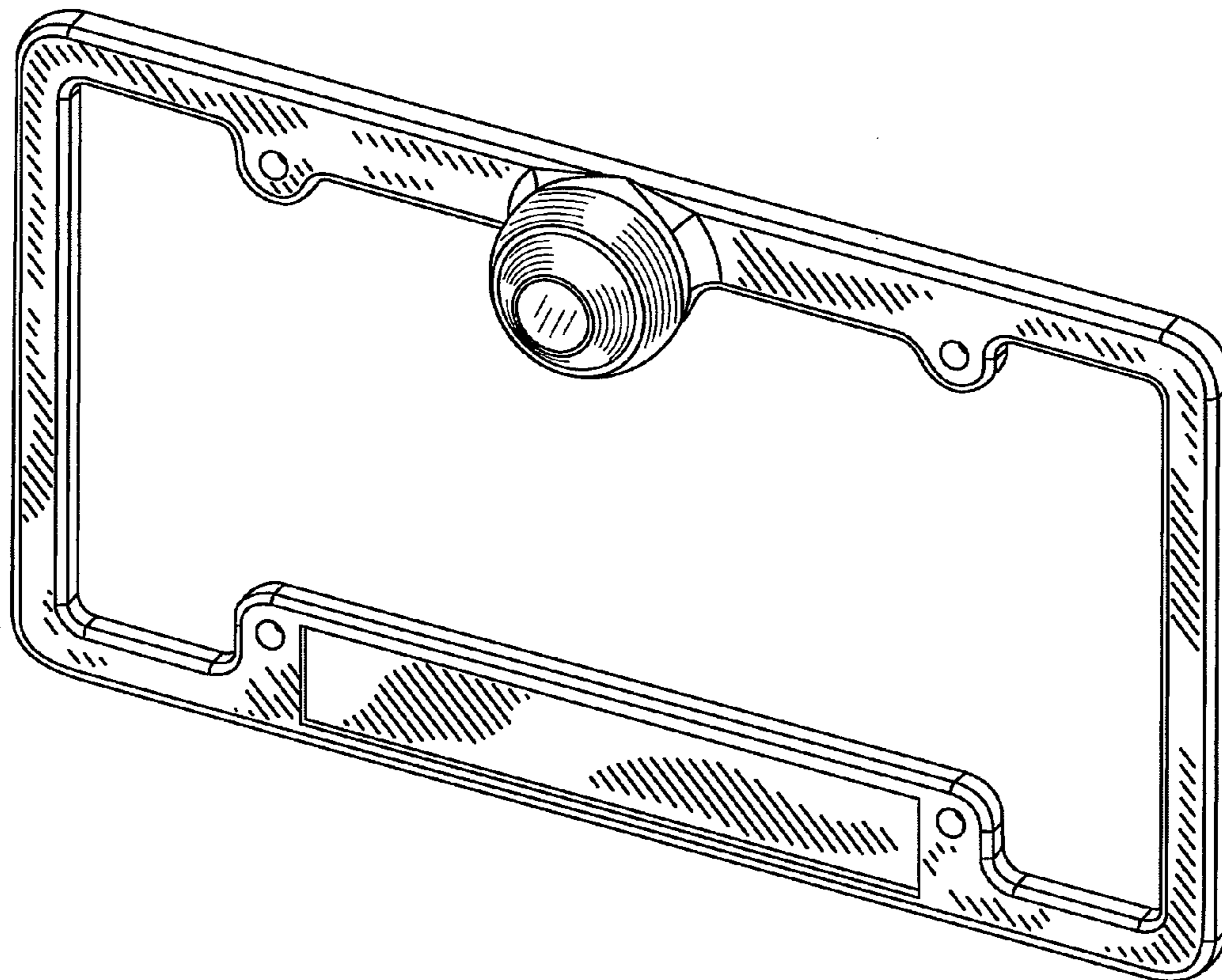
FIG. 3 is a perspective view thereof;

FIG. 4 is a top plan view thereof;

FIG. 5 is a bottom plan view thereof; and,

FIG. 6 is a right side elevational view thereof, the left side elevational view being a mirror image thereof.

1 Claim, 6 Drawing Sheets



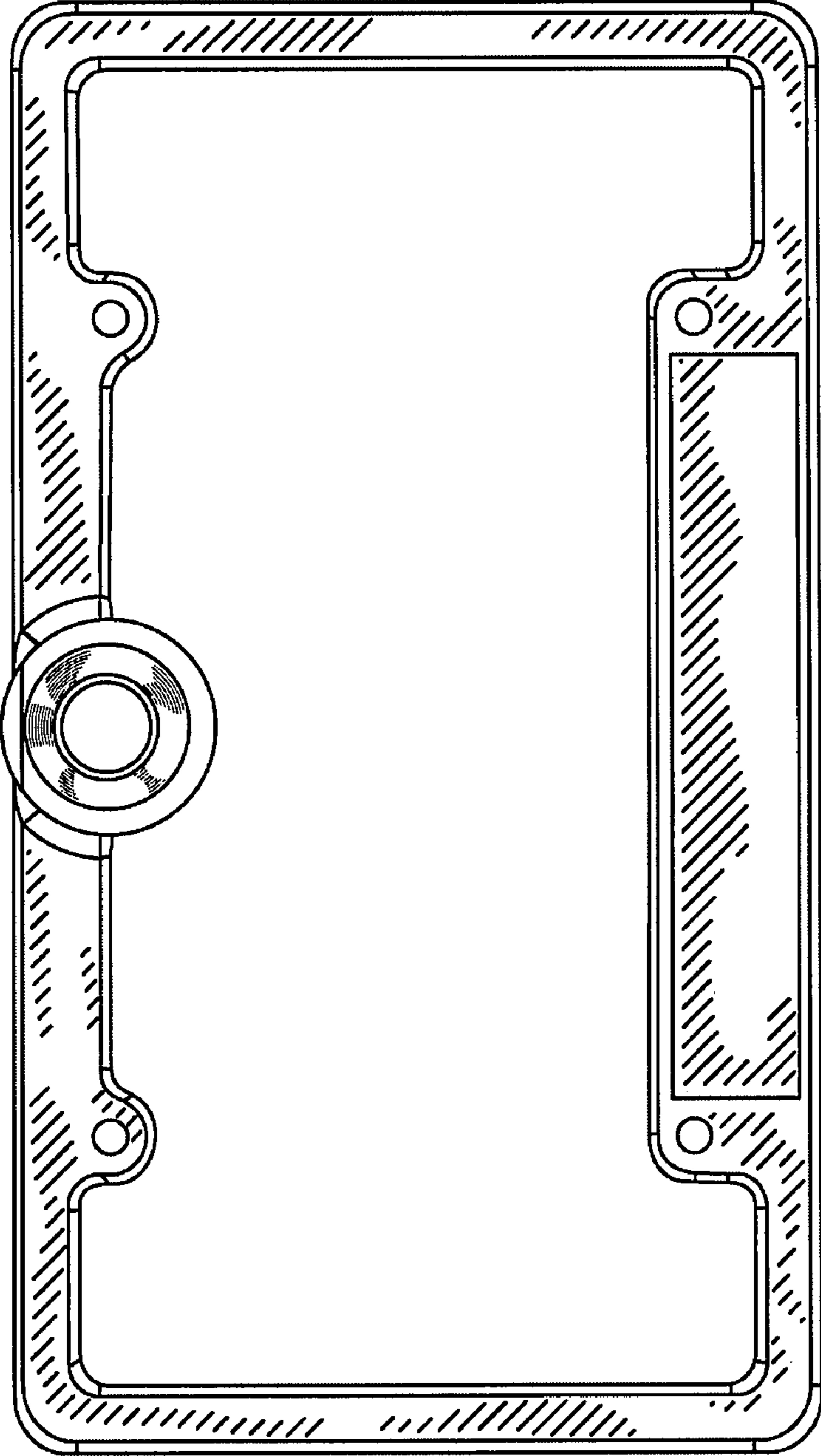


FIG. 1

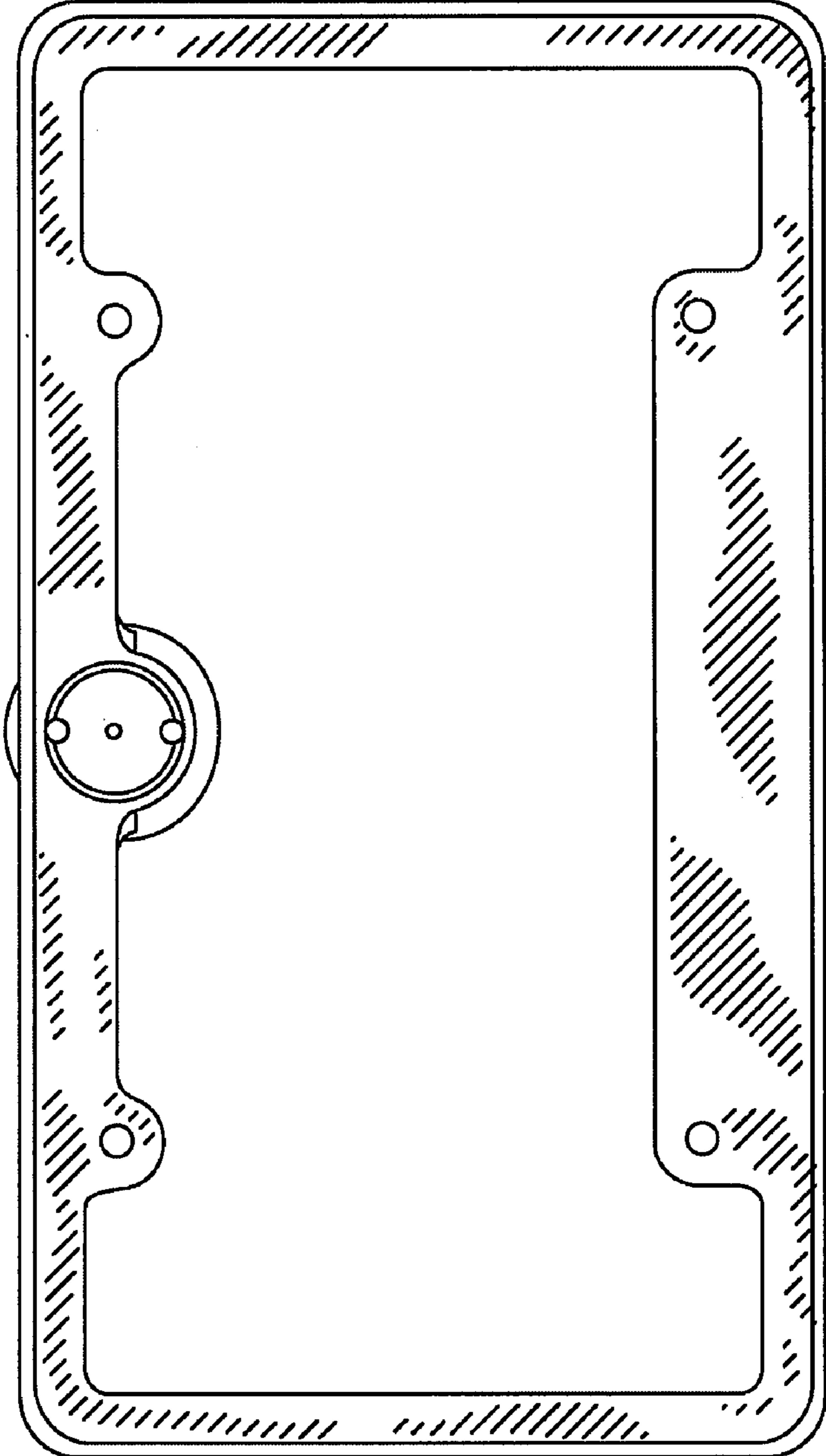


FIG. 2

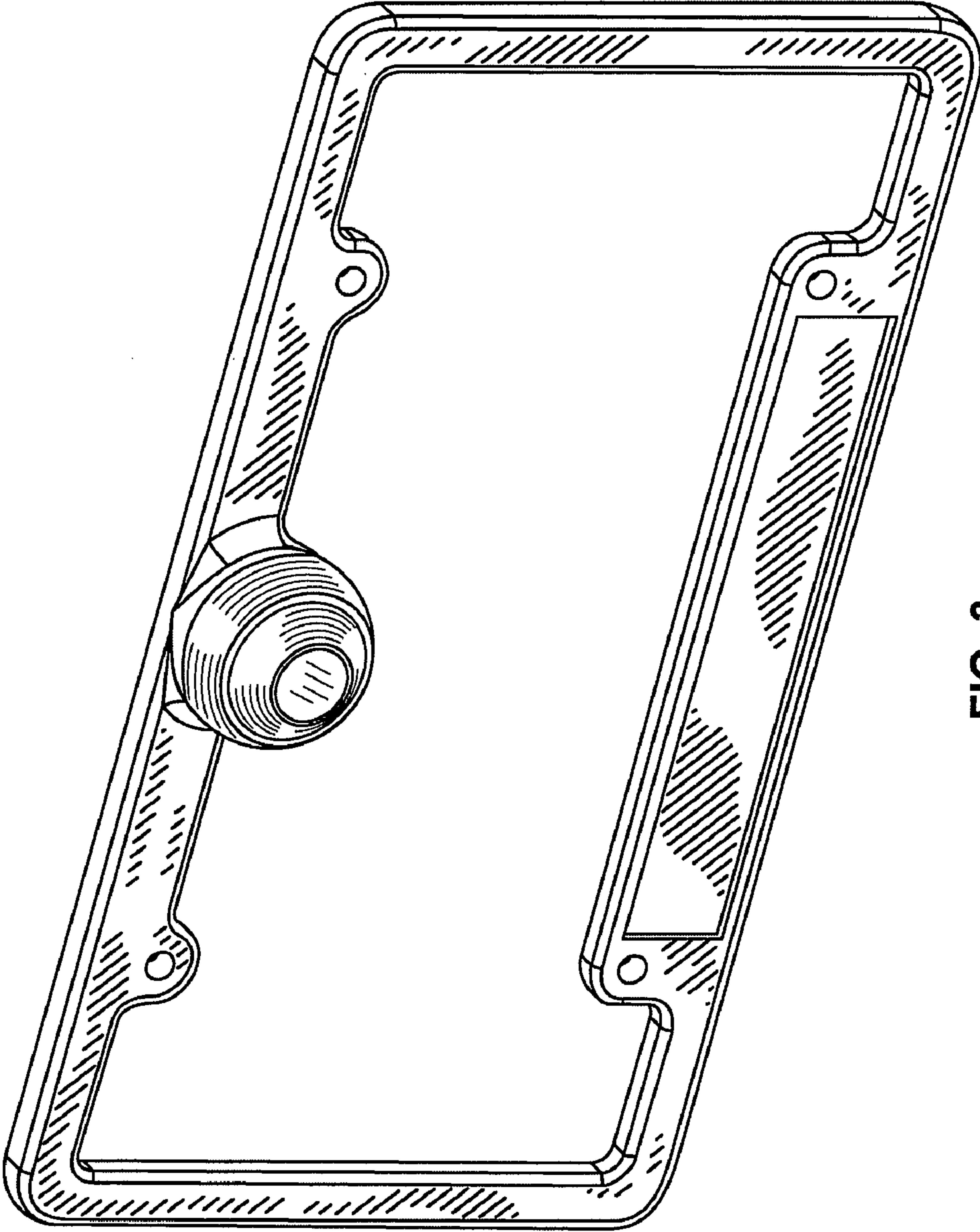


FIG. 3

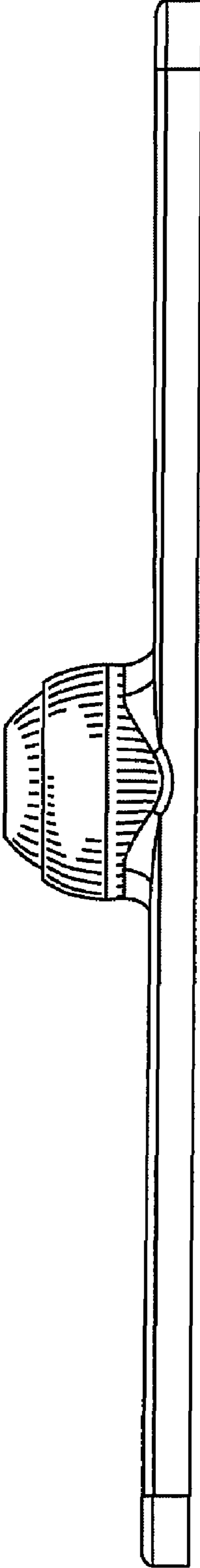


FIG. 4

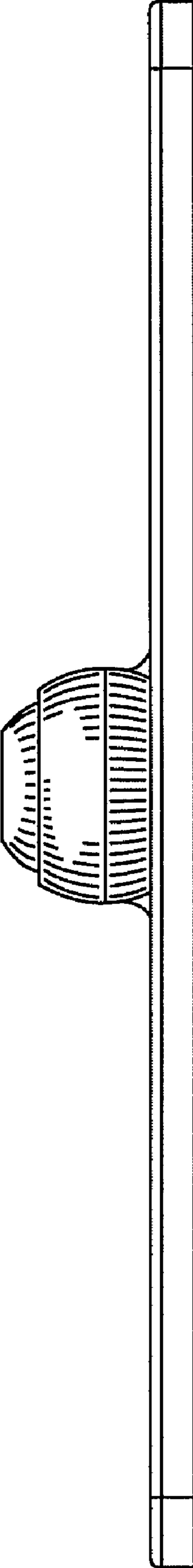


FIG. 5

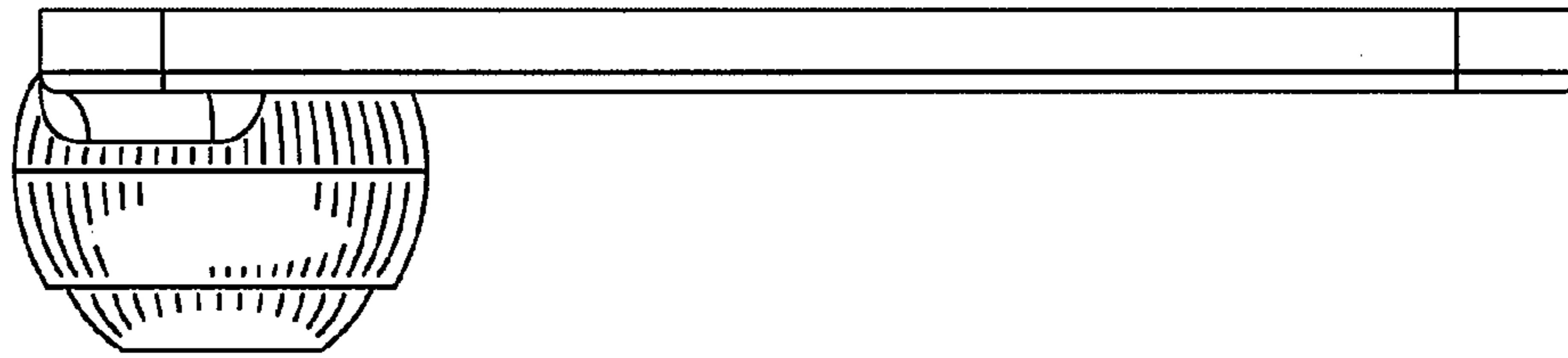


FIG. 6