



US00D575317S

(12) **United States Design Patent**
Hayashi et al.

(10) **Patent No.:** **US D575,317 S**

(45) **Date of Patent:** **** Aug. 19, 2008**

(54) **VIDEO CAMERA WITH VIDEO TAPE RECORDER**

(75) Inventors: **Eiichiro Hayashi**, Kanagawa (JP);
Kaoru Toyoguchi, Kanagawa (JP)

(73) Assignee: **Victor Company of Japan, Limited**,
Yokohama-shi, Kanagawa (JP)

(**) Term: **14 Years**

(21) Appl. No.: **29/295,840**

(22) Filed: **Oct. 9, 2007**

(30) **Foreign Application Priority Data**

Apr. 9, 2007 (JP) 2007-009341

(51) **LOC (8) Cl.** **16-01**

(52) **U.S. Cl.** **D16/202**

(58) **Field of Classification Search** D16/200–205,
D16/208, 218; 348/373–376; 358/906; 396/535–541
See application file for complete search history.

(56) **References Cited**

U.S. PATENT DOCUMENTS

5,499,052 A * 3/1996 Nakanishi et al. 348/373
D423,541 S * 4/2000 Ohwada D16/202
D445,816 S * 7/2001 Tanaka D16/203

D500,776 S * 1/2005 Miyashita D16/202
D532,805 S * 11/2006 Masano et al. D16/202
D533,206 S * 12/2006 Kim D16/202
D544,514 S * 6/2007 Tanifuji et al. D16/202
D561,800 S * 2/2008 Sadatsuki D16/202

* cited by examiner

Primary Examiner—Adir Aronovich

(74) *Attorney, Agent, or Firm*—Osha Liang LLP

(57) **CLAIM**

The ornamental design for a video camera with video tape recorder, as shown and described.

DESCRIPTION

FIG. 1 is a front, top and right side perspective view of a video camera with video tape recorder showing our new design;

FIG. 2 is a front elevational view thereof;

FIG. 3 is a rear elevational view thereof;

FIG. 4 is a top plan view thereof;

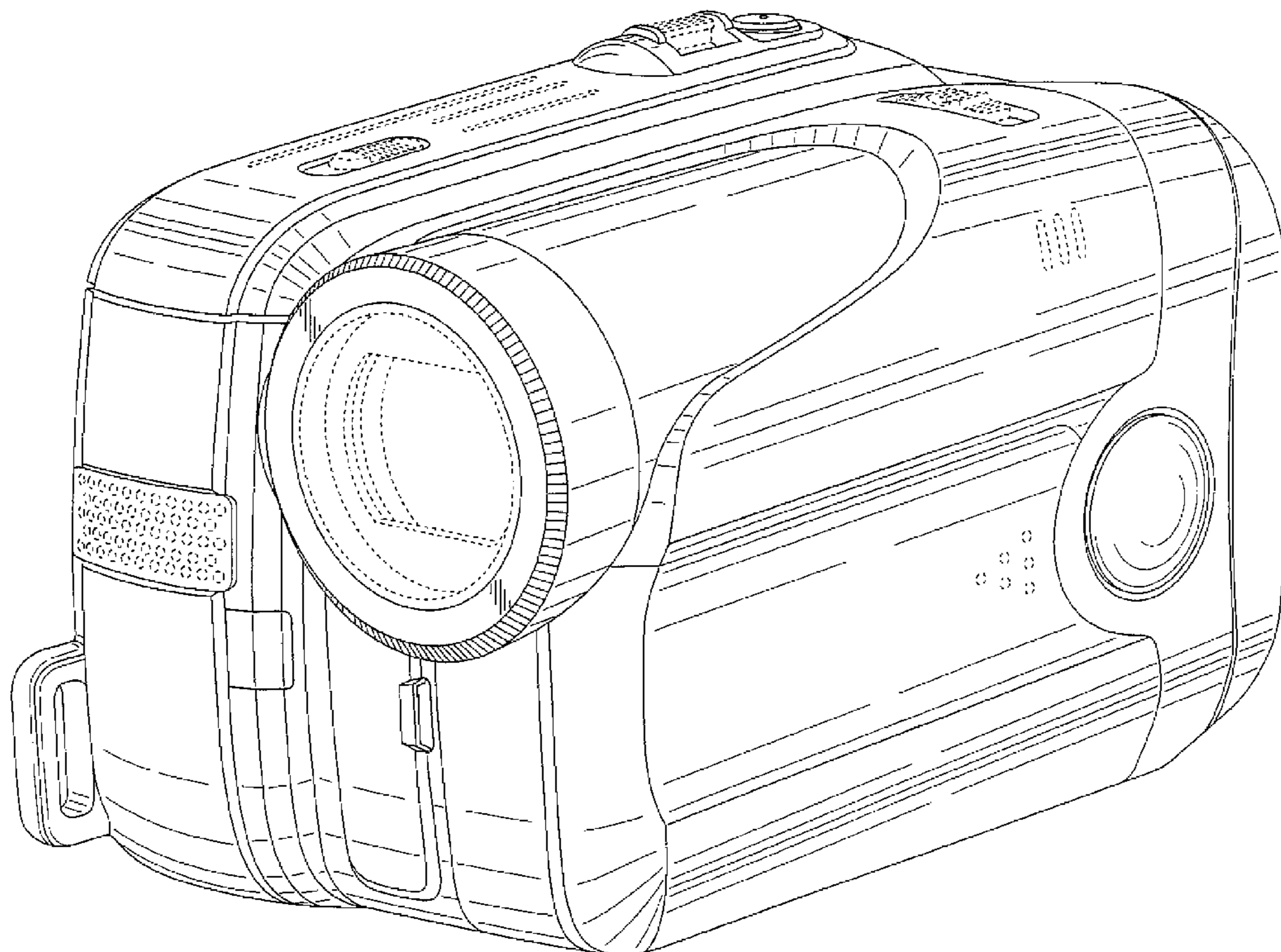
FIG. 5 is a bottom view thereof;

FIG. 6 is a left side elevational view thereof; and,

FIG. 7 is a right side elevational view thereof.

The elements shown in broken lines are for illustrative purposes only and form no part of the claimed design.

1 Claim, 7 Drawing Sheets



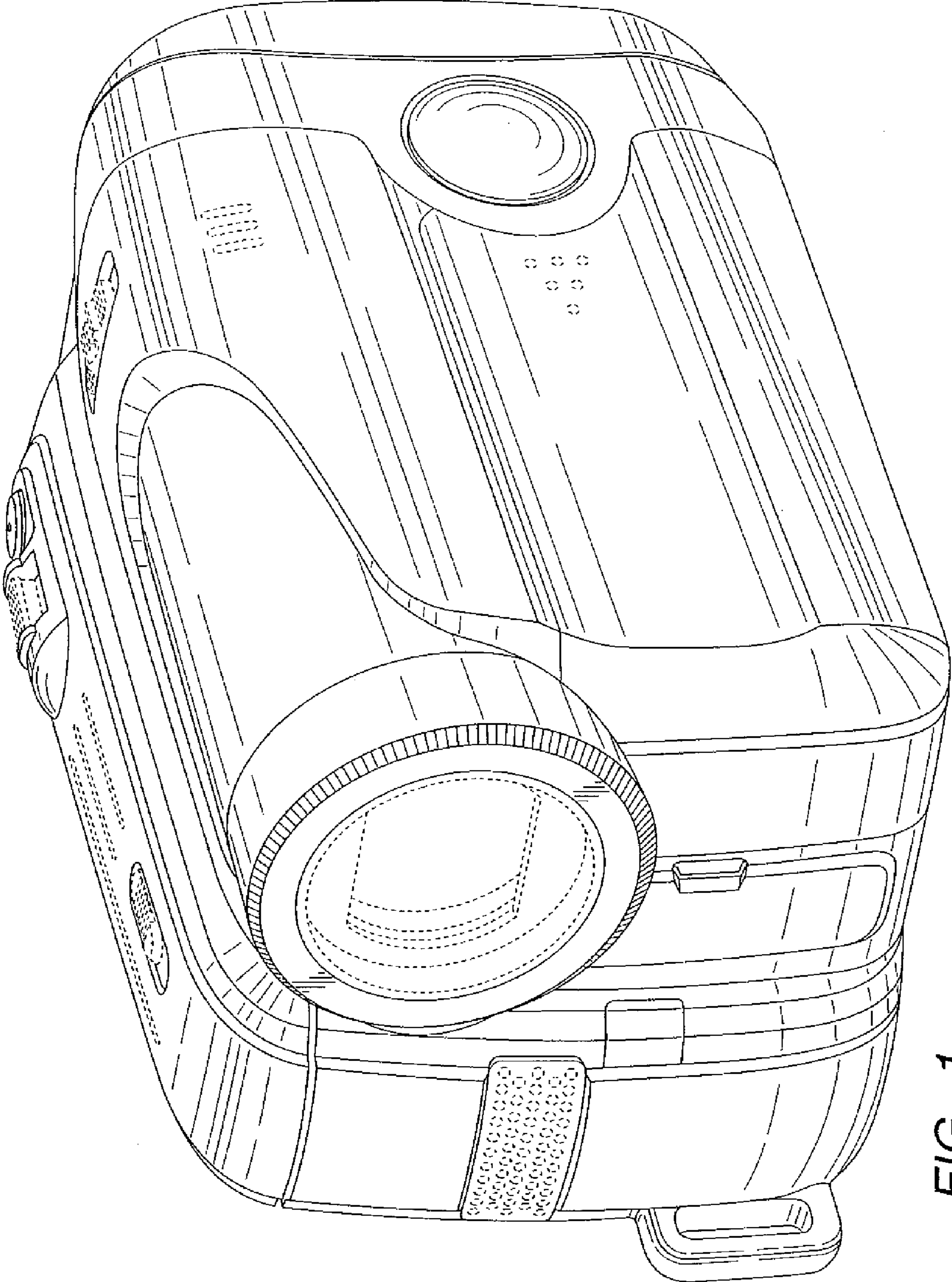


FIG. 1

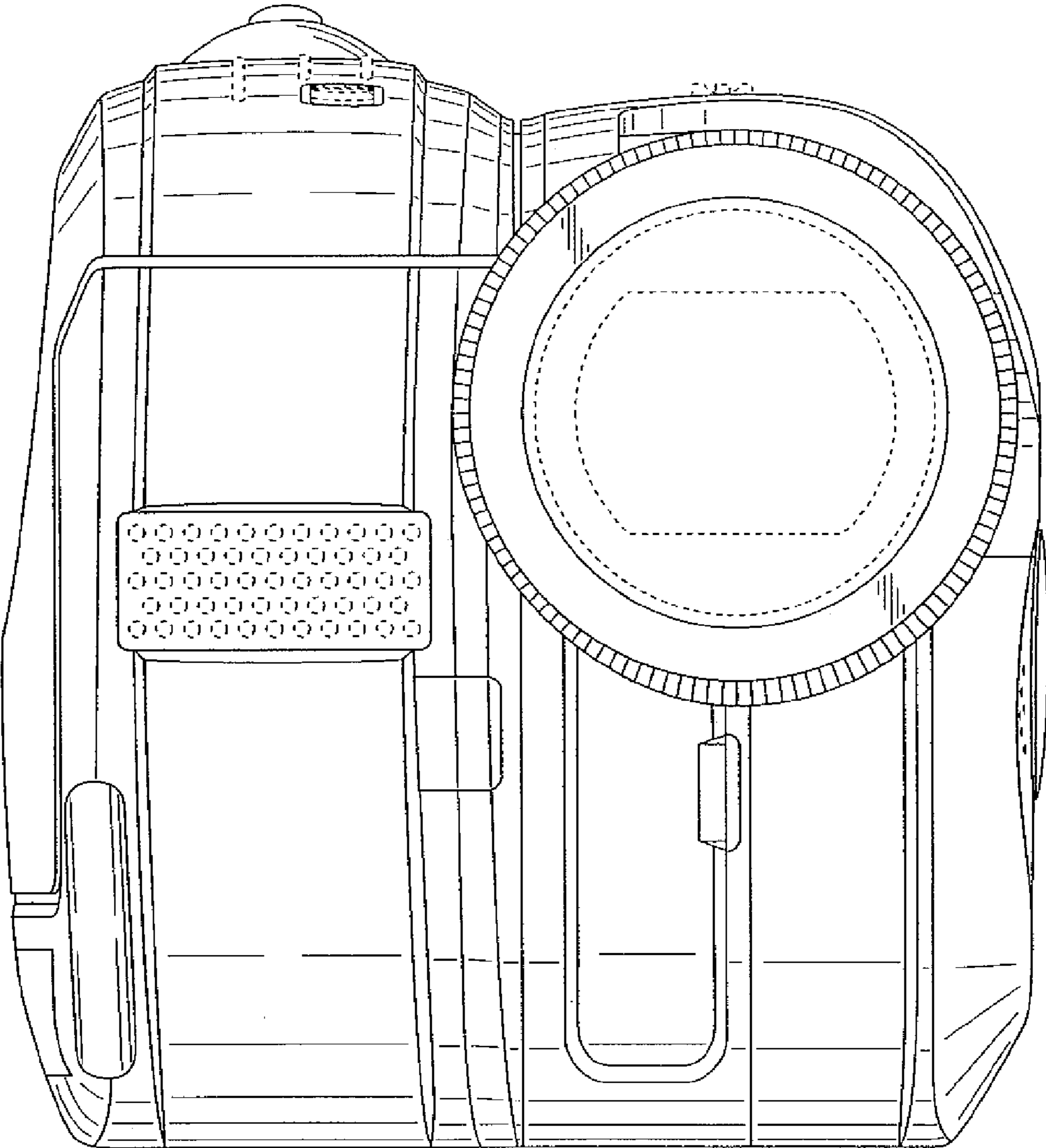


FIG. 2

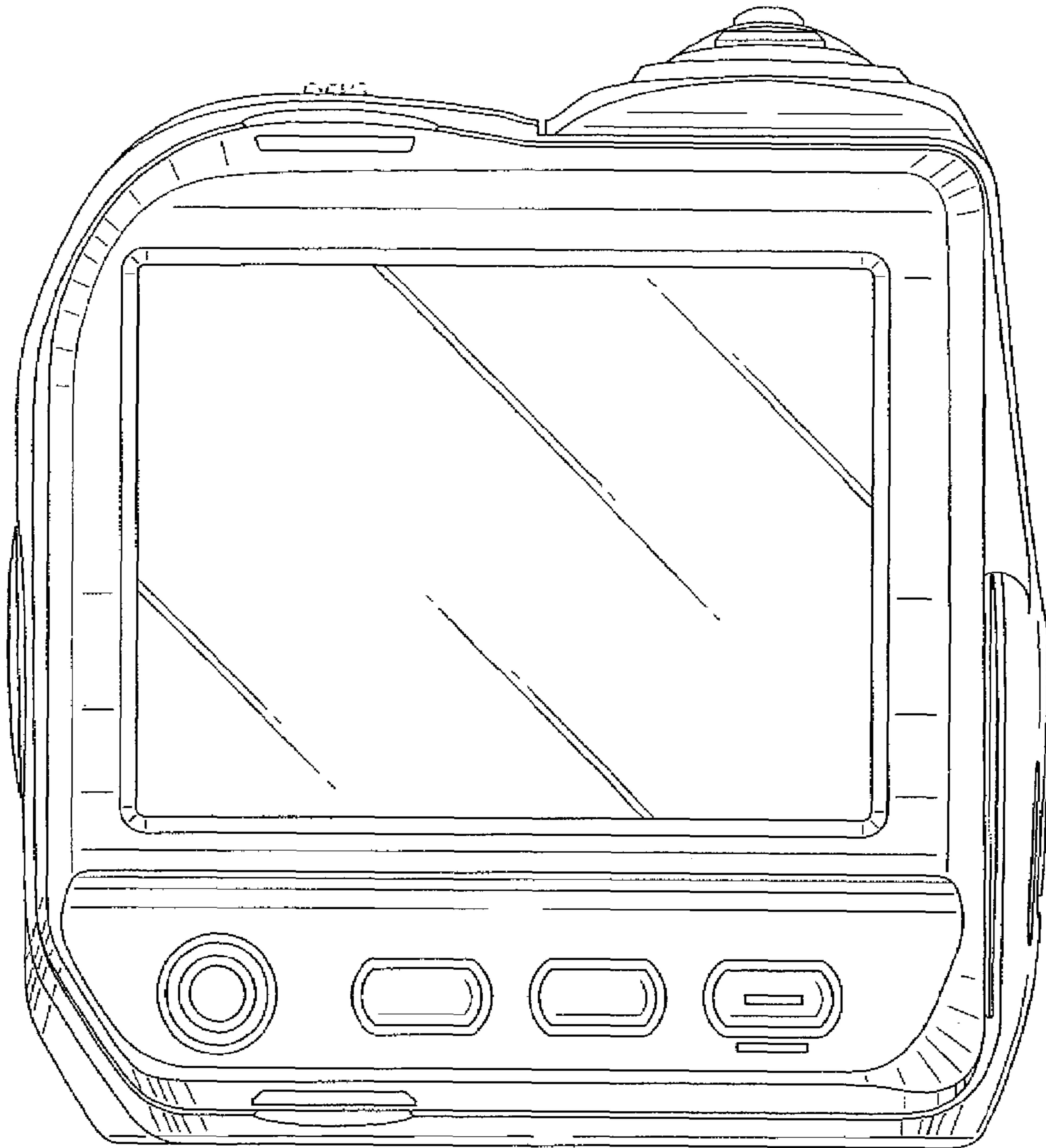


FIG. 3

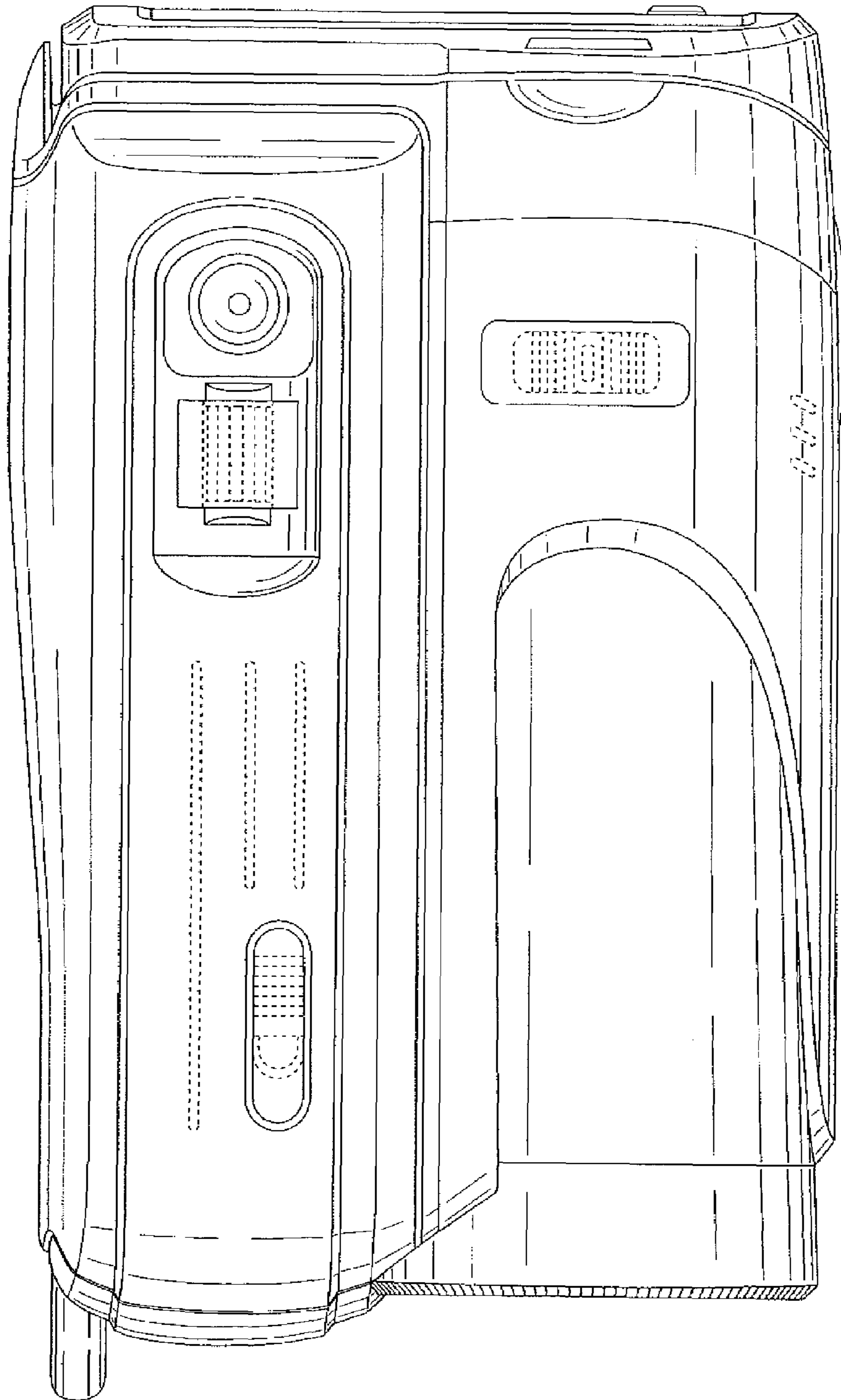


FIG. 4

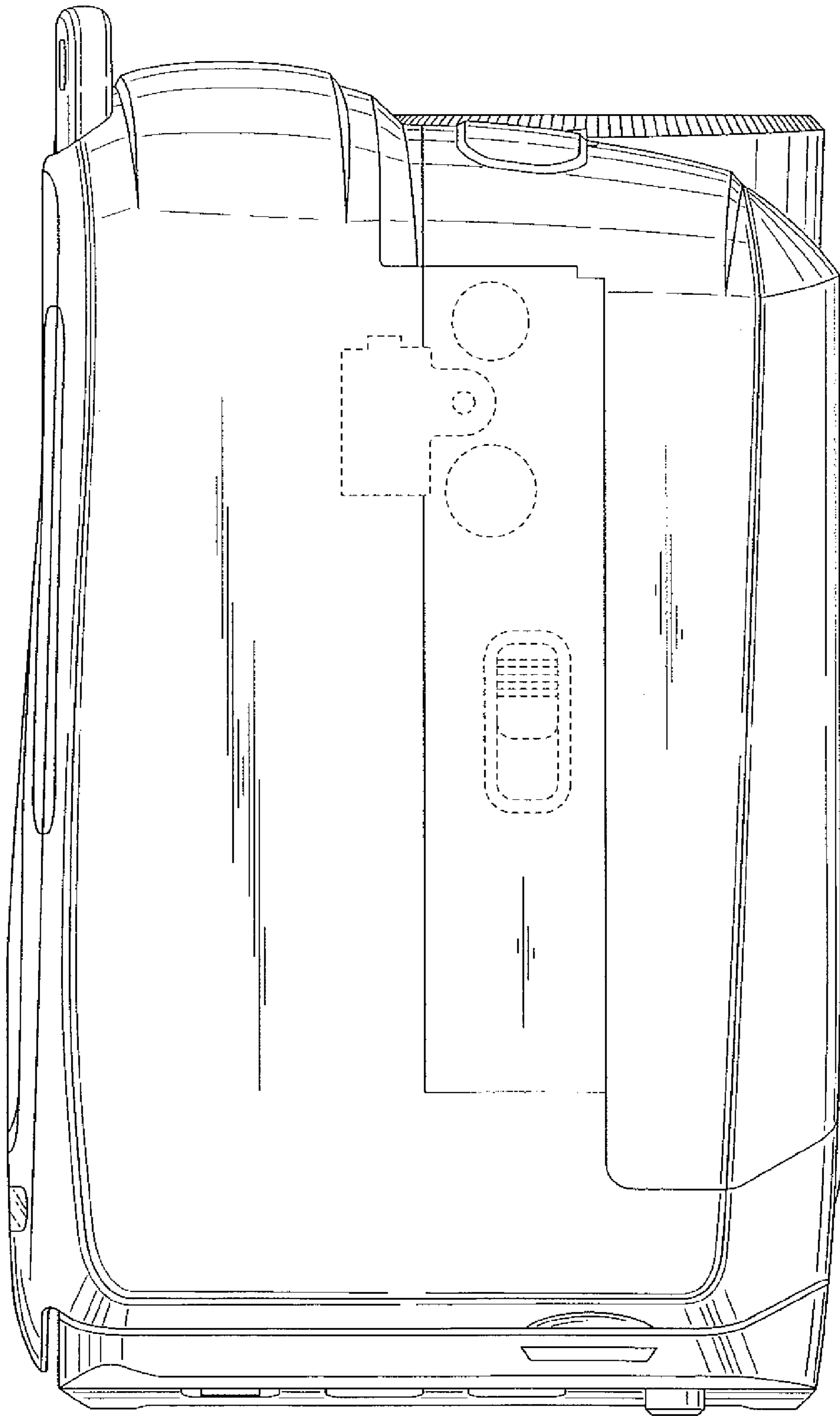


FIG. 5

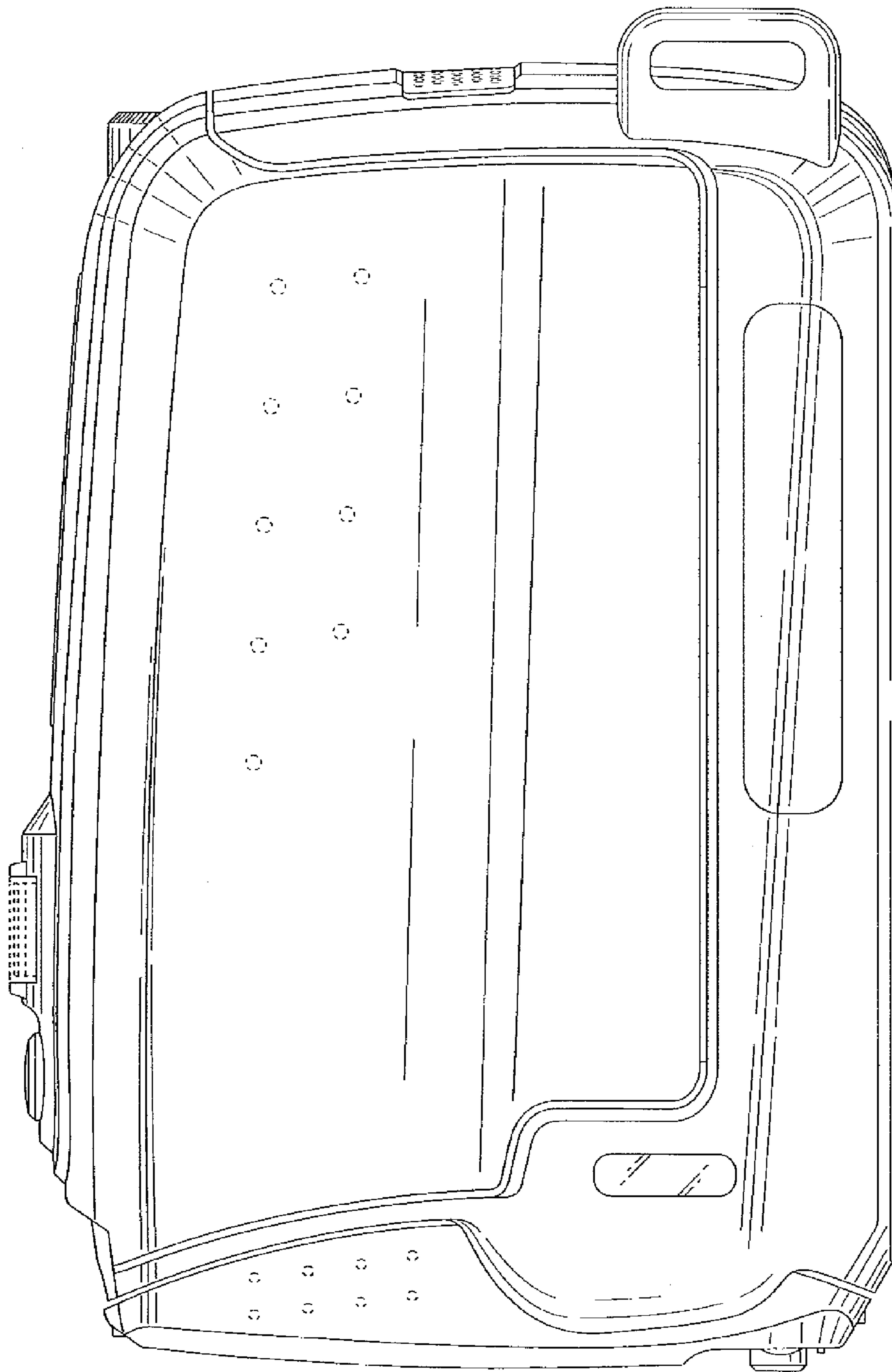


FIG. 6

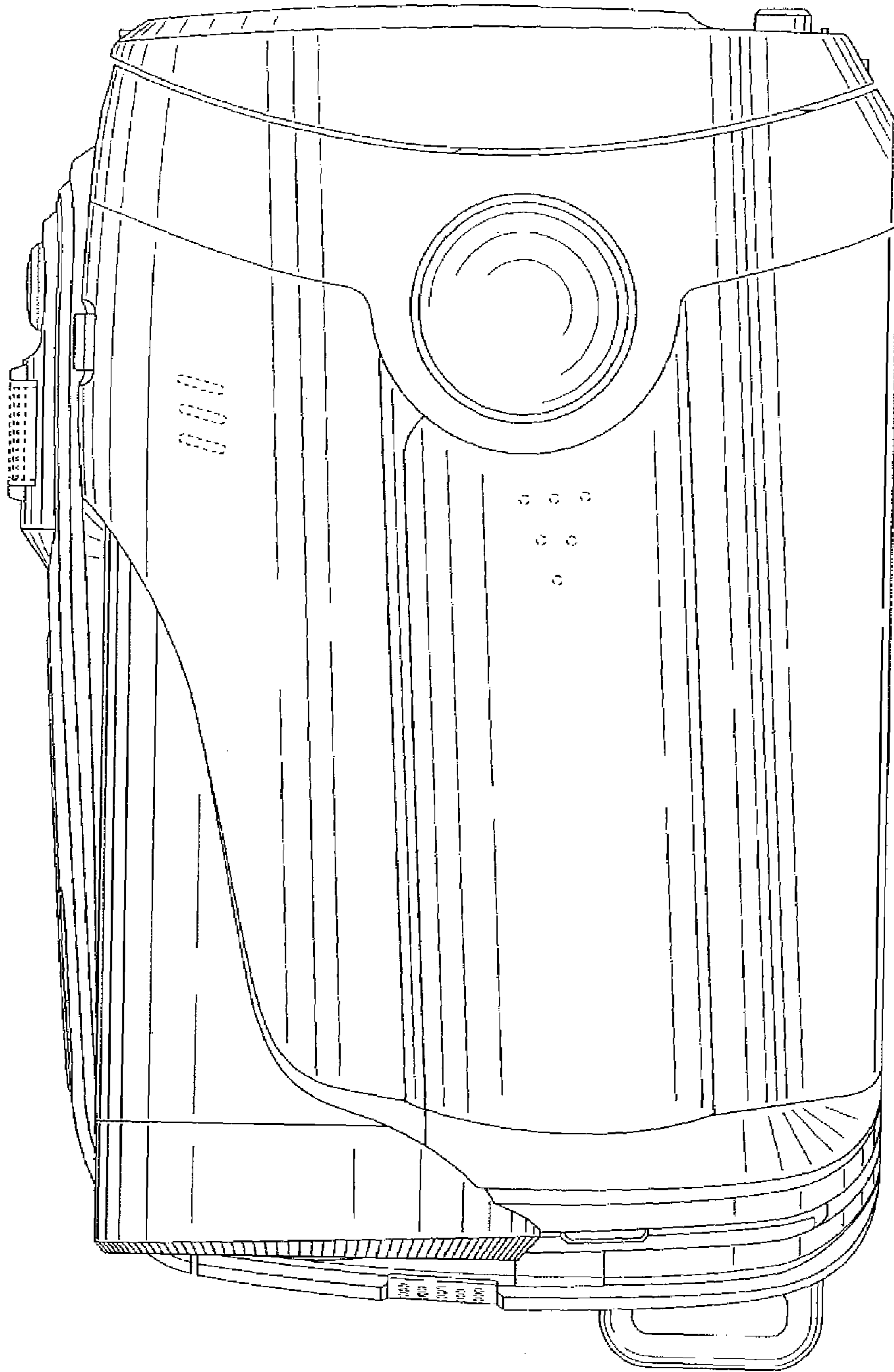


FIG. 7