



US00D575315S

(12) **United States Design Patent**
Inaba

(10) **Patent No.:** **US D575,315 S**
(45) **Date of Patent:** **** Aug. 19, 2008**

(54) **BINOCULARS**

- (75) Inventor: **Toshiya Inaba**, Tokyo (JP)
- (73) Assignee: **PENTAX Corporation**, Tokyo (JP)
- (**) Term: **14 Years**
- (21) Appl. No.: **29/279,814**
- (22) Filed: **May 8, 2007**

(30) **Foreign Application Priority Data**
Nov. 8, 2006 (JP) 2006-030504

- (51) **LOC (8) Cl.** **16-06**
- (52) **U.S. Cl.** **D16/133**
- (58) **Field of Classification Search** D16/133,
D16/130, 132; 359/410-419
See application file for complete search history.

(56) **References Cited**

U.S. PATENT DOCUMENTS

D140,730 S *	4/1945	Kende	D16/133
D359,972 S *	7/1995	Takahashi	D16/133
D412,177 S *	7/1999	Fujii	D16/133
D486,507 S *	2/2004	Fujii	D16/133
D492,335 S *	6/2004	Watanabe	D16/133
D503,730 S *	4/2005	Hamamura	D16/133

FOREIGN PATENT DOCUMENTS

JP	1048155 S	9/1999
JP	1170867 S	4/2003
JP	1192533 S	12/2003
JP	1192643 S	12/2003

* cited by examiner

Primary Examiner—Paula A Greene
(74) *Attorney, Agent, or Firm*—Sughrue Mion, PLLC

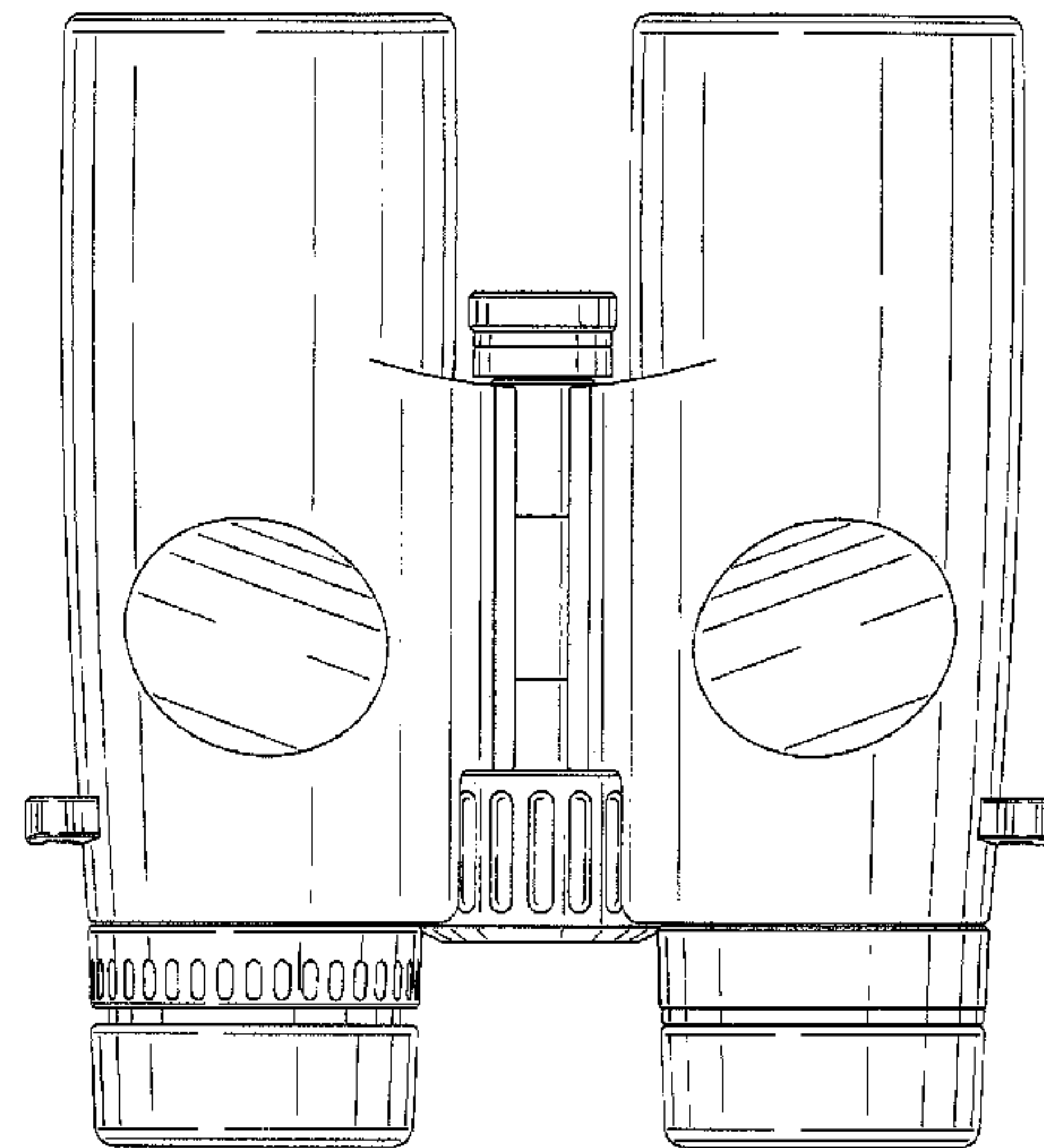
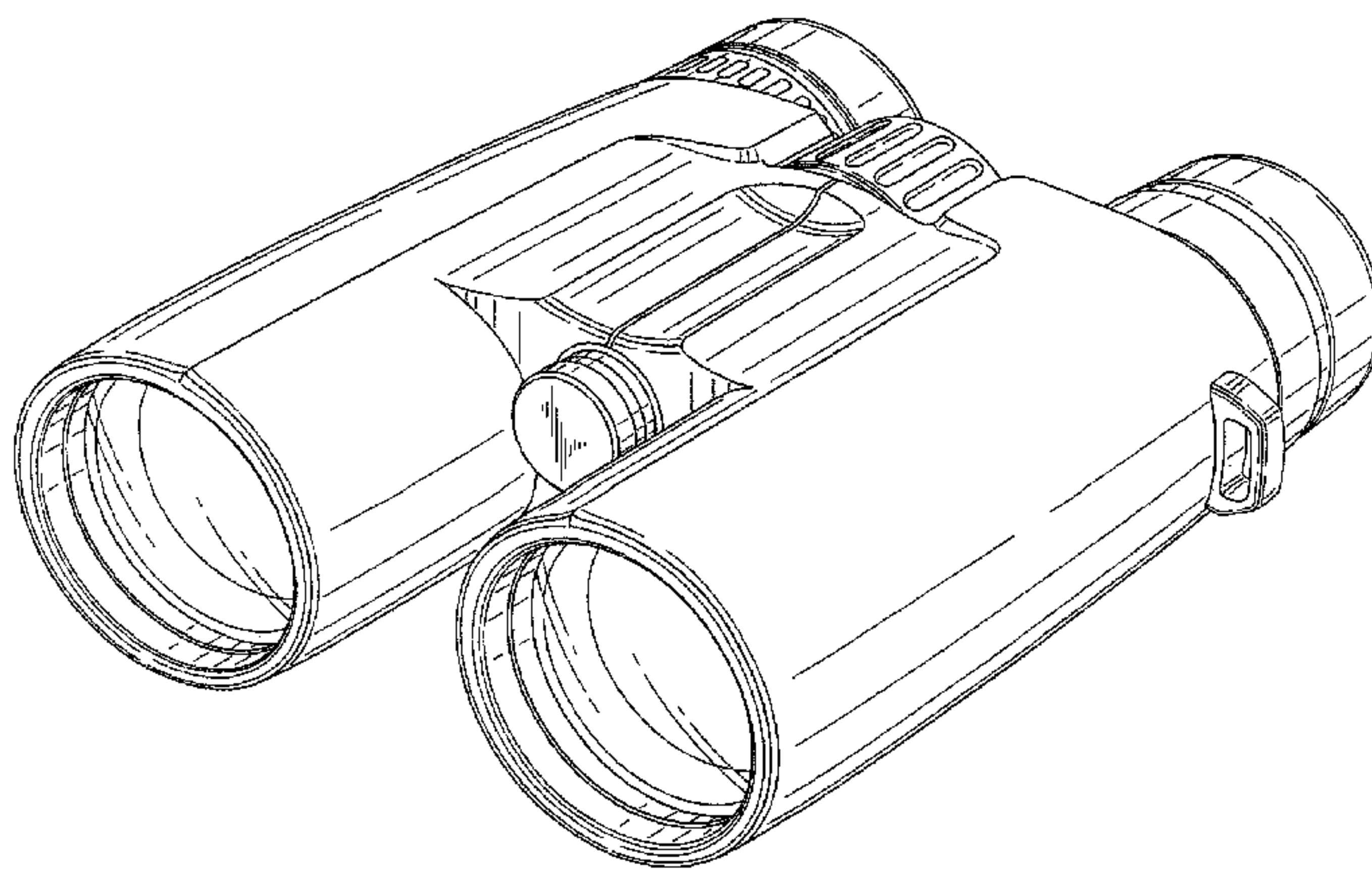
(57) **CLAIM**

The ornamental design for binoculars, as shown and described.

DESCRIPTION

FIG. 1 is a perspective view of the top, front and right side of binoculars showing my new design;
 FIG. 2 is a front elevational view thereof;
 FIG. 3 is a rear elevational view thereof;
 FIG. 4 is a left side elevational view thereof;
 FIG. 5 is a right side elevational view thereof;
 FIG. 6 is a top plan view thereof;
 FIG. 7 is a bottom plan view thereof; and,
 FIG. 8 is a front elevational view thereof, but adjusted to a different position.

1 Claim, 6 Drawing Sheets



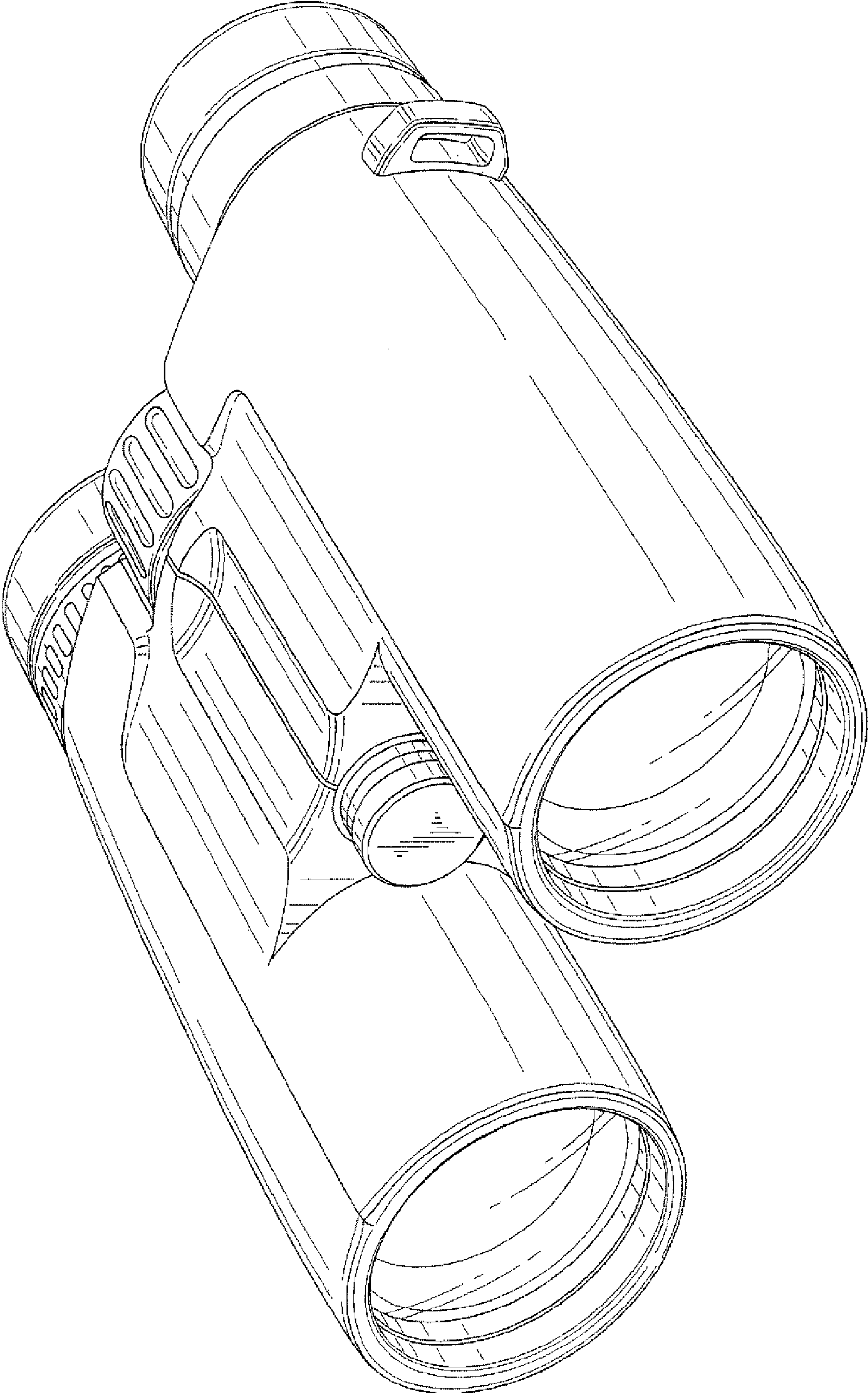


FIG. 1

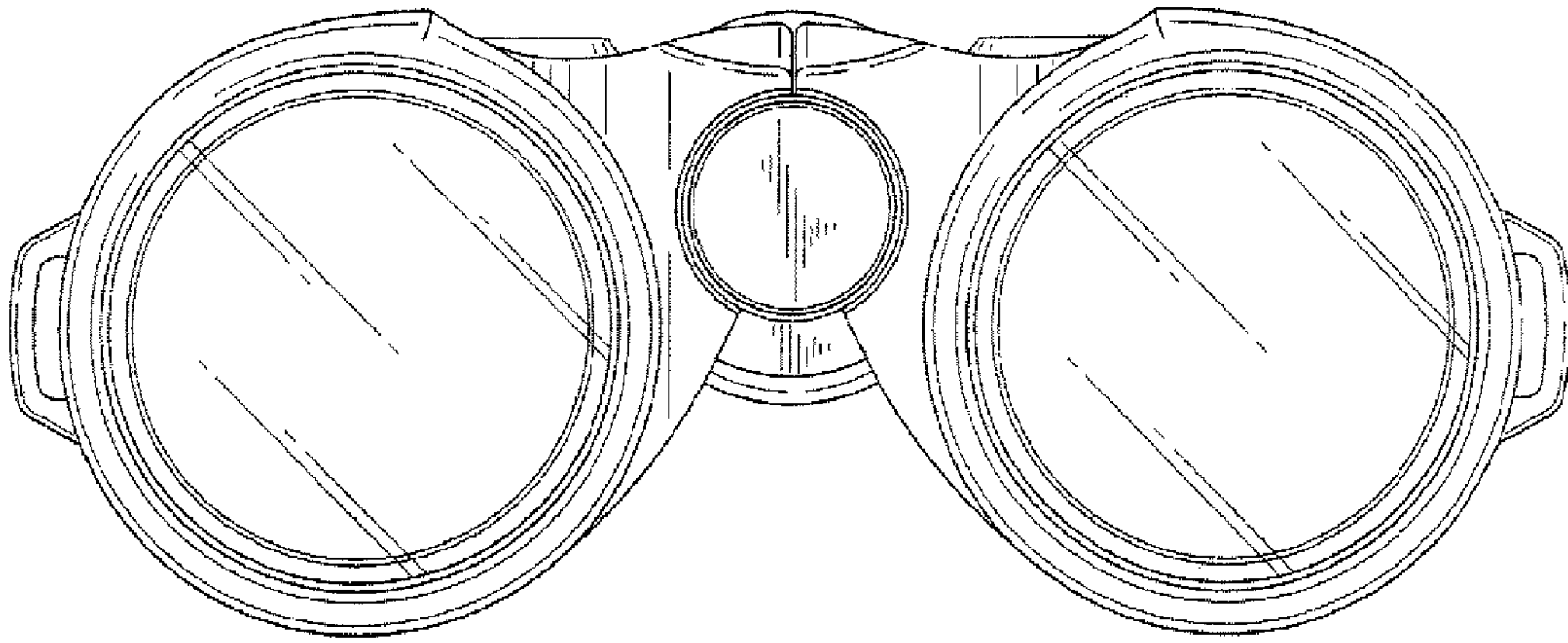


FIG. 2

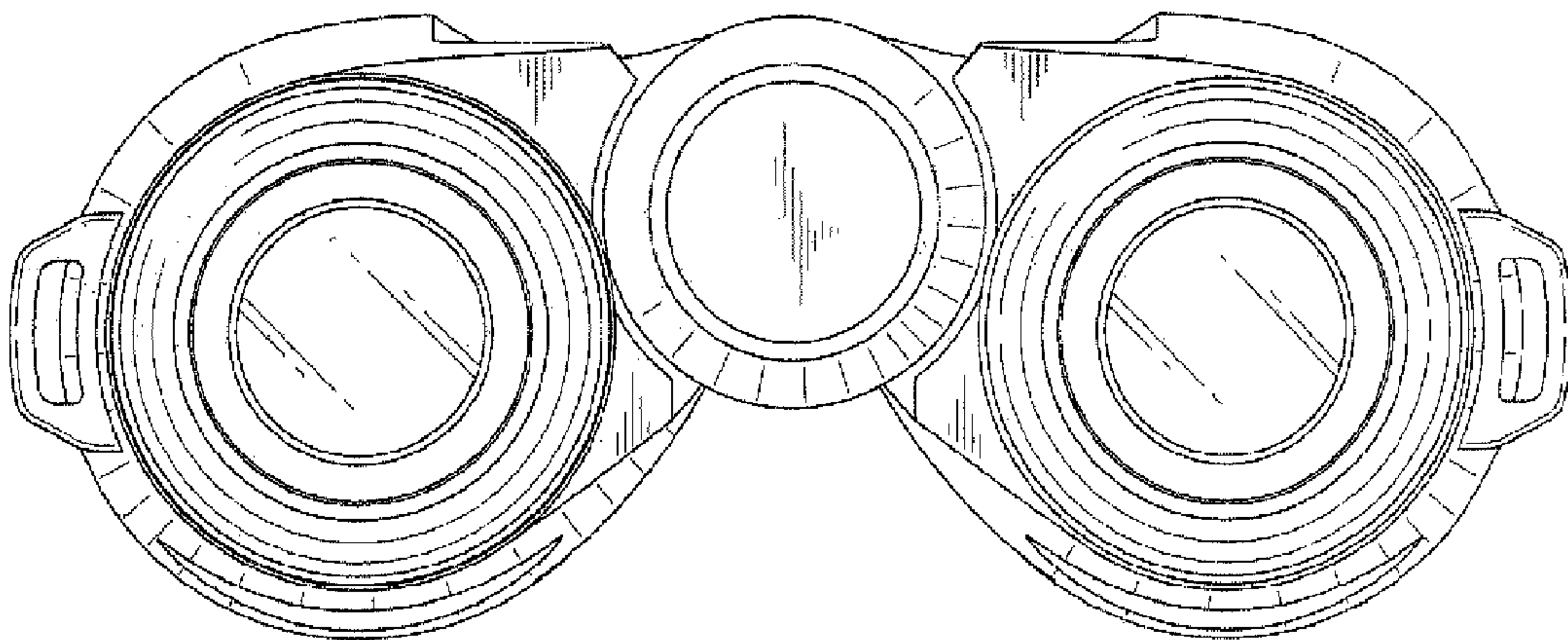


FIG. 3

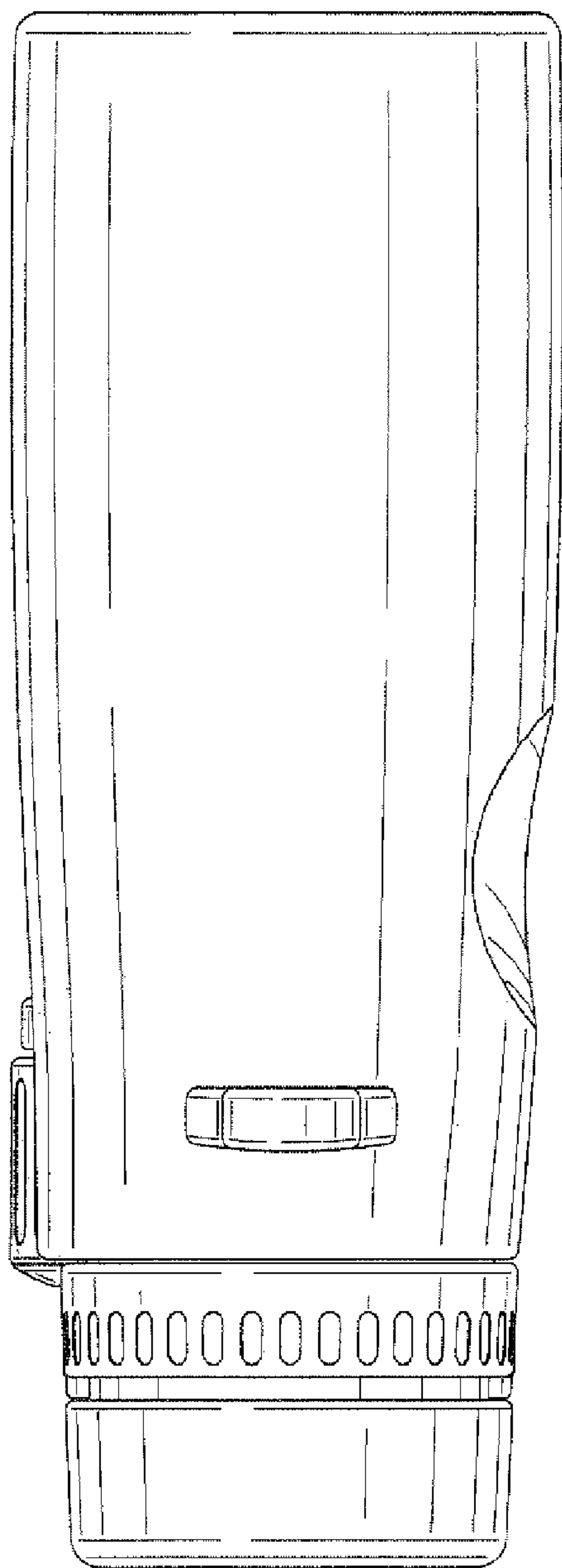


FIG. 4

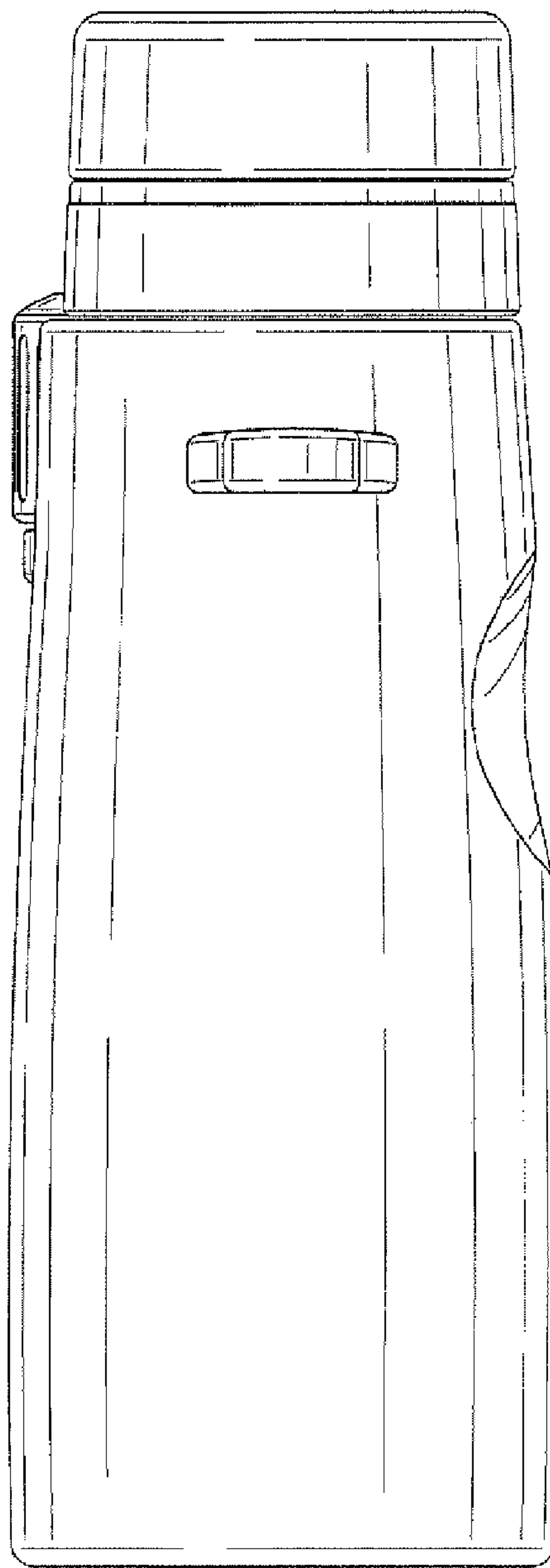


FIG. 5

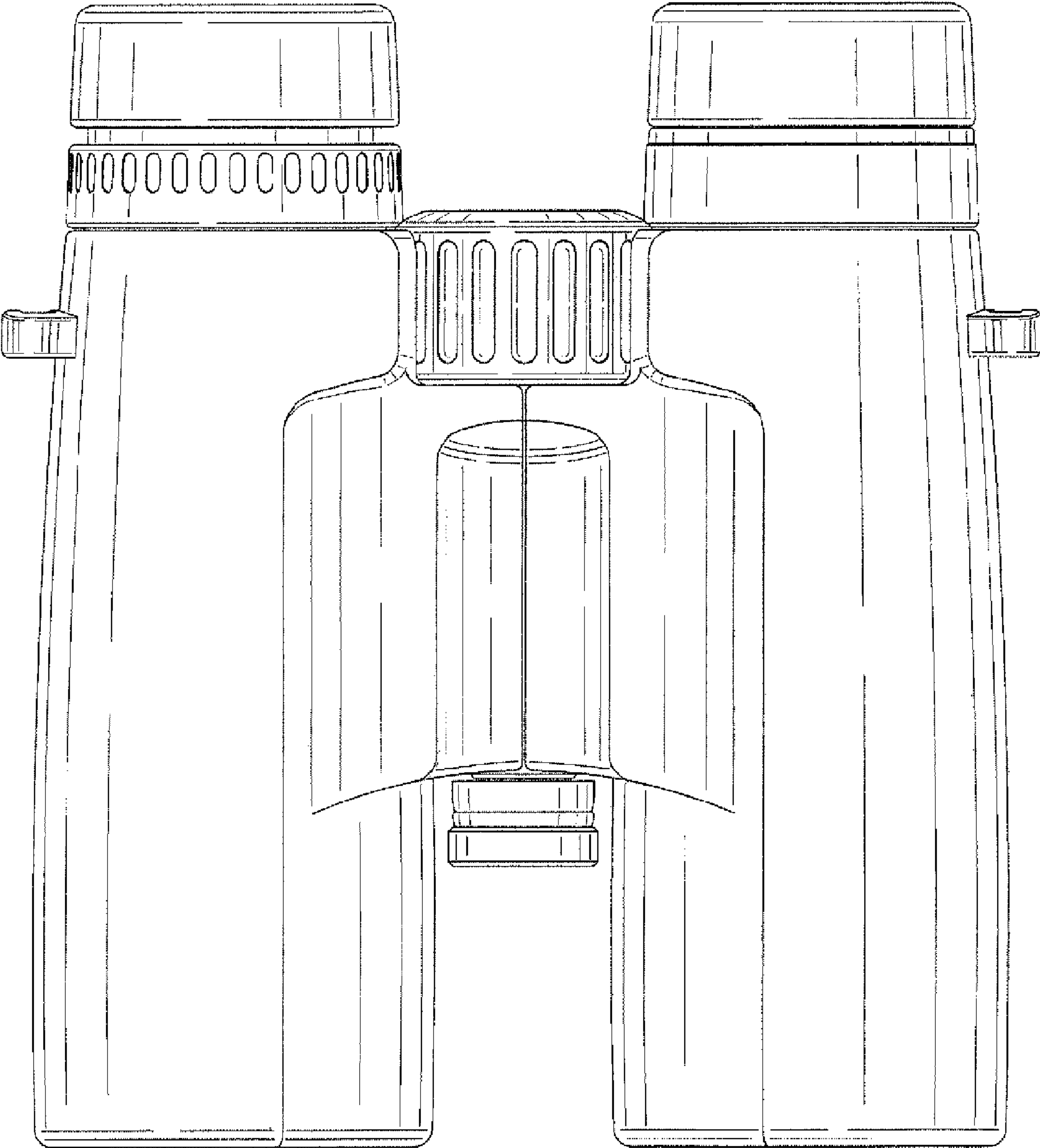


FIG. 6

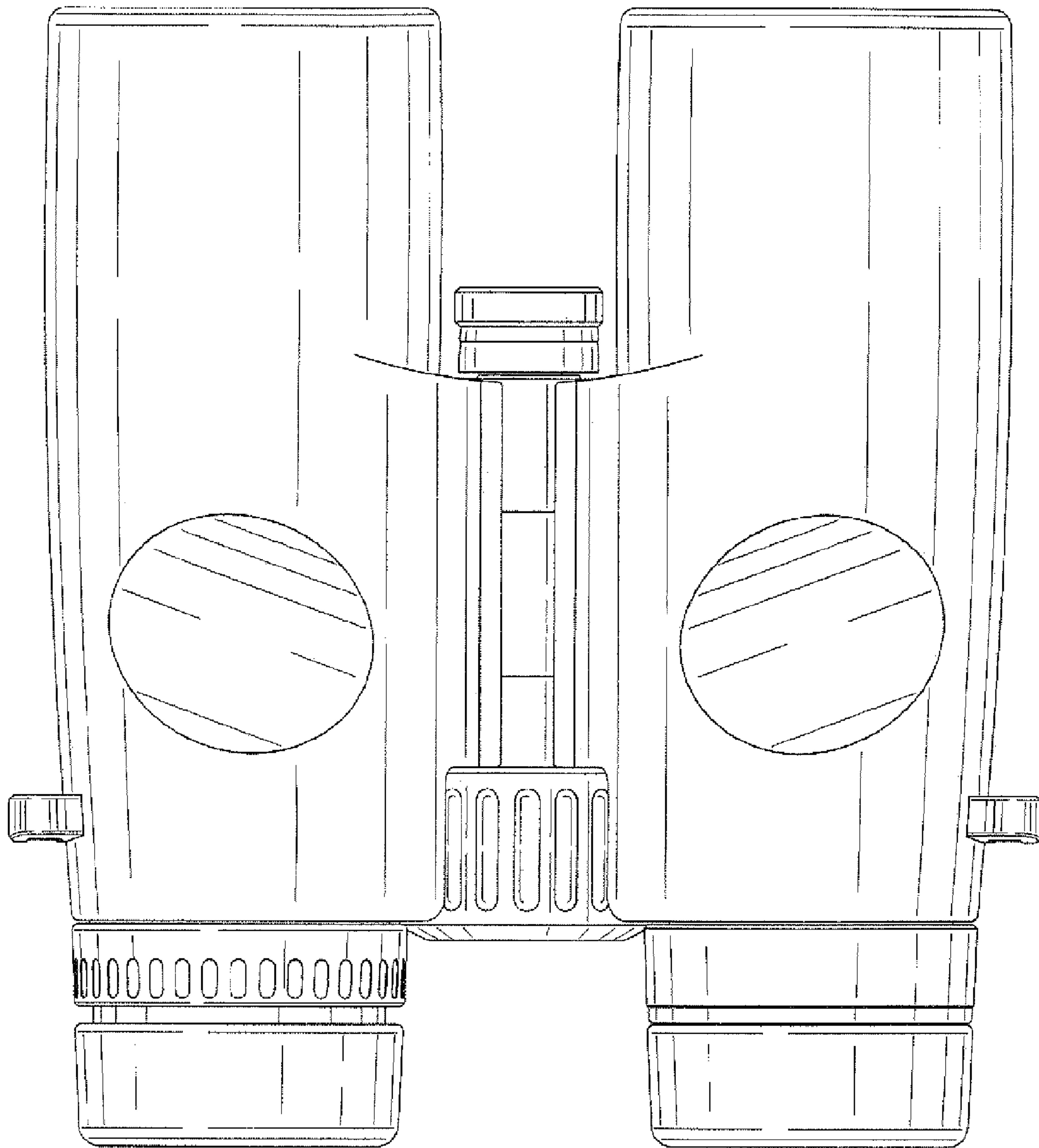


FIG. 7

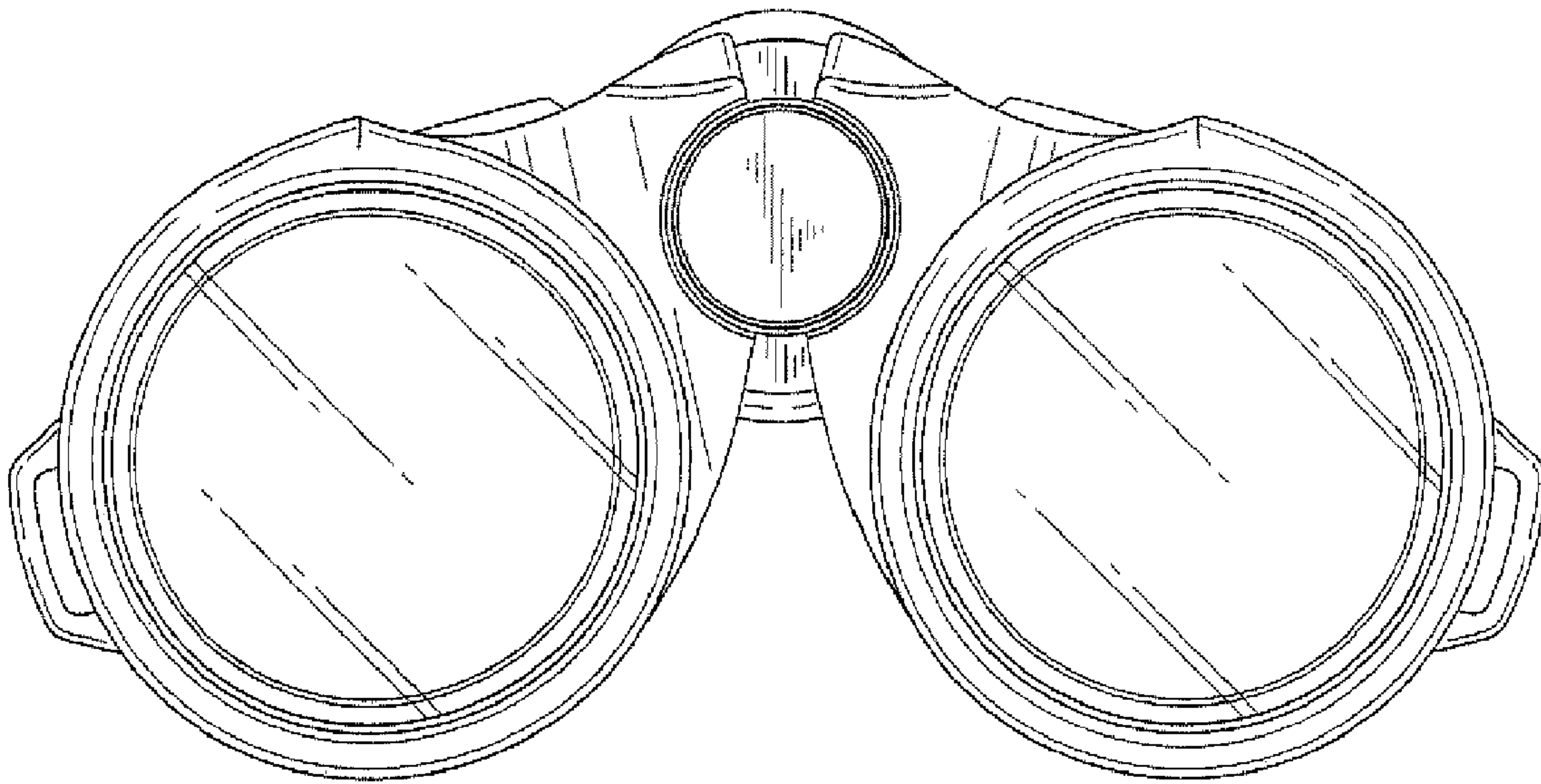


FIG. 8