



US00D575314S

(12) **United States Design Patent**
Hind

(10) **Patent No.:** **US D575,314 S**

(45) **Date of Patent:** **** Aug. 19, 2008**

(54) **MIXING DEVICE**

(75) Inventor: **Graham Hind**, Annan (GB)

(73) Assignee: **STEM Drive Limited**, Dumfriesshire (GB)

(**) Term: **14 Years**

(21) Appl. No.: **29/170,129**

(22) Filed: **Nov. 1, 2002**

(30) **Foreign Application Priority Data**

May 2, 2002 (GB) 3003358

(51) **LOC (8) Cl.** **15-09**

(52) **U.S. Cl.** **D15/147**

(58) **Field of Classification Search** D15/147;
366/208-209, 341

See application file for complete search history.

(56) **References Cited**

U.S. PATENT DOCUMENTS

3,946,993 A * 3/1976 Morlin 366/163.1

D264,218 S * 5/1982 Neuner et al. D15/147

D288,819 S * 3/1987 Droste D15/125

4,818,117 A * 4/1989 Krambrock 366/341

6,022,136 A * 2/2000 Feurstein et al. 366/209

D424,587 S * 5/2000 Maguire D15/147

* cited by examiner

Primary Examiner—Robin V Webster

(74) *Attorney, Agent, or Firm*—Venable LLP; Michael A. Sartori; Steven J. Schwarz

(57) **CLAIM**

I claim the ornamental design for a mixing device, as shown.

DESCRIPTION

FIG. 1 is a front perspective view of a mixing device showing the new design.

FIG. 2 is a rear perspective view thereof;

FIG. 3 is a front view thereof;

FIG. 4 is a rear view thereof;

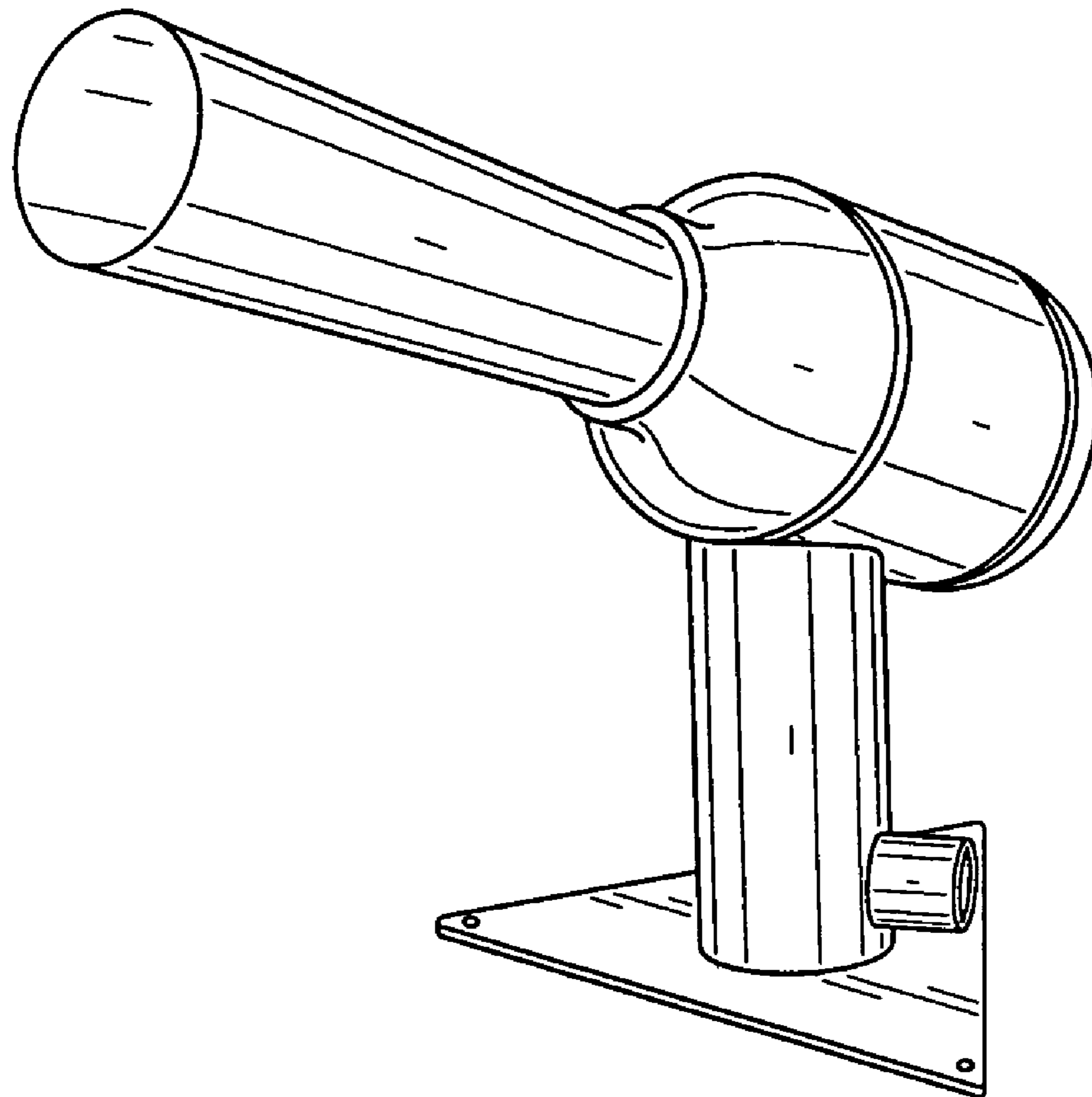
FIG. 5 is a view from above thereof;

FIG. 6 is a view from below thereof;

FIG. 7 is a view from one side thereof; and,

FIG. 8 is a view from a side opposite to the side illustrated in FIG. 7 thereof.

1 Claim, 4 Drawing Sheets



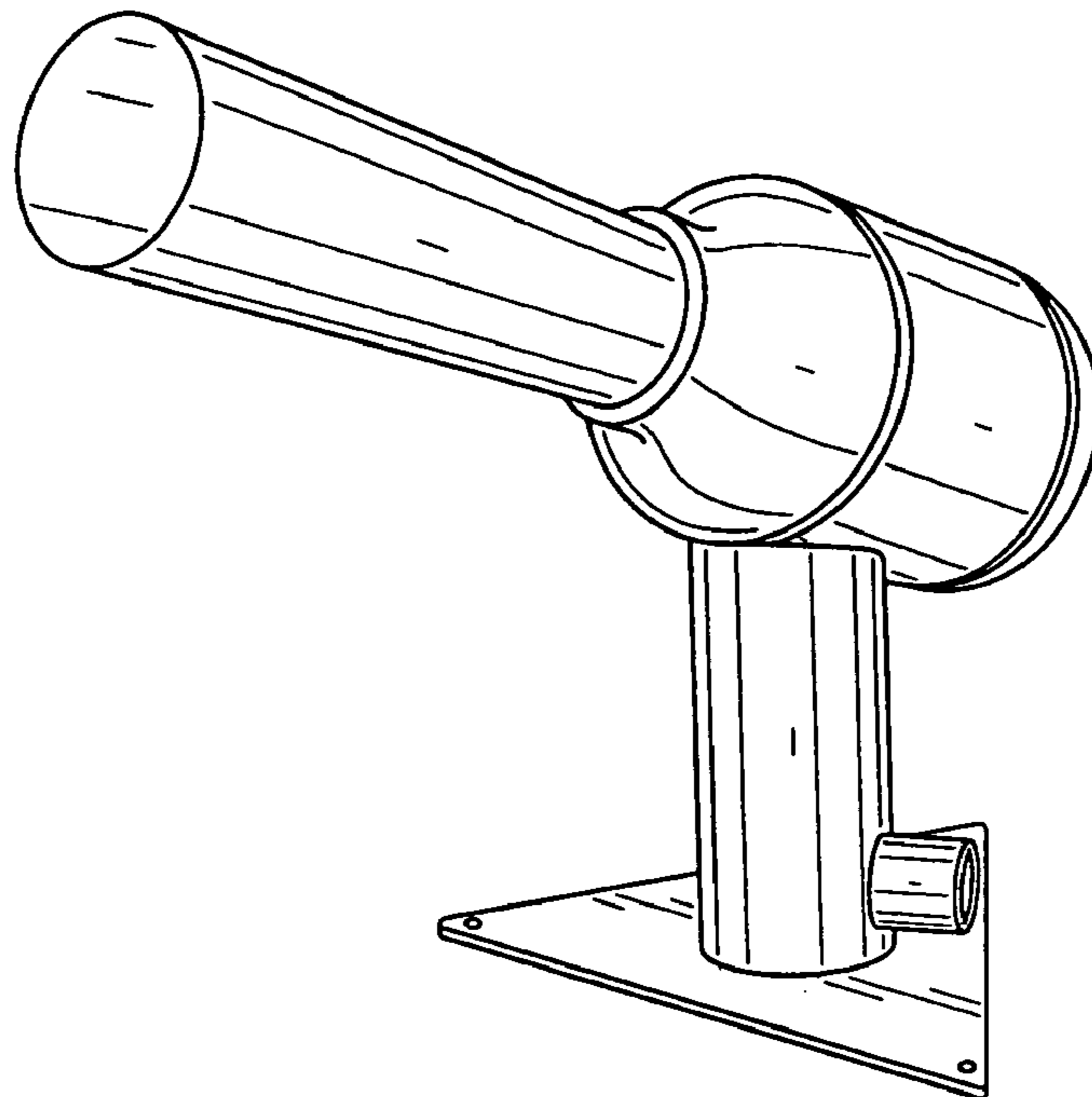


FIG. 1

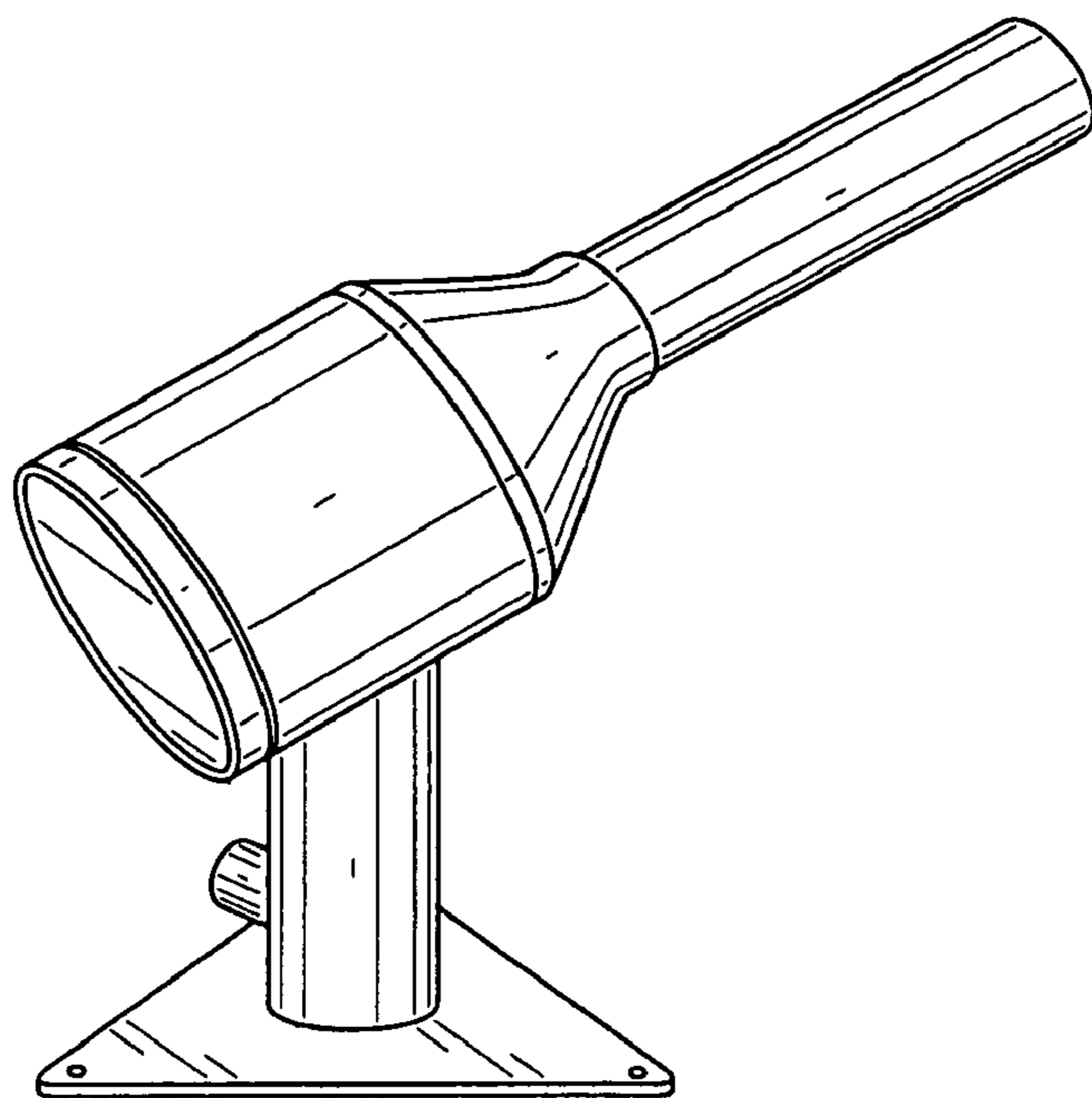


FIG. 2

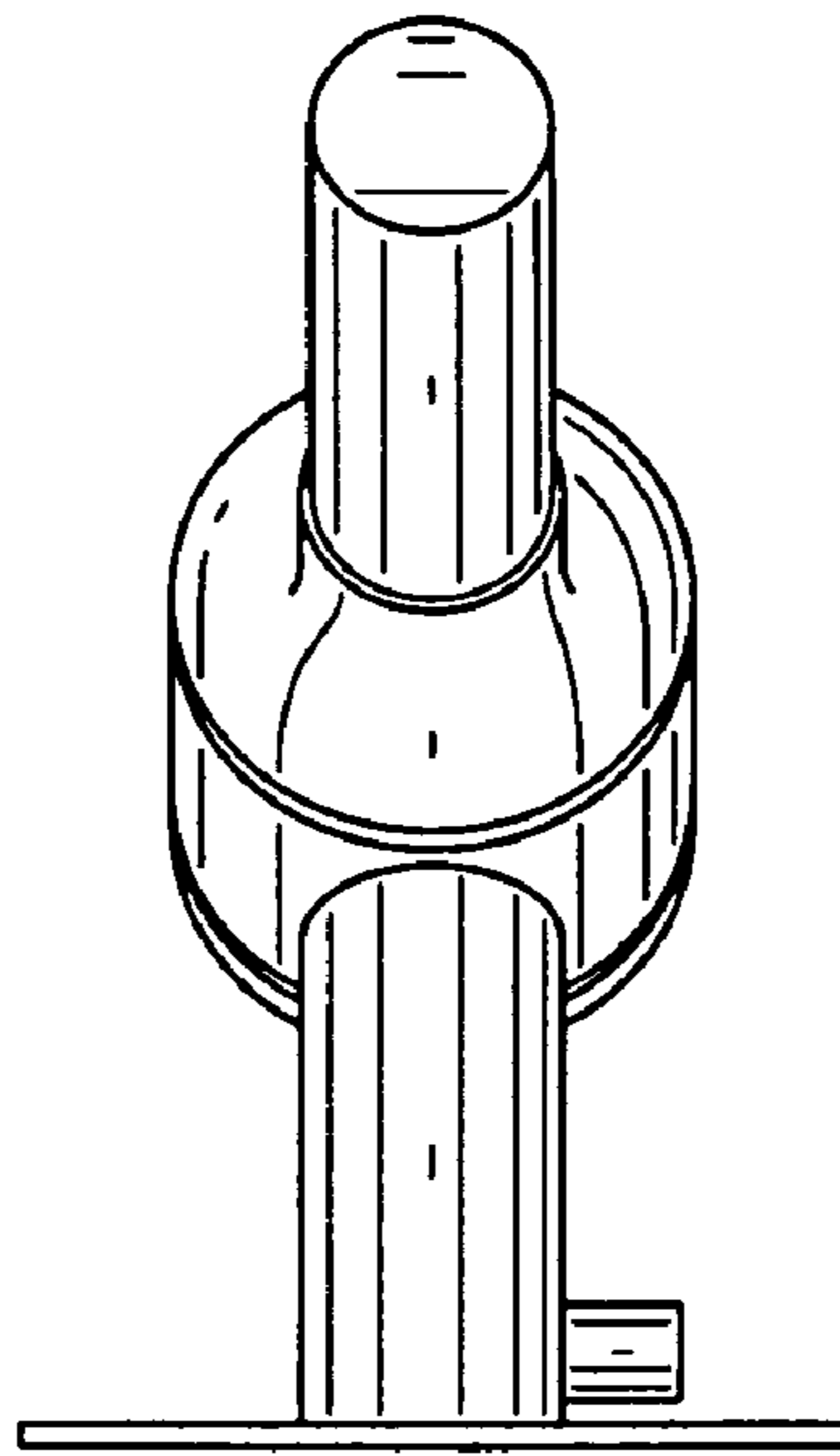


FIG. 3

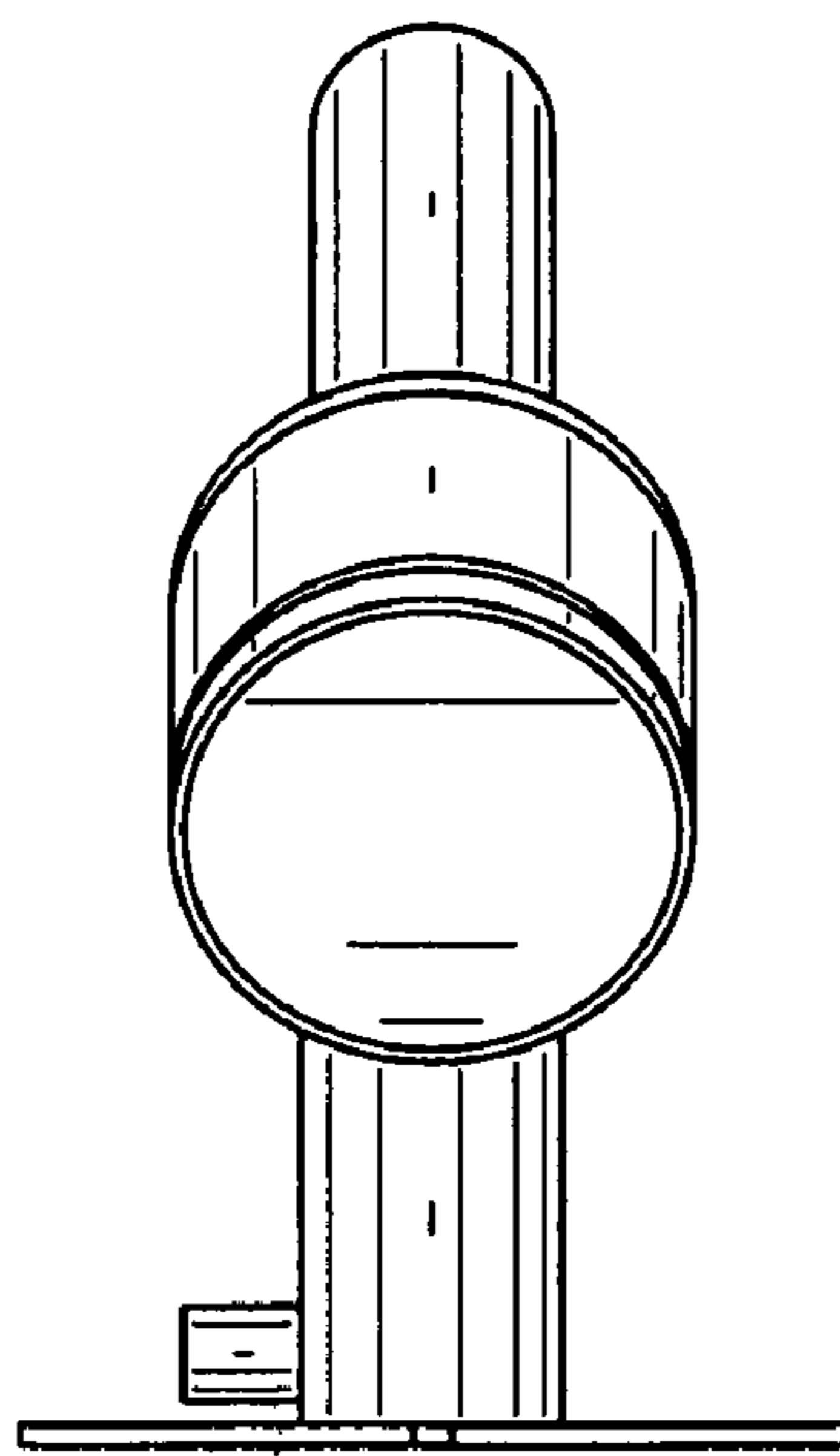


FIG. 4

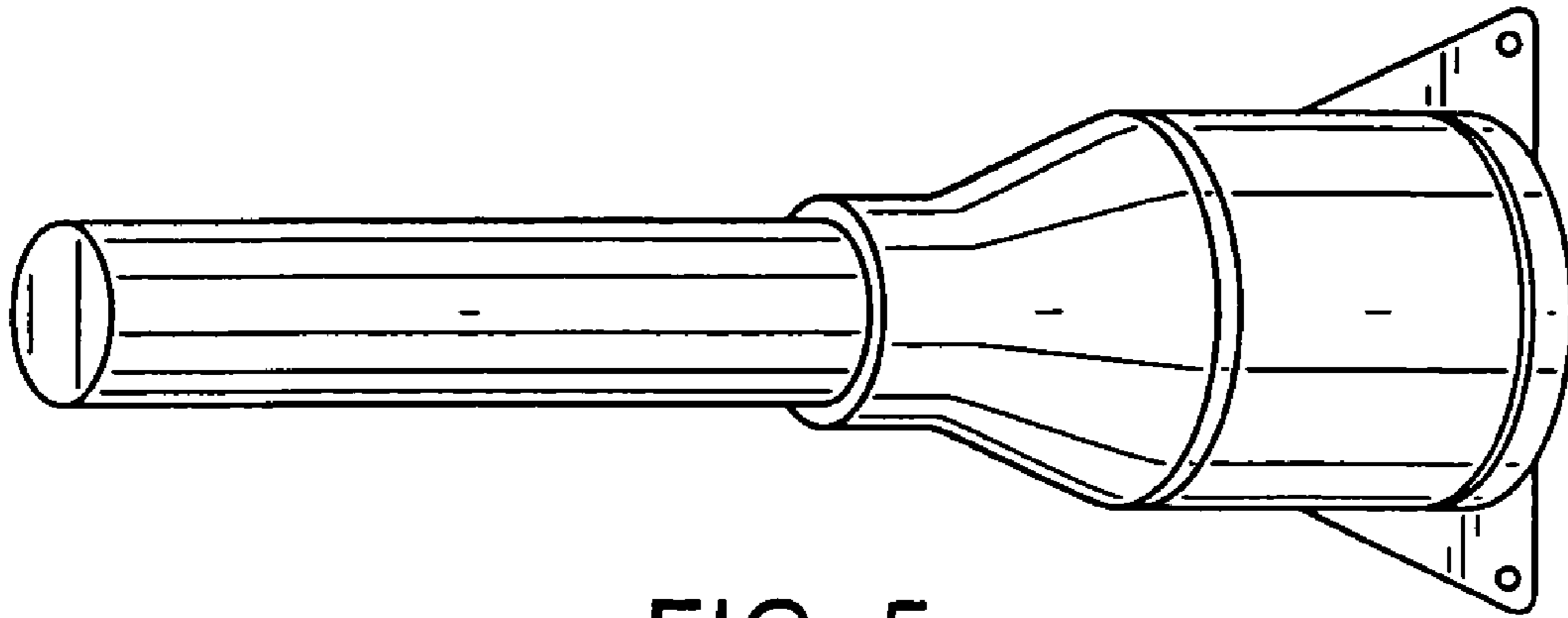


FIG. 5

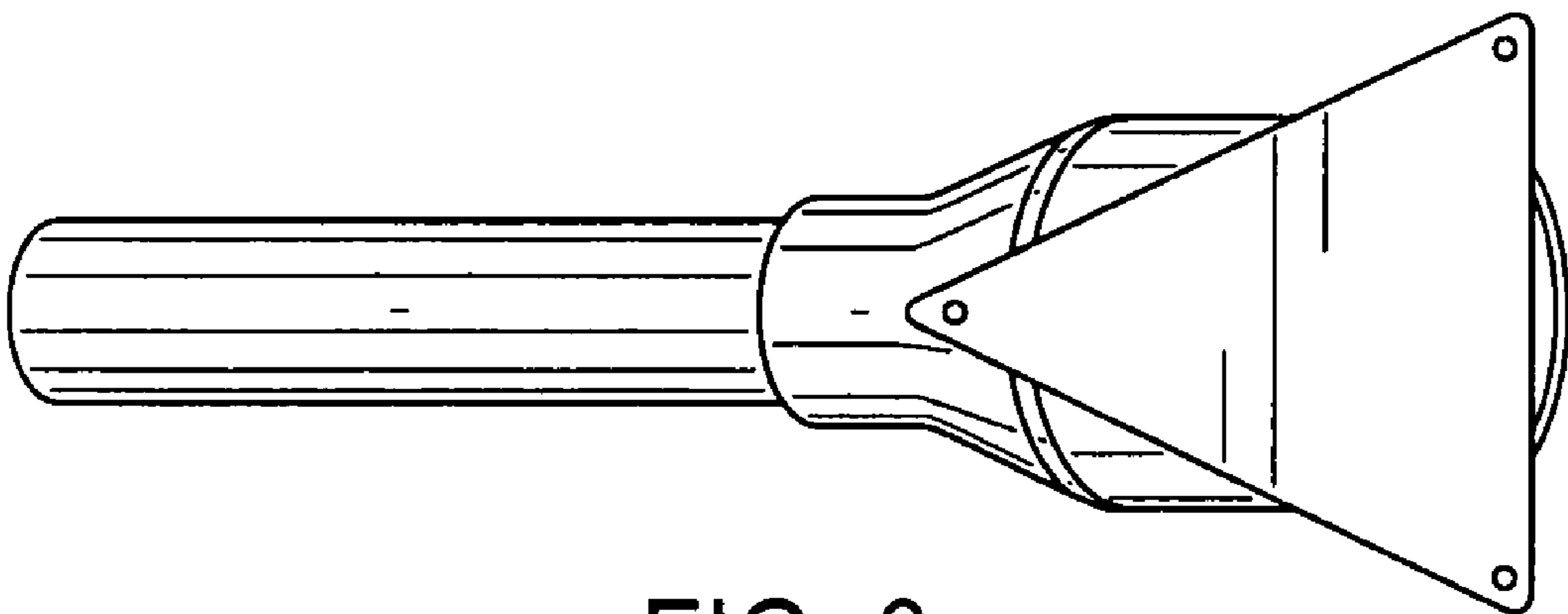


FIG. 6

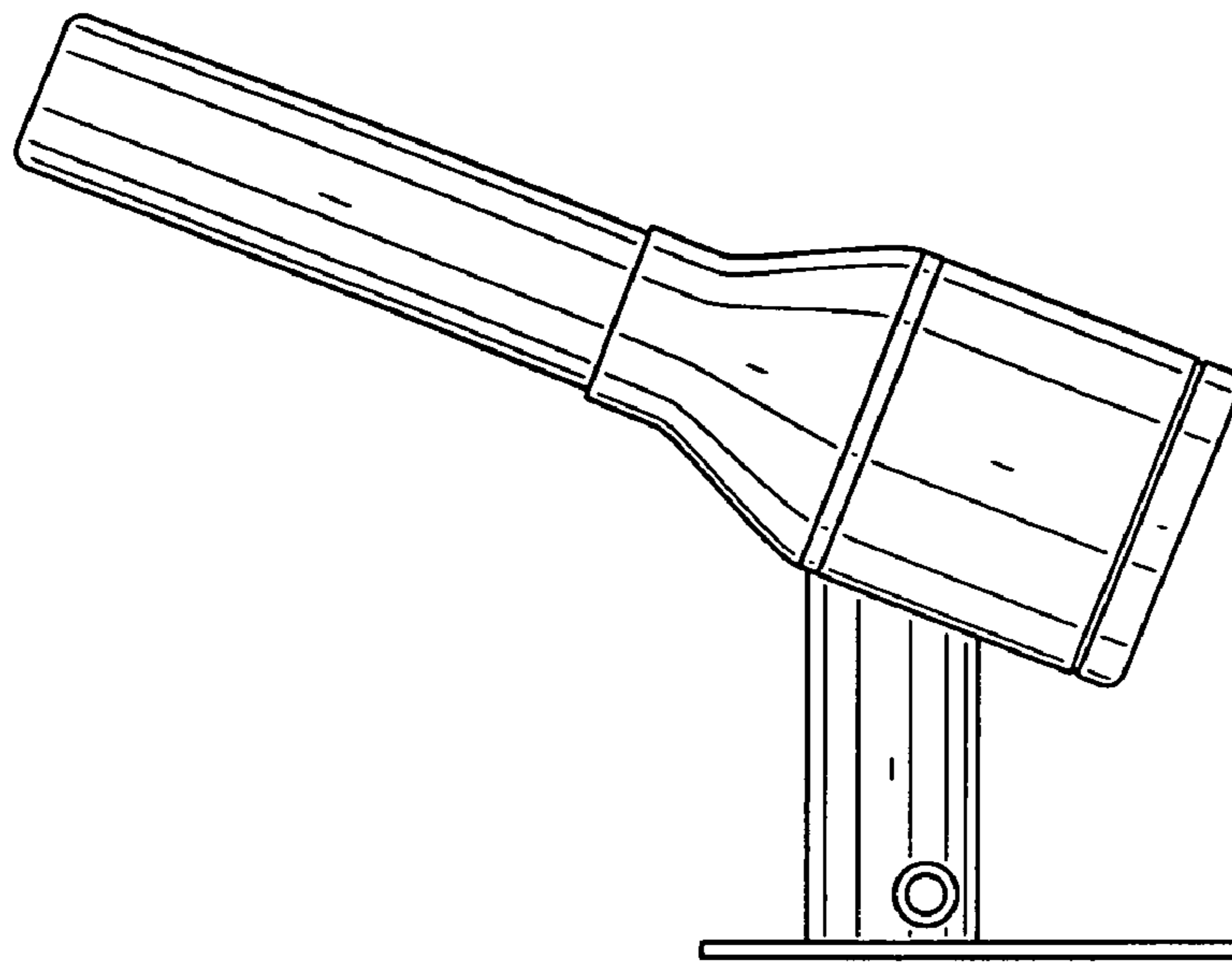


FIG. 7

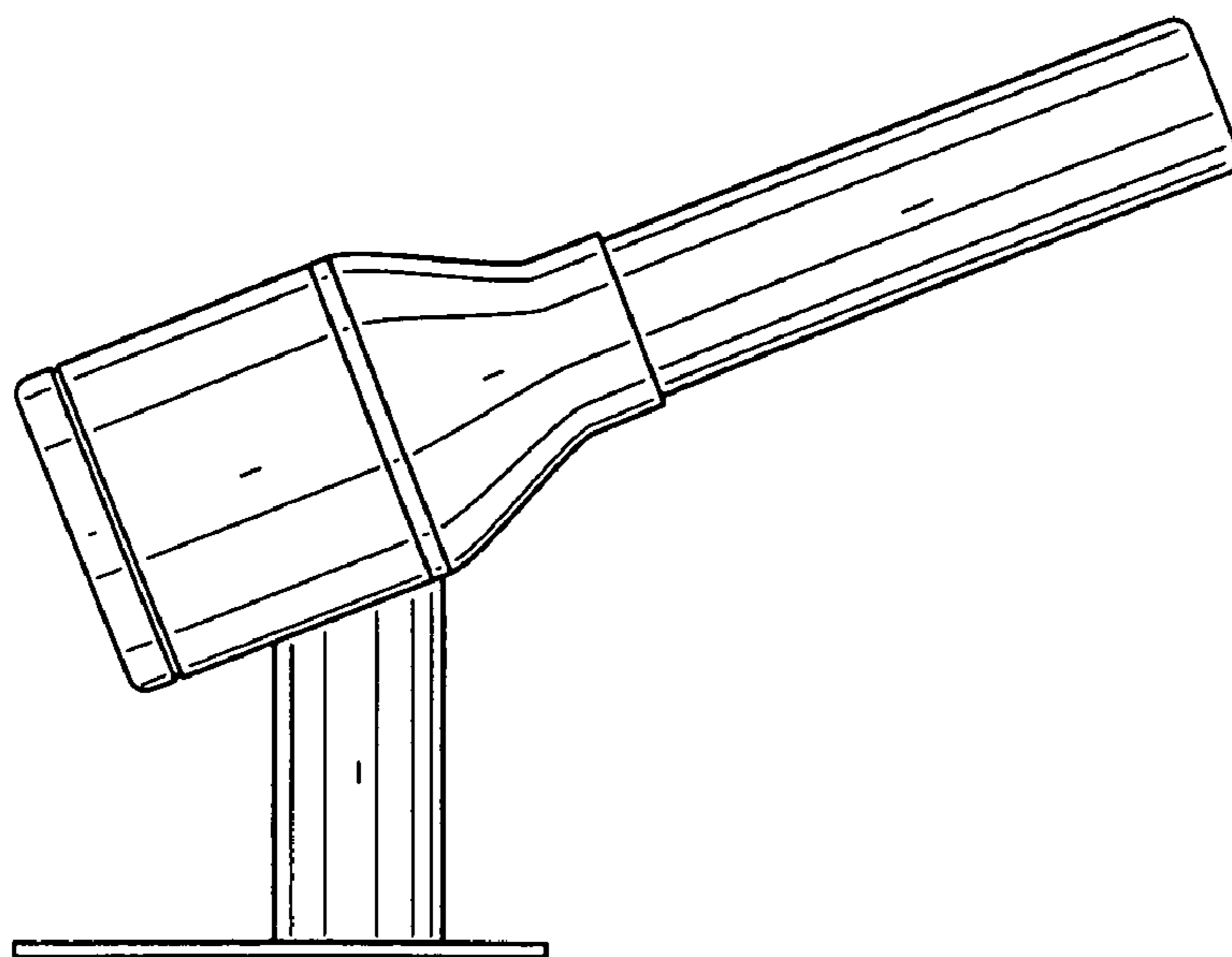


FIG. 8