



US00D575312S

(12) **United States Design Patent**
McDaniel et al.

(10) **Patent No.:** **US D575,312 S**
(45) **Date of Patent:** **** Aug. 19, 2008**

(54) **OUTRIGGER FOR A JIG APPARATUS**
(75) Inventors: **Steven D. McDaniel**, Humboldt, TN
(US); **Joseph C. King**, Jackson, TN
(US); **Mark A. Etter**, Independence,
MO (US)
(73) Assignee: **Black & Decker Inc.**, Newark, DE (US)
(**) Term: **14 Years**

2,607,375 A 9/1952 Gillespie et al.
2,651,847 A 9/1953 Sacrey
2,660,803 A 12/1953 Sacrey
2,764,191 A 9/1956 Hartmann
2,843,167 A 7/1958 Rushton
2,890,730 A 6/1959 Gottlieb
3,057,383 A 10/1962 Waite
3,099,299 A 7/1963 Gilfry
3,109,466 A 11/1963 Jones
3,232,327 A 2/1966 Baranczyk

(21) Appl. No.: **29/264,897**

(22) Filed: **Aug. 22, 2006**

(51) **LOC (8) Cl.** **15-09**
(52) **U.S. Cl.** **D15/140**
(58) **Field of Classification Search** D15/140;
83/467.1, 468.2, 469.6; 144/71, 82, 83, 84,
144/135.2, 136.1, 137, 144.1, 144.2, 144.51,
144/198, 200-201, 204.2, 363, 371, 372;
264/303, 315; 269/245-248, 277-284
See application file for complete search history.

(56) **References Cited**

U.S. PATENT DOCUMENTS

18,838 A 12/1857 Babbs et al.
266,042 A 10/1882 Merz
475,544 A 5/1892 Dobbie
478,544 A 7/1892 Cordesman et al.
610,272 A 9/1898 Lindwall
1,262,743 A 4/1918 Bronson
1,432,121 A 10/1922 Prickett
1,466,312 A 8/1923 Morcom
1,483,966 A 2/1924 Collins
1,532,467 A 4/1925 Barnett
1,670,074 A 5/1928 Mathez
1,679,074 A 7/1928 Carter
1,751,816 A 3/1930 Hunter
1,841,043 A 1/1932 Moore
1,863,032 A 6/1932 Seelinger
2,036,348 A 4/1936 Miller
2,080,859 A 5/1937 Drapak et al.
2,260,784 A 10/1941 Morton
2,299,602 A 10/1942 Teague

(Continued)

FOREIGN PATENT DOCUMENTS

DE 879012 6/1953

(Continued)

OTHER PUBLICATIONS

Vermont American, Industrial Dovetail Jig, Model #23461, Manual
No. 45LCN-72, Aug. 1999. USA.

(Continued)

Primary Examiner—Sandra Snapp
Assistant Examiner—Patricia Palasik
(74) *Attorney, Agent, or Firm*—Goodwin Procter LLP

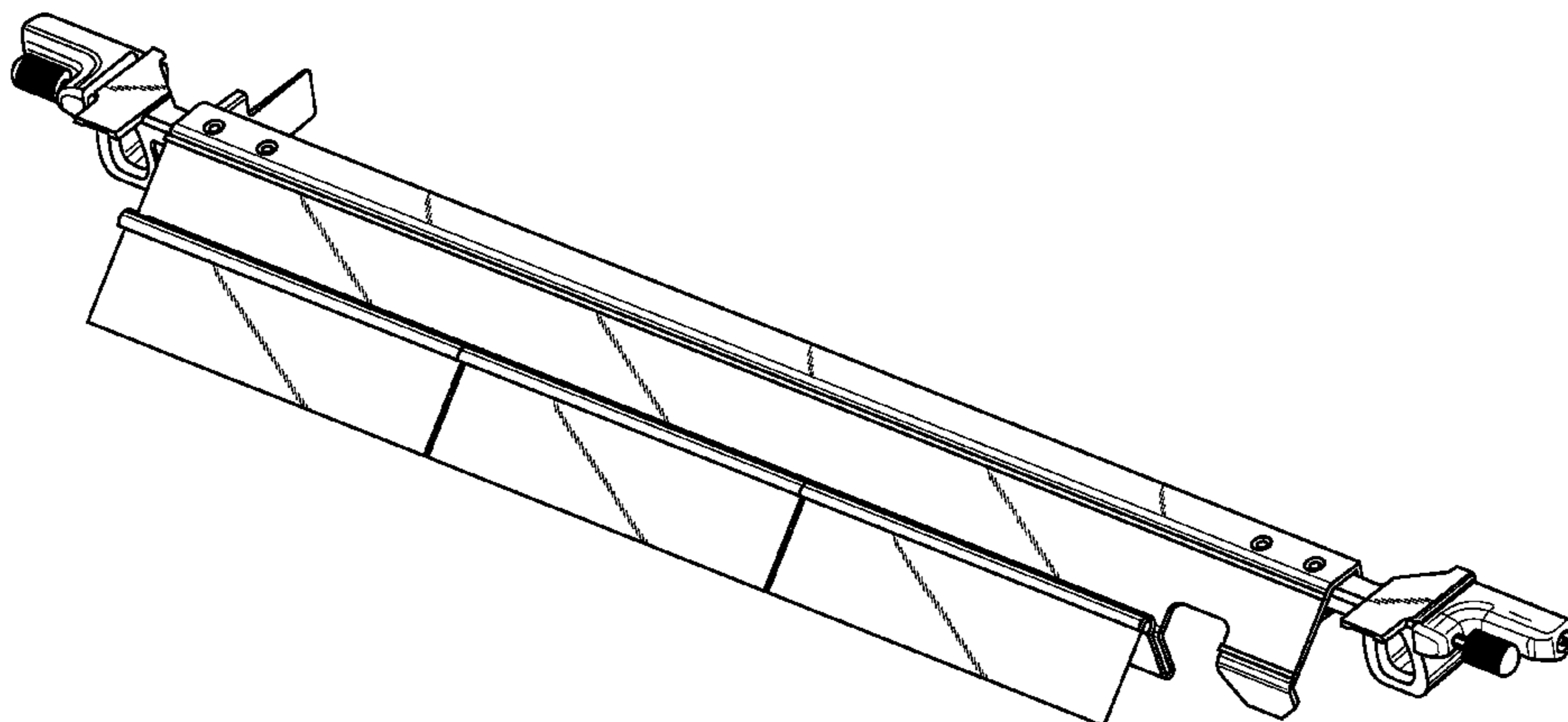
(57) **CLAIM**

The ornamental design for an outrigger for a jig apparatus, as
shown and described.

DESCRIPTION

FIG. 1 is a perspective view of the outrigger for a jig appara-
tus.
FIG. 2 is a front elevational view thereof.
FIG. 3 is a rear elevational view thereof.
FIG. 4 is a top view thereof.
FIG. 5 is a bottom view thereof.
FIG. 6 is a right side elevational view thereof; and,
FIG. 7 is a left side elevational view thereof.

1 Claim, 6 Drawing Sheets



US D575,312 S

U.S. PATENT DOCUMENTS						
			5,114,265	A	5/1992	Grisley
			5,123,463	A	6/1992	Grisley
			5,139,062	A	8/1992	Keller
			5,143,132	A	9/1992	Keller
			5,154,214	A	10/1992	Hagerman
			5,156,508	A	10/1992	Grisley
			5,174,693	A	12/1992	Lee et al.
			5,199,477	A	4/1993	Keller
			5,203,389	A	4/1993	Goodwin
			5,222,997	A	6/1993	Montgomery
			D342,747	S	12/1993	Garcia
			5,273,090	A *	12/1993	Klemma 144/136.9
			5,284,331	A	2/1994	Lee et al.
			5,285,831	A	2/1994	Woolgar
			5,289,861	A	3/1994	Hedrick
			5,305,812	A	4/1994	Ferencsik
			D348,195	S	6/1994	Higgins et al.
			5,318,082	A	6/1994	Von Hollen
			5,325,899	A	7/1994	Kochling
			5,337,641	A	8/1994	Duginske
			5,345,983	A	9/1994	De Abreu
			5,396,937	A	3/1995	Clausen
			5,421,384	A *	6/1995	Nuwordu 144/144.51
			5,423,357	A *	6/1995	Szymanski 144/144.52
			5,423,360	A	6/1995	Taylor et al.
			5,452,751	A	9/1995	Engler, III et al.
			5,458,171	A	10/1995	Ward
			5,492,160	A	2/1996	McCracken
			5,494,089	A	2/1996	Lubbe
			5,513,437	A	5/1996	Whyte
			5,533,556	A	7/1996	Whitney
			5,562,208	A	10/1996	Hasler et al.
			5,564,483	A	10/1996	Sacchi
			5,584,328	A	12/1996	Grisley
			5,598,878	A	2/1997	Wirth, Jr. et al.
			5,617,909	A	4/1997	Duginske
			5,630,455	A	5/1997	Julien
			5,647,707	A	7/1997	Poulin
			5,692,861	A	12/1997	Stottmann
			5,694,992	A	12/1997	Kikuchi
			5,694,994	A	12/1997	Engler, III et al.
			5,697,415	A	12/1997	Kozyrski et al.
			5,711,356	A *	1/1998	Grisley 144/144.51
			5,738,470	A	4/1998	Sugita
			5,738,966	A	4/1998	Okuno et al.
			5,779,407	A	7/1998	Tucker et al.
			5,807,033	A	9/1998	Benway
			5,809,631	A	9/1998	Poulin
			5,813,807	A	9/1998	Rogers
			5,816,300	A	10/1998	Rogers
			5,823,239	A	10/1998	Smith
			5,832,977	A	11/1998	Hampton
			5,853,035	A	12/1998	Rose
			5,862,848	A	1/1999	Beall
			5,868,183	A	2/1999	Kozyrski et al.
			5,893,402	A	4/1999	Darling
			5,908,061	A	6/1999	Blichmann
			5,918,652	A	7/1999	Tucker
			5,931,208	A	8/1999	Gifkins
			6,012,497	A	1/2000	Stottmann
			6,032,706	A	3/2000	Lear
			6,039,095	A	3/2000	Newman
			6,041,837	A	3/2000	Hanson
			6,050,559	A *	4/2000	de Souza 269/208
			6,061,921	A	5/2000	Adams et al.
			6,065,913	A	5/2000	Rogers
			6,068,036	A	5/2000	Cassidy
			6,076,575	A	6/2000	Harkness
			6,116,303	A	9/2000	Hampton
			6,116,826	A	9/2000	Benway
			6,138,372	A	10/2000	Newman
			6,148,879	A	11/2000	Liao
			6,158,487	A	12/2000	Licari

6,182,371	B1	2/2001	Newman	
6,206,060	B1	3/2001	Blake	
6,289,956	B1	9/2001	Shriver	
6,315,017	B1	11/2001	Stottmann	
6,357,194	B1	3/2002	Jones, Jr.	
6,363,982	B1	4/2002	Nixon, Jr.	
6,374,878	B1	4/2002	Mastley et al.	
6,401,772	B1	6/2002	Beitl	
6,470,930	B1	10/2002	Stottmann	
6,499,224	B1	12/2002	Asick	
6,516,842	B1	2/2003	Chang	
6,588,468	B1	7/2003	Tucker et al.	
6,607,016	B2	8/2003	Jones	
D481,402	S	10/2003	Jenkins et al.	
6,675,849	B1	1/2004	Lackley	
6,679,659	B1	1/2004	Lasch et al.	
6,705,810	B1	3/2004	Sugita	
6,736,173	B1	5/2004	Grisley et al.	
RE38,612	E	10/2004	Tucker et al.	
6,799,615	B2	10/2004	Smith	
6,834,730	B2	12/2004	Gass et al.	
6,851,900	B2	2/2005	Tillemans et al.	
6,899,152	B2	5/2005	Godfrey	
6,926,477	B2	8/2005	Allemann et al.	
D512,893	S *	12/2005	Cowan	D8/71
2001/0011564	A1	8/2001	Darling	
2002/0066497	A1	6/2002	Froggatt	
2003/0041709	A1	3/2003	Jones	
2003/0047239	A1 *	3/2003	Baculy	144/204.2
2003/0073395	A1	4/2003	Faccin et al.	
2003/0145705	A1	8/2003	Miller	
2003/0159758	A1	8/2003	Smith	
2003/0172993	A1	9/2003	Godfrey	
2003/0196726	A1 *	10/2003	Tucker et al.	144/372
2003/0230359	A1	12/2003	Schroeder	
2004/0050451	A1	3/2004	Dahlhoff	
2004/0126197	A1	7/2004	Allemann et al.	
2004/0149112	A1	8/2004	Snell	
2004/0206865	A1	10/2004	Chang	
2004/0250880	A1	12/2004	Dement	
2005/0022899	A1	2/2005	Chang	
2005/0056344	A1	3/2005	Friedlund	
2005/0056345	A1	3/2005	Duginske	
2005/0115639	A1	6/2005	Bagnall	
2005/0161357	A1	7/2005	Allan et al.	
2005/0236069	A1	10/2005	O'Brien	
2006/0138722	A1	6/2006	Webster et al.	
2006/0174681	A1 *	8/2006	Espinosa	72/705
2006/0283524	A1 *	12/2006	McDaniel et al.	144/144.51

FOREIGN PATENT DOCUMENTS

DE	3430496	A1	2/1986
DE	3517146	A1	11/1986
DE	4016834	A1	11/1991
DE	4403534	A1	8/1995
DE	19715422	A1	10/1998
DE	19715424	A1	10/1998
EP	0320869	A2	12/1987
FR	2843167	A1	7/2003
GB	2238752	A	6/1991

WO WO 02/057058 A2 7/2002

OTHER PUBLICATIONS

Vermont American, Dovetail Fixture Kit, Owner's Manual Model No. 23460, Dec. 1996, USA.

Fusso Machinery Corp., Easy-to-Operate Dovetail Machine, http://fusso.trustpass.alibaba.com/product/10770195/Easy_to_Operate_Dovetail_Machine.html, p. 2-3, (printed Nov. 17, 2005).

Akeda DC User Manual, © 2002-2005 Akeda Jigs Incorporated; Akeda Canada, P.O. Box 700, The Old Laughing Creek Steam Works, Brackendale BC, V0N 1H0, Canada; www.akeda.com; 26 pages.

Porter-Cable, Instruction Manual, Dovetail Jig, Models 4210 & 4212, May 27, 2005.

Porter-Cable Omnijig Dovetail Machines Instruction Manual, Model 7116; Part No. 888381-794; Porter-Cable Corporation, 4825 Highway 45 North, Jackson, TN 38305; <http://www.porter-cable.com>; 28 pages).

Porter-Cable, Omnijig Dovetail Machine, Parts List for 5116 Type 1, 201 2005.

One (1) image of Porter-Cable Model 517, Lock Face Templet; Porter-Cable Corporation, 4825 Highway 45 North, Jackson, TN 38305; Porter-Cable Catalog, PC-912, p. 137, 1995; 1 page.

One (1) image of Porter-Cable Model 517, Lock Face Templet; Porter-Cable Corporation, 4825 Highway 45 North, Jackson, TN 38305; http://media.ptg-online.com/20040310083334_517_72dpi_500.jpg; 1 page.

One (1) image of Porter-Cable Model 59381, Hinge Butt Templet Kit; Porter-Cable Corporation, 4825 Highway 45 North, Jackson, TN 38305; Porter-Cable Catalog, PC-912, p. 134, 1995; 1 page.

Two (2) images of Porter-Cable Model 59381, Hinge Butt Templet; Porter-Cable Corporation, 4825 Highway 45 North, Jackson, TN 38305; 2 pages.

Five (5) images of Porter-Cable Model 59370, Door Hinge Templet; Porter-Cable Corporation, 4825 Highway 45 North, Jackson, TN 38305; 5 pages.

Four (4) images of Rockwell Model 521, Stair Templet Without Clamping Devices; Power Tool Division/Rockwell International, Pittsburgh, PA 15208; 4 pages.

Three (3) images of Modern Woodworking by Willis H. Wagner; Illustrating use of Rockwell Model 521, Stair Templet With Clamp Devices; © 1980 The Goodheart-Willcox Co., Inc., pp. 252-253; 3 pages.

Trend MT Jig Review, http://benchmark.20m.com/reviews/TrendMortiseJig/TrendMT_Jig_Review.html; Nov. 09, 2005; 5 pages.

Leigh Versus Akeda Dovetail Jig, <http://benchmark.20m.com/articles/LeighVersusAkeda.html>; Nov. 09, 2005; 8 pages.

Katie Jig System Brochure; Hampton House Inc., P.O. Box 7103, Greenwood, IN 46142-6421; <http://www.katijig.com/KJ8PG.pdf>; U.S. Patent Nos. 5,832,977 and 6,116,303; Nov. 09, 2005; 8 pages.

The Katie Jig Manual, © 1997-2000 Hampton House, Inc. Hampton House Inc., P.O. Box 7103, Greenwood, IN 46142-6421; <http://www.katijig.com>; U.S. Patent No. 5,832,977; Nov. 09, 2005; 34 pages.

Porter-Cable Dovetail Machine, Parts List; Model 4112; Parts List No. 900488-0011; © 2000 Porter-Cable Corporation, 4825 Highway 45 North, Jackson, TN 38305; 1 page.

Porter-Cable Dovetail Fixture/Jig Instruction Manual, Model 4112; Part No. 900487-Sep. 12, 2003; © Porter-Cable Corporation, 4825 Highway 45 North, Jackson, TN 38305; 15 pages.

Porter-Cable Omnijig Dovetail Machine Parts List; Model 7116; Parts List No 876389-002; © 2000 Porter-Cable Corporation, 4825 Highway 45 North, Jackson, TN 38305; 3 pages.

* cited by examiner

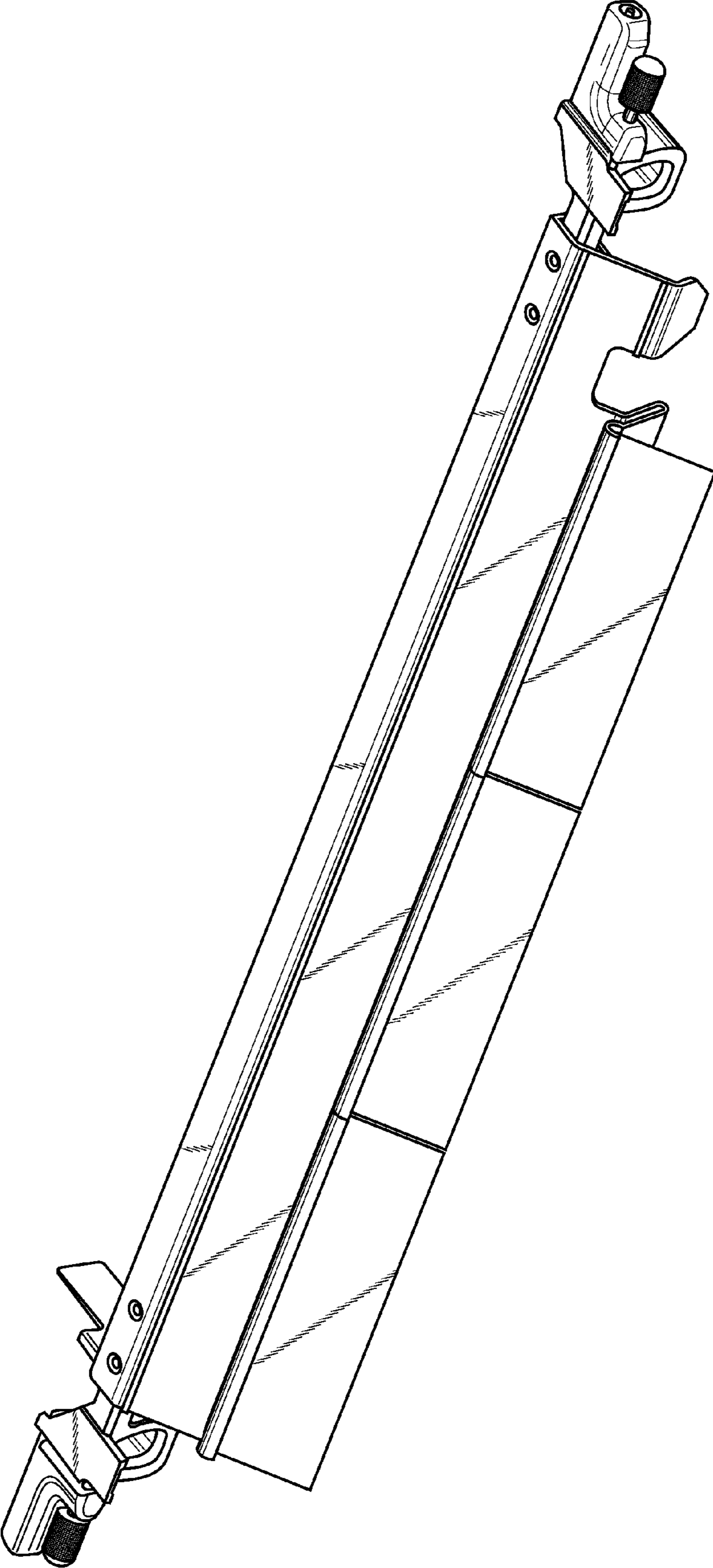


Fig. 1

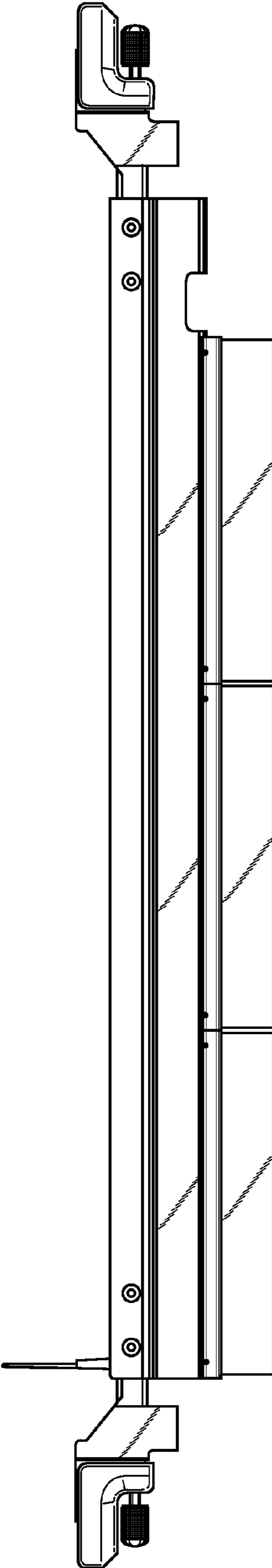


Fig. 2

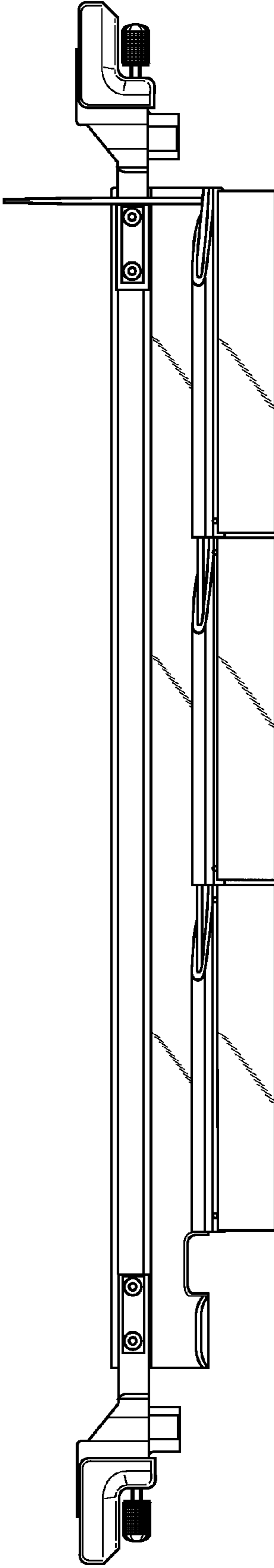


Fig. 3

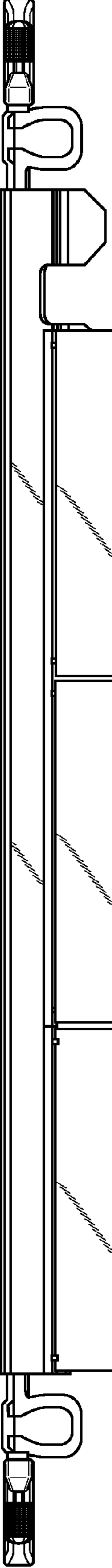


Fig. 4

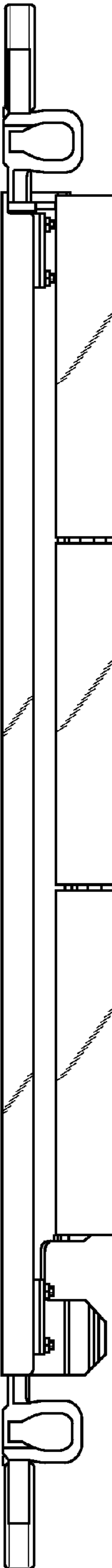


Fig. 5

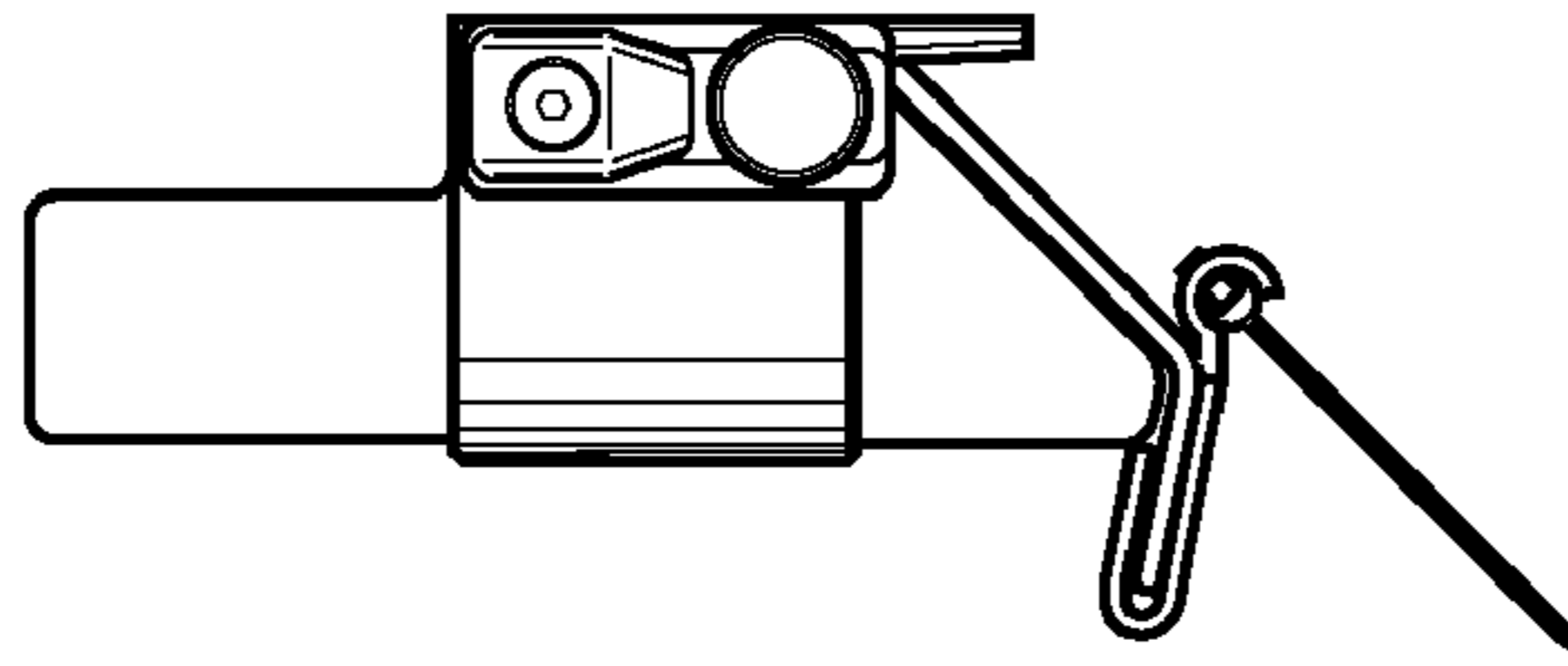


Fig. 6

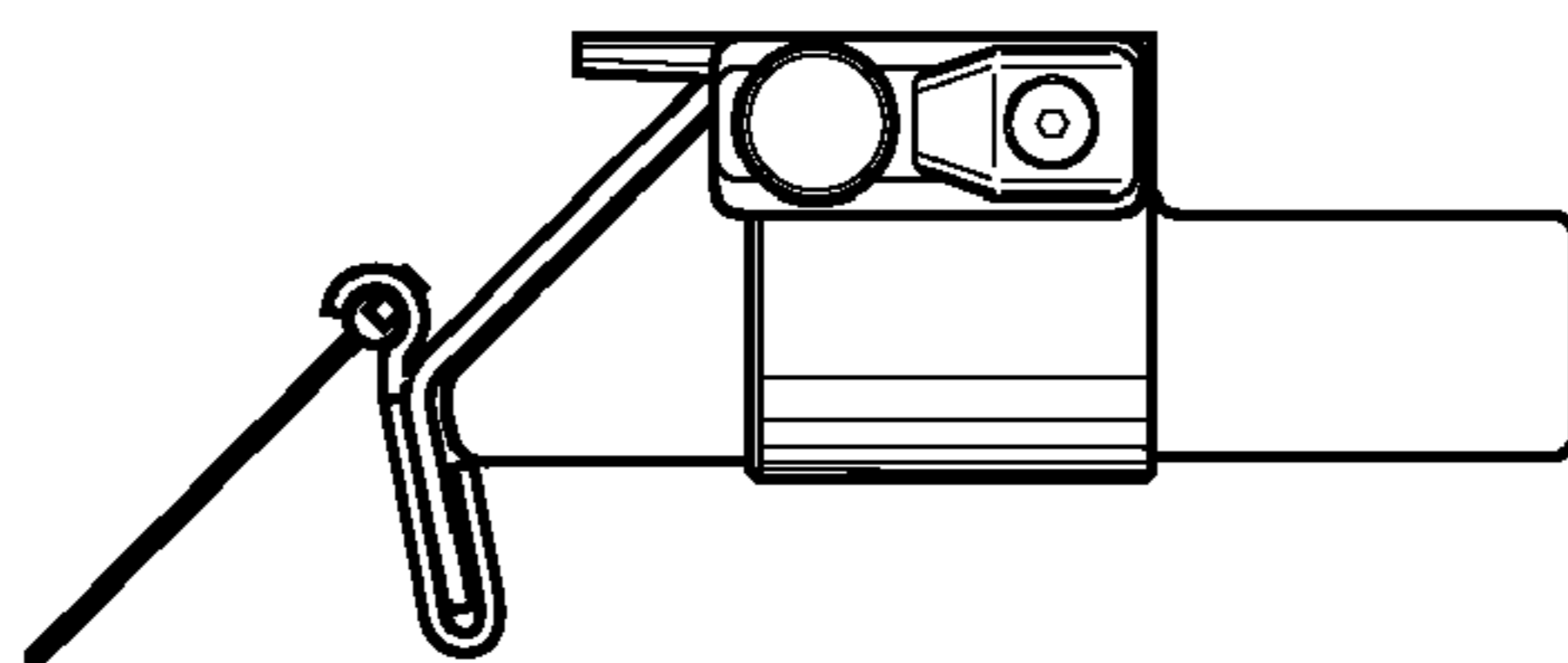


Fig. 7