



US00D575308S

(12) **United States Design Patent**
Plunk et al.

(10) **Patent No.:** **US D575,308 S**

(45) **Date of Patent:** **** Aug. 19, 2008**

(54) **AIR COMPRESSOR SHROUD**

(75) Inventors: **Tony Plunk**, Jackson, TN (US); **Tim Jackson**, Jackson, TN (US); **Thomas Hagans**, Jackson, TN (US); **Robert Westphal**, Jackson, TN (US); **James Patrick Hatch**, Pinson, TN (US)

(73) Assignee: **Midwest Air Technologies, Inc.**,
Lincolnshire, IL (US)

(**) Term: **14 Years**

(21) Appl. No.: **29/292,440**

(22) Filed: **Oct. 11, 2007**

(51) **LOC (8) Cl.** **15-02**

(52) **U.S. Cl.** **D15/9**

(58) **Field of Classification Search** D15/7-9;
D23/231, 232; 417/410.1, 359, 415-416,
417/234, 321, 265, 405

See application file for complete search history.

(56) **References Cited**

U.S. PATENT DOCUMENTS

D451,929 S	*	12/2001	Mencio	D15/9
D484,514 S	*	12/2003	Hsiao	D15/9
D497,917 S	*	11/2004	Harper et al.	D15/9
D500,769 S	*	1/2005	Montgomery	D15/7
D507,279 S	*	7/2005	Harper et al.	D15/9

D529,047 S	9/2006	Sharp
D529,048 S	9/2006	Sharp
D534,549 S	1/2007	Beecham et al.
D534,550 S	1/2007	Beecham
D534,926 S	1/2007	Beecham
D535,309 S	1/2007	Breecham et al.
D557,710 S	12/2007	Sharp

* cited by examiner

Primary Examiner—R. Seifert

(74) *Attorney, Agent, or Firm*—Greer, Burns & Crain, Ltd.

(57) **CLAIM**

The ornamental design for an air compressor shroud, as shown and described.

DESCRIPTION

FIG. 1 is an elevated perspective view of the present air compressor shroud;

FIG. 2 is a front view thereof;

FIG. 3 is a right side view thereof;

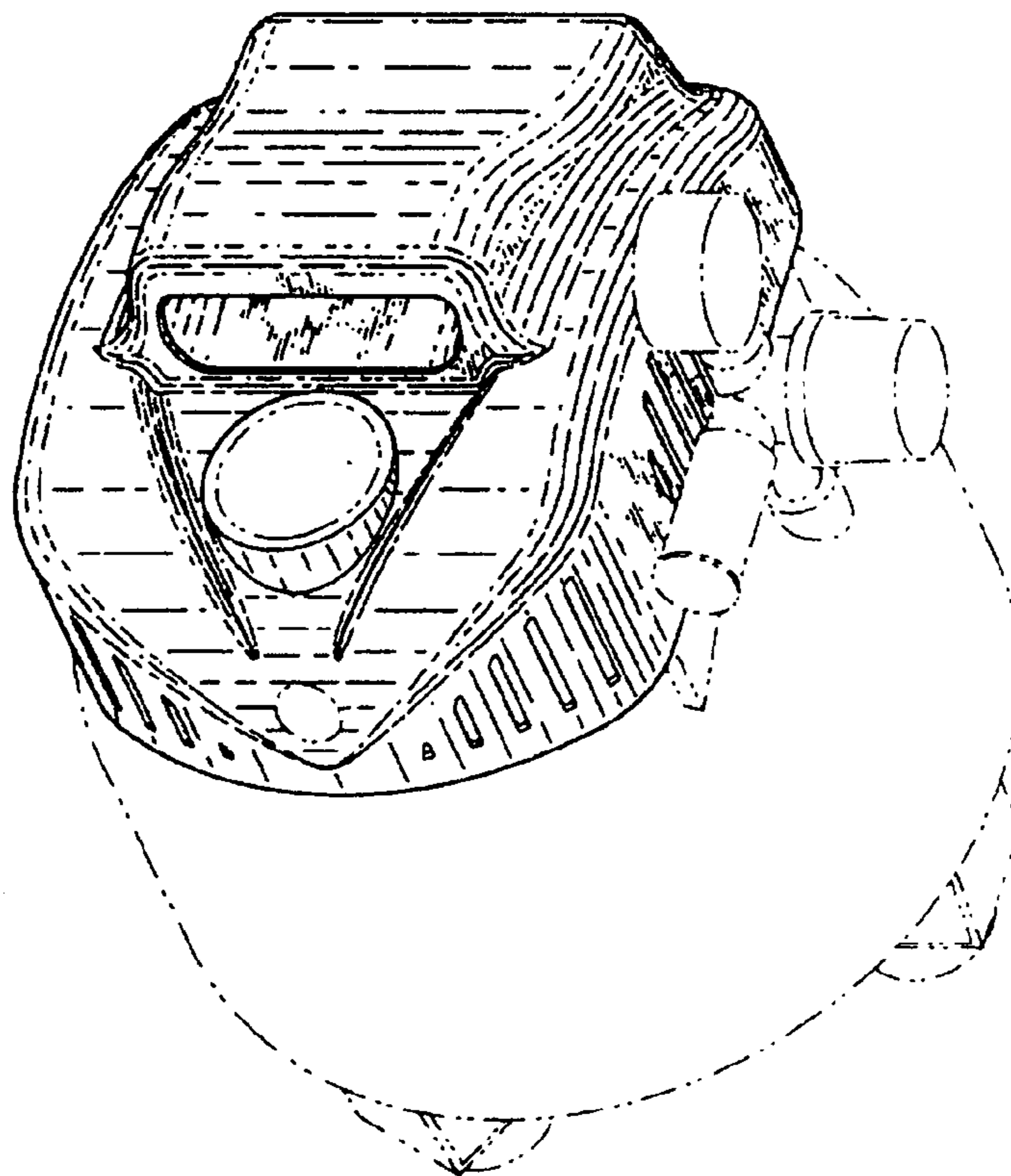
FIG. 4 is a rear view thereof;

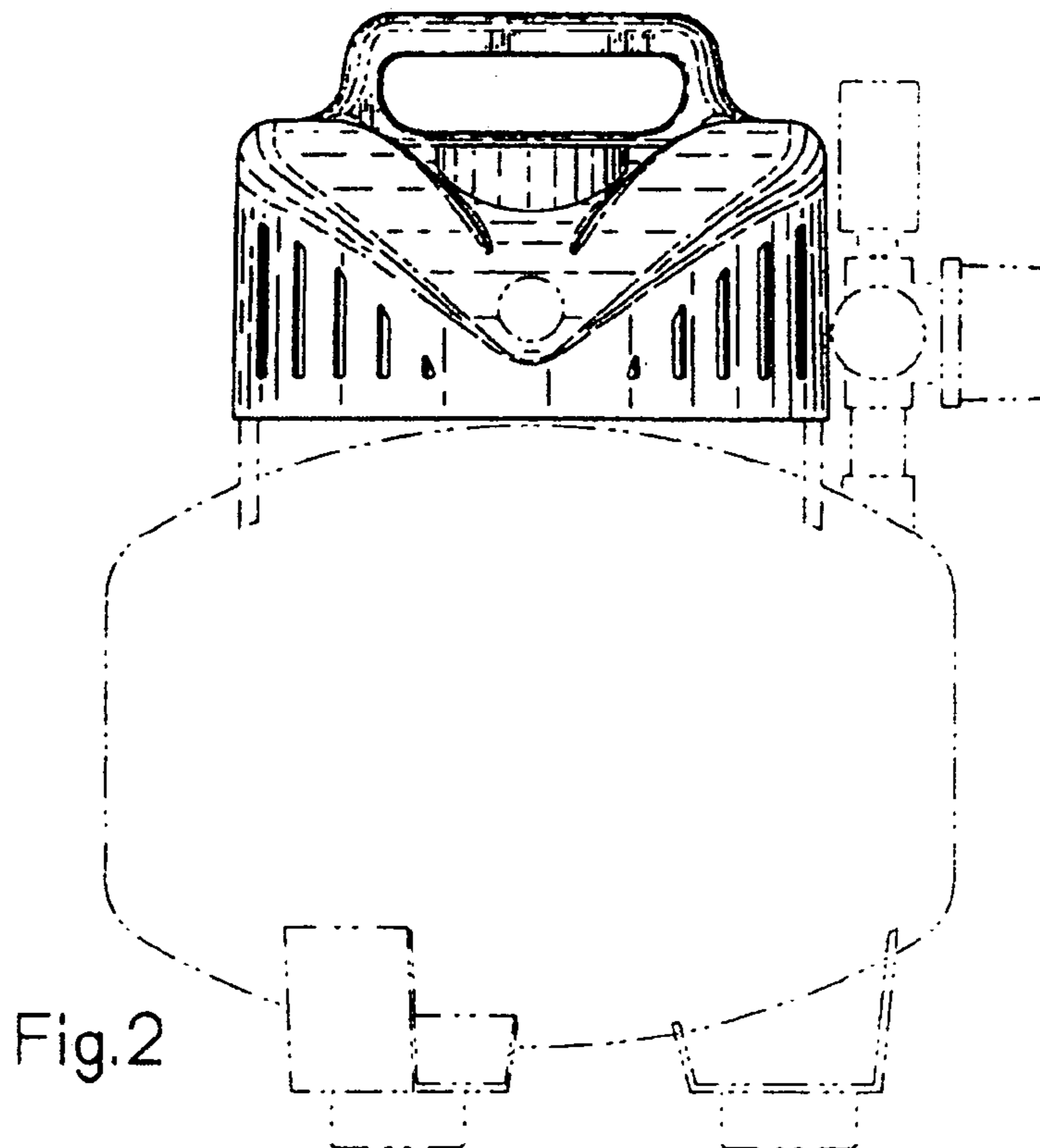
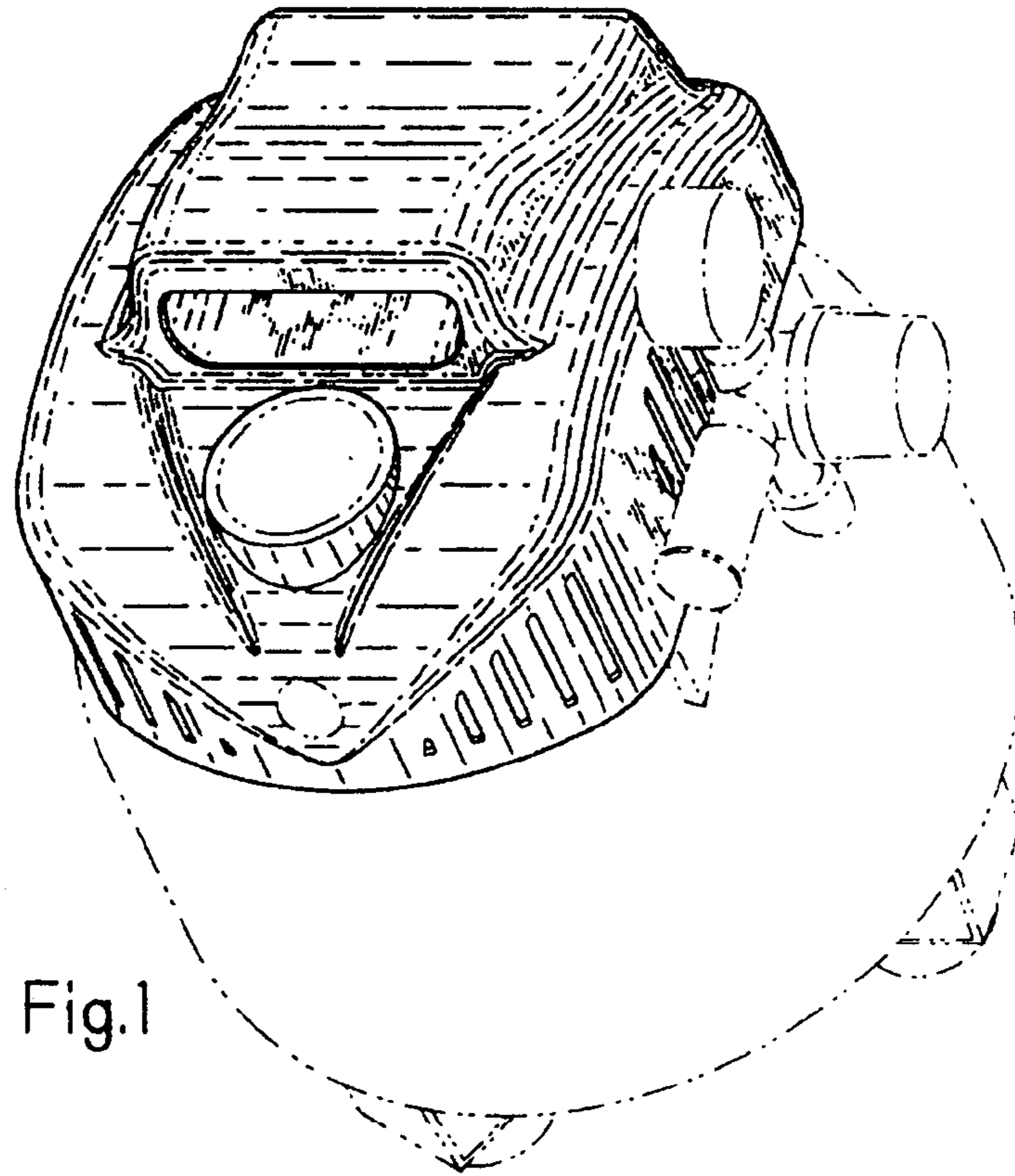
FIG. 5 is a left side view thereof; and,

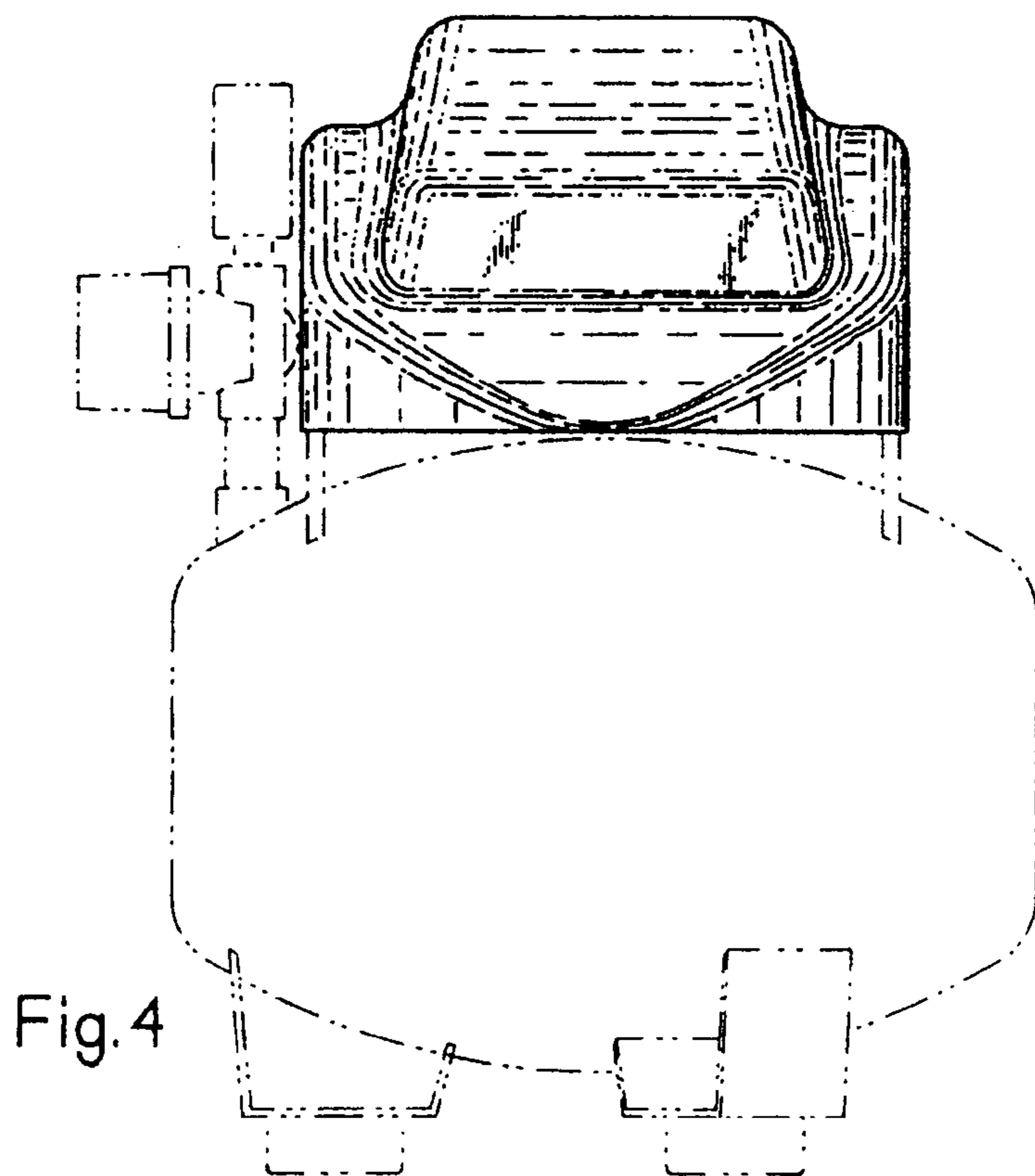
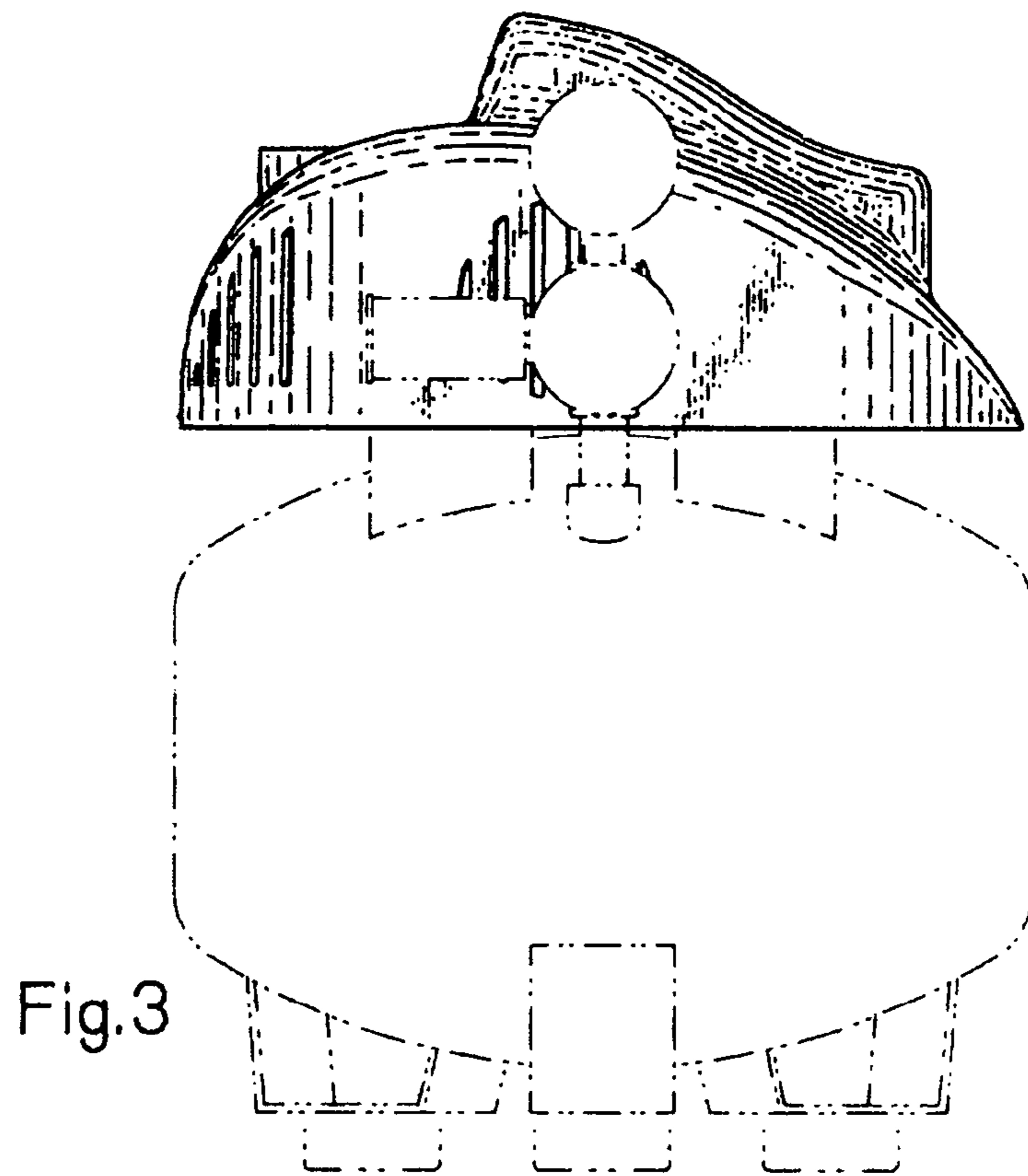
FIG. 6 is a top view thereof.

The broken line showing in FIGS. 1-6 is for illustrative purposes only and forms no part of the claimed design or a specified embodiment thereof.

1 Claim, 3 Drawing Sheets







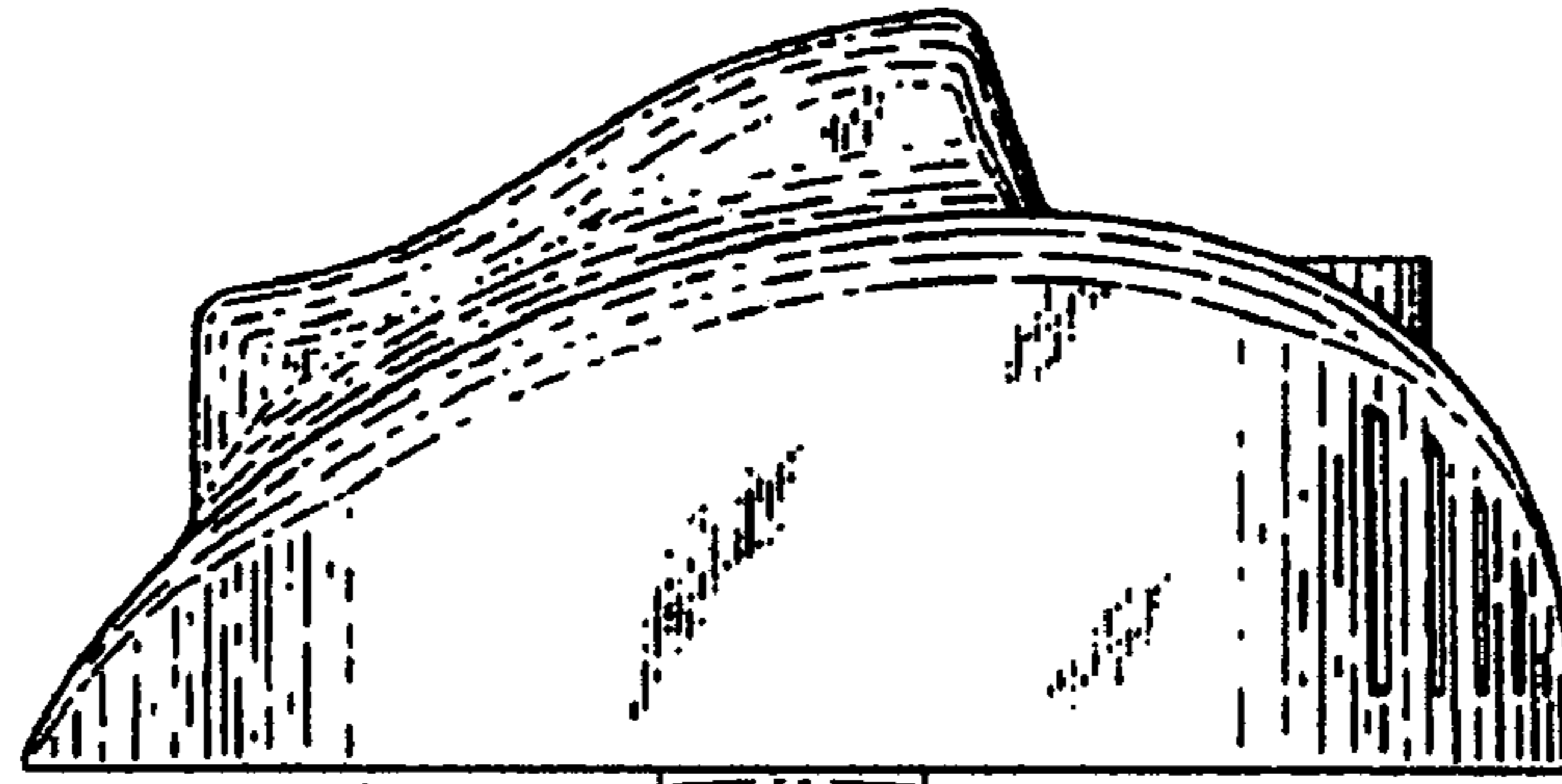


Fig. 5

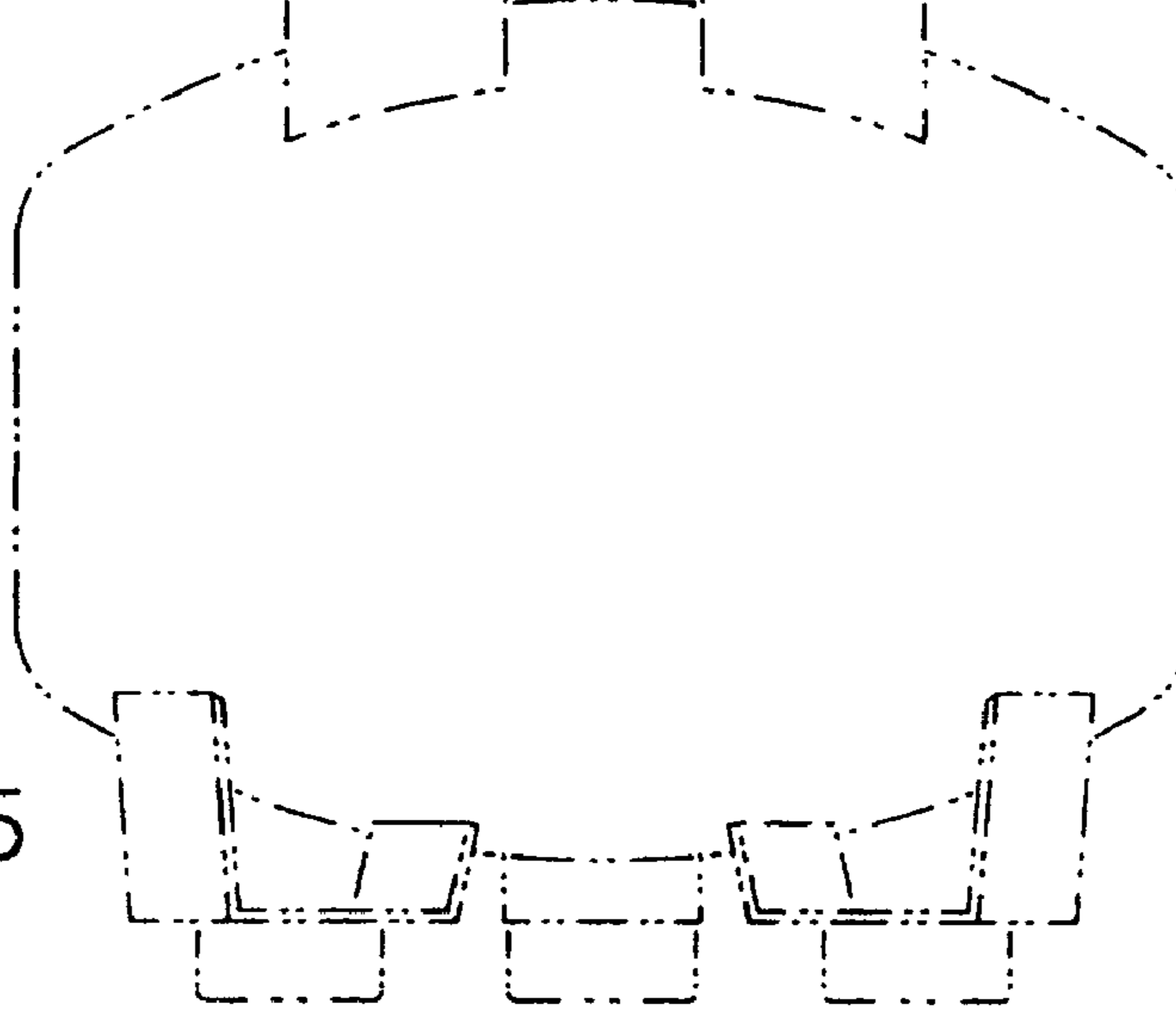


Fig. 6

