



US00D575307S

(12) **United States Design Patent**
Chu

(10) **Patent No.:** **US D575,307 S**

(45) **Date of Patent:** **** Aug. 19, 2008**

(54) **CAP FOR AIR COMPRESSOR**

D556,785 S * 12/2007 Chu D15/9

(76) Inventor: **Henry C. Chu**, 133N. Lemon St.,
Orange, CA (US) 92866

* cited by examiner

Primary Examiner—R. Seifert

(74) *Attorney, Agent, or Firm*—Charles E. Baxley

(**) Term: **14 Years**

(21) Appl. No.: **29/292,009**

(57) **CLAIM**

(22) Filed: **Sep. 25, 2007**

The ornamental design for a cap for air compressor, as shown and described.

(51) **LOC (8) Cl.** **15-02**

(52) **U.S. Cl.** **D15/9**

(58) **Field of Classification Search** D15/7-9;
D23/231, 232; 417/410.1, 359, 415-416,
417/234, 321, 265, 405

See application file for complete search history.

DESCRIPTION

FIG. 1 is a front perspective view of a cap for air compressor showing my new design;

FIG. 2 is a front elevational view thereof;

FIG. 3 is a rear elevational view thereof;

FIG. 4 is a top plan view thereof;

FIG. 5 is a bottom plan view thereof;

FIG. 6 is a left side elevational view thereof;

FIG. 7 is a right side elevational view thereof; and,

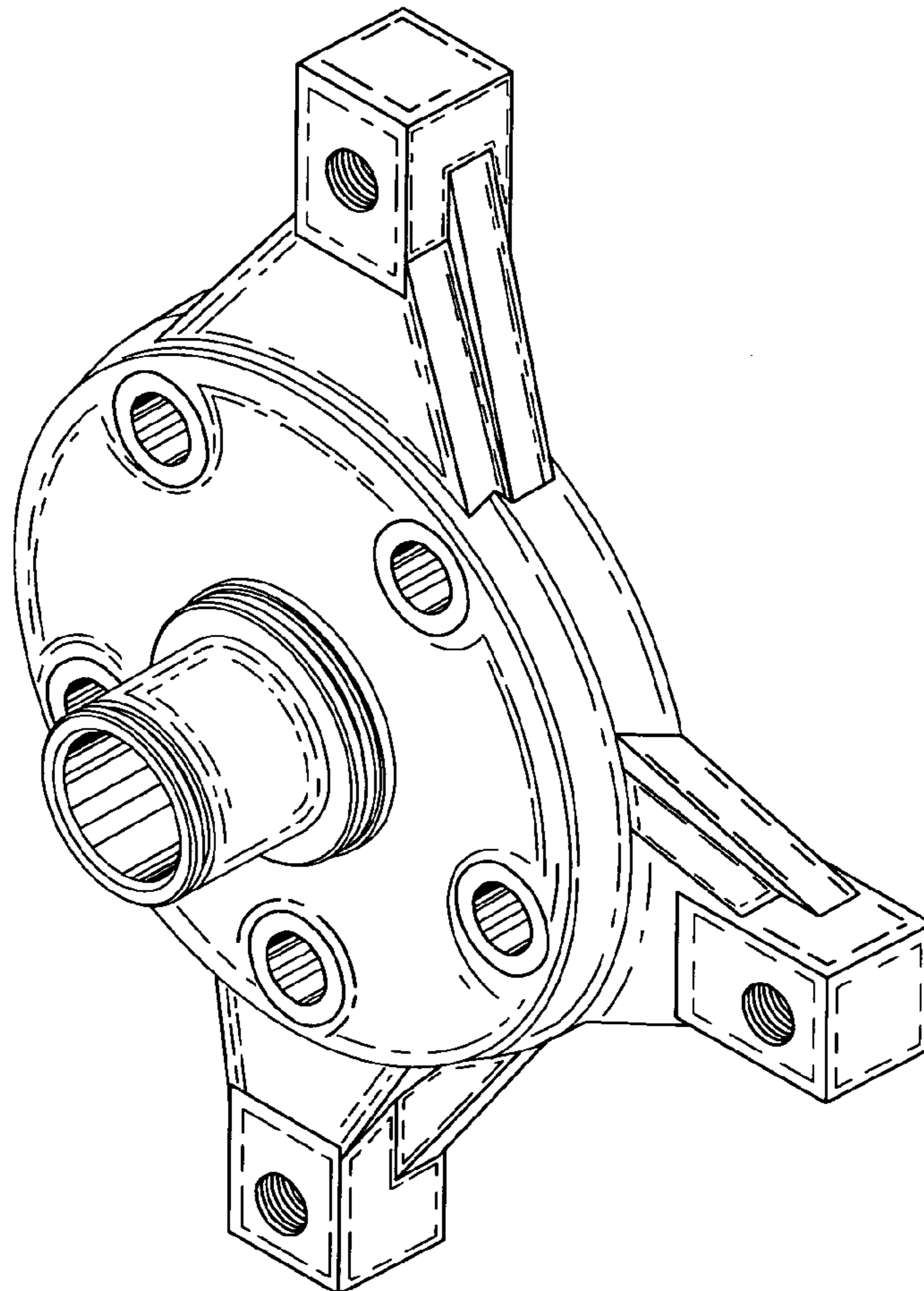
FIG. 8 is a rear perspective view thereof.

(56) **References Cited**

U.S. PATENT DOCUMENTS

| | | | | | |
|------------|---|---------|-------|-------|-------|
| D529,049 S | * | 9/2006 | Chu | | D15/9 |
| D529,050 S | * | 9/2006 | Chu | | D15/9 |
| D529,927 S | * | 10/2006 | Chu | | D15/9 |
| D537,843 S | * | 3/2007 | Chu | | D15/9 |
| D554,666 S | * | 11/2007 | Chu | | D15/9 |
| D555,670 S | * | 11/2007 | Hwang | | D15/9 |

1 Claim, 5 Drawing Sheets



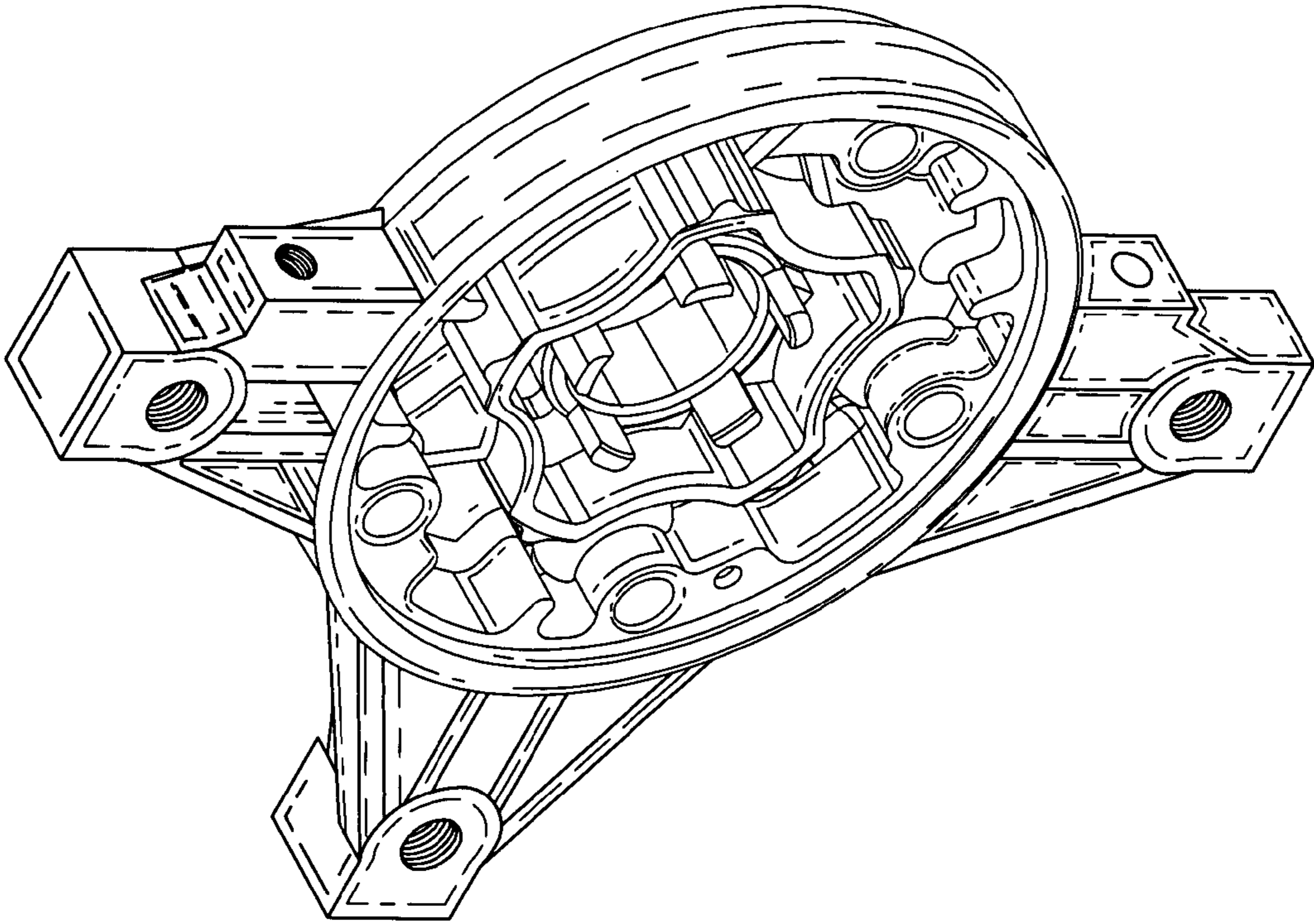


FIG. 8

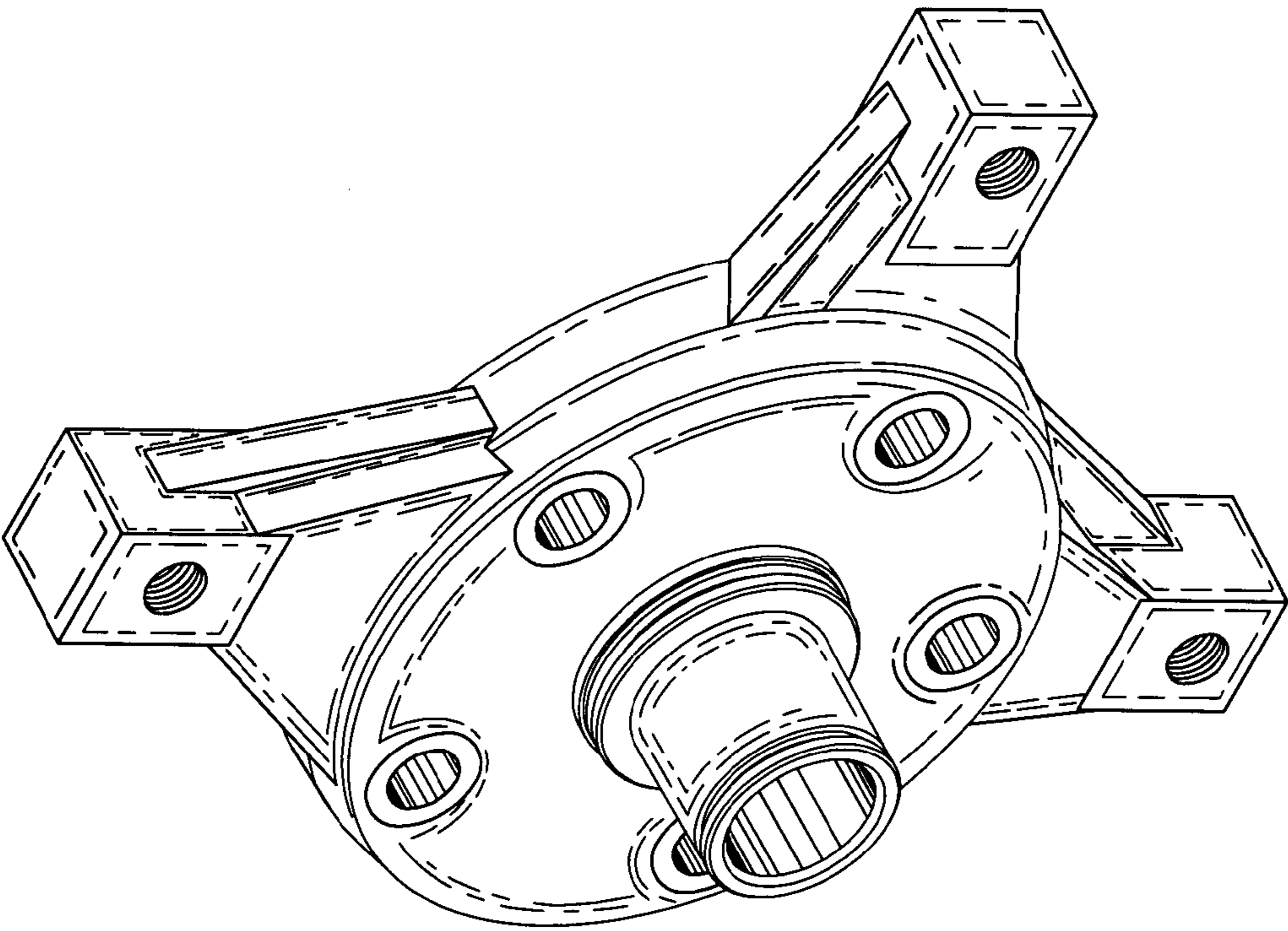


FIG. 1

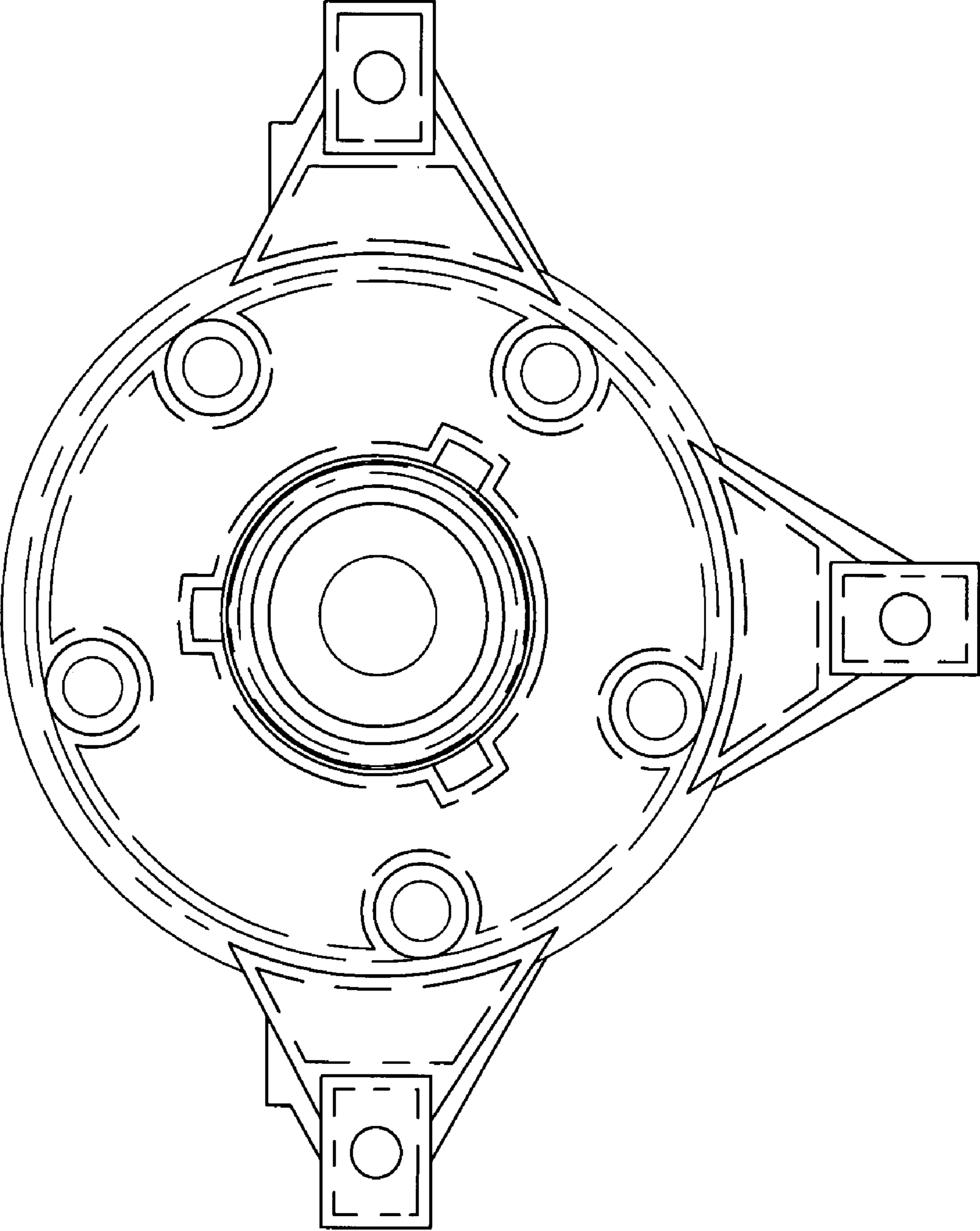


FIG. 2

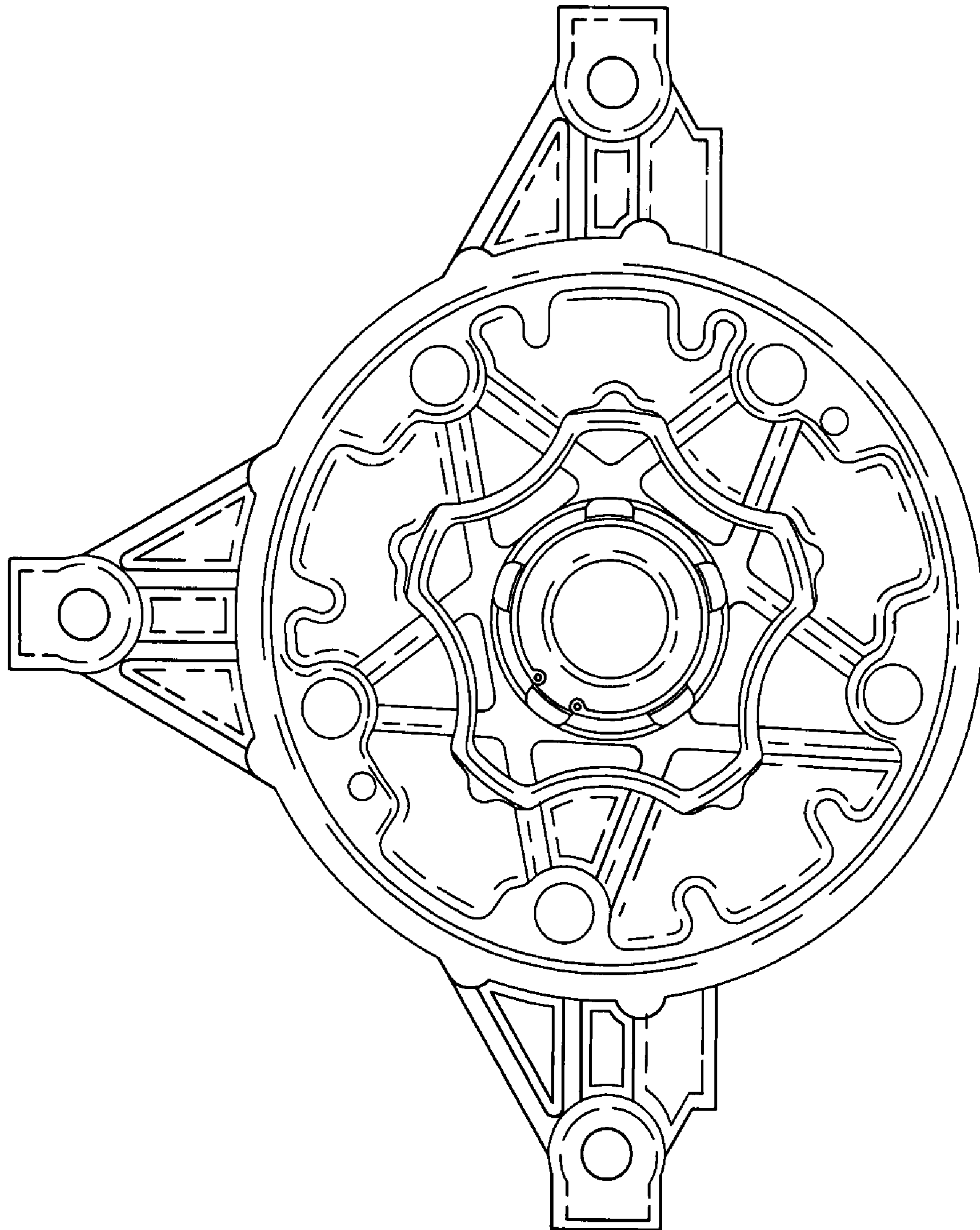


FIG. 3

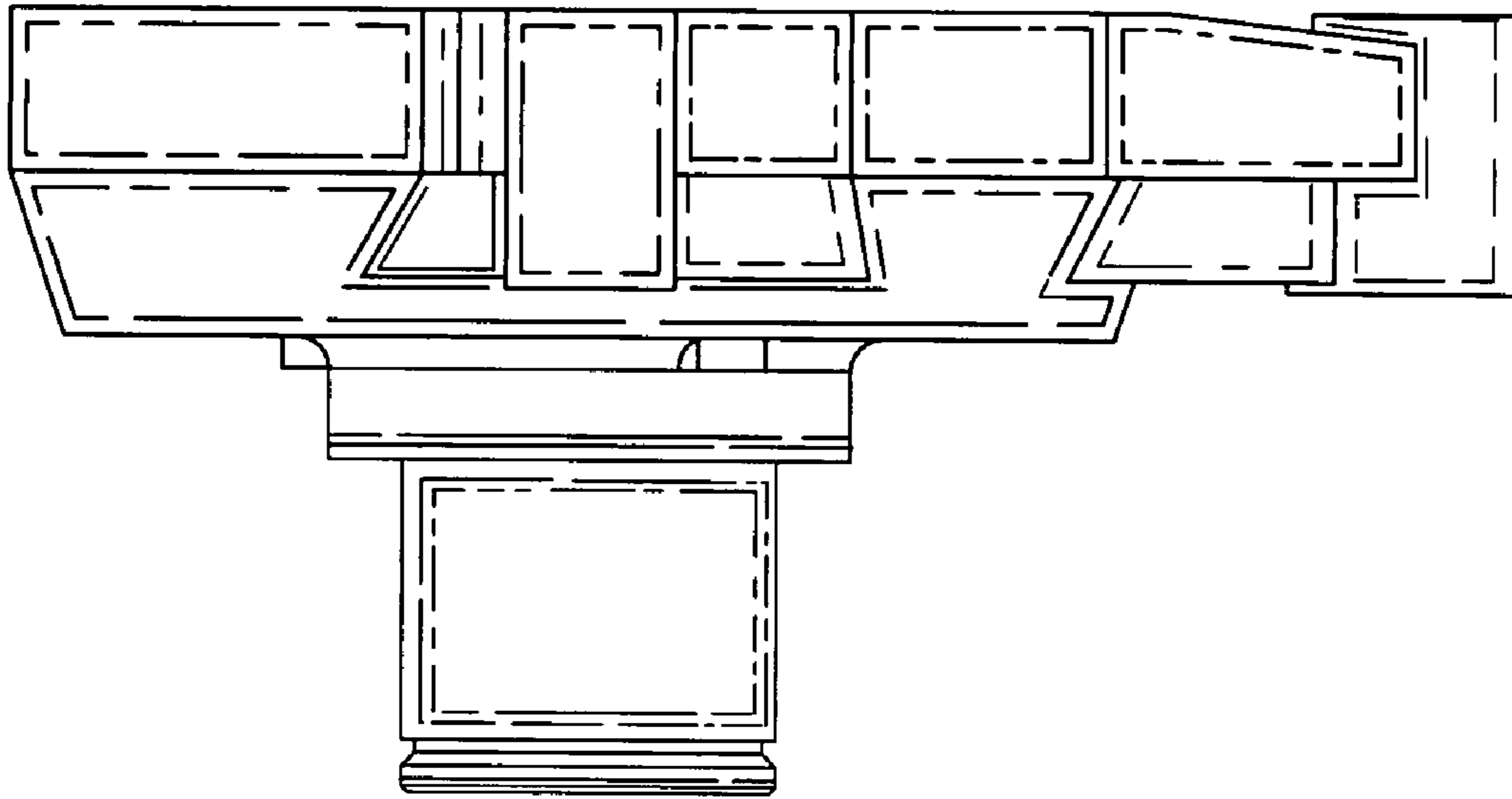


FIG. 4

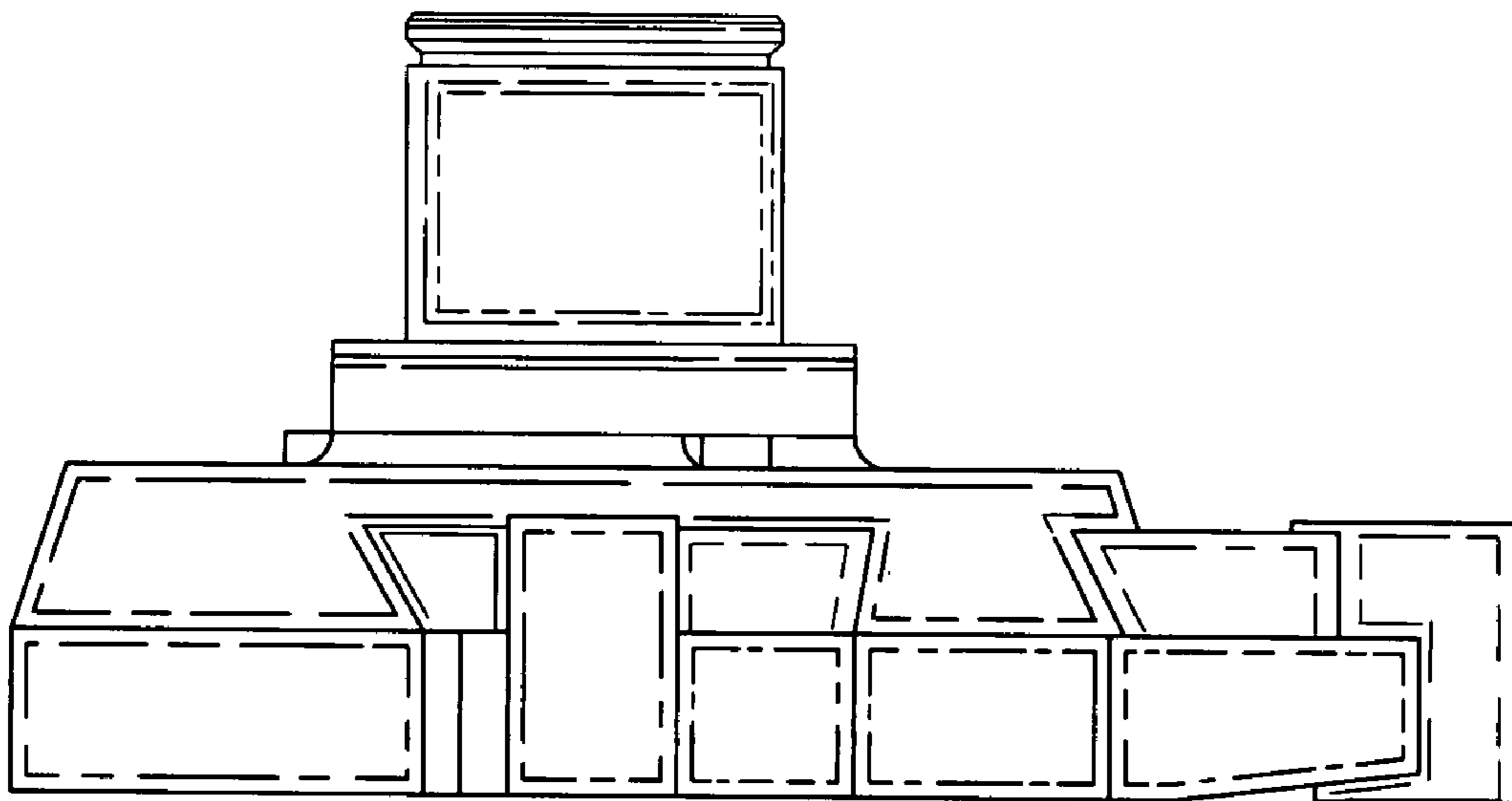


FIG. 5

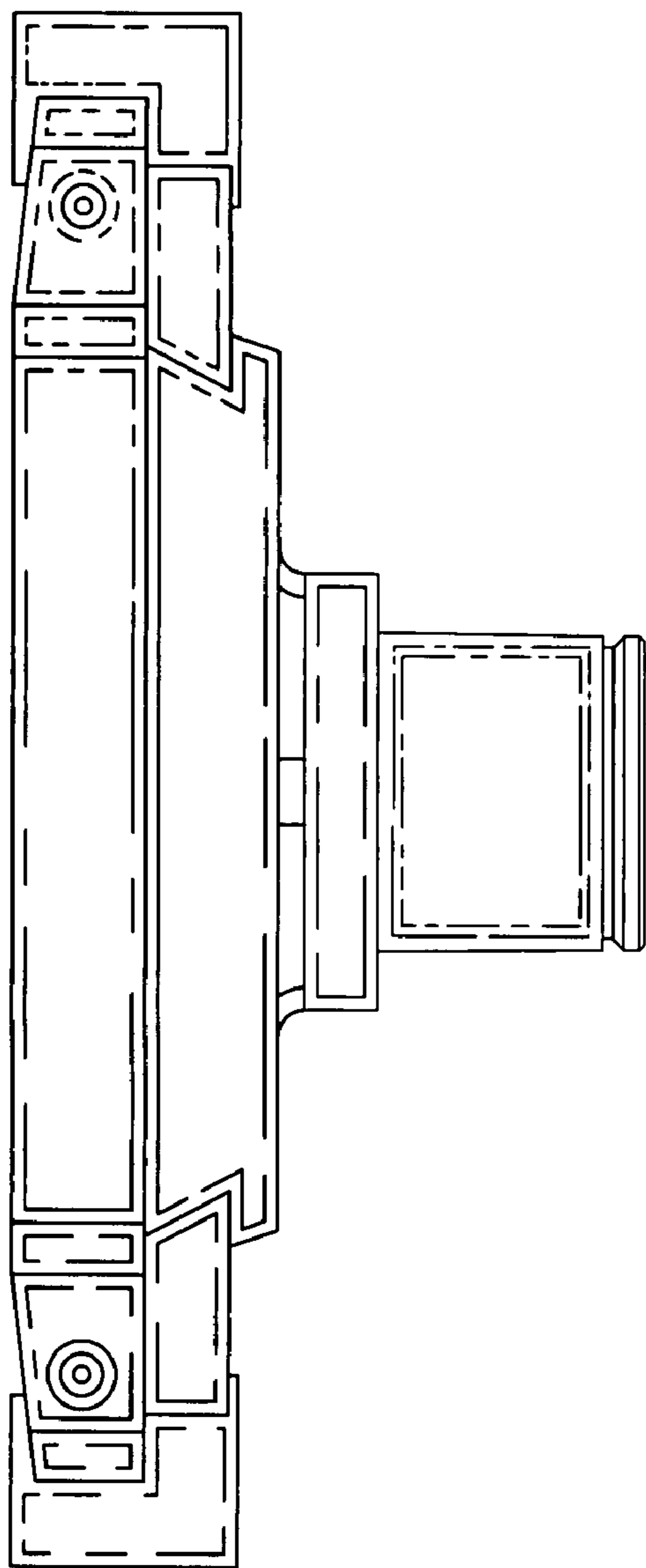


FIG. 6

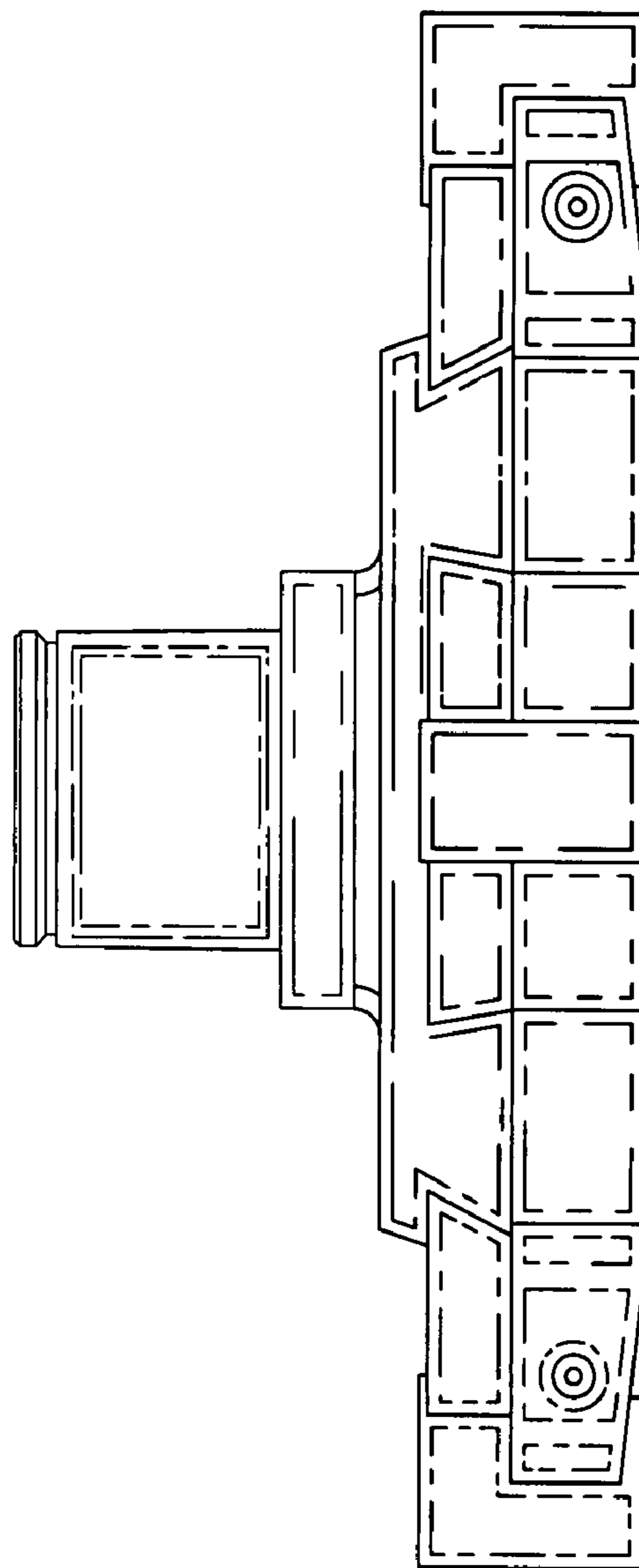


FIG. 7