



US00D575306S

(12) **United States Design Patent**  
**Chu**

(10) **Patent No.:** **US D575,306 S**

(45) **Date of Patent:** **\*\* Aug. 19, 2008**

(54) **CAP FOR AIR COMPRESSOR**

*Primary Examiner*—R. Seifert

(74) *Attorney, Agent, or Firm*—Charles E. Baxley

(76) **Inventor:** **Henry C. Chu**, 133 N. Lemon St.,  
Orange, CA (US) 92866

(57) **CLAIM**

(\*\*) **Term:** **14 Years**

The ornamental design for a cap for air compressor, as shown and described.

(21) **Appl. No.:** **29/288,629**

(22) **Filed:** **Jun. 18, 2007**

**DESCRIPTION**

(51) **LOC (8) Cl.** ..... **15-02**

FIG. 1 is a front perspective view of a cap for air compressor showing my new design;

(52) **U.S. Cl.** ..... **D15/9**

FIG. 2 is a front elevational view thereof;

(58) **Field of Classification Search** ..... D15/7-9;  
D23/231, 232; 417/410.1, 359, 415-416,  
417/234, 321, 265, 405

FIG. 3 is a rear elevational view thereof;

See application file for complete search history.

FIG. 4 is a top plan view thereof;

(56) **References Cited**

FIG. 5 is a bottom plan view thereof;

**U.S. PATENT DOCUMENTS**

FIG. 6 is a left side elevational view thereof;

D529,049 S \* 9/2006 Chu ..... D15/9

FIG. 7 is a right side elevational view thereof;

D529,050 S \* 9/2006 Chu ..... D15/9

FIG. 8 is a rear elevational view thereof; and,

D529,927 S \* 10/2006 Chu ..... D15/9

FIG. 9 is a rear elevational view thereof, the bulges depicted by means of broken lines being for illustrative purposes only and forming no part of the claimed design.

D537,843 S \* 3/2007 Chu ..... D15/9

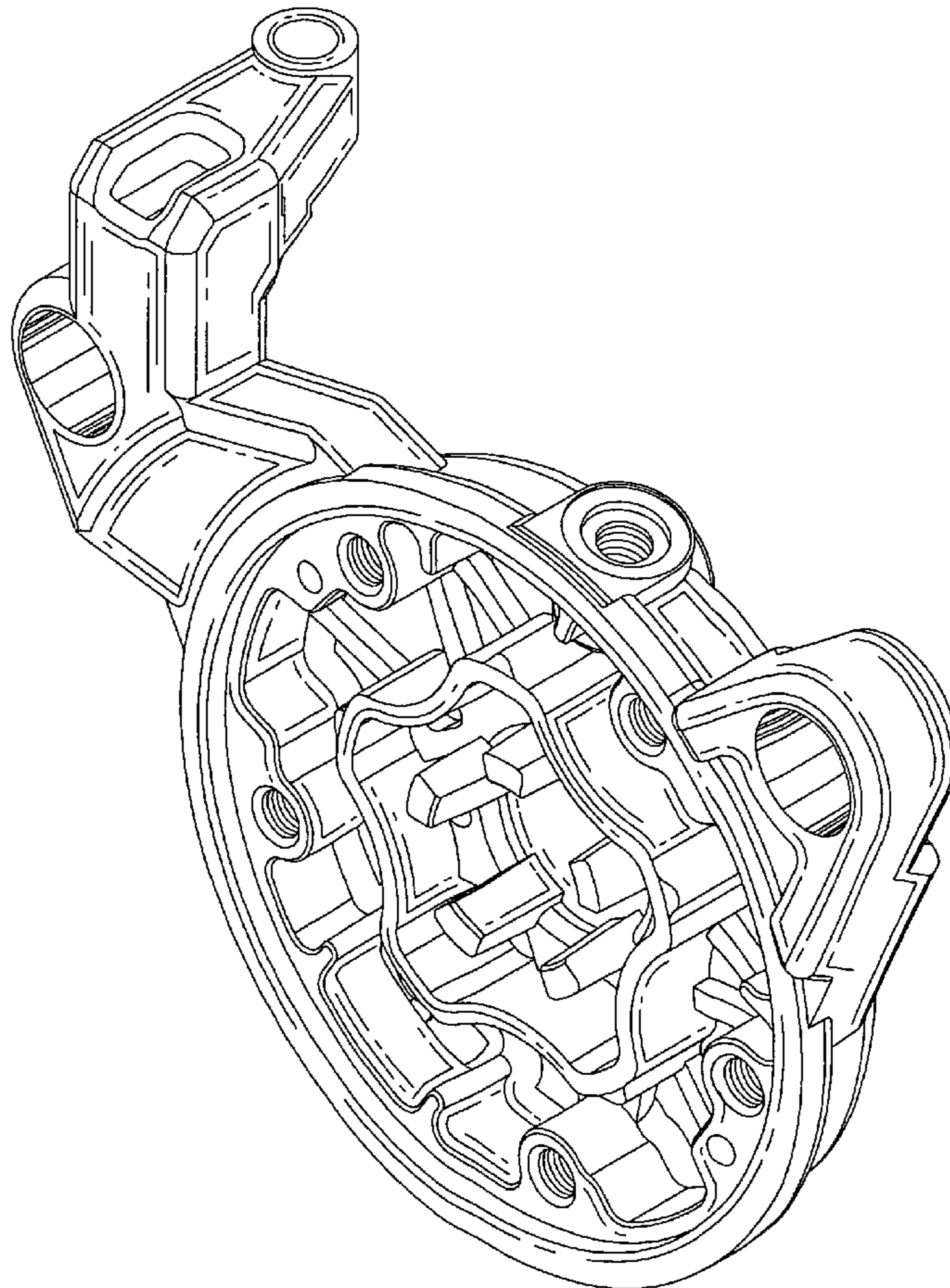
D554,666 S \* 11/2007 Chu ..... D15/9

D555,670 S \* 11/2007 Hwang ..... D15/9

D556,785 S \* 12/2007 Chu ..... D15/9

\* cited by examiner

**1 Claim, 7 Drawing Sheets**



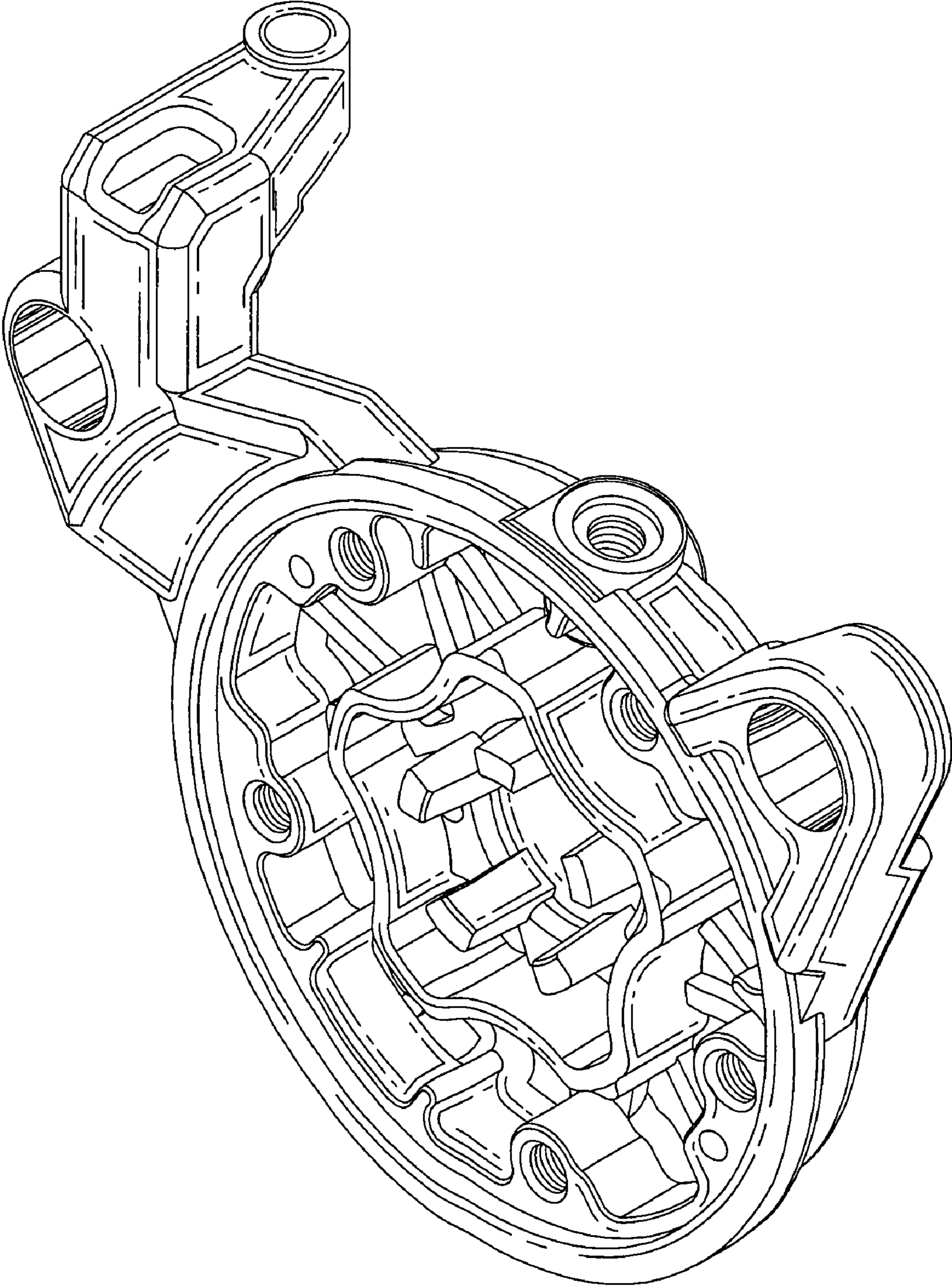


FIG. 1



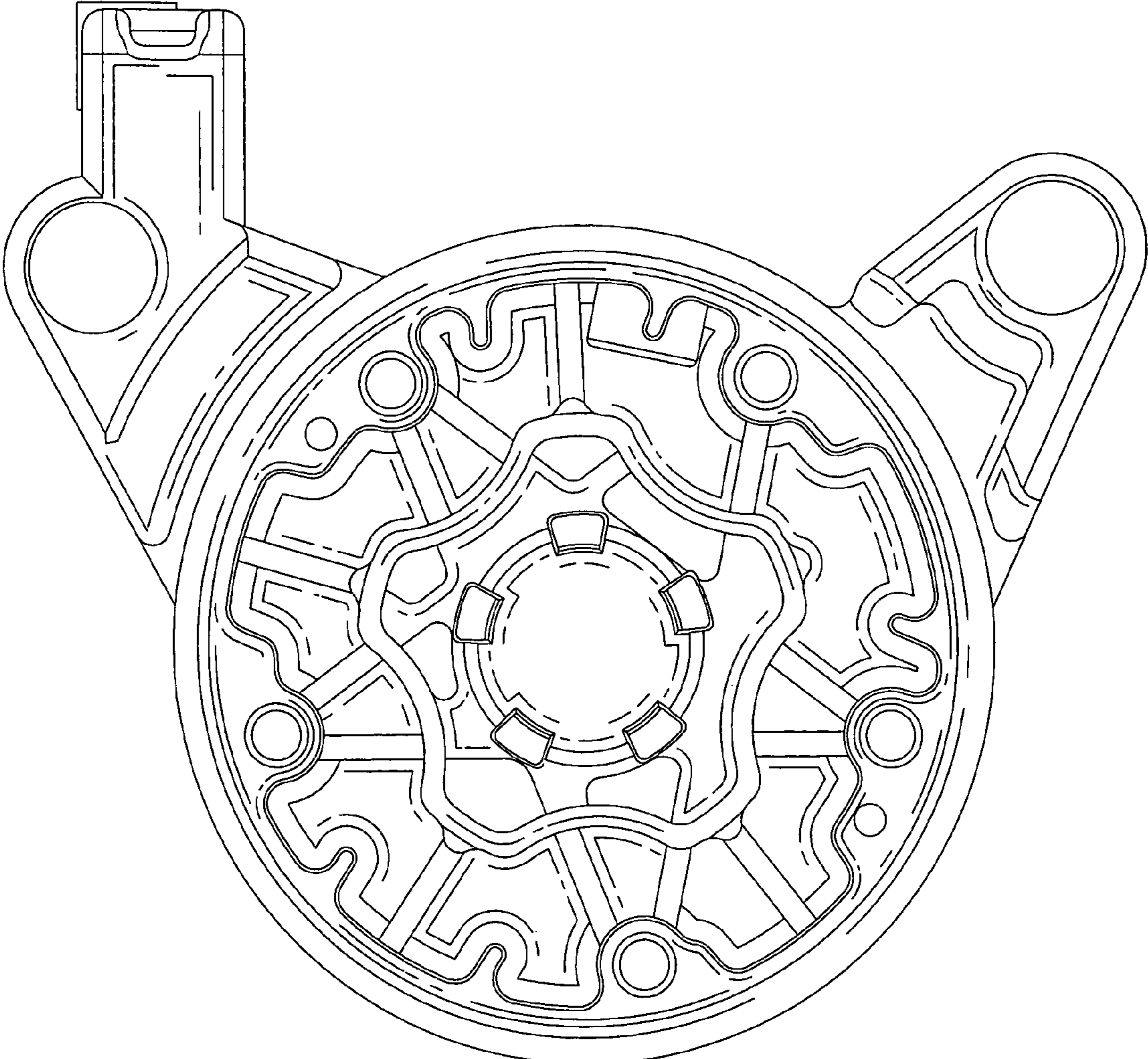


FIG. 2

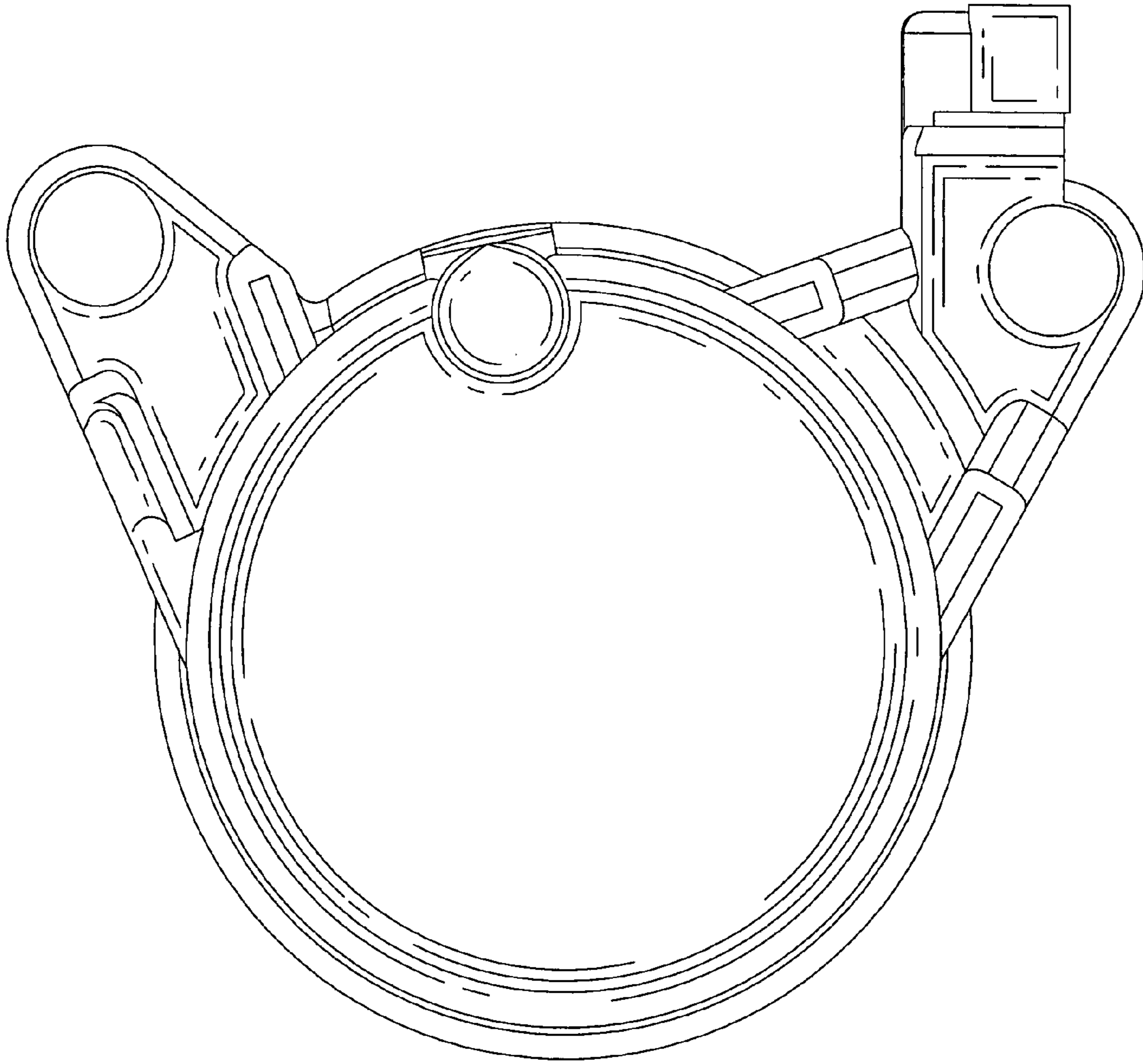


FIG. 3

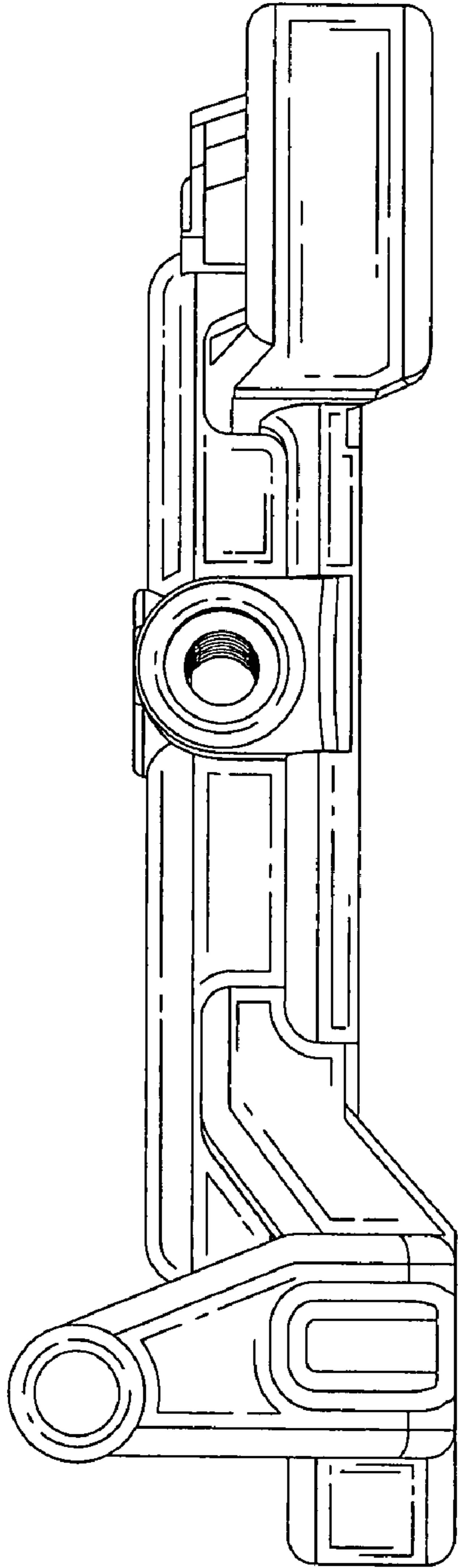


FIG. 4

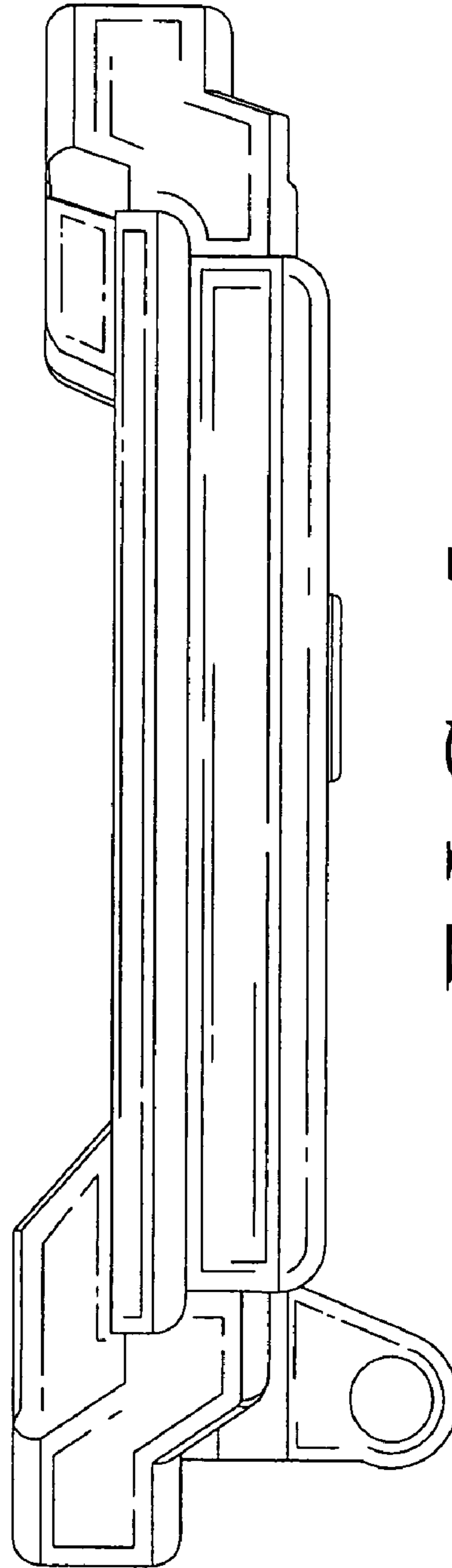


FIG. 5

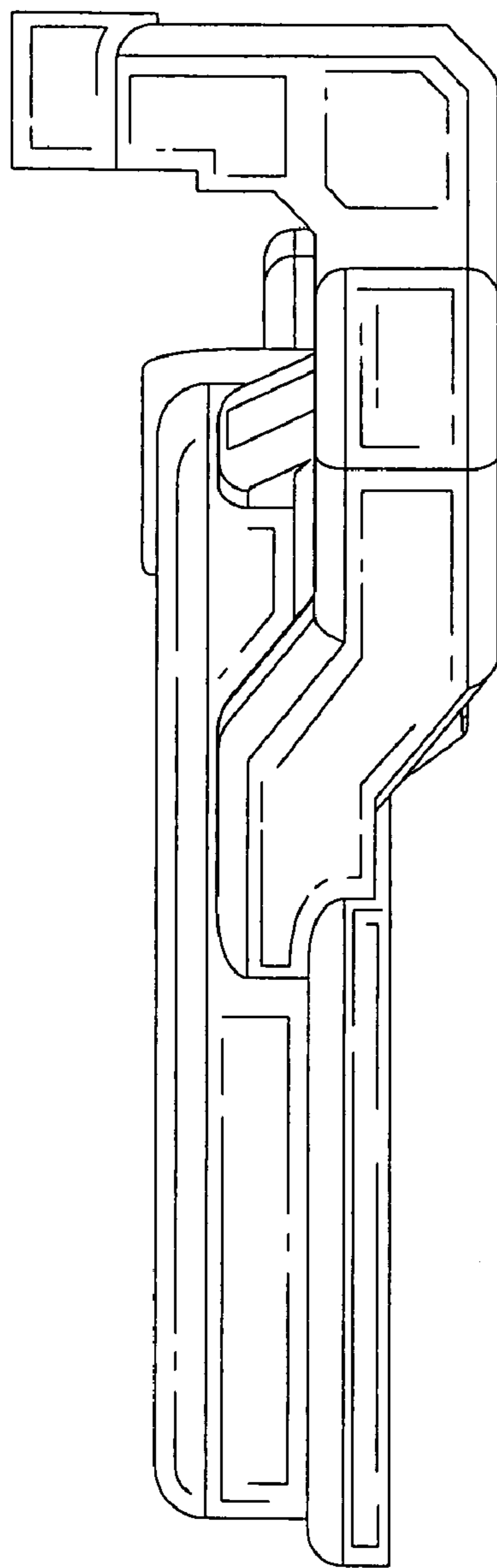


FIG. 6

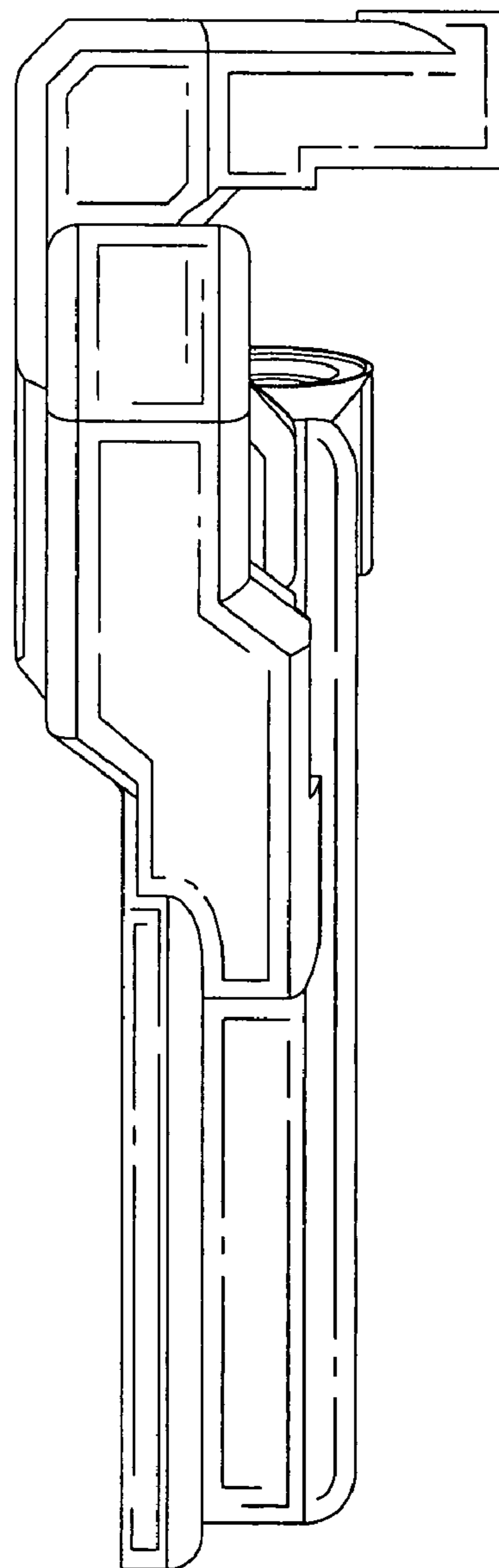


FIG. 7

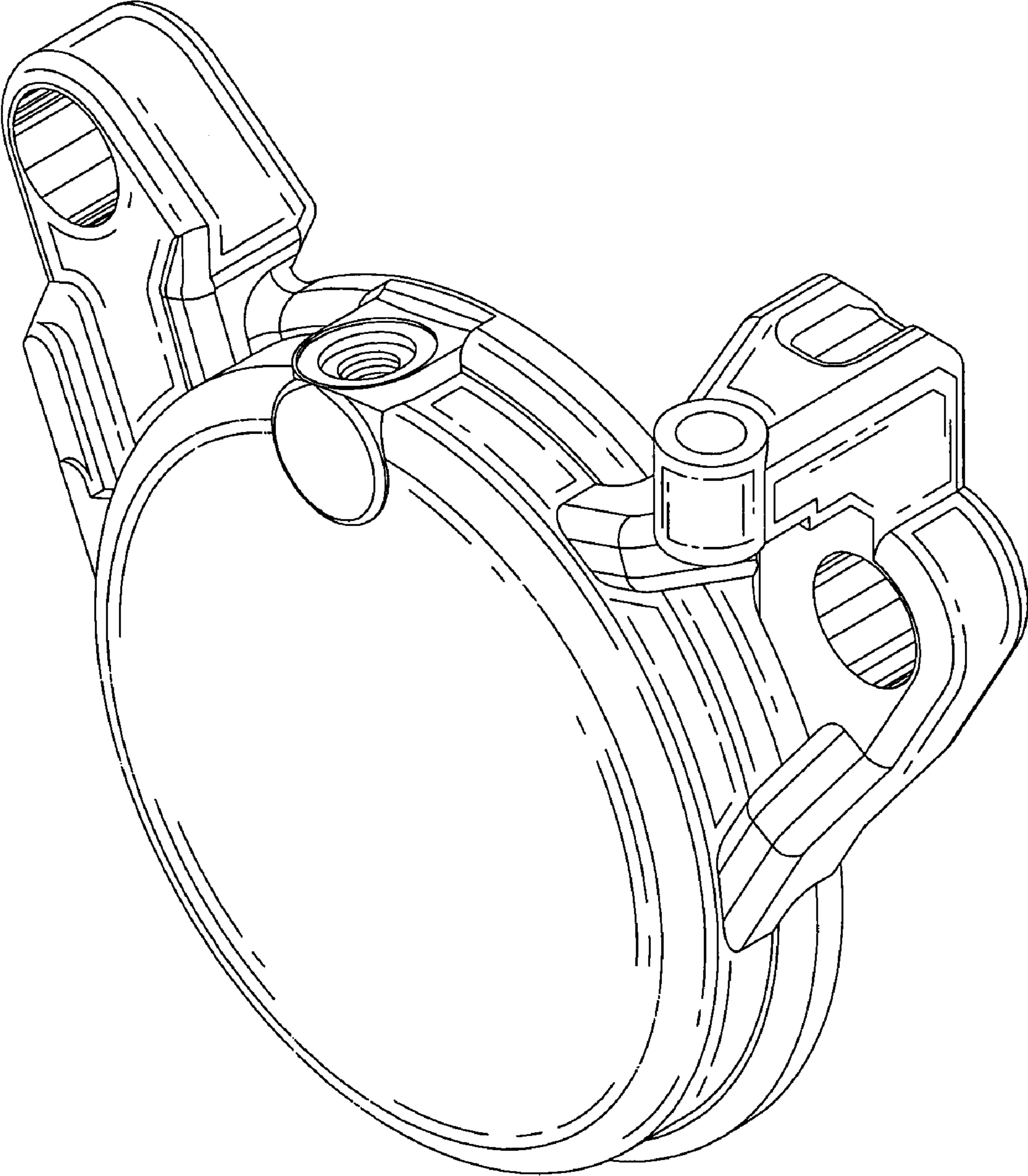


FIG. 8



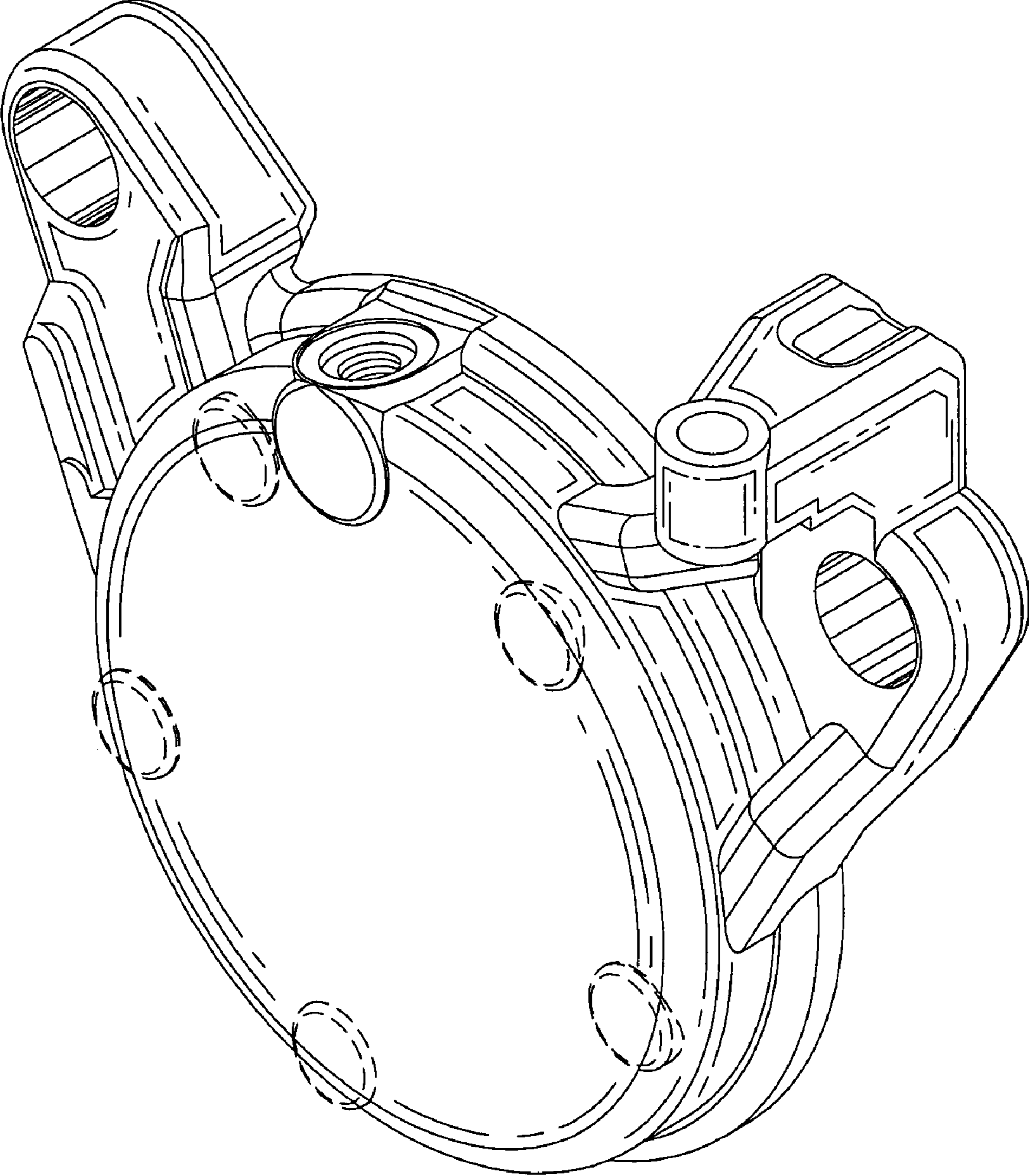


FIG. 9