



US00D575294S

(12) **United States Design Patent**  
**Stenhouse et al.**

(10) **Patent No.:** **US D575,294 S**  
(45) **Date of Patent:** **\*\* Aug. 19, 2008**

(54) **LARGE LOW PROFILE TILTABLE MOUNT FOR FLAT PANEL DISPLAY**

(75) Inventors: **Brett Stenhouse**, Phoenix, AZ (US); **Dave Anderson**, Mesa, AZ (US); **Flavio Ly Hau**, Maricopa, AZ (US); **Zach Eyman**, Phoenix, AZ (US); **Tom Muday**, Scottsdale, AZ (US); **Don Westgaard**, Cave Creek, AZ (US)

(73) Assignee: **Omnimount Systems, Inc.**, Phoenix, AZ (US)

(\*\*) Term: **14 Years**

(21) Appl. No.: **29/281,105**

(22) Filed: **Jun. 14, 2007**

(51) **LOC (8) Cl.** ..... **14-03**

(52) **U.S. Cl.** ..... **D14/451**

(58) **Field of Classification Search** ..... D14/448, D14/450, 451, 452, 439, 447, 432, 371, 373, D14/374, 375, 127, 217, 239; D8/363, 380, D8/373; 248/133, 139, 398, 371, 176.1, 248/274.1, 284.1, 313, 346.03, 917, 918, 248/919, 920, 921, 922, 923, 924, 201, 205.1, 248/220.21, 223.31, 276.1, 281.11, 286.1, 248/309.1, 323, 324, 349.1, 425; 348/825  
See application file for complete search history.

(56) **References Cited**

**U.S. PATENT DOCUMENTS**

D538,140 S \* 3/2007 Ly Hau et al. .... D8/373

D538,141 S \* 3/2007 Stenhouse et al. .... D8/373  
D538,632 S \* 3/2007 Ly Hau et al. .... D8/363  
D539,126 S \* 3/2007 Stenhouse et al. .... D8/373  
D539,636 S \* 4/2007 Bremmon ..... D8/363  
D539,637 S \* 4/2007 Ly Hau et al. .... D8/373  
D540,154 S \* 4/2007 Bremmon ..... D8/363  
D553,125 S \* 10/2007 Ly Hau et al. .... D14/239  
D560,670 S \* 1/2008 Anderson et al. .... D14/451  
D560,671 S \* 1/2008 Muday et al. .... D14/451  
D563,416 S \* 3/2008 Bremmon ..... D14/452  
D565,054 S \* 3/2008 Anderson et al. .... D14/452

\* cited by examiner

*Primary Examiner*—Jennifer Rivard

*Assistant Examiner*—Angela J Lee

(74) *Attorney, Agent, or Firm*—Hogan & Hartson LLP

(57) **CLAIM**

The ornamental design for large low profile tiltable mount for flat panel display, substantially as shown and described.

**DESCRIPTION**

FIG. 1 is a top, left isometric view of a large low profile tiltable mount for flat panel display; the top, right isometric view being a mirror image thereof.

FIG. 2 is a left side view thereof; the right side view being a mirror image thereof.

FIG. 3 is a top, elevational view thereof.

FIG. 4 is a rear, elevational view thereof.

FIG. 5 is a front, elevational view thereof; and,

FIG. 6 is a bottom, elevational view thereof.

**1 Claim, 3 Drawing Sheets**

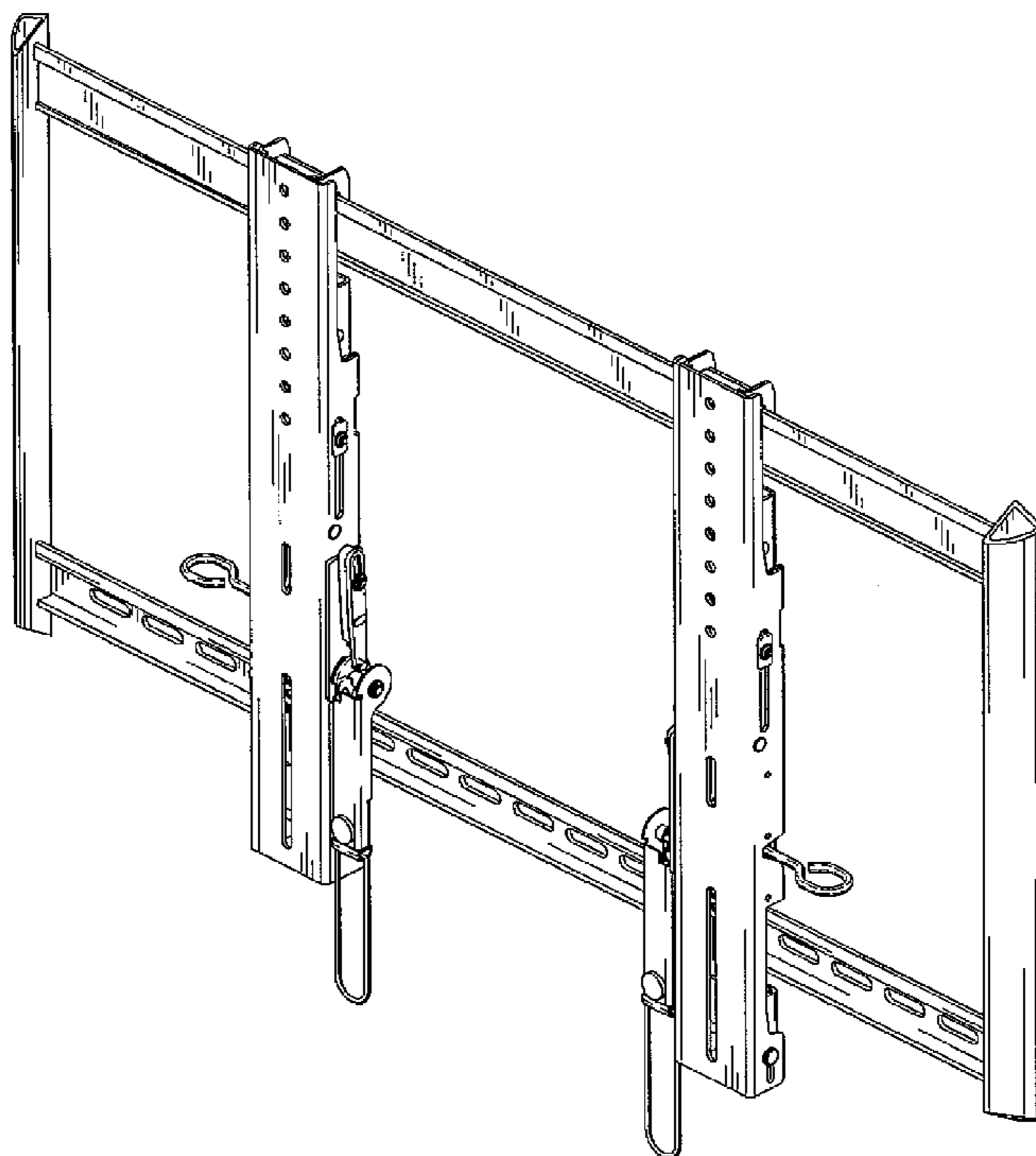




FIG. 2

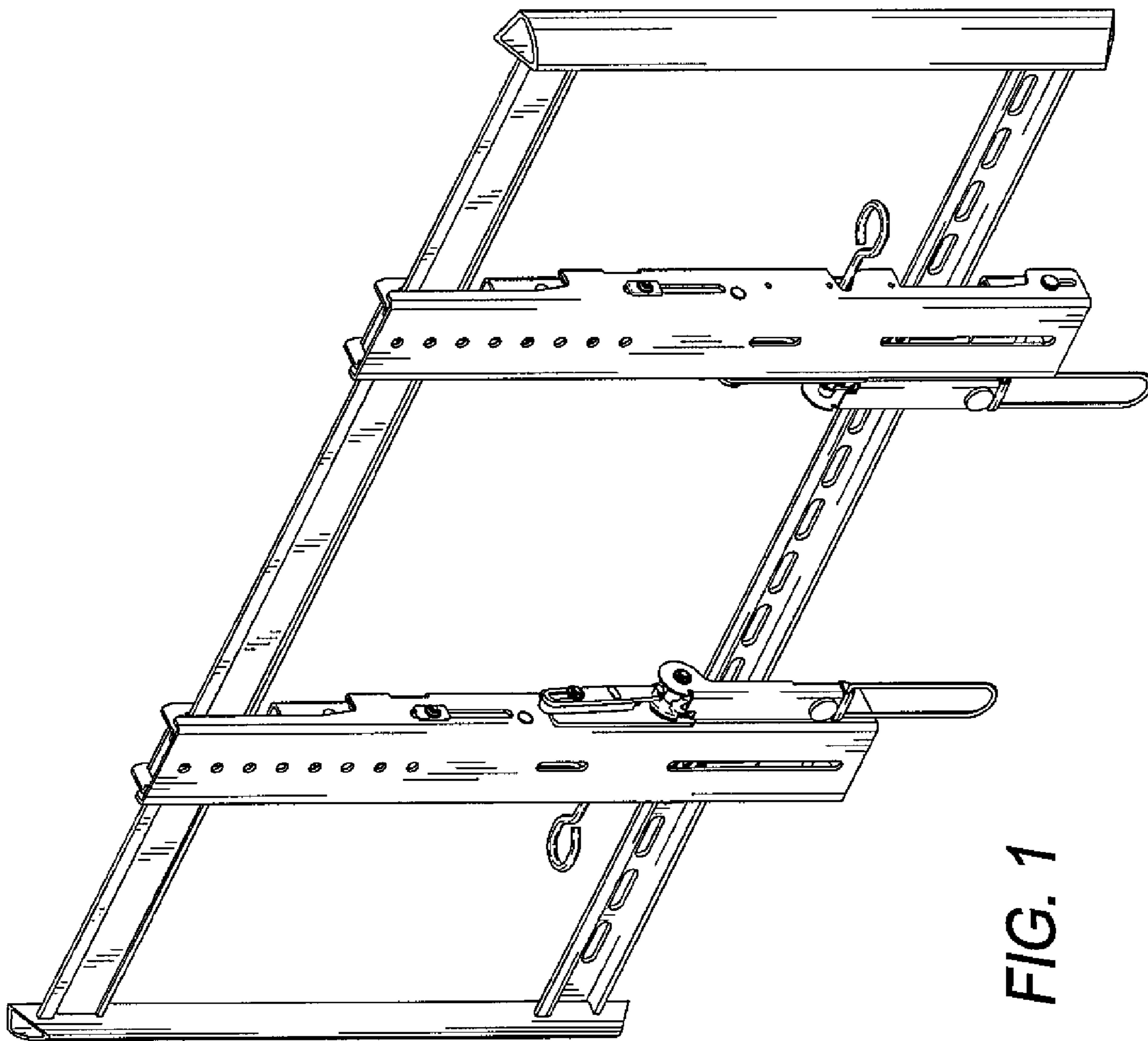


FIG. 1

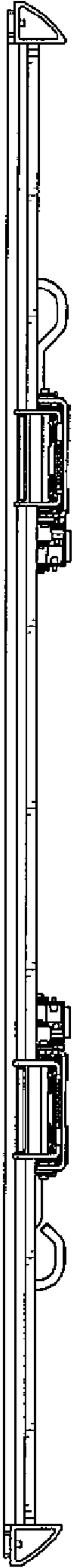


FIG. 3

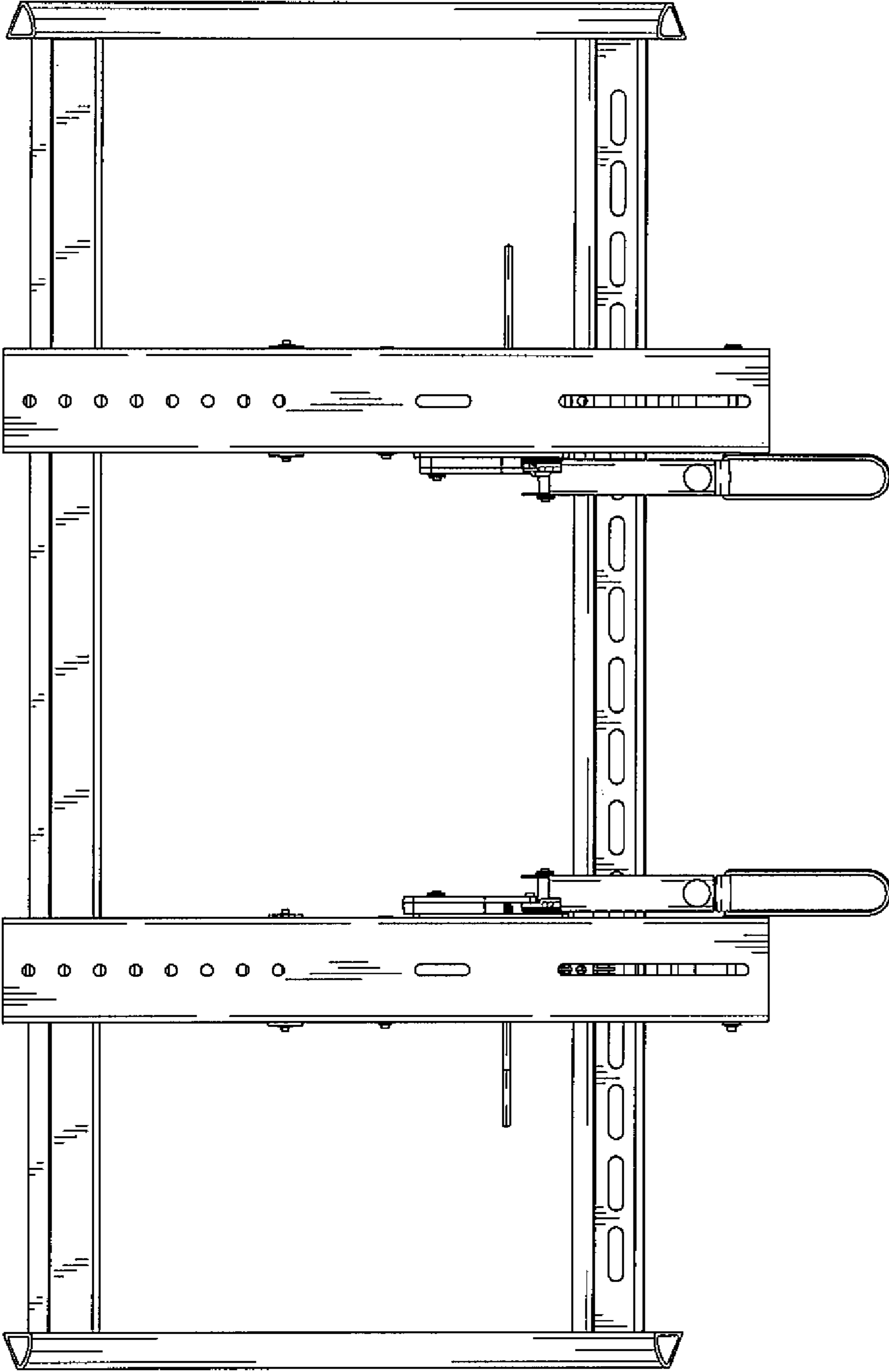


FIG. 4

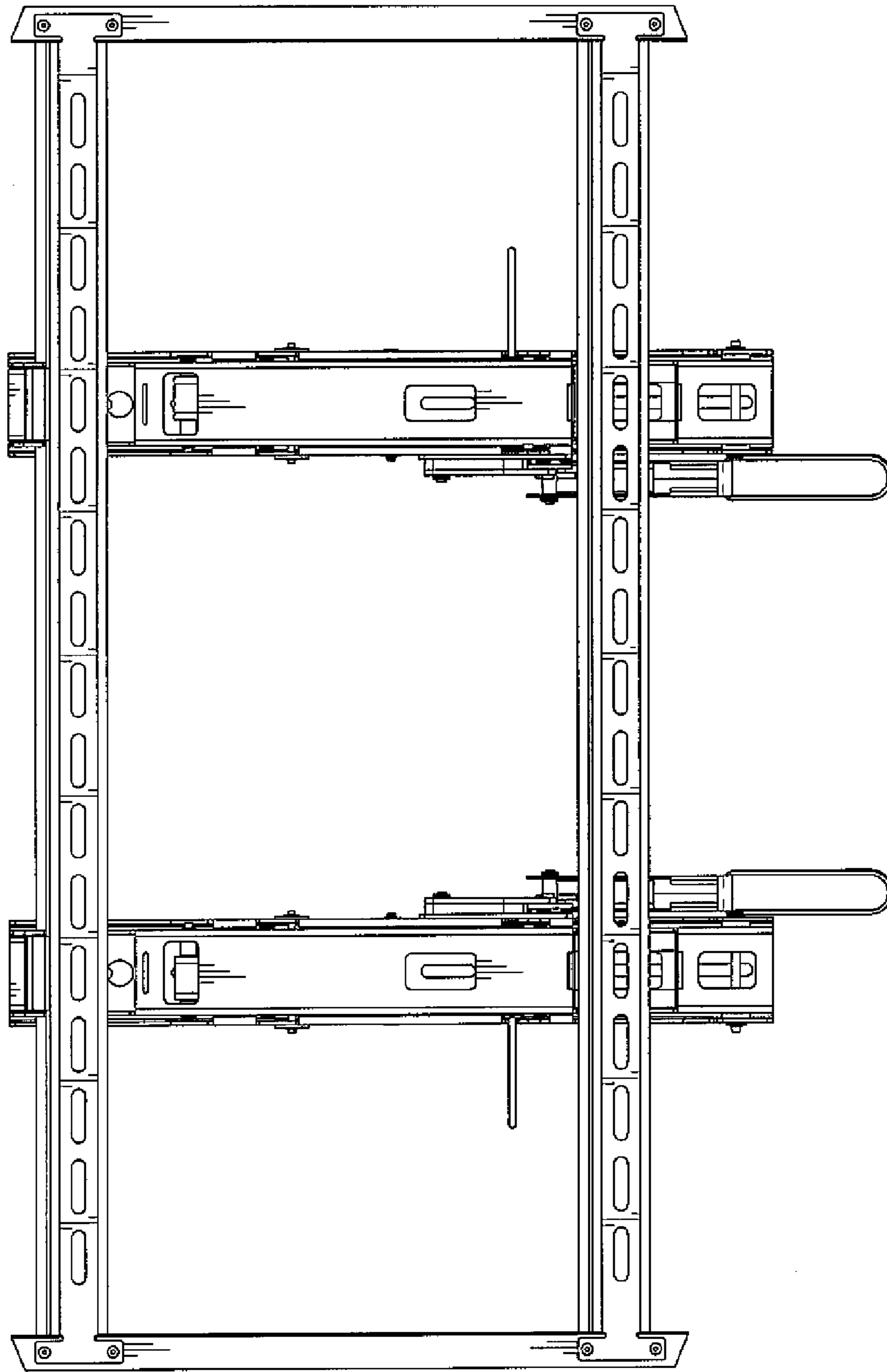


FIG. 5

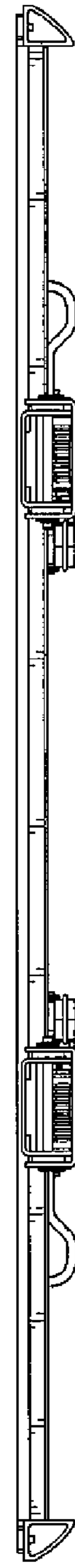


FIG. 6