



US00D575293S

(12) **United States Design Patent**  
**Derry et al.**

(10) **Patent No.:** **US D575,293 S**  
(45) **Date of Patent:** **\*\* Aug. 19, 2008**

(54) **FOLDING STAND**

**DESCRIPTION**

(75) Inventors: **Bradley A. Derry**, Easton, PA (US);  
**David VanDuzer**, Slatington, PA (US)

(73) Assignee: **Innovative Office Products, Inc.**,  
Easton, PA (US)

(\*\*) Term: **14 Years**

(21) Appl. No.: **29/286,166**

(22) Filed: **Apr. 25, 2007**

(51) **LOC (8) Cl.** ..... **14-03**

(52) **U.S. Cl.** ..... **D14/447**

(58) **Field of Classification Search** ..... D14/432,  
D14/434, 439, 448, 457, 447, 451, 452; D6/396,  
D6/419, 420, 473, 474, 512; D19/92, 95;  
D23/370, 387; 248/917, 918, 919, 920, 921,  
248/922, 923, 924, 371, 393, 398, 176.1,  
248/176.2, 176.3, 188.6, 346.01, 346.03,  
248/346.06, 346.3, 346.4, 346.5, 441.1, 454,  
248/455, 456, 460; 312/223.3; 361/680,  
361/681, 683, 687, 688, 693, 694, 695; D13/179  
See application file for complete search history.

(56) **References Cited**

**U.S. PATENT DOCUMENTS**

5,383,634 A \* 1/1995 Liao ..... 248/166  
D357,828 S \* 5/1995 Liao ..... D6/466

(Continued)

**OTHER PUBLICATIONS**

Cricket Laptop Stand, Dec. 10, 2007, [http://www.en-genius.net/site/zones/engeniusBLOG/greenpowerZONE/grne\\_121007.\\*](http://www.en-genius.net/site/zones/engeniusBLOG/greenpowerZONE/grne_121007.*)

(Continued)

*Primary Examiner*—Jennifer Rivard

*Assistant Examiner*—Angela J Lee

(74) *Attorney, Agent, or Firm*—Lerner, David, Littenebrg,  
Krumholz & Mentlik, LLP

(57) **CLAIM**

The ornamental design for a folding stand, as shown and described.

U.S. patent application Ser. No. 11/789,692, is filed concurrently herewith and entitled “Folding Support Stand for Portable Electronic Devices,” the entire disclosure of which, including the figures, is hereby incorporated by reference herein.

FIG. 1 is a perspective view of a folding stand in accordance with present invention;

FIG. 2 is a front elevational view of the folding stand of FIG. 1;

FIG. 3 is a rear elevational view of the folding stand of FIG. 1;

FIG. 4 is a right side elevational view of the folding stand of FIG. 1;

FIG. 5 is a left side elevational view of the folding stand of FIG. 1;

FIG. 6 is a top plan view of the folding stand of FIG. 1;

FIG. 7 is a bottom plan view of the folding stand of FIG. 1;

FIG. 8 is a perspective view of the folding stand of FIG. 1 shown in a compact orientation;

FIG. 9 is a front elevational view of the folding stand as shown in FIG. 8;

FIG. 10 is a rear elevational view of the folding stand of FIG. 8;

FIG. 11 is a right side elevational view of the folding stand of FIG. 8;

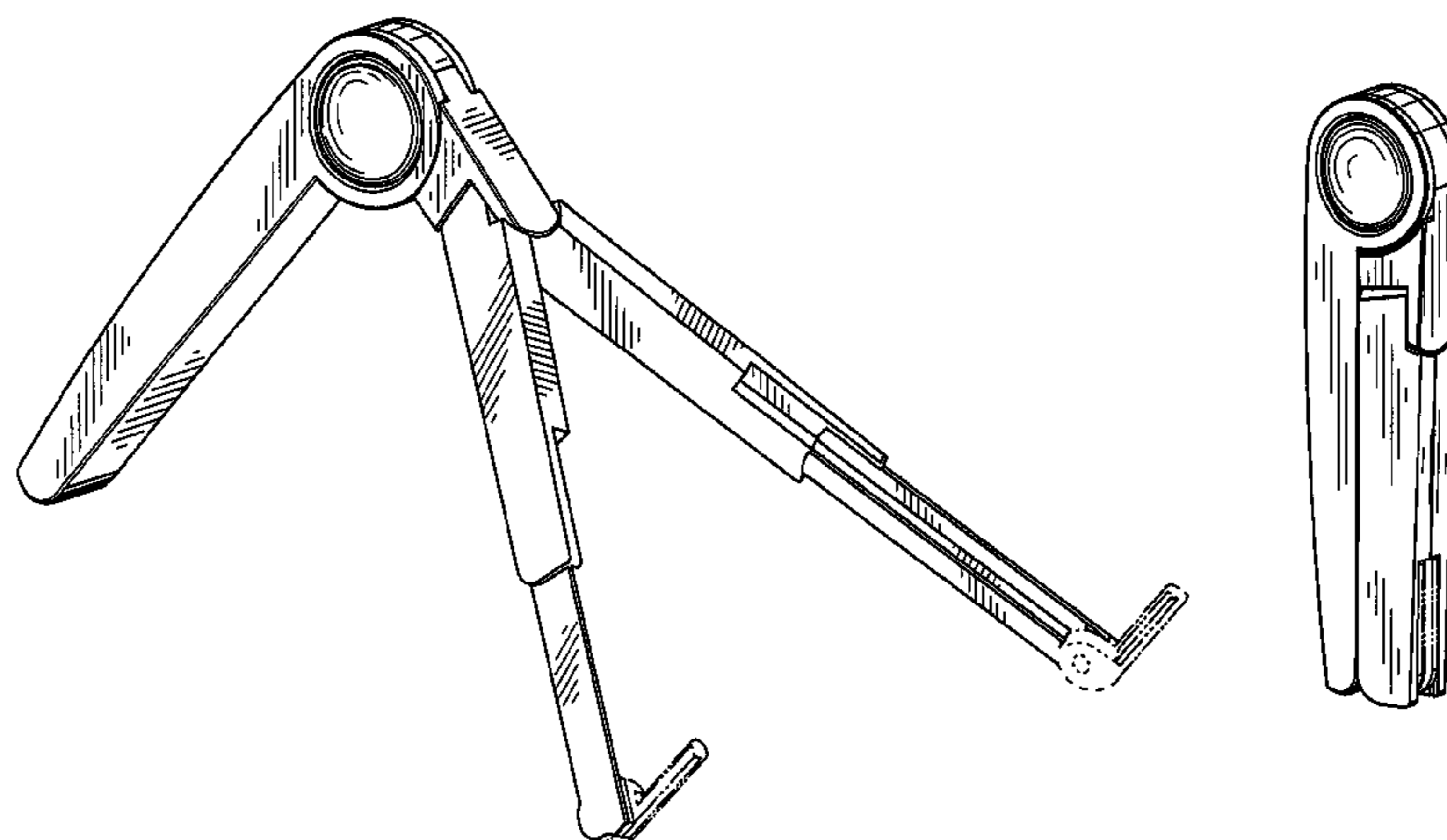
FIG. 12 is a left side elevational view of the folding stand as shown in FIG. 8;

FIG. 13 is a top plan view of the folding stand as shown in FIG. 8; and,

FIG. 14 is a bottom plan view of the folding stand as shown in FIG. 8.

The appearance of elements presented in broken line format form no part of the claimed invention.

**1 Claim, 10 Drawing Sheets**



U.S. PATENT DOCUMENTS

5,497,971	A *	3/1996	Spiro	248/455
5,957,417	A *	9/1999	Yu	248/166
6,017,012	A *	1/2000	Henson, Jr.	248/460
6,113,040	A *	9/2000	Yu	248/166
6,412,742	B1 *	7/2002	Yu	248/434
6,533,228	B1 *	3/2003	Yu	248/166
D495,337	S *	8/2004	Zerman et al.	D14/447
D538,554	S *	3/2007	Tai	D6/466
D539,806	S *	4/2007	Yu et al.	D14/447
2002/0088914	A1 *	7/2002	Yu	248/434
2004/0007651	A1	1/2004	Williams et al.	

OTHER PUBLICATIONS

“Notebook Spyder Laptop Stand” retrieved from the Internet at <[http://www.ergostoreonline.com/notebook\\_spyder.html](http://www.ergostoreonline.com/notebook_spyder.html)> on Mar. 8, 2007 (1 page).

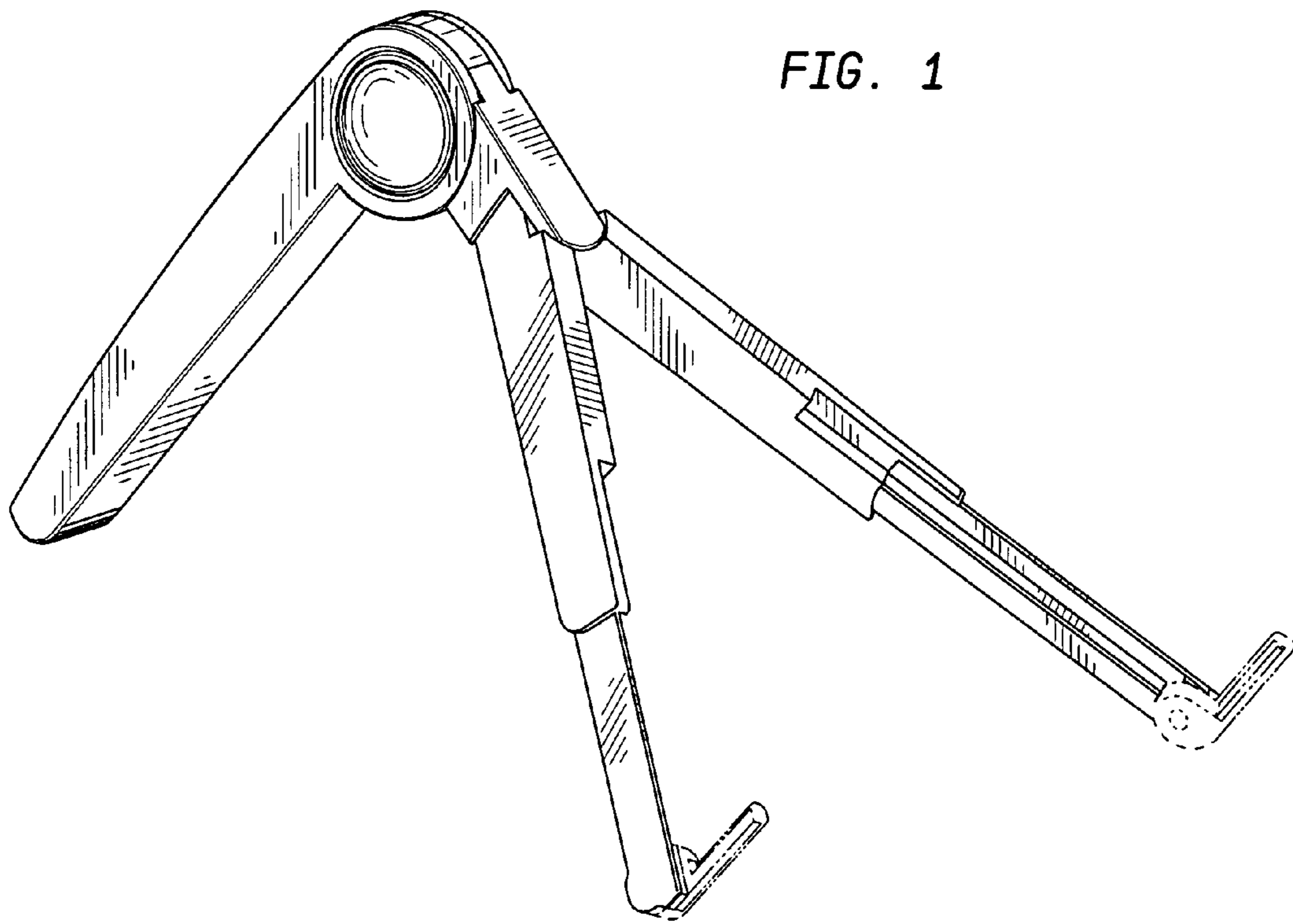
“Laptop Prop Laptop Stand” retrieved from the internet at <<http://www.ergostoreonline.com/laptop-prop-laptop-stand.html>> on Mar. 8, 2007 (1 page).

“Standit The ergonomic laptop sand to improve your posture” retrieved from the Internet at <http://www.standit.com/models.html> <<http://www.standit.com/models.html>> on Mar. 8, 2007 (2 pages).

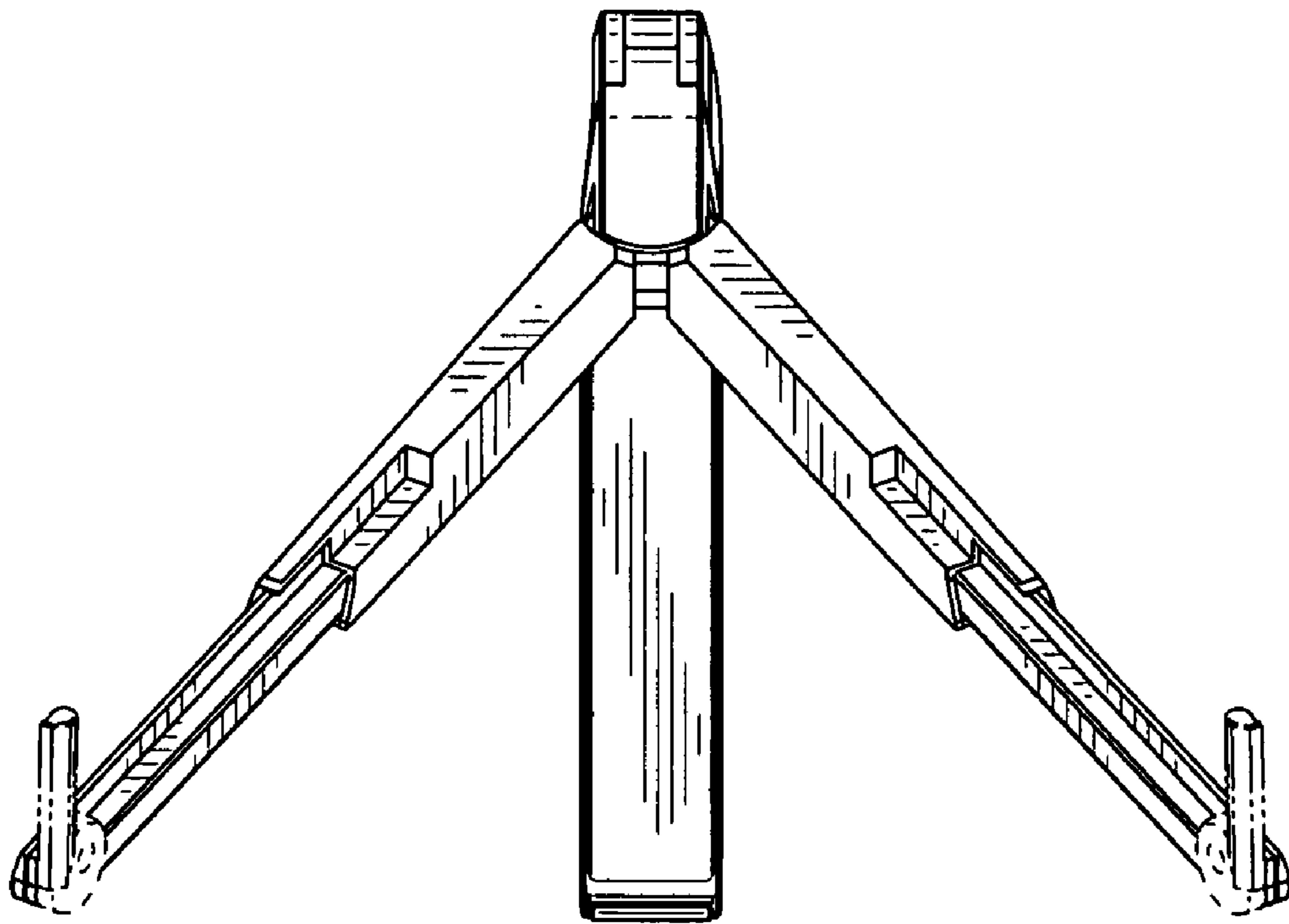
U.S. Appl. No. 11/508,367, filed Aug. 23, 2006, entitled “Laptop Holder for Extension Arm”, (56 pages).

U.S. Appl. No. 29/261,219, filed Jun. 9, 2006, entitled “Laptop Holder”, (8 pages).

\* cited by examiner



*FIG. 2*



*FIG. 3*

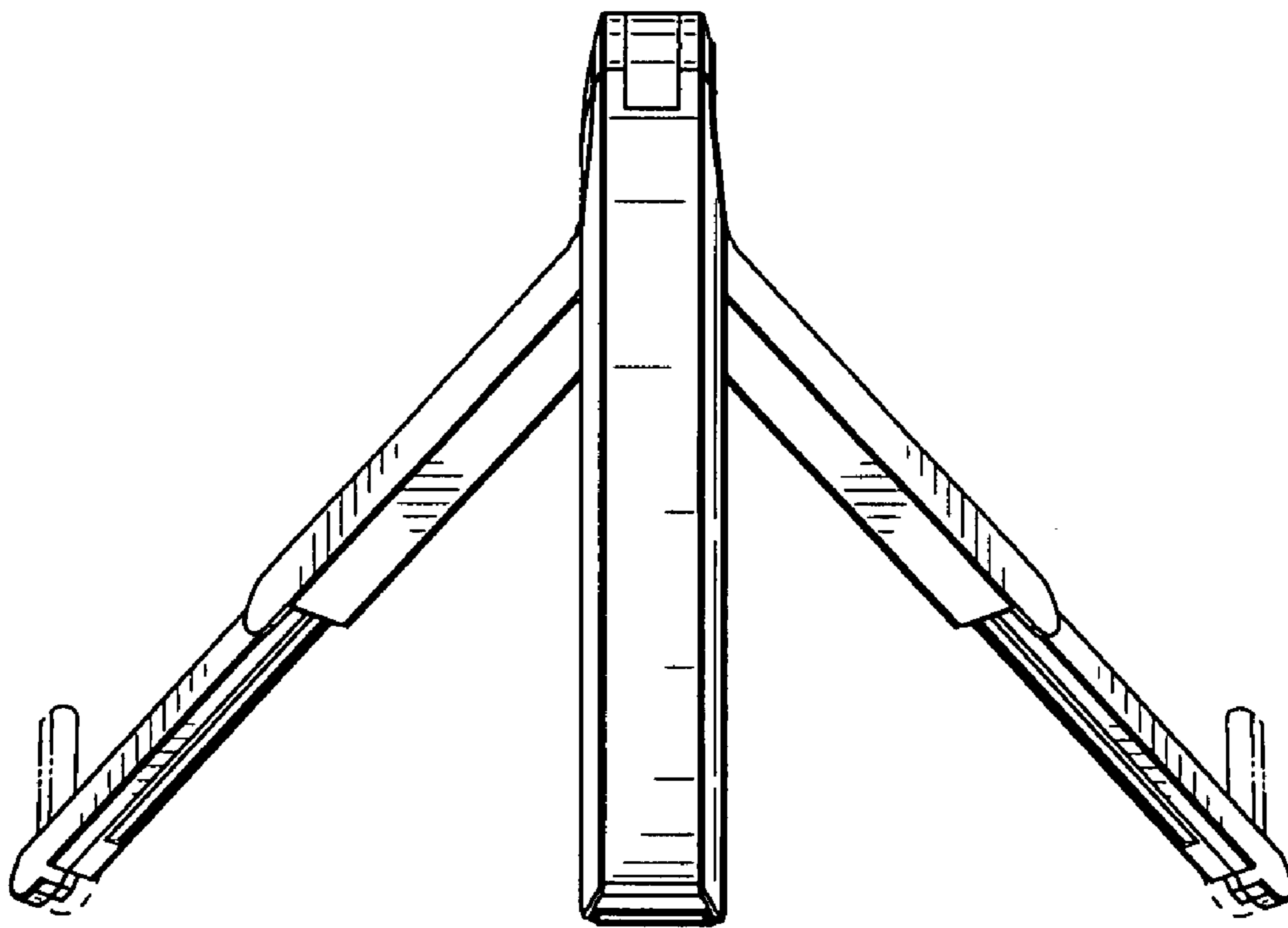


FIG. 4

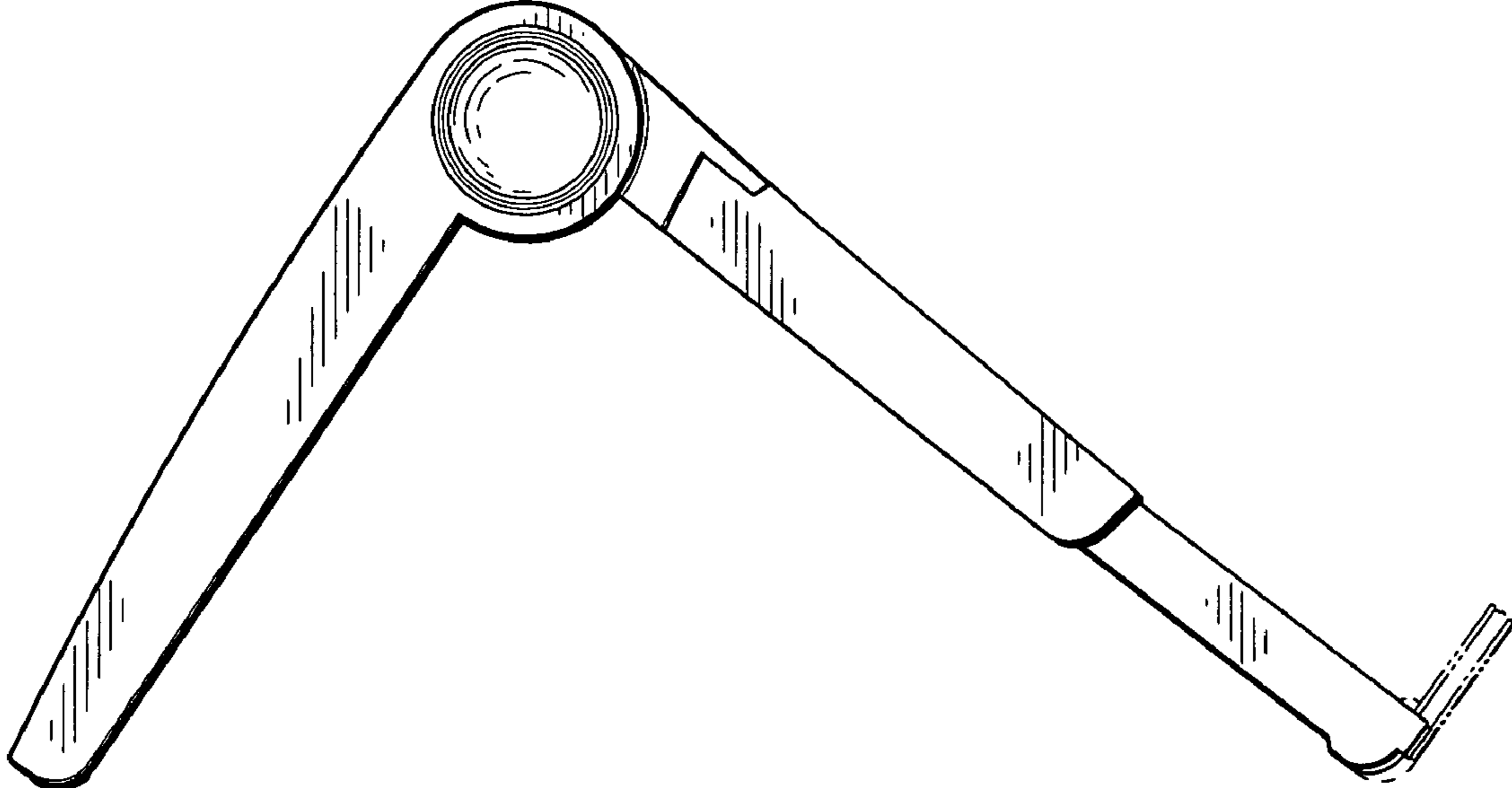


FIG. 5

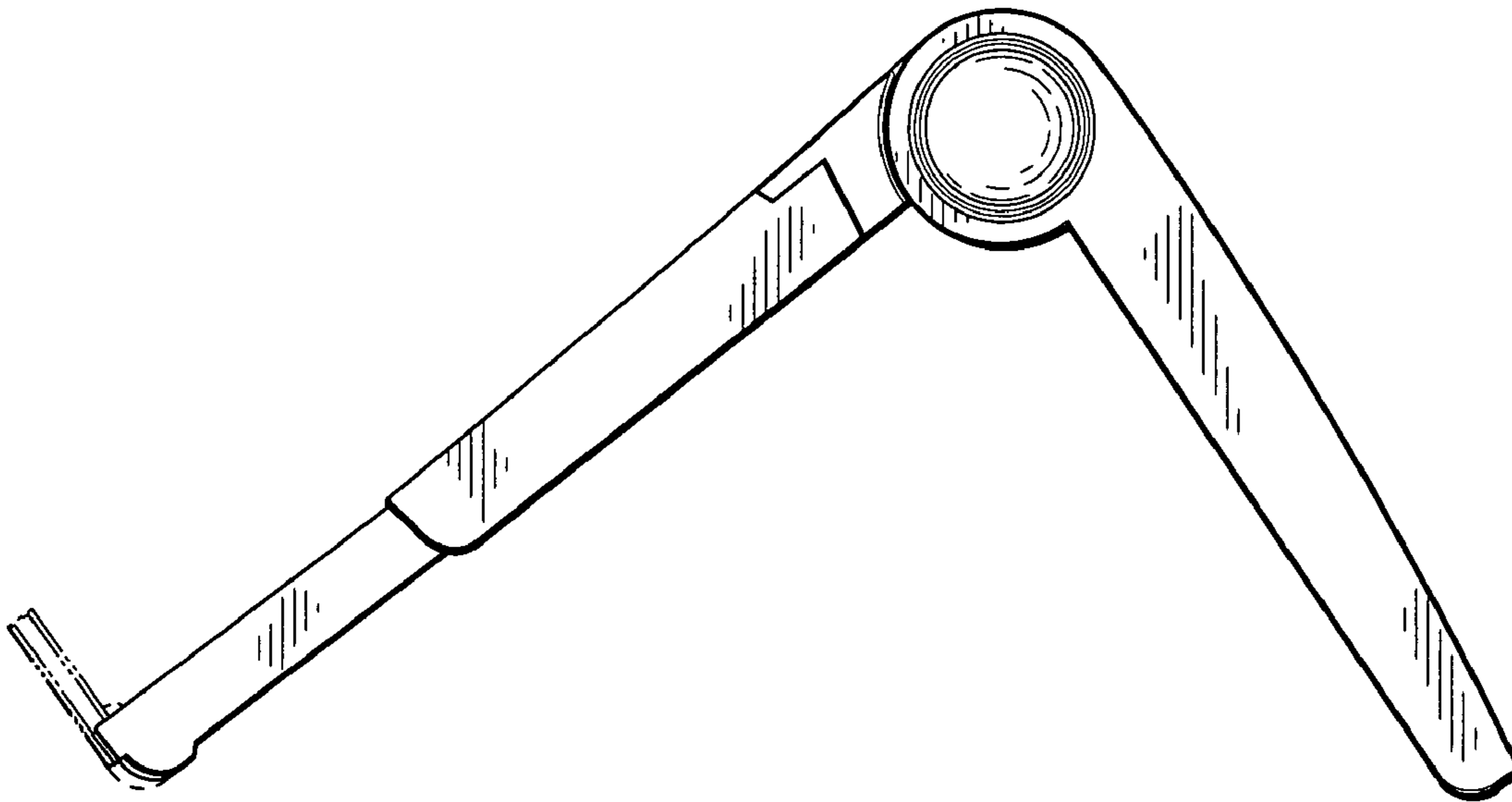


FIG. 6

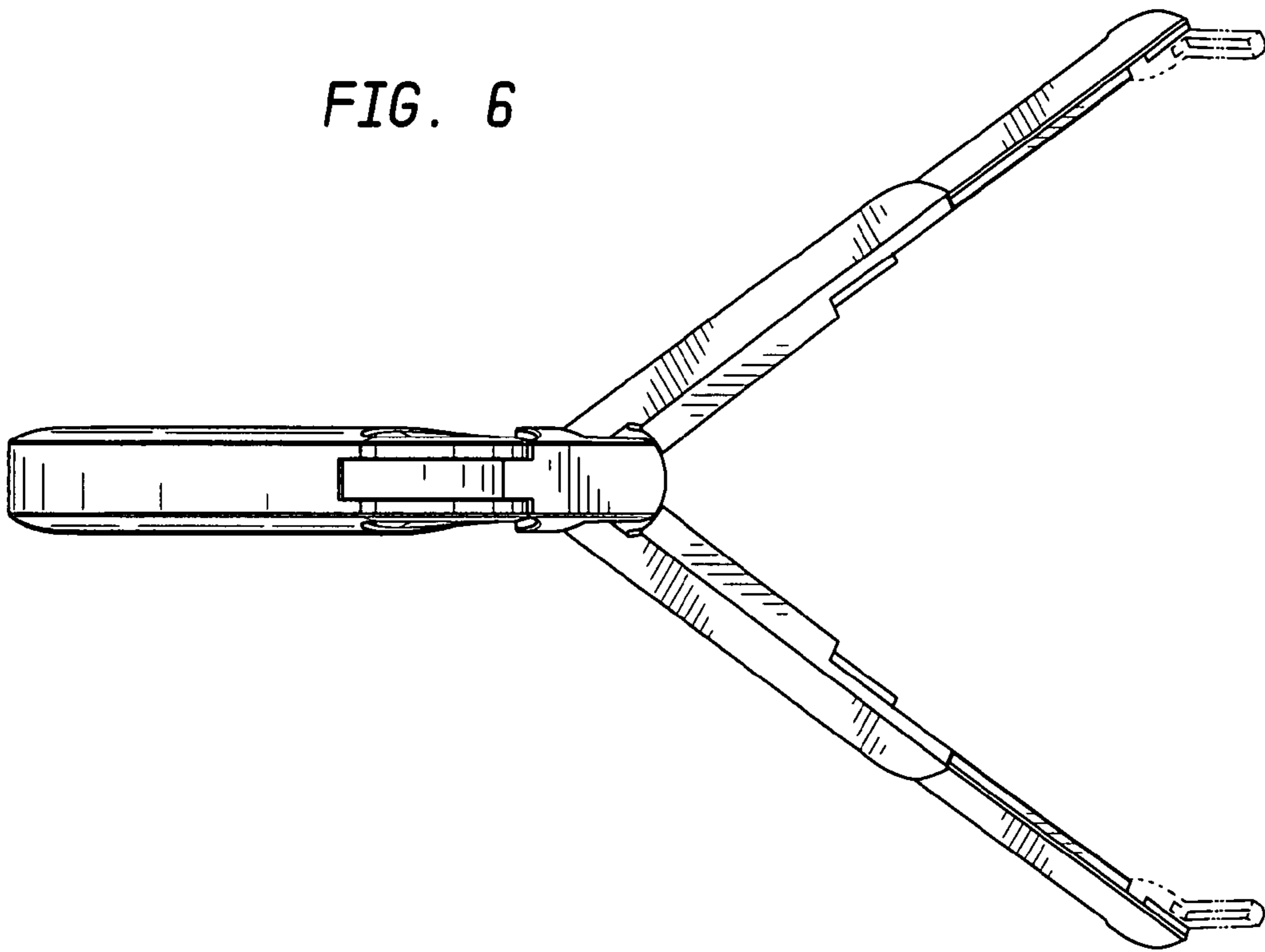
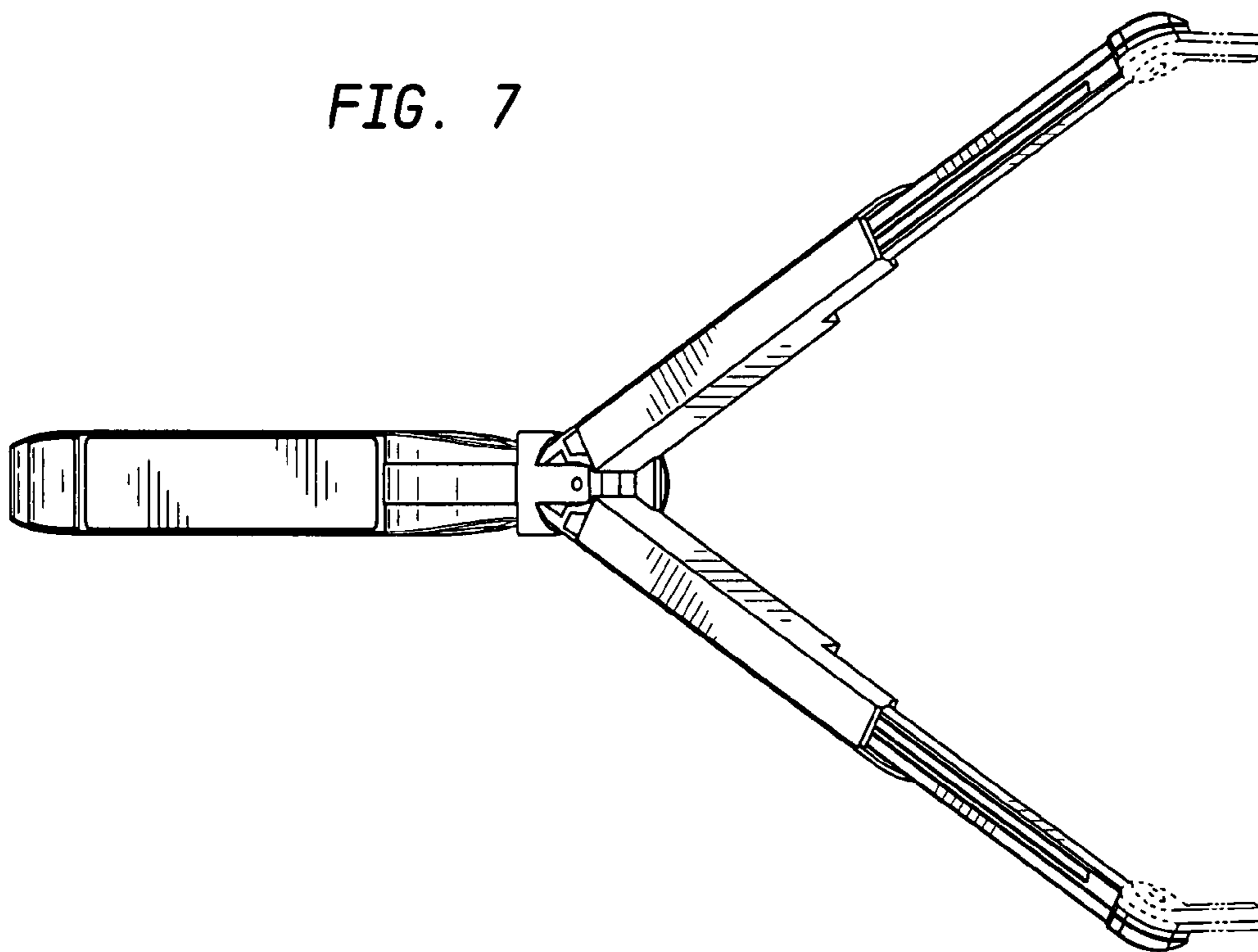
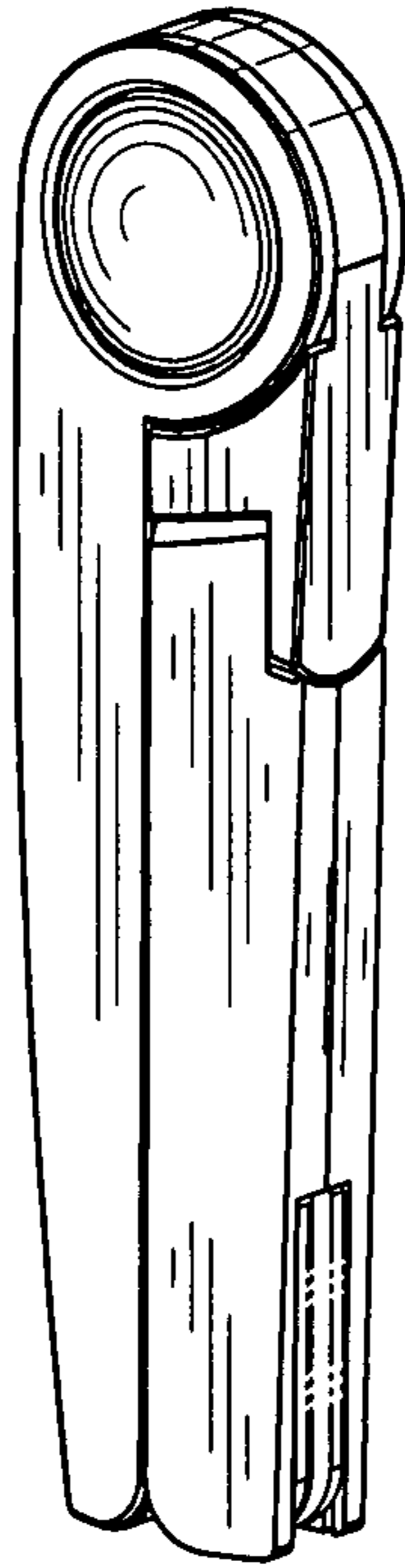




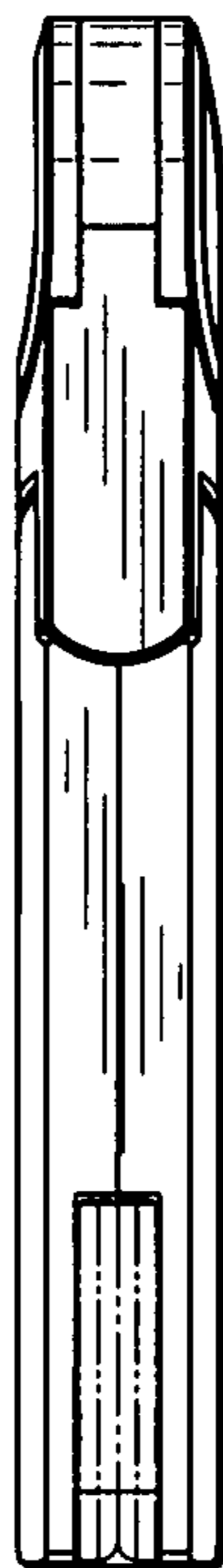
FIG. 7



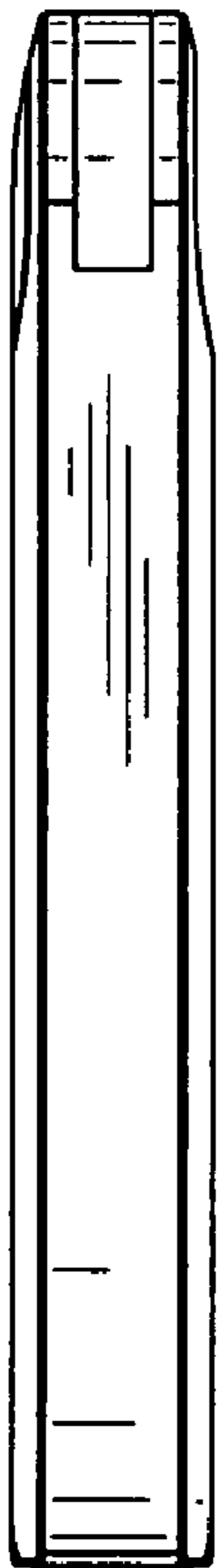
*FIG. 8*



*FIG. 9*



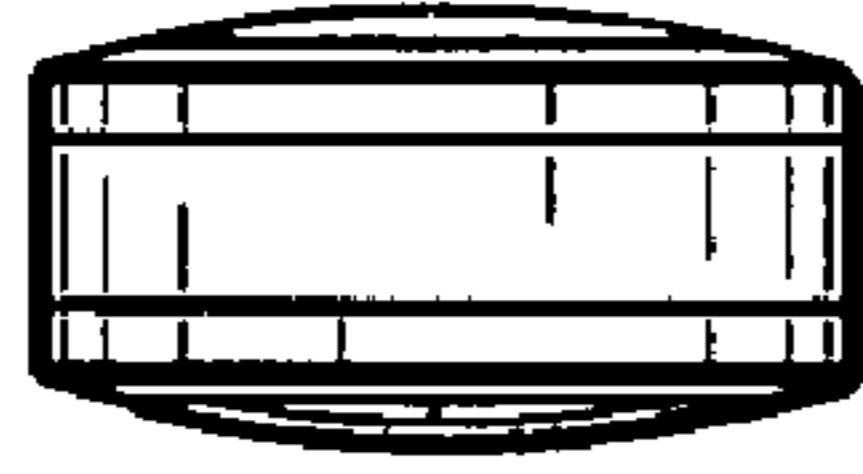
*FIG. 10*



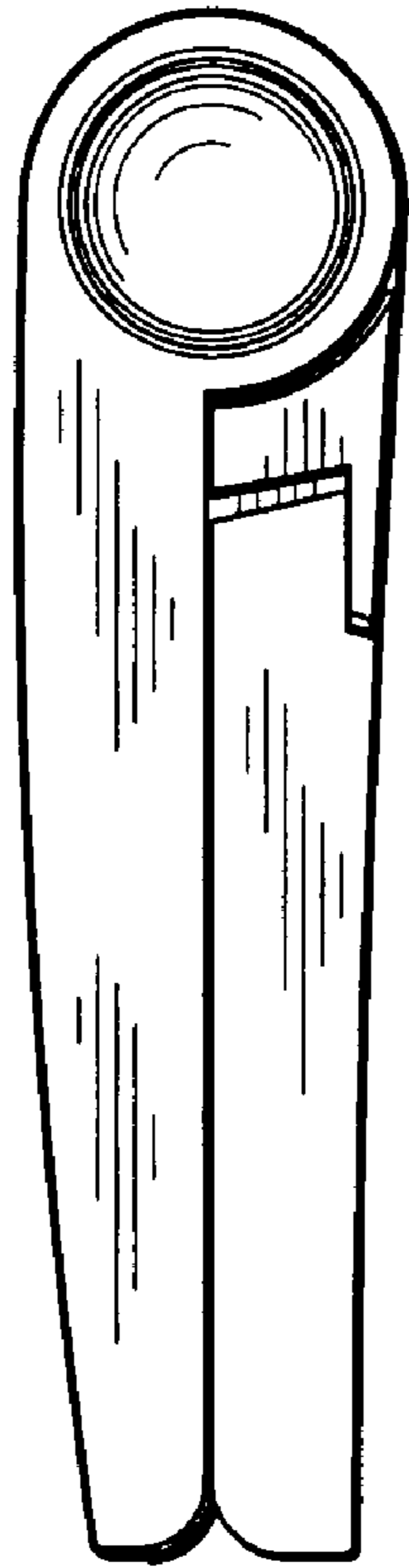
*FIG. 11*



*FIG. 13*



*FIG. 12*



*FIG. 14*

