



US00D575292S

(12) **United States Design Patent**
Deng et al.

(10) **Patent No.:** **US D575,292 S**

(45) **Date of Patent:** **** Aug. 19, 2008**

(54) **FRONT BEZEL FOR COMPUTER ENCLOSURE**

(75) Inventors: **Le-Le Deng**, Shenzhen (CN); **Chun-Chi Liang**, Taipei Hsien (TW); **Jiing-Renn Yu**, Taipei Hsien (TW); **Yun-Dong Xu**, Shenzhen (CN); **Yuan-Yuan Liu**, Shenzhen (CN)

(73) Assignee: **Hon Hai Precision Industry Co., Ltd.**, Tu-Cheng, Taipei Hsien (TW)

(**) Term: **14 Years**

(21) Appl. No.: **29/284,959**

(22) Filed: **Sep. 19, 2007**

(30) **Foreign Application Priority Data**

May 11, 2007 (CN) 2007 3 0200338

(51) **LOC (8) Cl.** **14-02**

(52) **U.S. Cl.** **D14/444**

(58) **Field of Classification Search** D14/441-446, D14/308; D13/162, 184, 199; 312/223.2, 312/326; 361/680-686, 690-696; 369/14, 369/34.01, 36.01

See application file for complete search history.

(56) **References Cited**

U.S. PATENT DOCUMENTS

D438,517 S * 3/2001 Chen et al. D14/444
6,478,392 B2 * 11/2002 Gan et al. 312/326

D467,928 S * 12/2002 Chen et al. D14/444
D517,078 S * 3/2006 Yu et al. D14/444
D520,508 S * 5/2006 Zong et al. D14/444
D521,007 S * 5/2006 Huang et al. D14/444

* cited by examiner

Primary Examiner—Freda S Nunn

(74) *Attorney, Agent, or Firm*—Frank R. Niranjana

(57) **CLAIM**

The ornamental design for a front bezel for computer enclosure, as shown and described.

DESCRIPTION

FIG. 1 is a perspective view of a front bezel for computer enclosure showing our new design;

FIG. 2 is a front elevational view thereof;

FIG. 3 is a left-side, elevational view thereof;

FIG. 4 is a right-side, elevational view thereof;

FIG. 5 is a top plan view thereof;

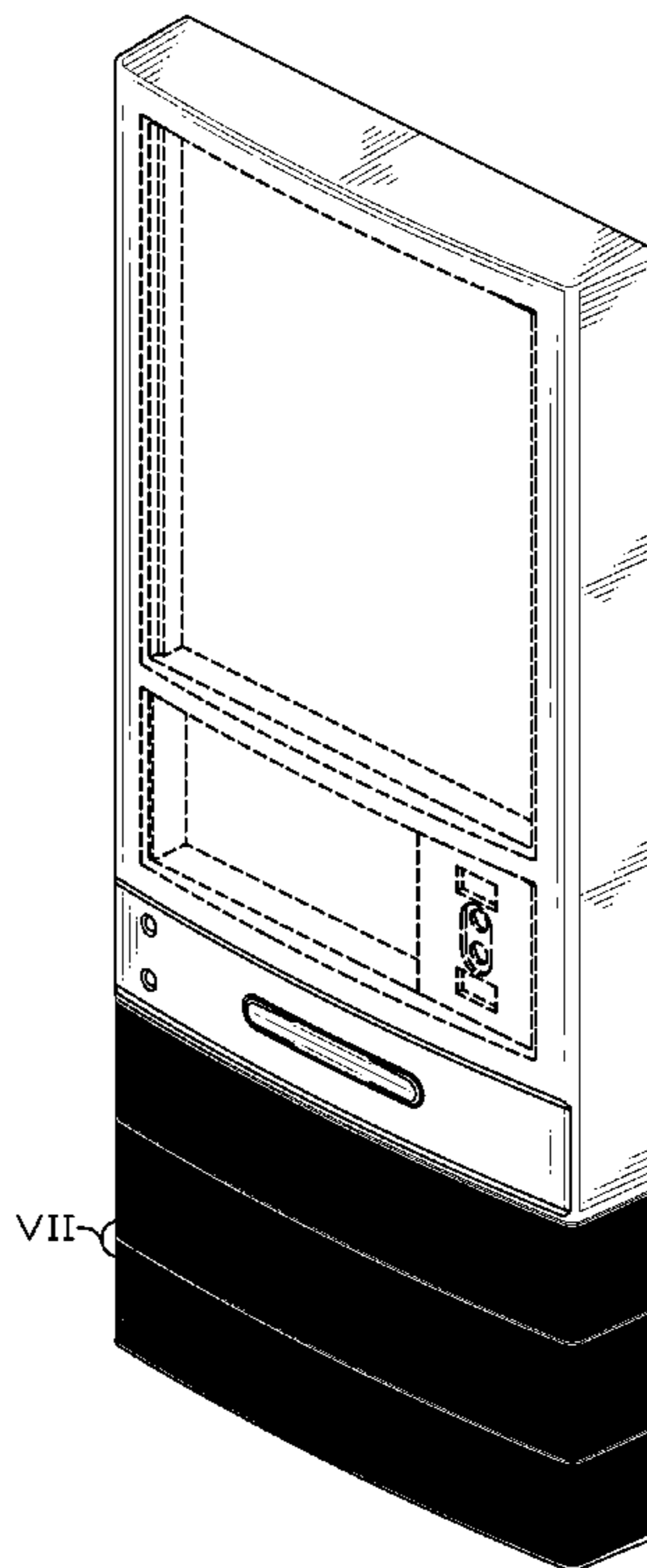
FIG. 6 is a bottom plan view thereof;

FIG. 7 is an enlarged view of a circled portion VII in FIG. 1, showing that the dark area of FIG. 1 is composed of a plurality of parallel lines; and,

FIG. 8 is a perspective view of the front bezel being mounted to a computer enclosure.

The broken lines are for illustrative purposes only and form no part of the claimed design.

1 Claim, 8 Drawing Sheets



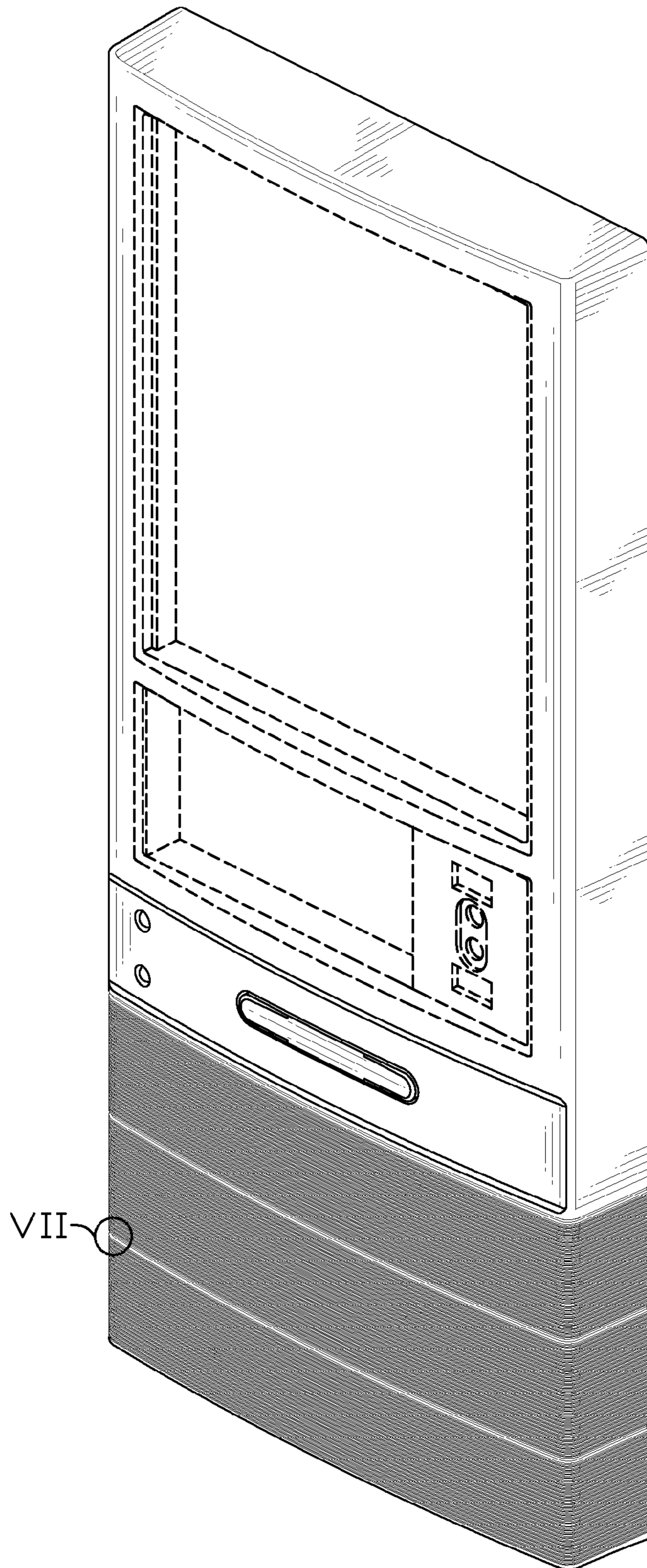


FIG. 1

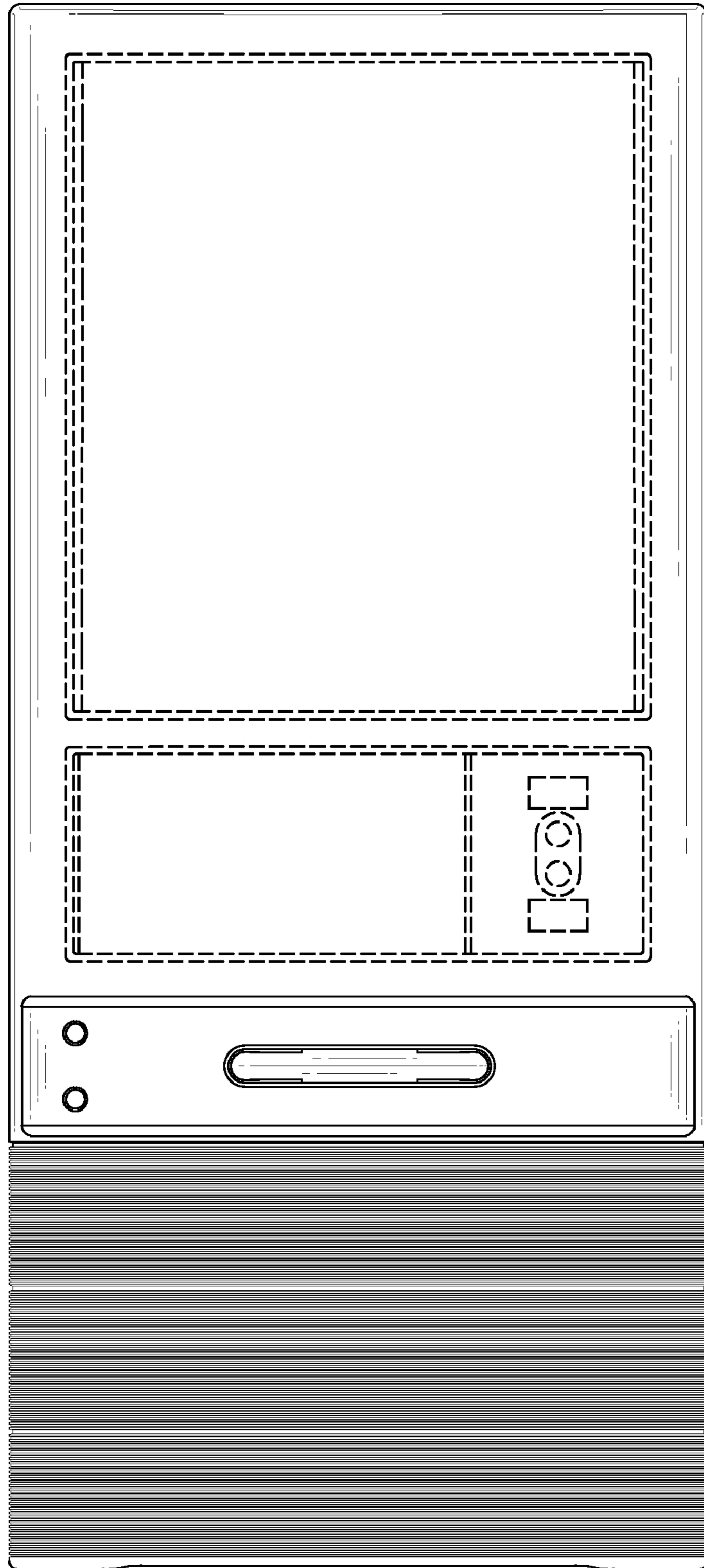


FIG. 2

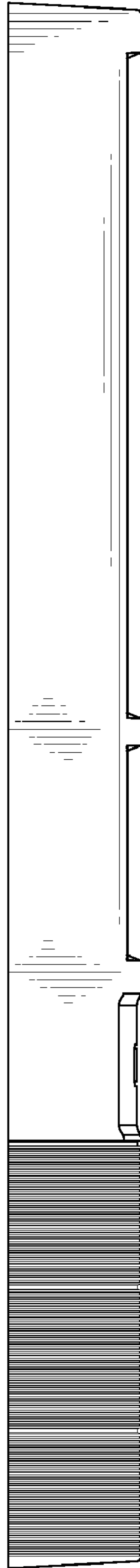


FIG. 3

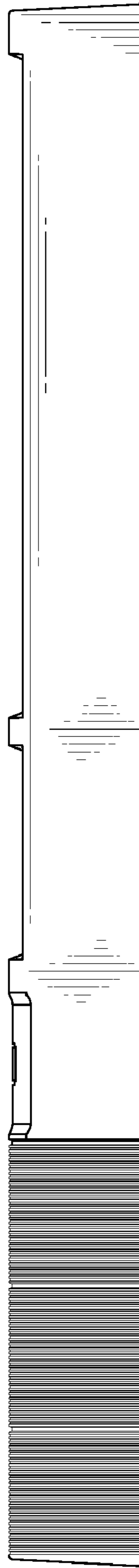


FIG. 4

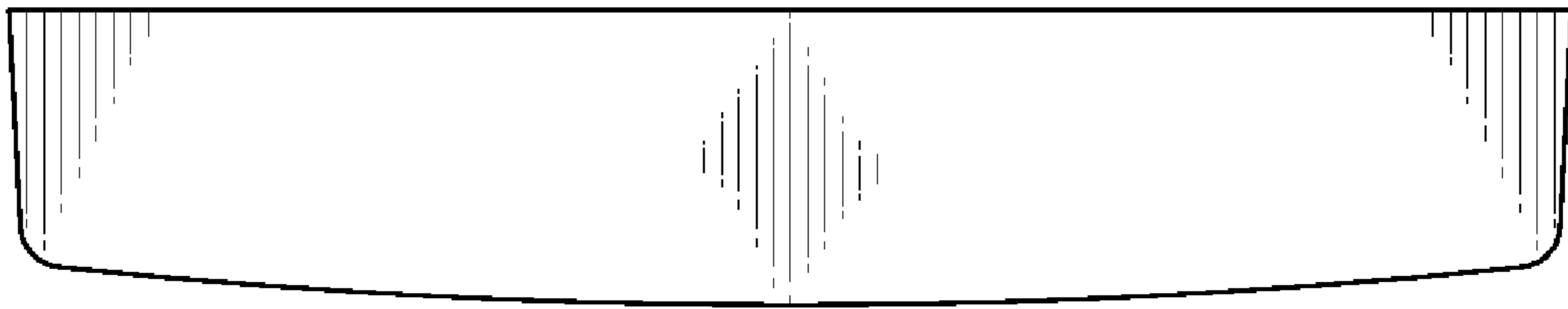


FIG. 5

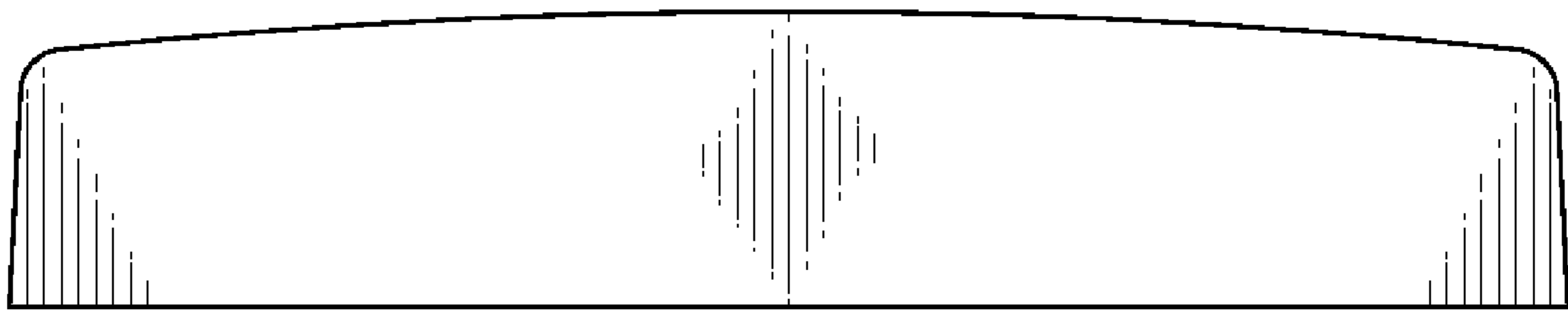


FIG. 6

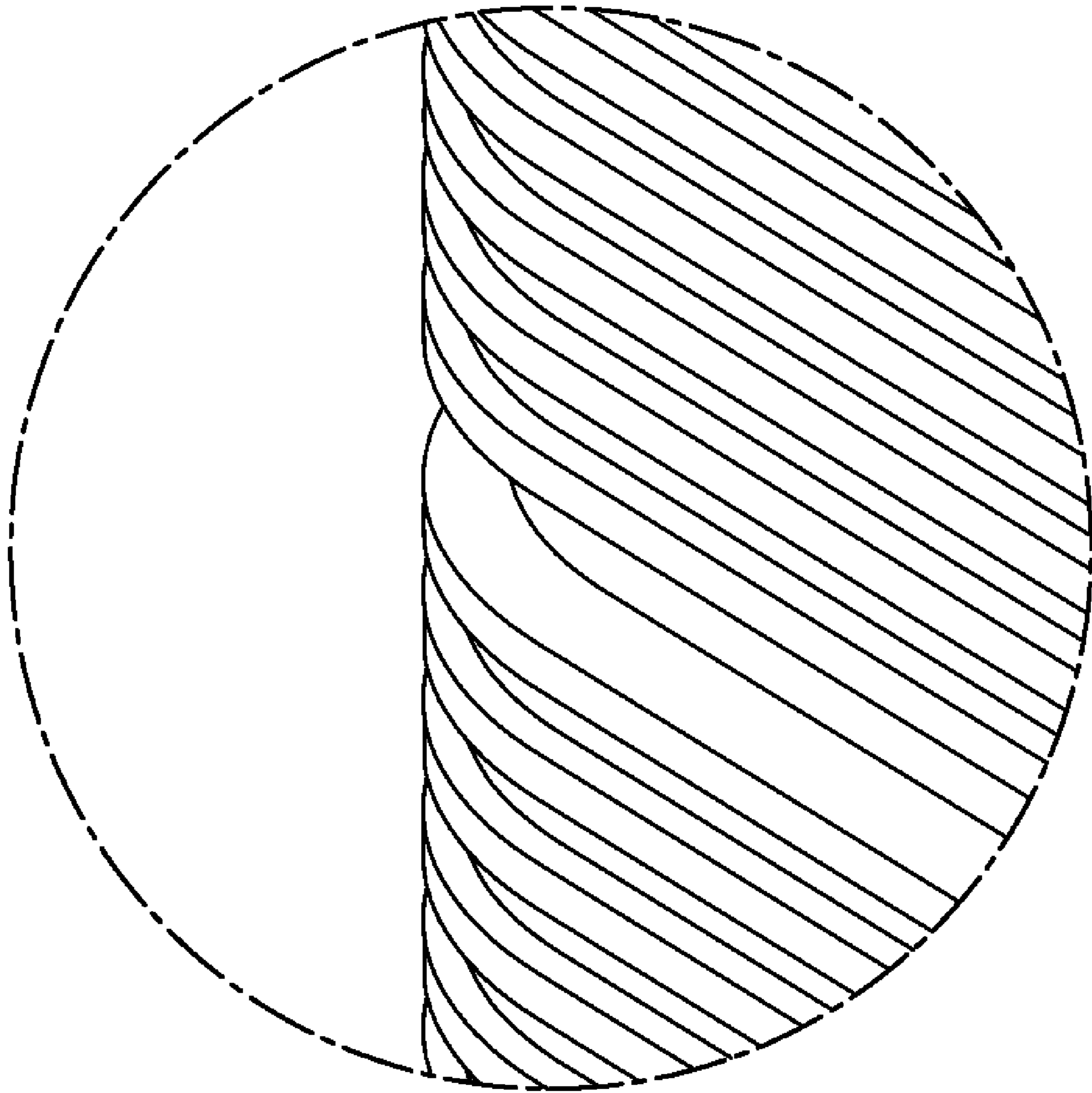


FIG. 7

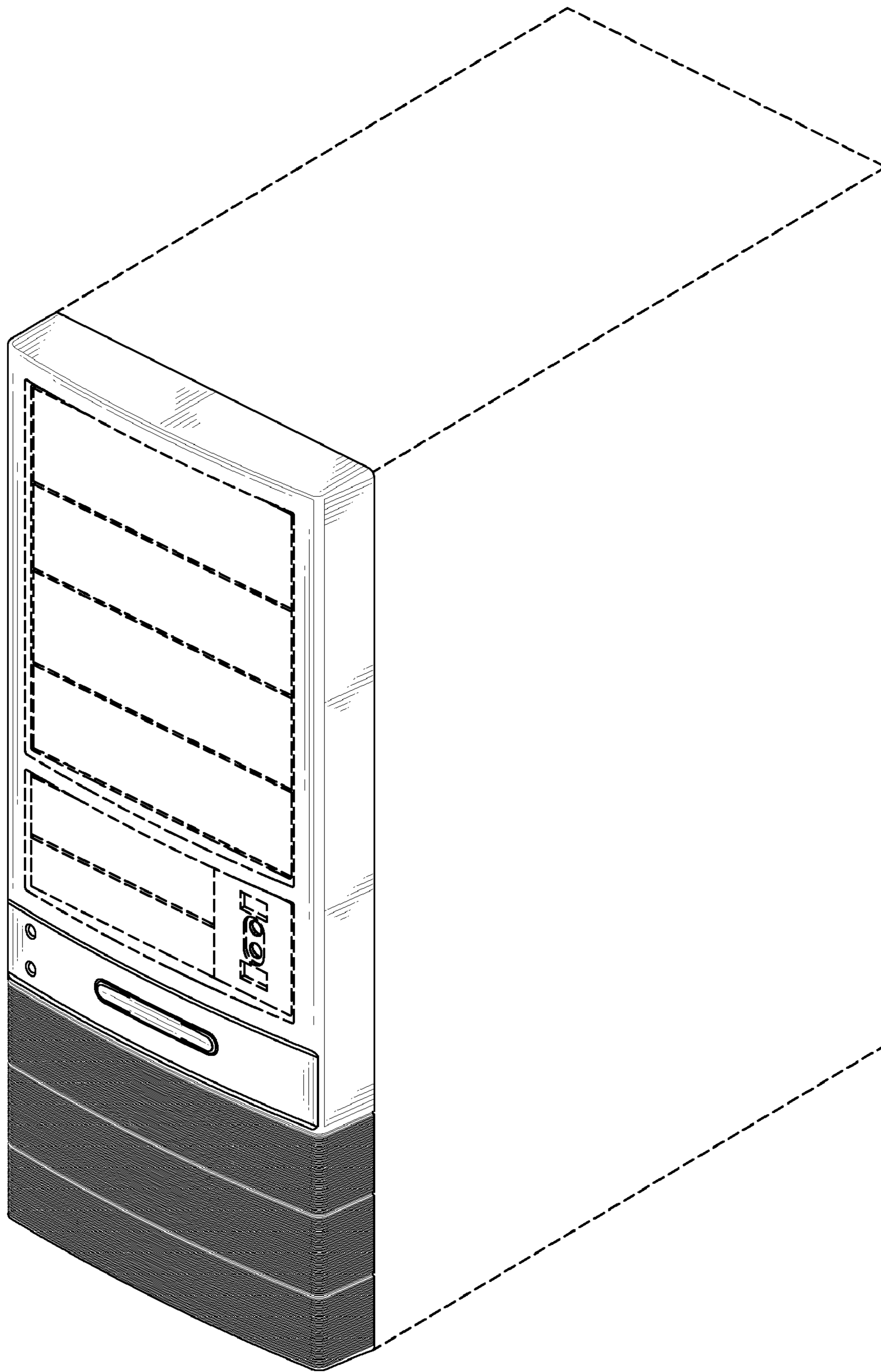


FIG. 8