



US00D575289S

(12) **United States Design Patent**
Kuo et al.

(10) **Patent No.:** **US D575,289 S**
(45) **Date of Patent:** **** Aug. 19, 2008**

(54) **DOCK CONNECTOR**

(75) Inventors: **Peter Kuo**, Tu-Cheng (TW); **Bing Du**,
Kunshan (CN)

(73) Assignee: **Hon Hai Precision Ind. Co., Ltd.**,
Taipei Hsien (TW)

(**) Term: **14 Years**

(21) Appl. No.: **29/288,434**

(22) Filed: **Jun. 11, 2007**

(30) **Foreign Application Priority Data**

Dec. 11, 2006 (CN) 2006 3 0194027

(51) **LOC (8) Cl.** **14-02**

(52) **U.S. Cl.** **D14/434**

(58) **Field of Classification Search** D14/434,
D14/447, 432, 385, 357, 149, 457, 253, 251,
D14/356, 137, 138, 107, 155; D13/199,
D13/107, 108, 118, 109, 110, 119, 184; 361/600,
361/679, 683, 686; 200/6 R; 206/701; 320/113-115,
320/107; 379/426; 455/557, 556.1, 556.2,
455/573; 345/156, 901, 905; 439/374, 131,
439/529, 534, 929, 346, 31, 640; 235/472.01;
248/309.1, 221.11; 429/100; D21/333, 392;
D19/65; 24/303; D8/395

See application file for complete search history.

(56) **References Cited**

U.S. PATENT DOCUMENTS

D221,081 S * 7/1971 Kahn D13/110

D433,994 S * 11/2000 Jobs et al. D13/110
D467,539 S * 12/2002 Kataoka D13/108
D480,376 S * 10/2003 Ma D14/149
D485,390 S * 1/2004 Stancik et al. D26/104

* cited by examiner

Primary Examiner—Melanie Tung

Assistant Examiner—Susan Moon Lee

(74) *Attorney, Agent, or Firm*—Wei Te Chung

(57) **CLAIM**

The ornamental design for a dock connector, as shown.

DESCRIPTION

FIG. 1 is a front, top and right side perspective view of a dock connector;

FIG. 2 is a front elevational view thereof;

FIG. 3 is a rear elevational view thereof;

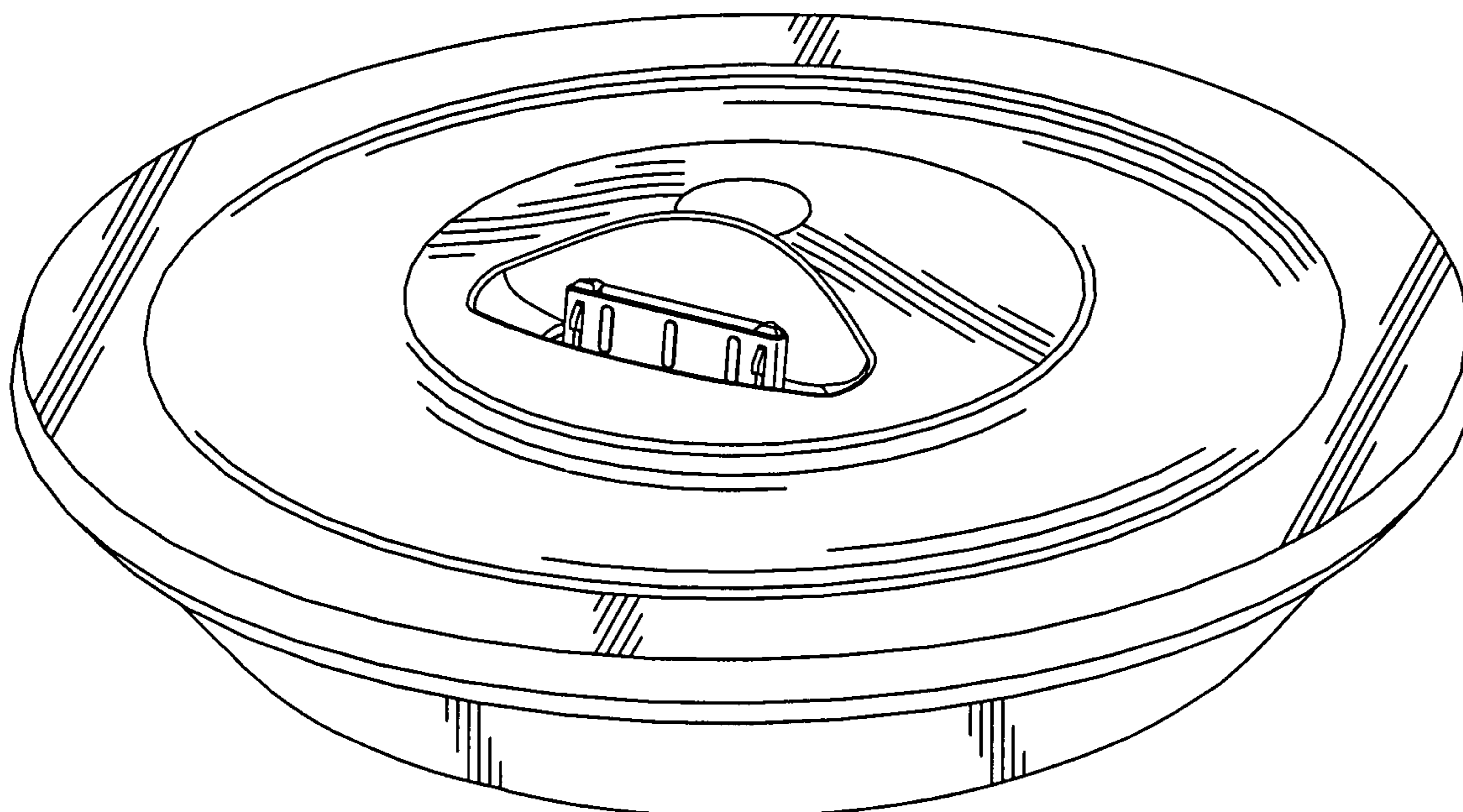
FIG. 4 is a left side elevational view thereof;

FIG. 5 is a right side elevational view thereof;

FIG. 6 is a top plan view thereof; and,

FIG. 7 is a bottom plan view thereof.

1 Claim, 7 Drawing Sheets



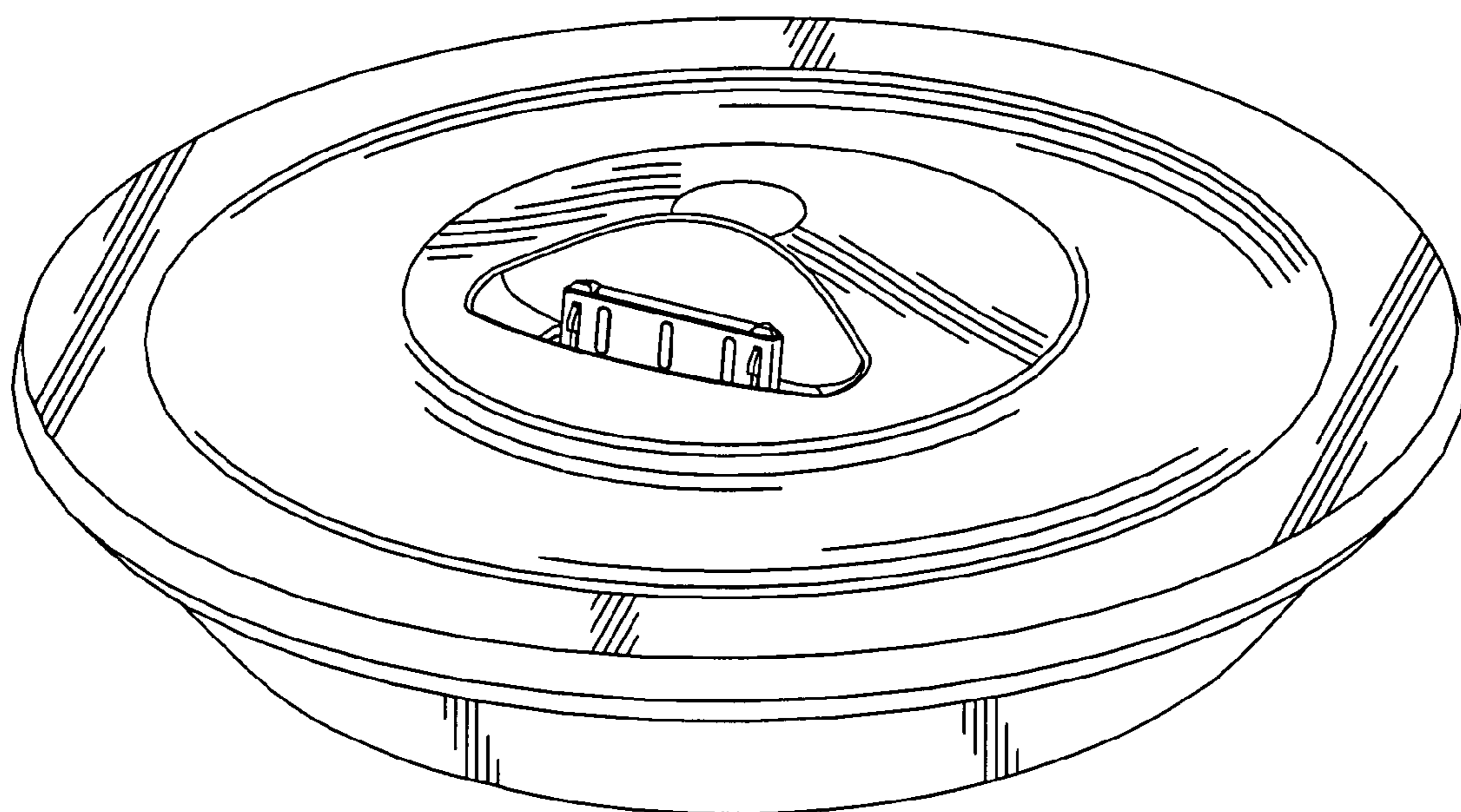


FIG. 1

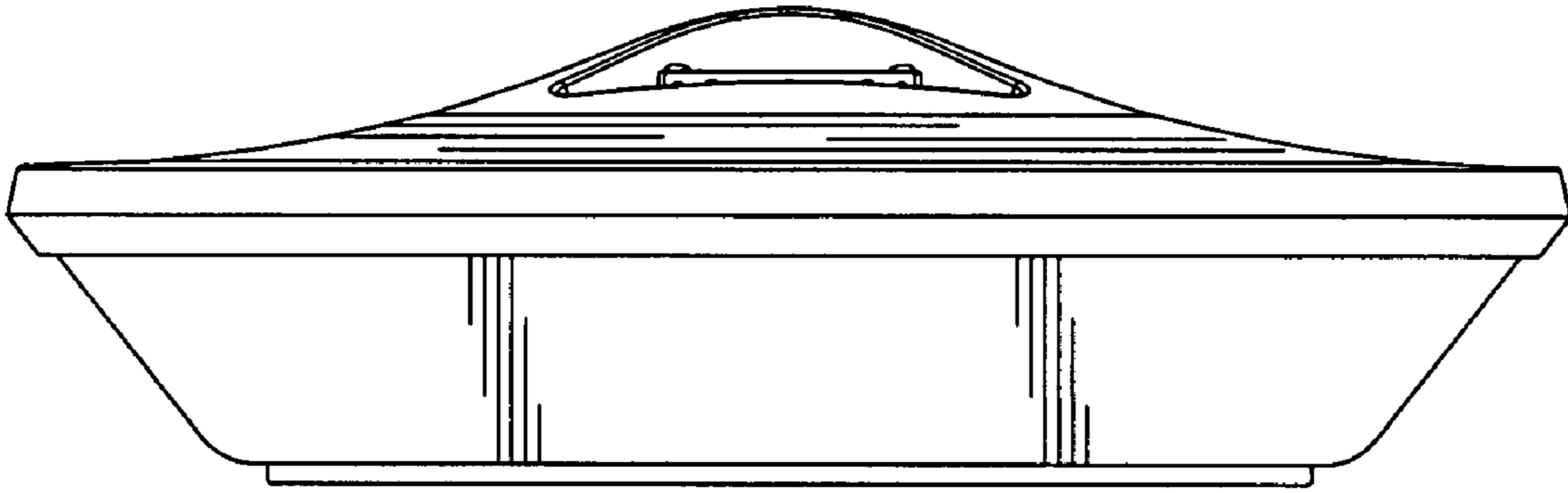


FIG. 2

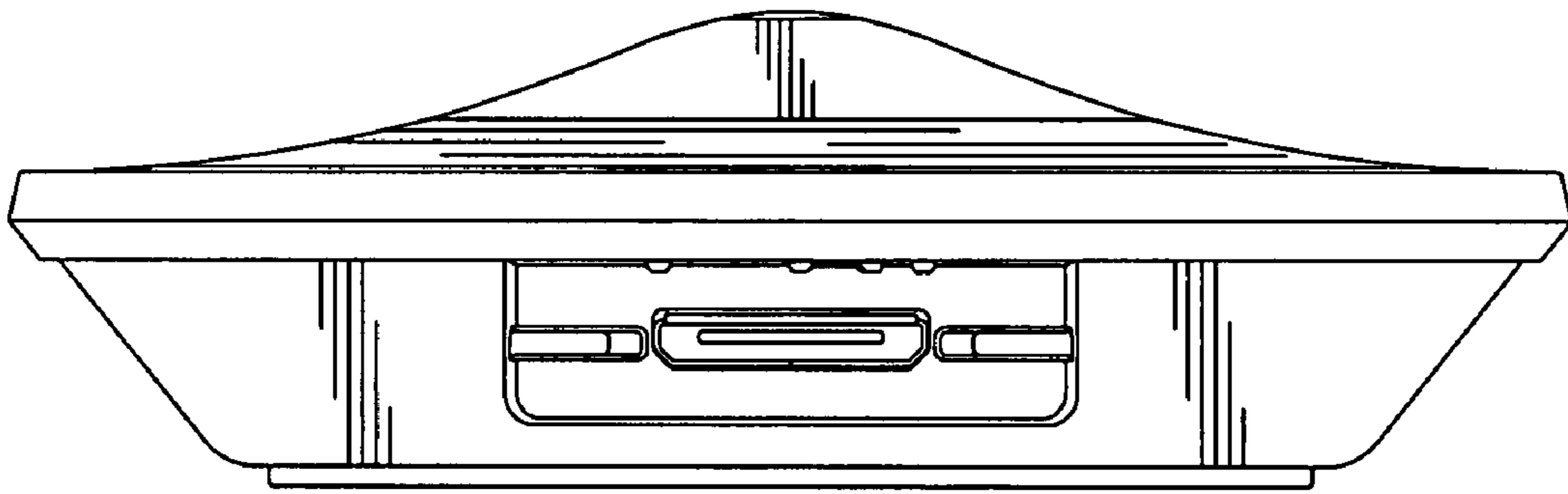


FIG. 3

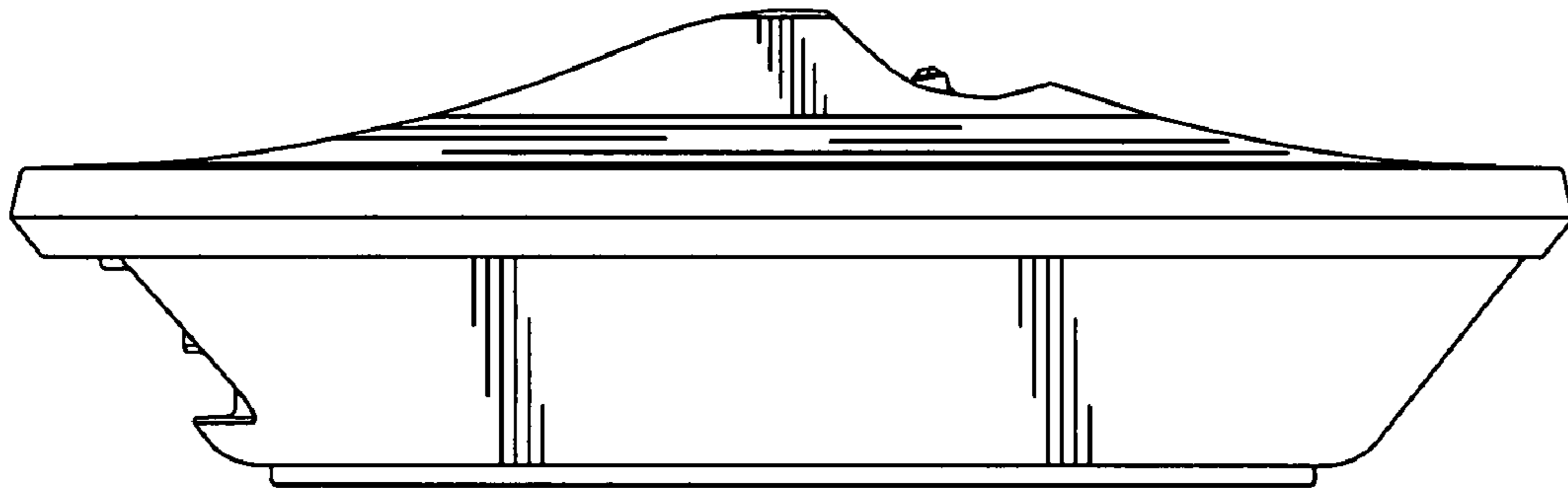


FIG. 4

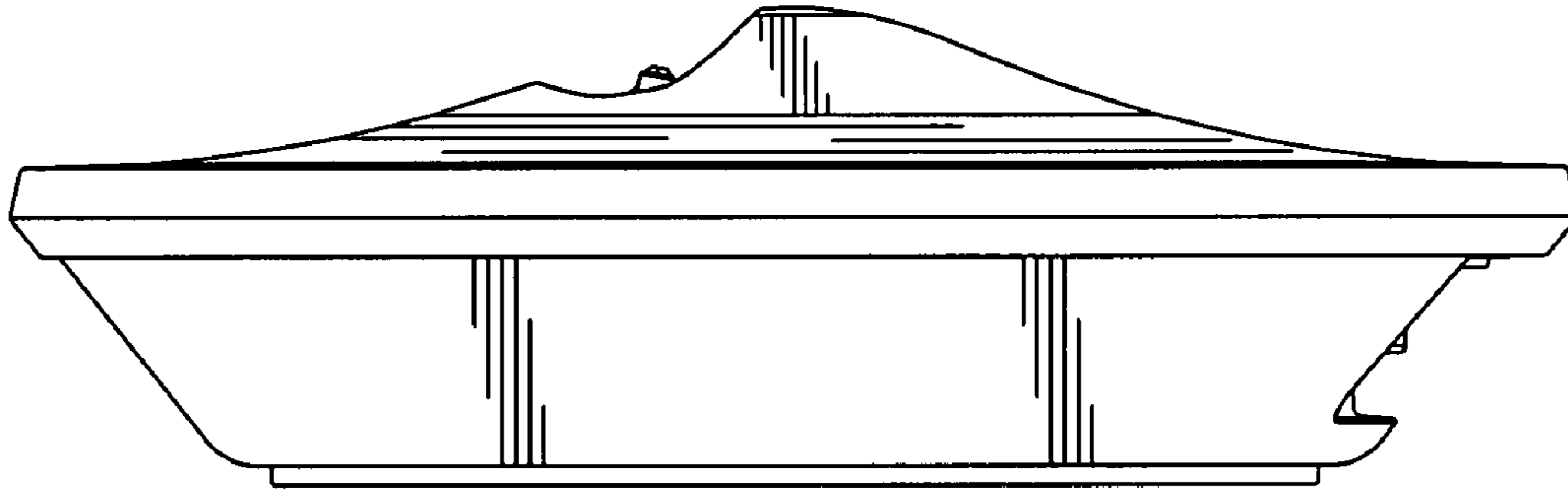


FIG. 5

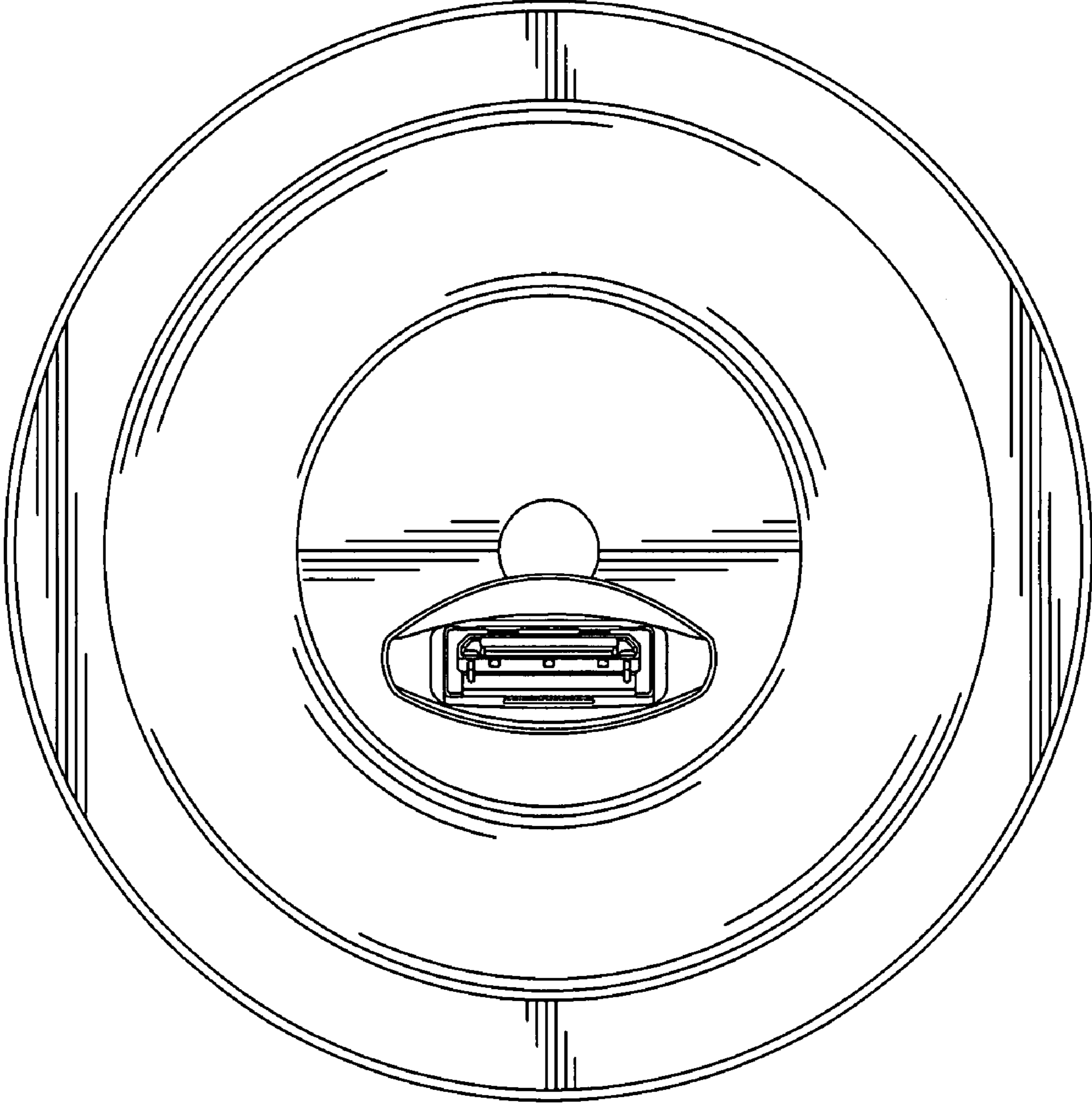


FIG. 6

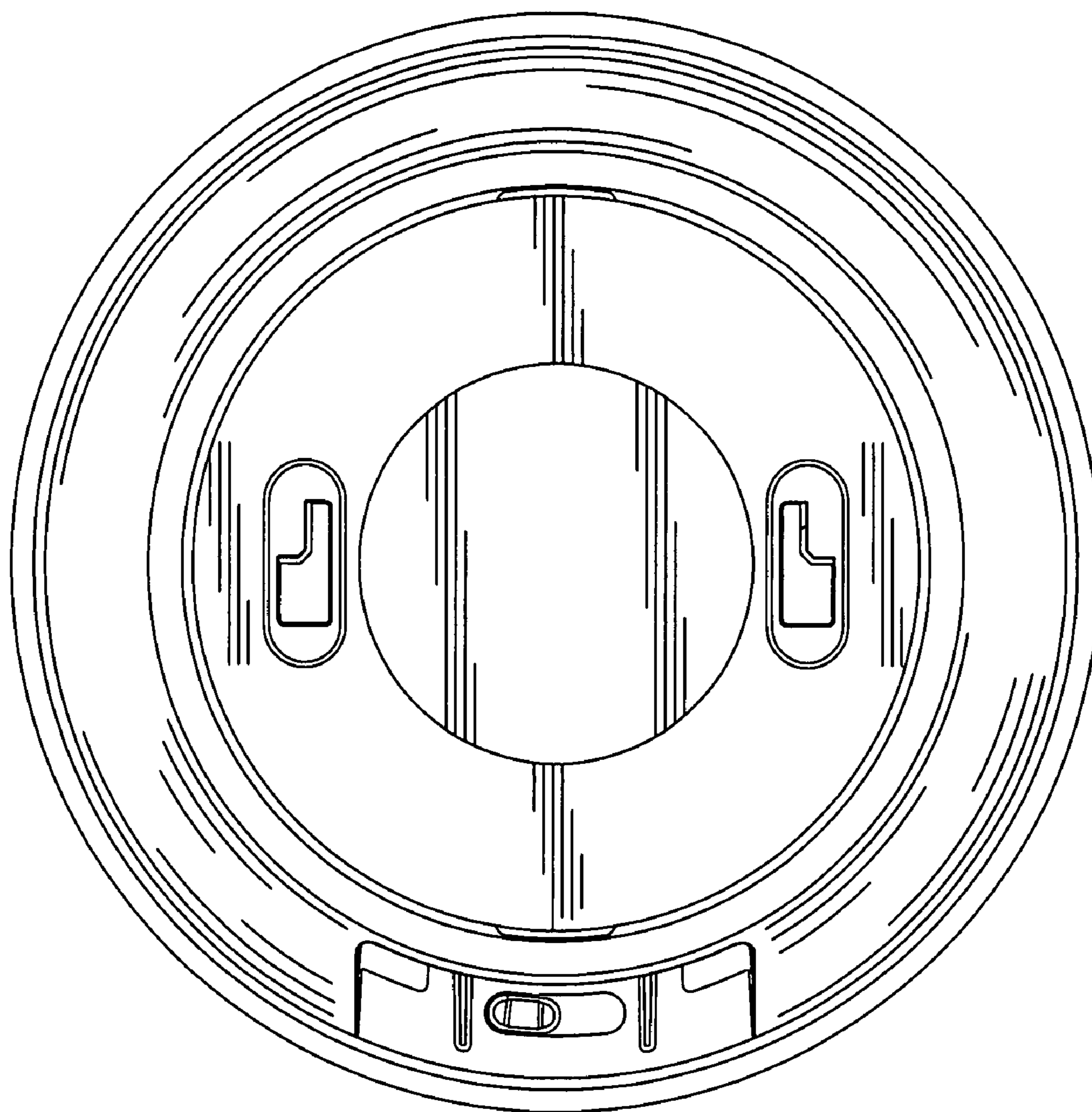


FIG. 7