



US00D575288S

(12) **United States Design Patent**
Chen

(10) **Patent No.:** **US D575,288 S**

(45) **Date of Patent:** **** Aug. 19, 2008**

(54) **KEYBOARD, VIDEO AND MOUSE (KVM) SWITCH**

D494,969 S * 8/2004 Lin D14/356
D496,653 S * 9/2004 Townsend et al. D14/433
D500,485 S * 1/2005 Deguchi D14/435

(75) Inventor: **Ya-Lin Chen**, Taipei Hsien (TW)

* cited by examiner

(73) Assignee: **Aten International Co., Ltd.**, Taipei Hsien (TW)

Primary Examiner—Cathron Brooks

Assistant Examiner—Deanna Fluegeman

(**) Term: **14 Years**

(74) *Attorney, Agent, or Firm*—Pai Patent and Trademark Law Firm; Chao-Chang David Pai

(21) Appl. No.: **29/275,637**

(57) **CLAIM**

(22) Filed: **Jan. 2, 2007**

The ornamental design for a keyboard, video and mouse (KVM) switch, as shown and described.

(51) **LOC (8) Cl.** **14-02**

(52) **U.S. Cl.** **D14/432; D14/433**

(58) **Field of Classification Search** D14/356–358, D14/362, 363, 365, 368, 370, 383, 385, 388, D14/432, 433, 435, 439, 442, 443; D13/147, D13/158, 162, 164, 171; 439/638; 710/10, 710/62, 100, 63, 316, 16, 72

DESCRIPTION

FIG. 1 is a perspective view of a keyboard, video and mouse (KVM) switch showing my new design;

FIG. 2 is a front view thereof;

FIG. 3 is a rear view thereof;

FIG. 4 is a right side view thereof;

FIG. 5 is a left side view thereof;

FIG. 6 is a top view thereof; and,

FIG. 7 is a bottom view thereof.

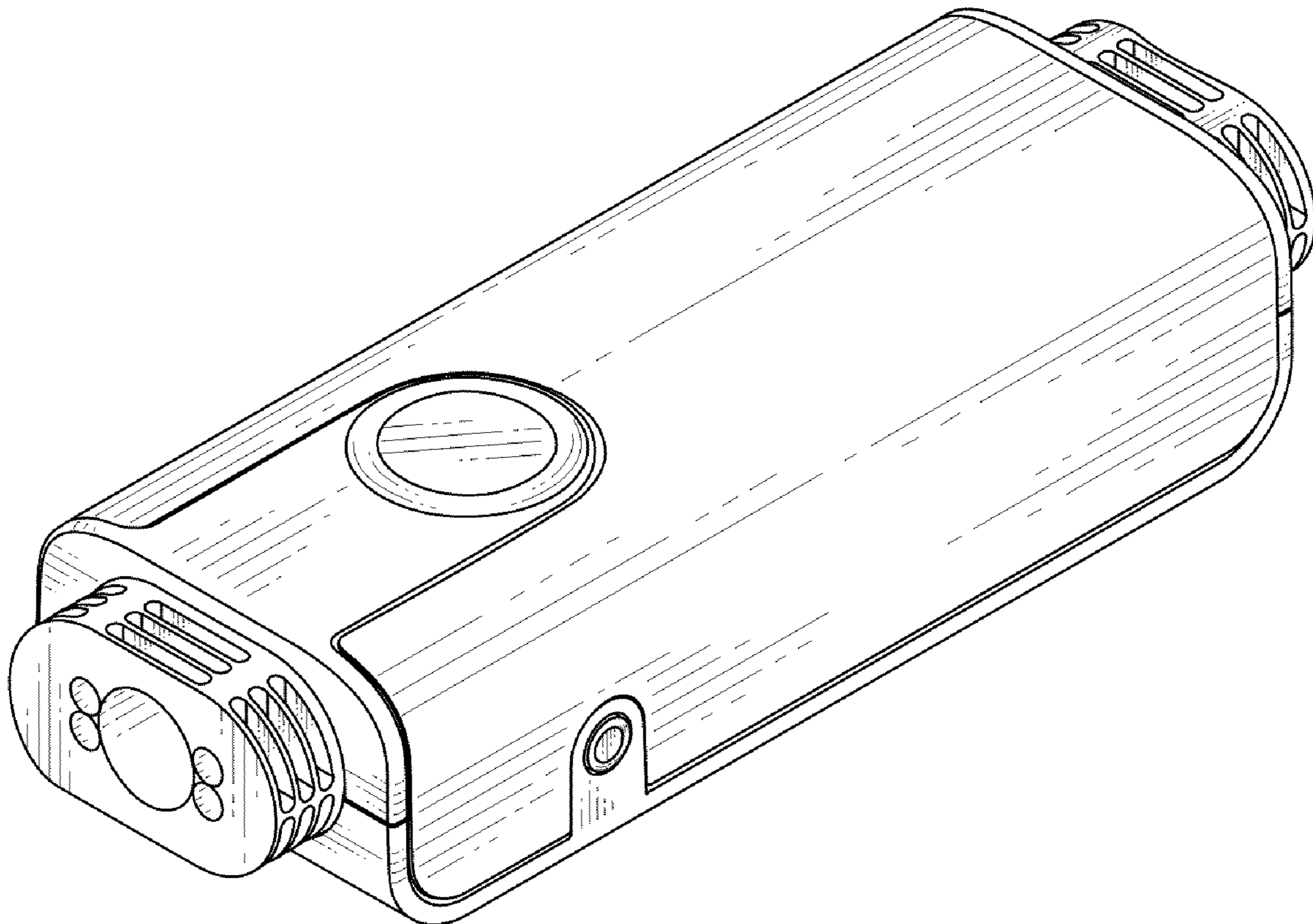
See application file for complete search history.

(56) **References Cited**

U.S. PATENT DOCUMENTS

D420,982 S * 2/2000 Yuyama D13/158
D470,499 S * 2/2003 Salazar et al. D14/433
D478,548 S * 8/2003 Wu D13/147

1 Claim, 4 Drawing Sheets



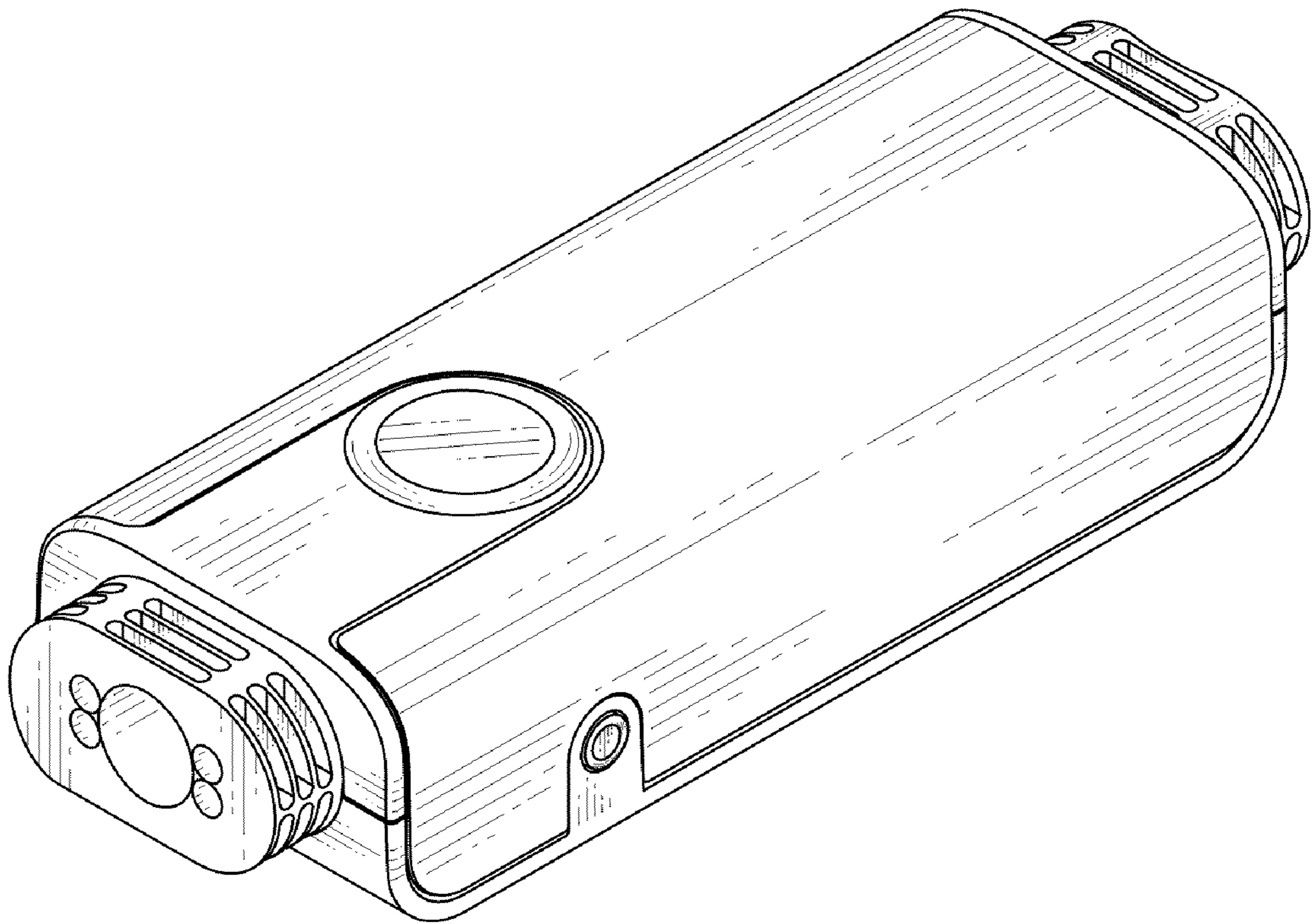


Fig. 1

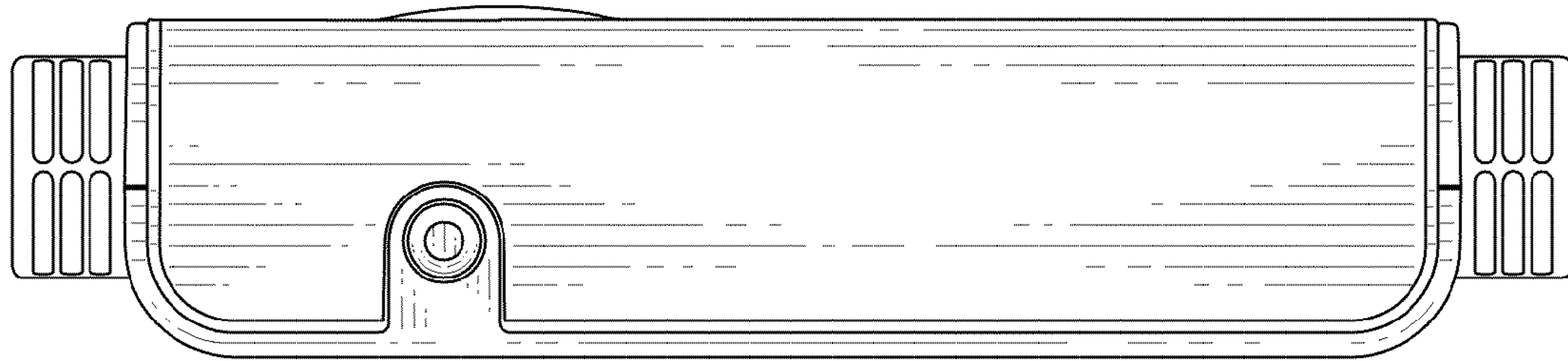


Fig. 2

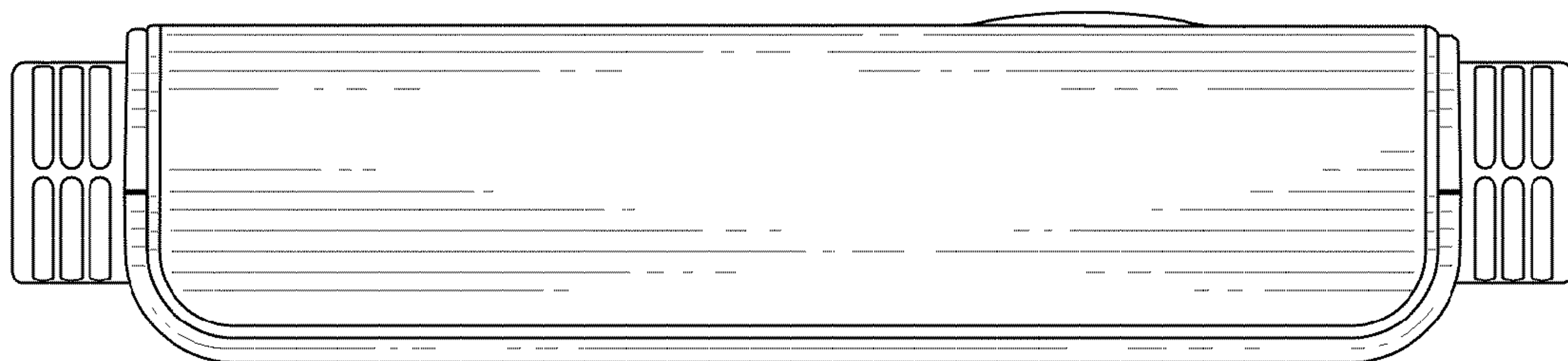


Fig. 3

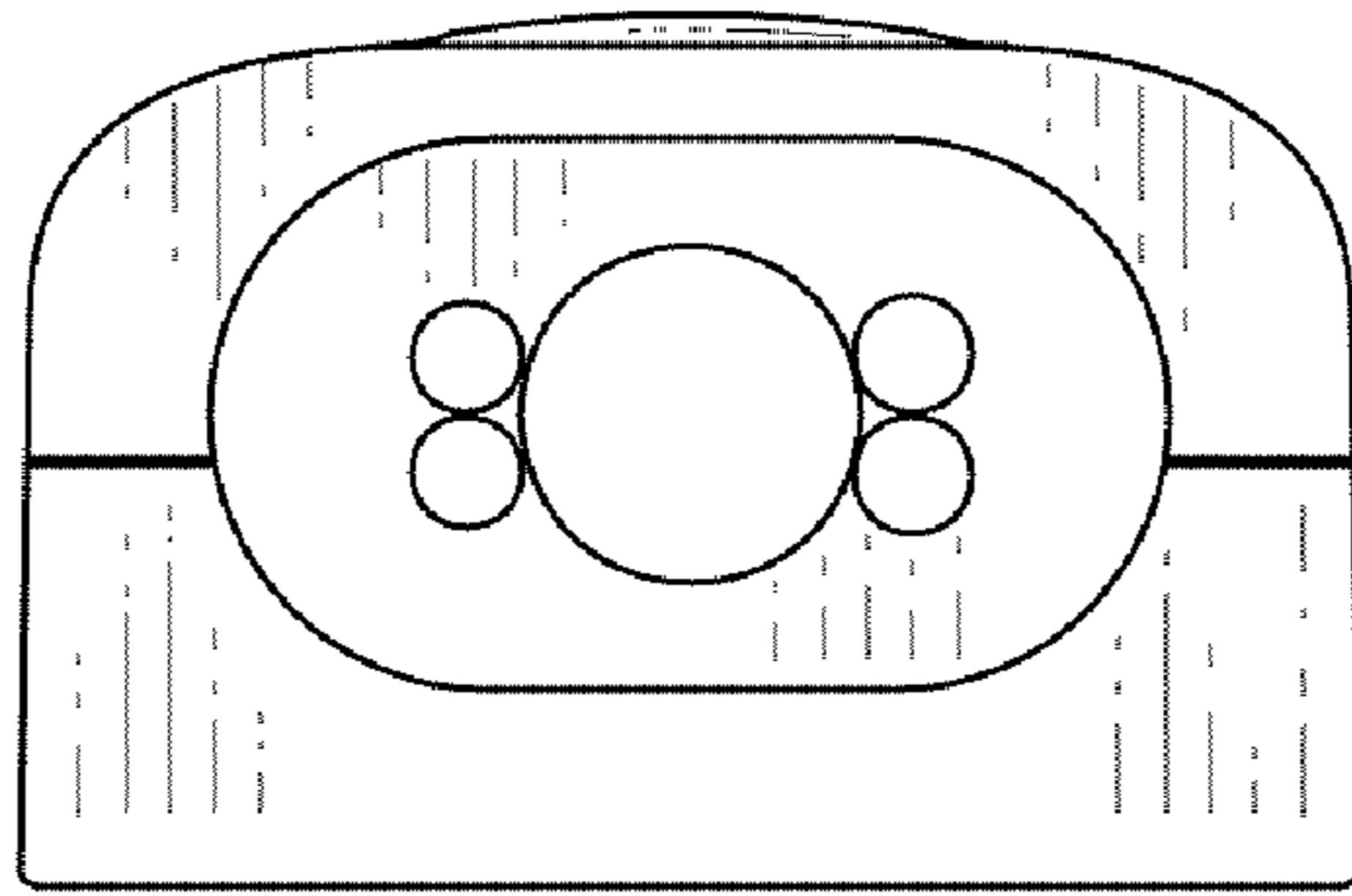


Fig. 4

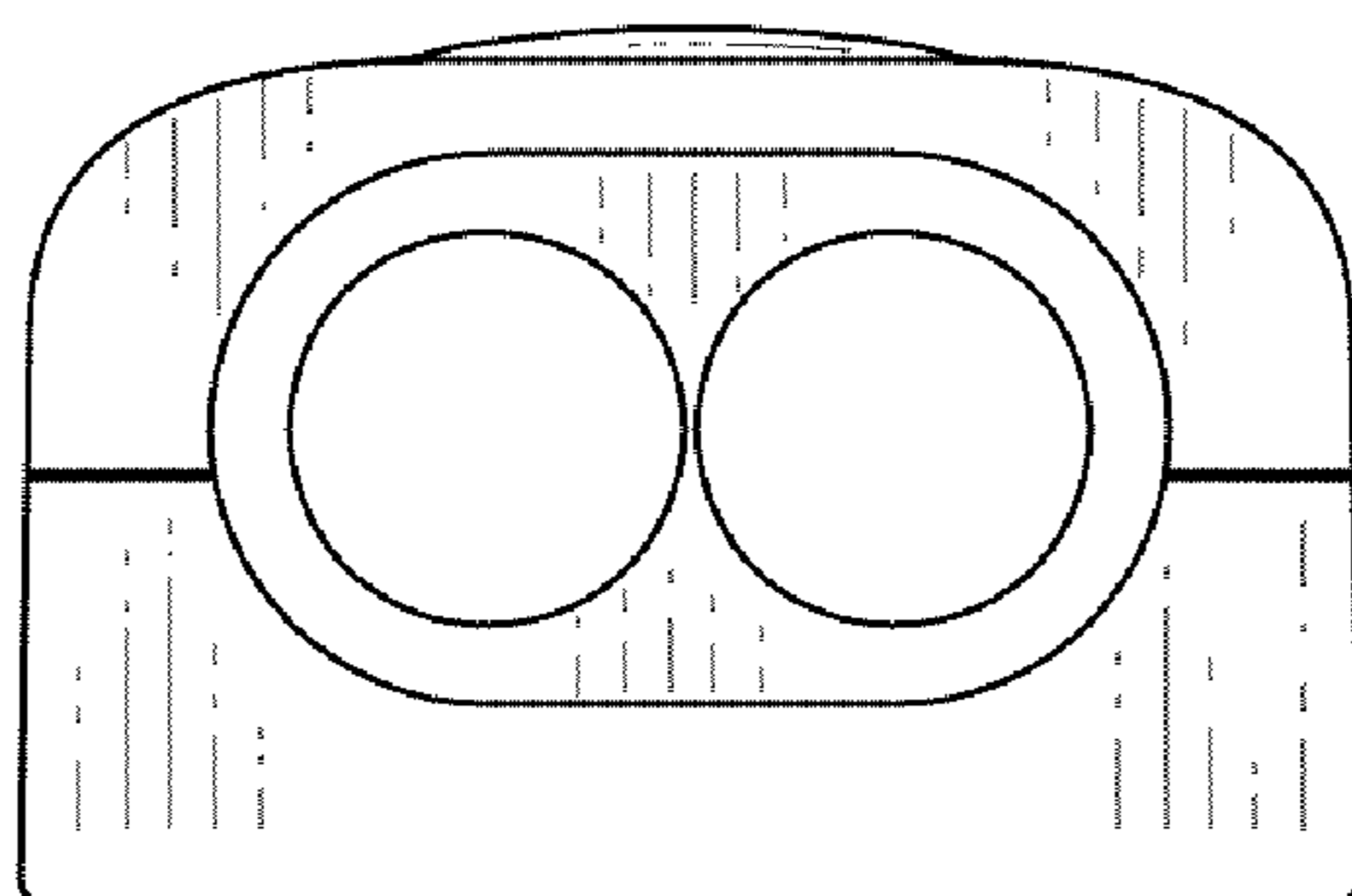


Fig. 5

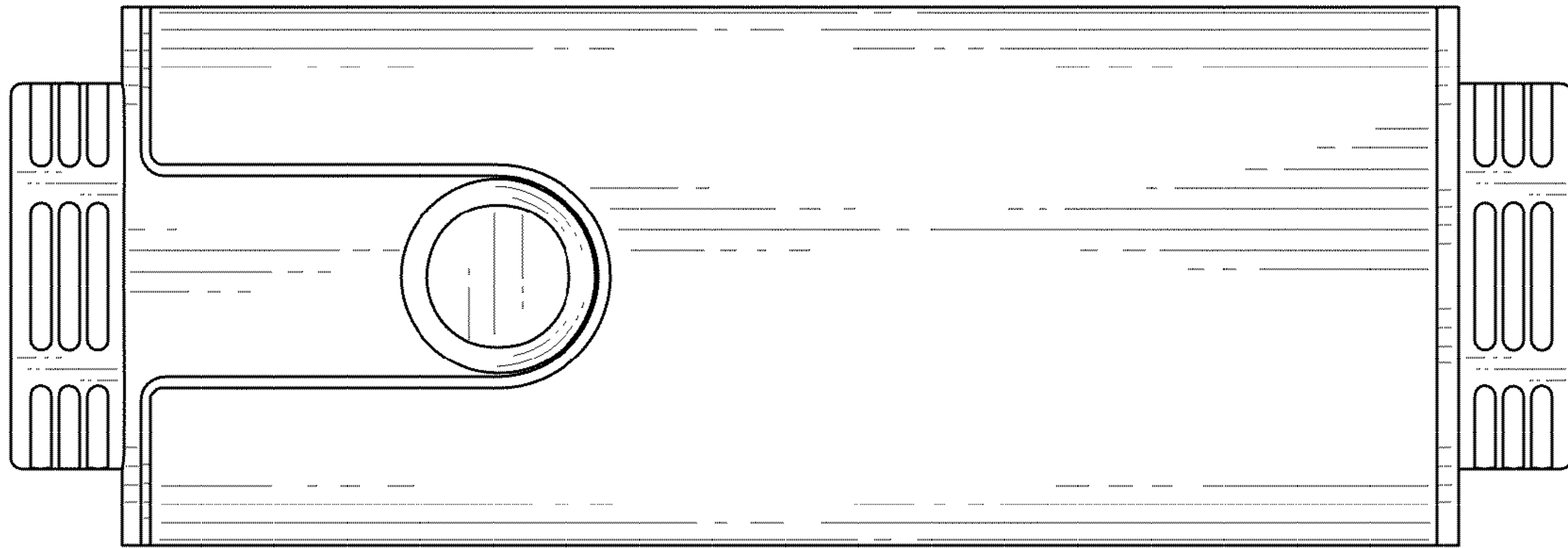


Fig. 6

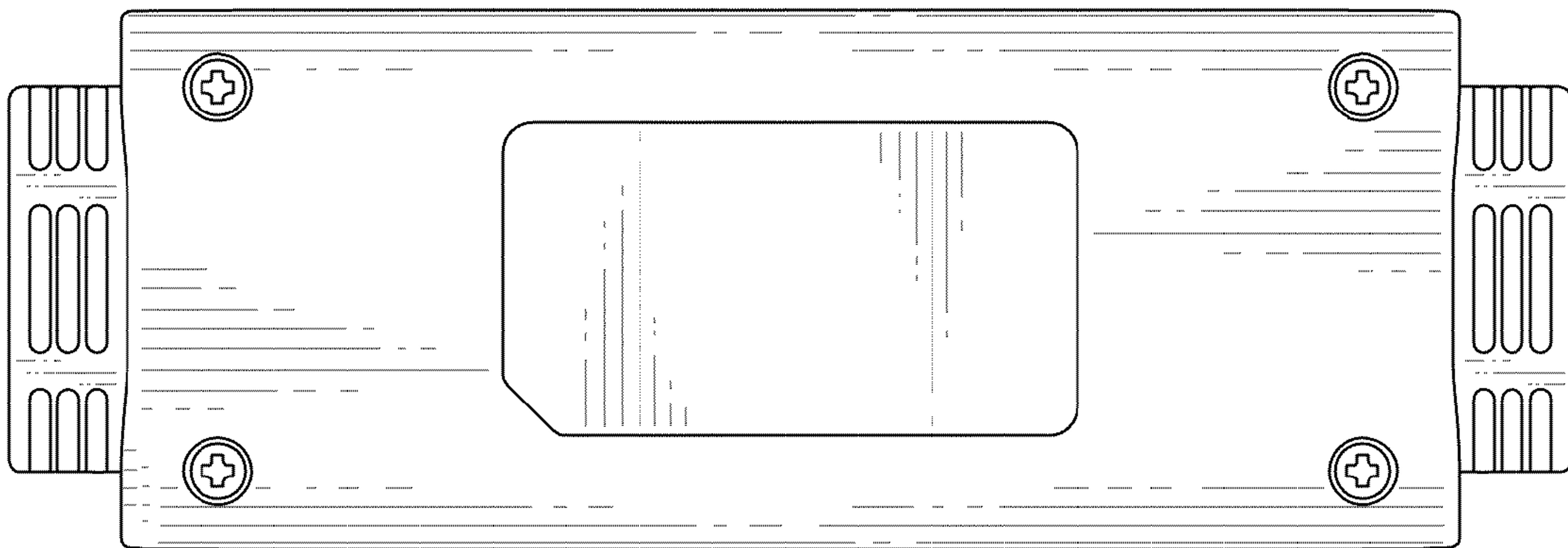


Fig. 7