



US00D575287S

(12) **United States Design Patent**
Miyashita

(10) **Patent No.:** **US D575,287 S**

(45) **Date of Patent:** **** Aug. 19, 2008**

(54) **MOBILE TERMINAL**

(75) Inventor: **Kenichi Miyashita**, Yokohama (JP)

(73) Assignee: **Casio Computer Co., Ltd.**, Tokyo (JP)

(**) Term: **14 Years**

(21) Appl. No.: **29/293,352**

(22) Filed: **Nov. 19, 2007**

(51) **LOC (8) Cl.** **14-02**

(52) **U.S. Cl.** **D14/426**

(58) **Field of Classification Search** D14/420,
D14/426-430, 453, 346, 341, 347, 412; D13/107,
D13/184; 358/473; 235/462.43, 462.45,
235/462.47, 462.48, 462.44, 462.46, 487,
235/472.01, 472.02; 16/110.1, 430, 431;
439/133, 135; 709/219, 201; 710/73; 320/114,
320/115, 123; 361/679; 382/313, 321; 455/575.1,
455/561, 572

See application file for complete search history.

(56) **References Cited**

U.S. PATENT DOCUMENTS

D355,904 S *	2/1995	Swartz et al.	D14/429
D357,240 S *	4/1995	Kitazumi et al.	D14/429
D363,470 S *	10/1995	Yamamoto	D14/347
5,576,530 A *	11/1996	Hagerty	235/462.47
D383,124 S *	9/1997	Lanzaro et al.	D14/429
D386,152 S *	11/1997	Warneke	D14/347
D390,554 S *	2/1998	Larson et al.	D14/137
D391,234 S *	2/1998	Chacon et al.	D14/341
5,736,726 A *	4/1998	VanHorn et al.	235/472.02
D398,903 S *	9/1998	Chacon et al.	D14/343

5,831,819 A *	11/1998	Chacon et al.	361/683
D414,470 S *	9/1999	Chacon et al.	D14/341
5,969,328 A *	10/1999	Kunert	235/472.01
6,031,524 A *	2/2000	Kunert	345/173
D428,883 S *	8/2000	Mizusugi et al.	D14/346
D430,158 S *	8/2000	Bhatia et al.	D14/341
D430,159 S *	8/2000	Bhatia et al.	D14/341
6,109,528 A *	8/2000	Kunert et al.	235/472.01
D439,898 S *	4/2001	Ober et al.	D14/347
D447,141 S *	8/2001	Itoh et al.	D14/385
D462,357 S *	9/2002	Jenkins	D14/426
D496,366 S *	9/2004	Croley et al.	D14/429

* cited by examiner

Primary Examiner—Melanie Tung

Assistant Examiner—Susan Moon Lee

(74) *Attorney, Agent, or Firm*—Frishauf, Holtz, Goodman & Chick, P.C.

(57) **CLAIM**

The ornamental design for a mobile terminal, as shown.

DESCRIPTION

FIG. 1 is a front, right side, top perspective view of a mobile terminal showing my new design;

FIG. 2 is a front elevational view thereof;

FIG. 3 is a rear elevational view thereof;

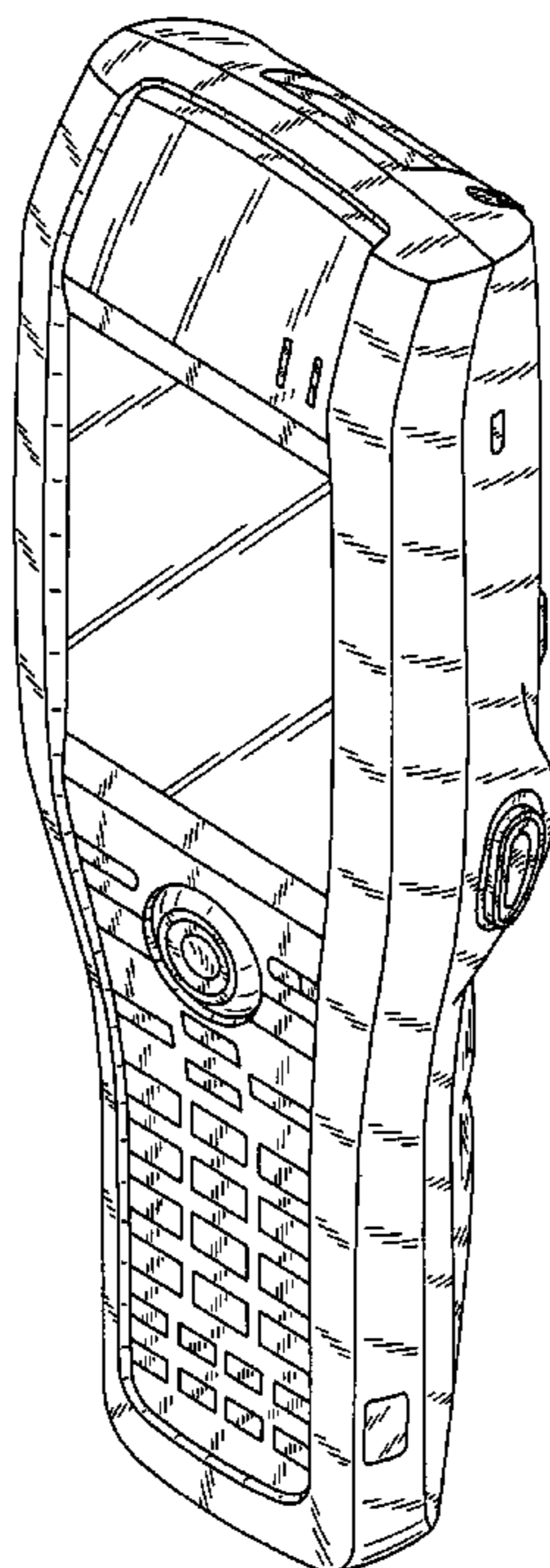
FIG. 4 is a left side view thereof;

FIG. 5 is a right side view thereof;

FIG. 6 is a top plan view thereof; and,

FIG. 7 is a bottom plan view thereof.

1 Claim, 6 Drawing Sheets



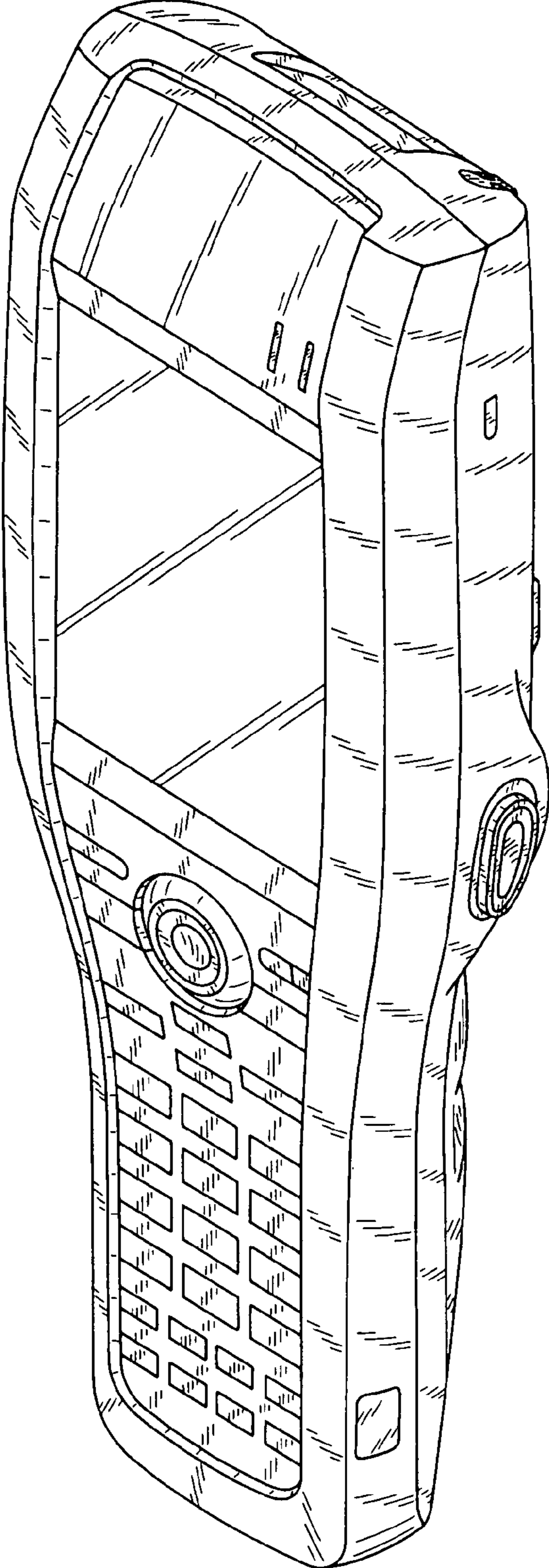


FIG. 1

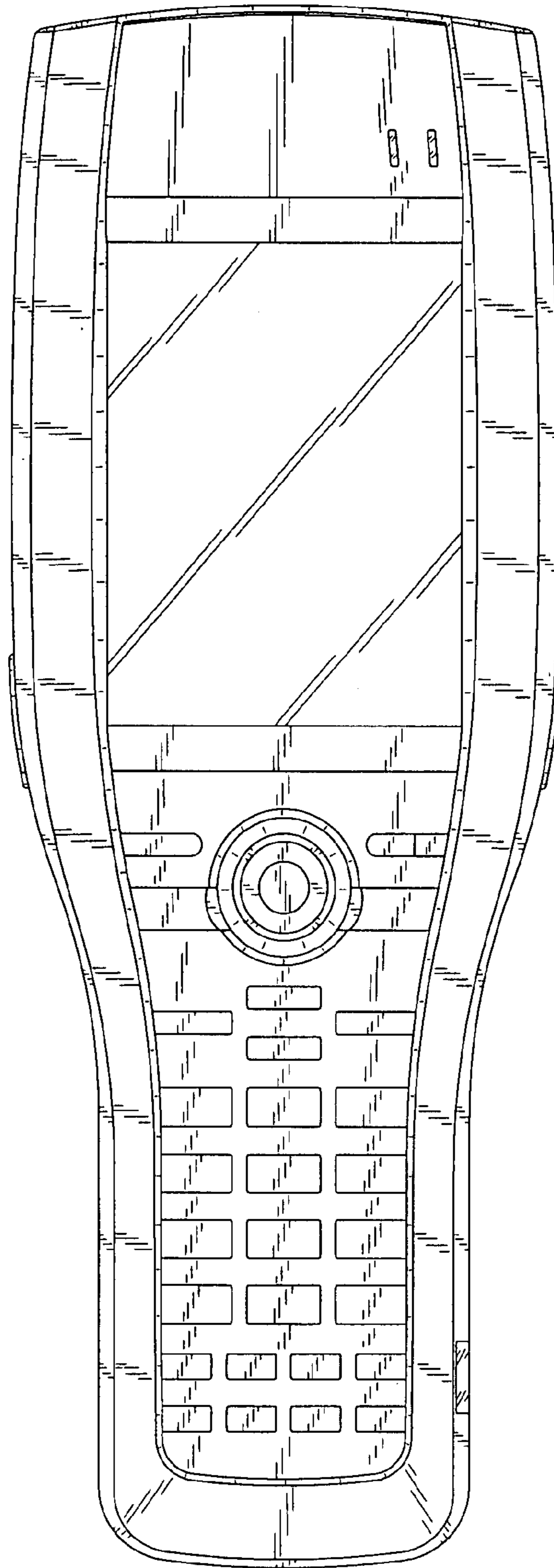


FIG. 2

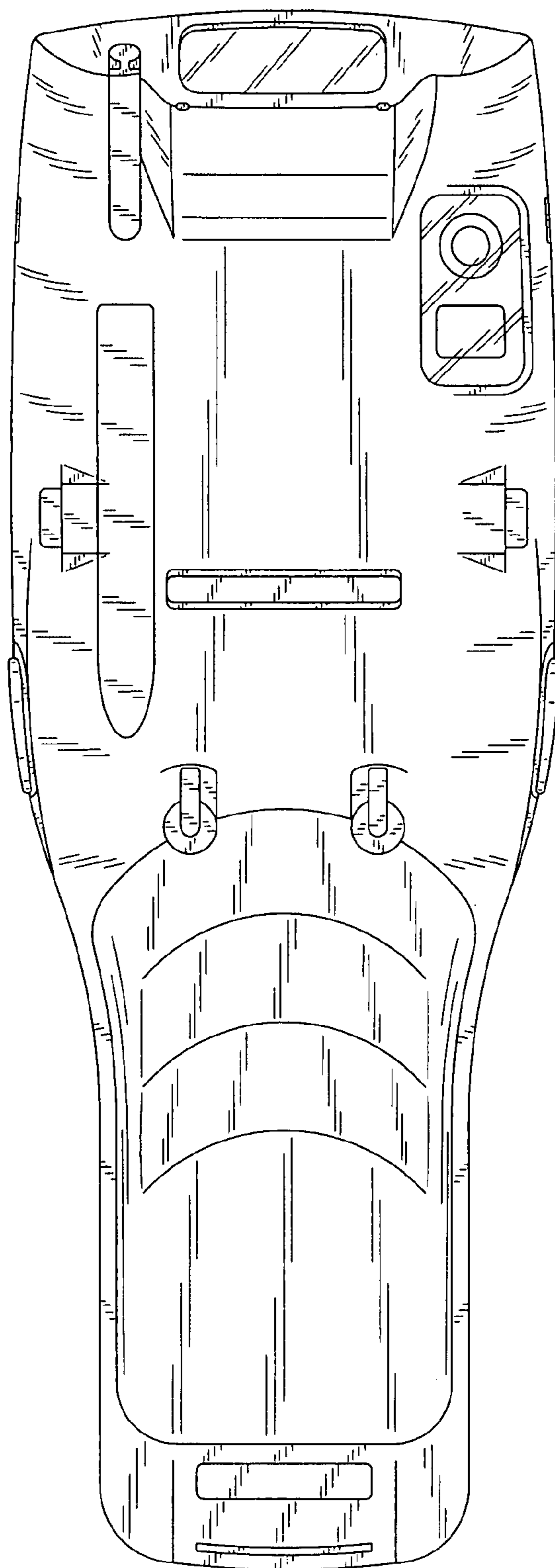


FIG. 3

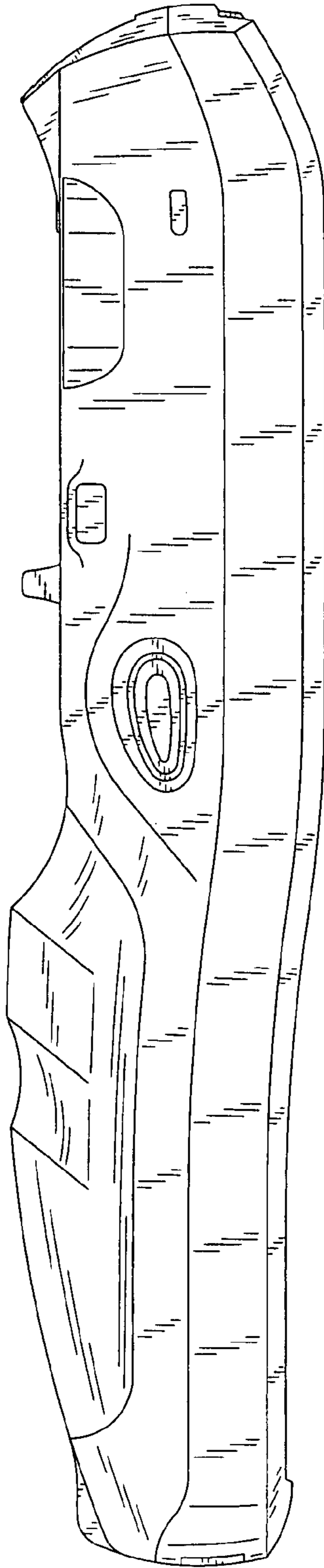


FIG. 4

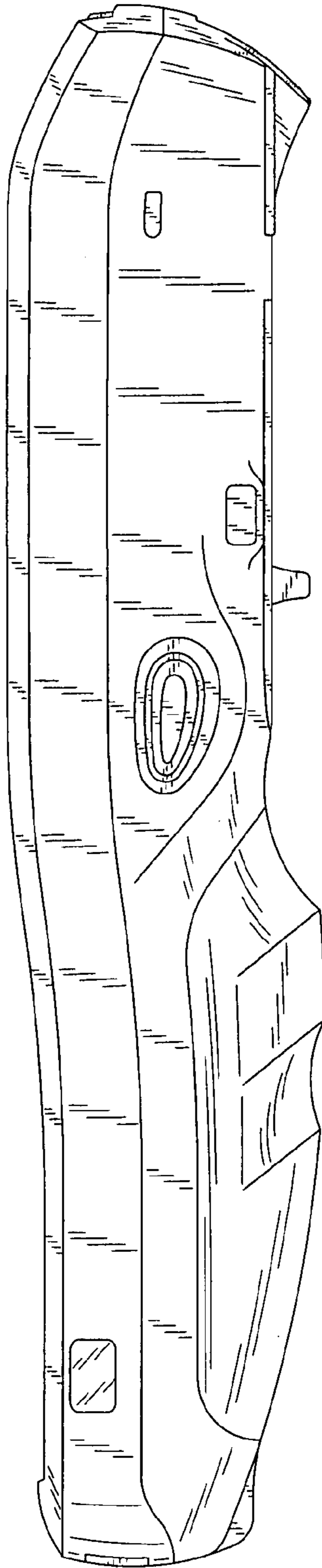


FIG. 5

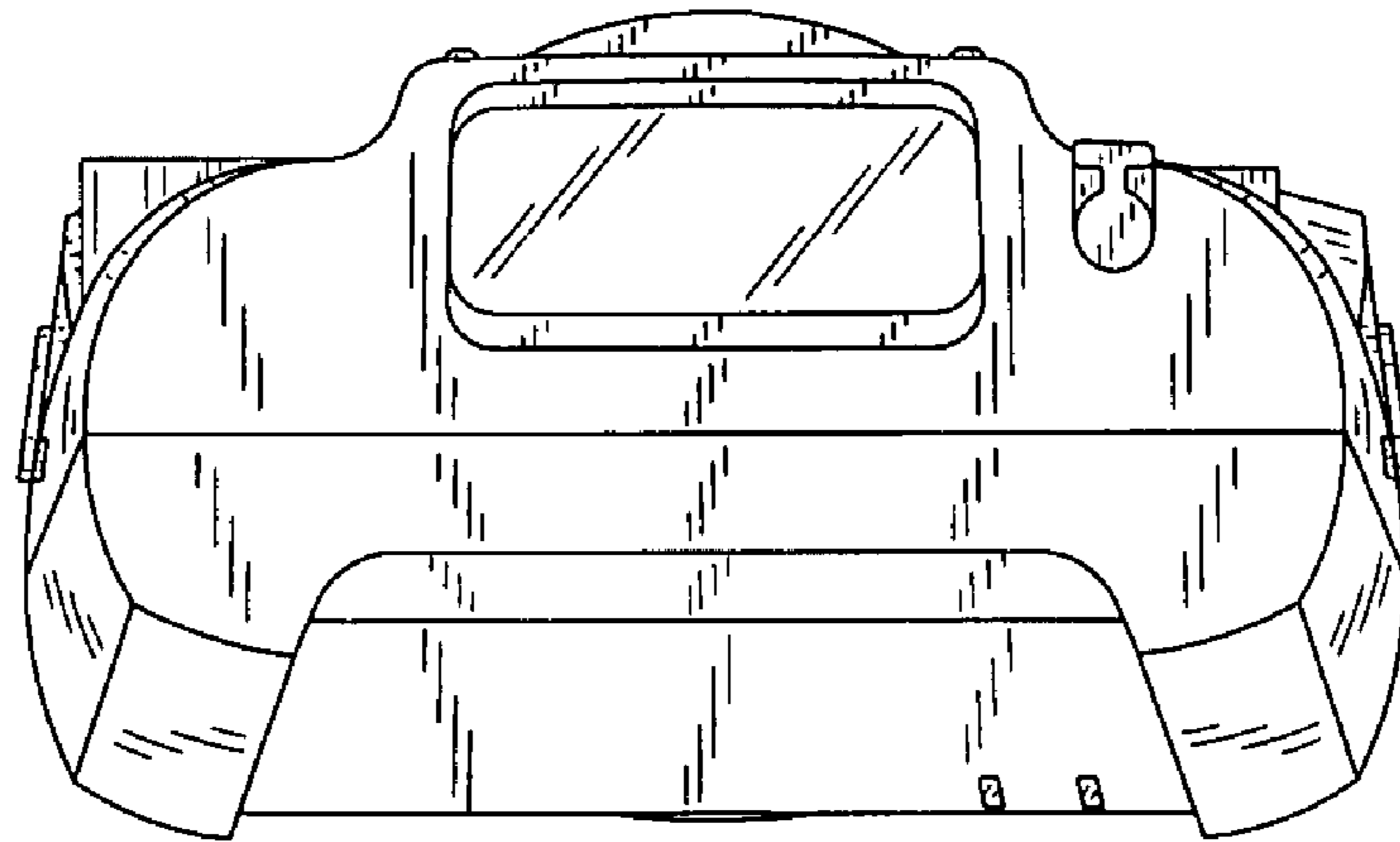


FIG. 6

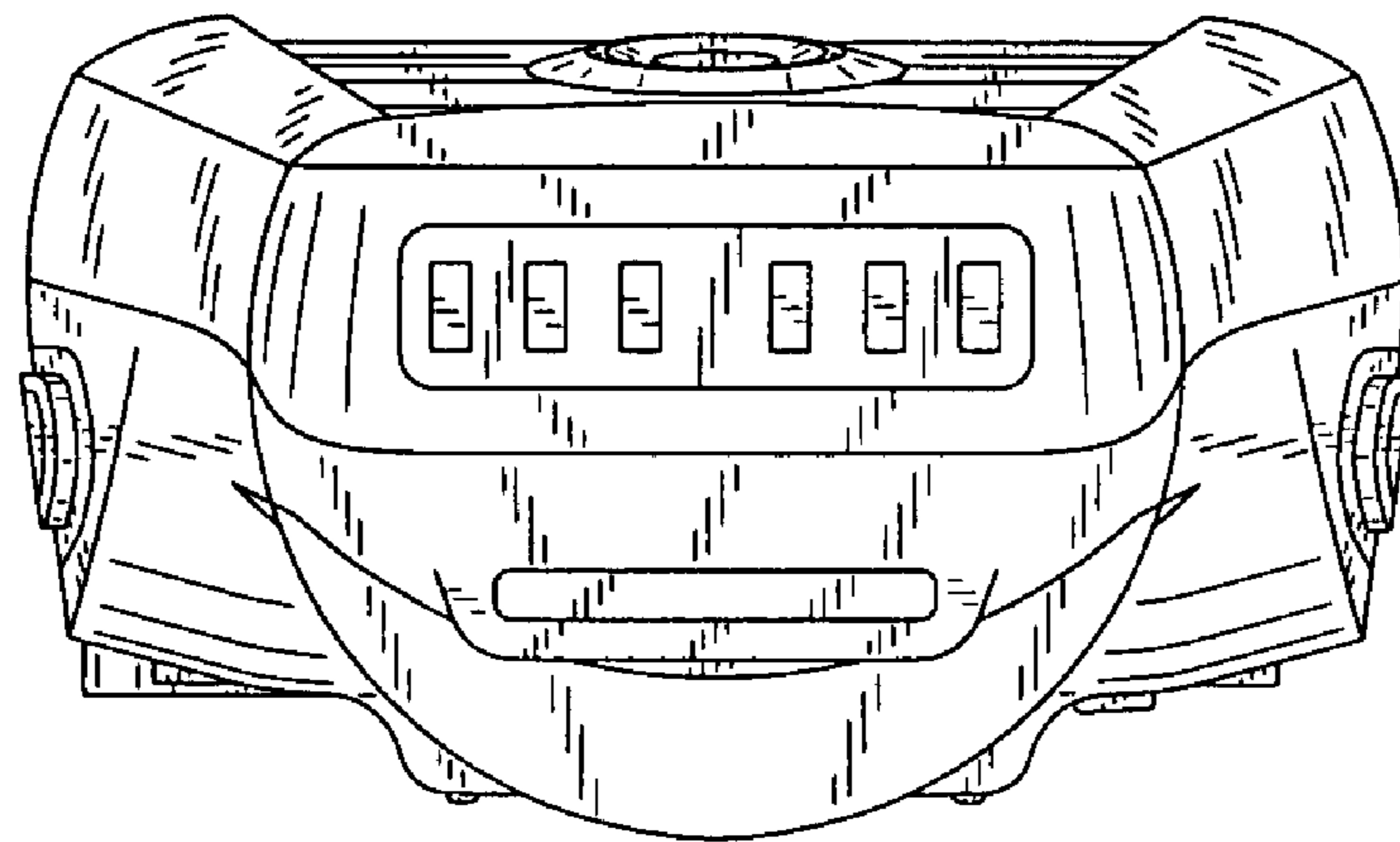


FIG. 7