



US00D575285S

(12) **United States Design Patent**
Ashida et al.

(10) **Patent No.:** **US D575,285 S**
(45) **Date of Patent:** **** Aug. 19, 2008**

(54) **CONTROLLER FOR ELECTRONIC GAME MACHINE**

D320,624 S * 10/1991 Taylor D21/331
D325,225 S 4/1992 Adhida
5,178,477 A 1/1993 Gambaro
5,207,426 A * 5/1993 Inoue et al. 463/36
D338,242 S * 8/1993 Cordell D14/401
5,259,626 A * 11/1993 Ho 463/37

(75) Inventors: **Kenichiro Ashida**, Kyoto (JP); **Junji Takamoto**, Kyoto (JP); **Masato Ibuki**, Kyoto (JP); **Shinji Yamamoto**, Kyoto (JP); **Hirokazu Matsui**, Kyoto (JP); **Daisuke Kumazaki**, Kyoto (JP); **Akiko Suga**, Kyoto (JP)

(73) Assignee: **Nintendo Co., Ltd.**, Kyoto (JP)

(Continued)

(**) Term: **14 Years**

FOREIGN PATENT DOCUMENTS

(21) Appl. No.: **29/287,723**

JP 6-308879 11/1994

(22) Filed: **Sep. 12, 2007**

Related U.S. Application Data

OTHER PUBLICATIONS

(62) Division of application No. 29/253,815, filed on Feb. 14, 2006.

JP 6-308879, published Nov. 4, 1994, and English Abstract.

(Continued)

(30) **Foreign Application Priority Data**

Aug. 17, 2005 (JP) 2005-23841
Aug. 17, 2005 (JP) 2005-23842
Aug. 17, 2005 (JP) 2005-23843
Aug. 17, 2005 (JP) 2005-23847
Aug. 17, 2005 (JP) 2005-23848
Aug. 17, 2005 (JP) 2005-23849
Aug. 17, 2005 (JP) 2005-23851

Primary Examiner—Prabhakar Deshmukh
(74) *Attorney, Agent, or Firm*—Nixon & Vanderhye, PC

(57) **CLAIM**

The ornamental design for a controller for electronic game machine, as shown and described.

(51) **LOC (8) Cl.** **14-02**

(52) **U.S. Cl.** **D14/400**; D21/328; D21/333

(58) **Field of Classification Search** D14/399–401, D14/412, 356, 432, 454, 496; 273/148 B, 273/148 R; 463/1, 29, 43–47; 345/156, 345/161, 168, 169; 74/469, 471 R, 471 XY; D21/324–328, 330–333

See application file for complete search history.

DESCRIPTION

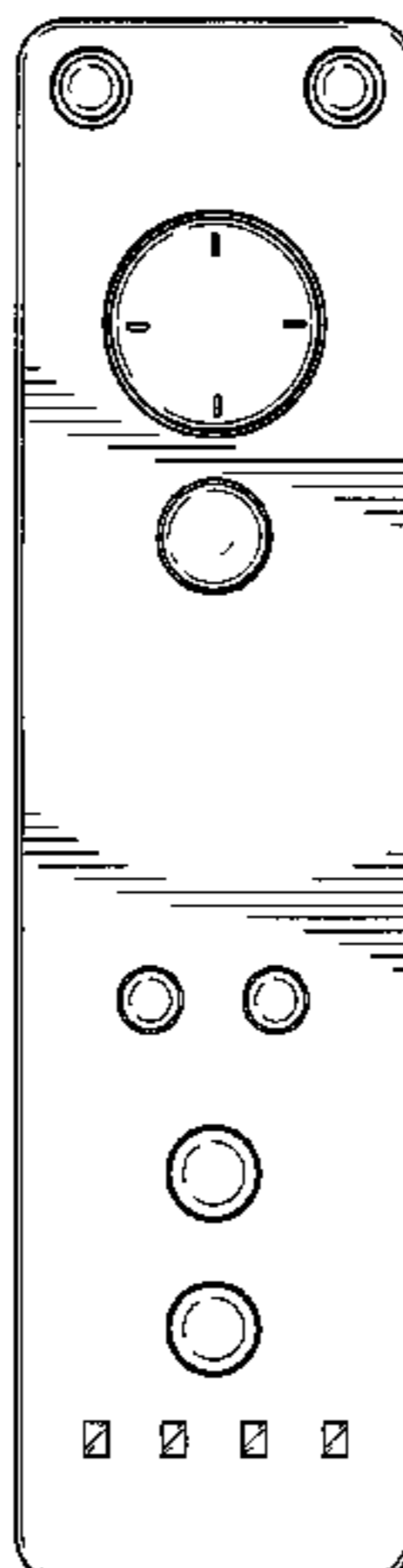
FIG. 1 is a front view of a controller for electronic game machine showing our new design;
FIG. 2 is a rear view thereof;
FIG. 3 is a right side view thereof, a left side view being a mirror image thereof;
FIG. 4 is a top plan view thereof; and,
FIG. 5 is a bottom plan view thereof.

(56) **References Cited**

U.S. PATENT DOCUMENTS

4,969,647 A * 11/1990 Mical et al. 463/31

1 Claim, 2 Drawing Sheets



US D575,285 S

Page 2

U.S. PATENT DOCUMENTS

D345,164 S *	3/1994	Grae	D14/401	5,900,867 A	5/1999	Schindler et al.	
5,332,322 A	7/1994	Gambaro		D456,410 S	4/2002	Ashida	
D350,782 S	9/1994	Barr		D456,854 S	5/2002	Ashida	
D351,430 S	10/1994	Barr		D459,727 S	7/2002	Ashida	
D360,903 S *	8/1995	Barr et al.	D14/401	D462,683 S	9/2002	Ashida	
5,523,800 A *	6/1996	Dudek	348/734	D502,468 S *	3/2005	Knight et al.	D14/400
D375,326 S	11/1996	Yokoi et al.		D505,424 S	5/2005	Ashida et al.	
D376,826 S	12/1996	Ashida					
5,643,087 A *	7/1997	Marcus et al.	463/38				
5,724,106 A	3/1998	Autry et al.					
5,769,719 A *	6/1998	Hsu	463/37				
5,785,317 A *	7/1998	Sasaki	273/148 B				
D397,162 S	8/1998	Yokoi et al.					
D405,071 S	2/1999	Gambaro					

OTHER PUBLICATIONS

“Gyration Ultra Cordless Optical Mouse User Manual,” Gyration, Inc., www.gyration.com.

“This is the Revolution, Nintendo Style,” www.tranism.com/weblog/techness/, Sep. 15, 2005, pp 1-2.

* cited by examiner

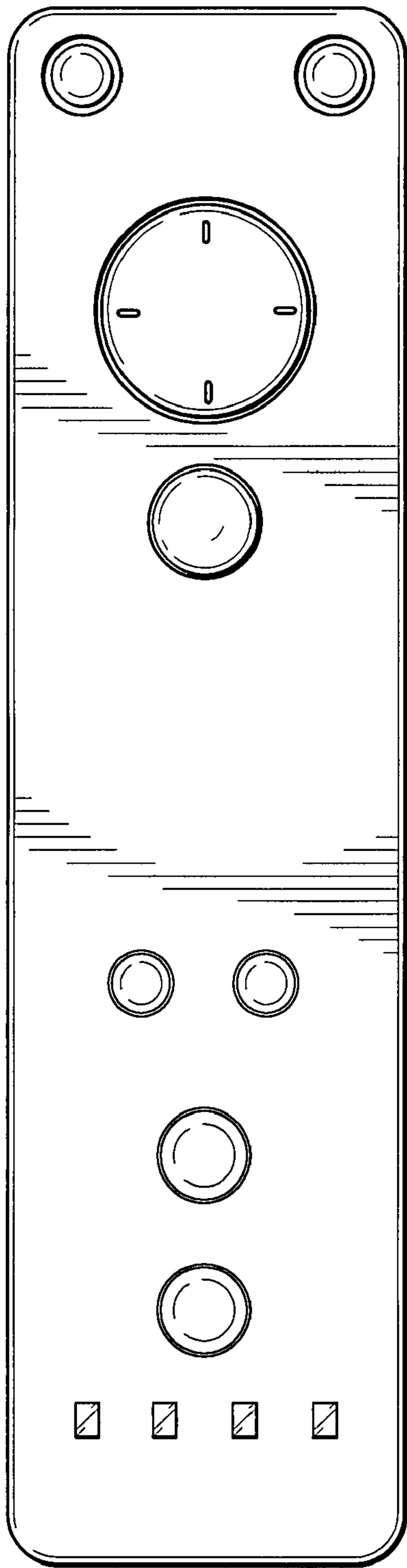


FIG. 1

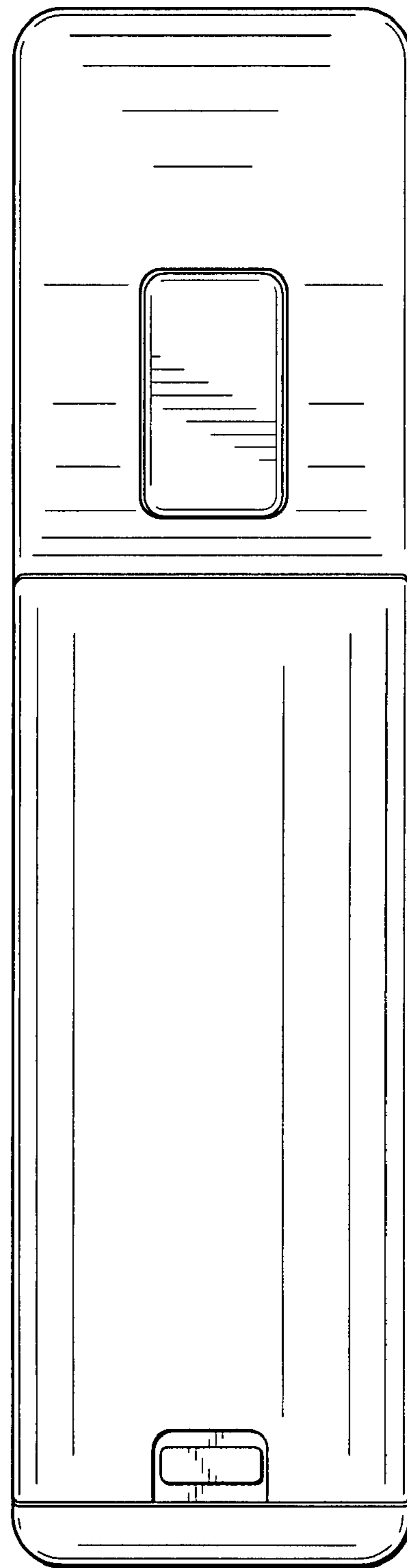


FIG. 2

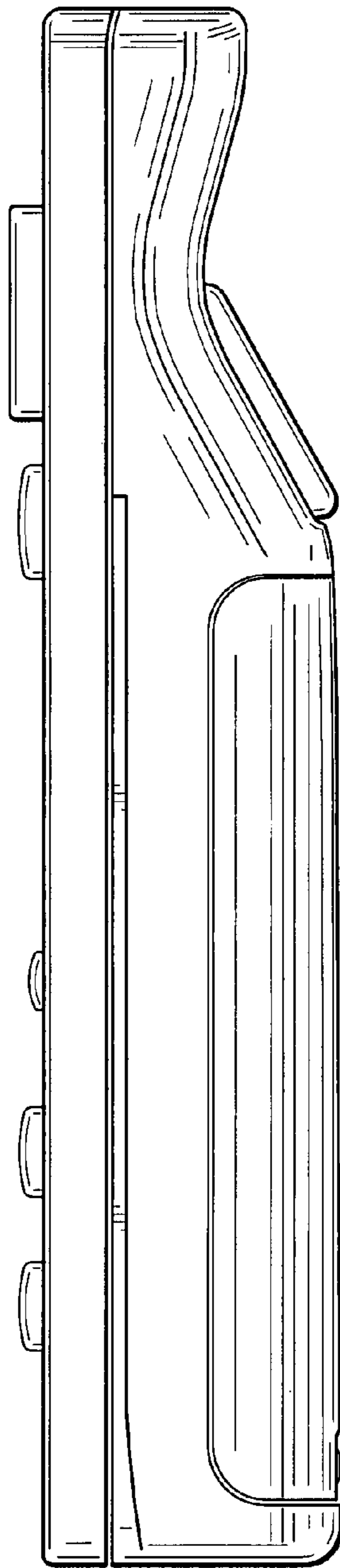


FIG. 3

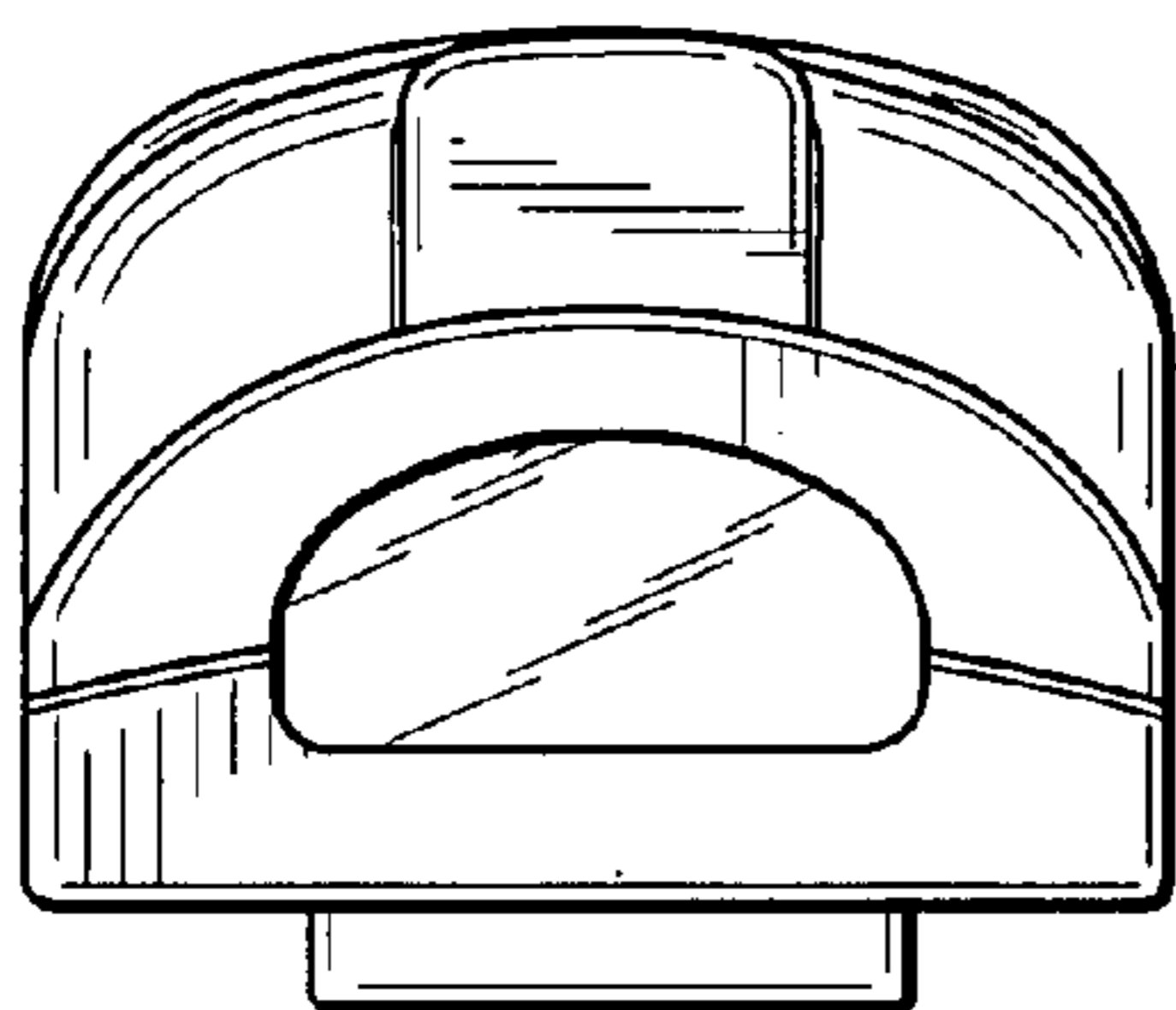


FIG. 4

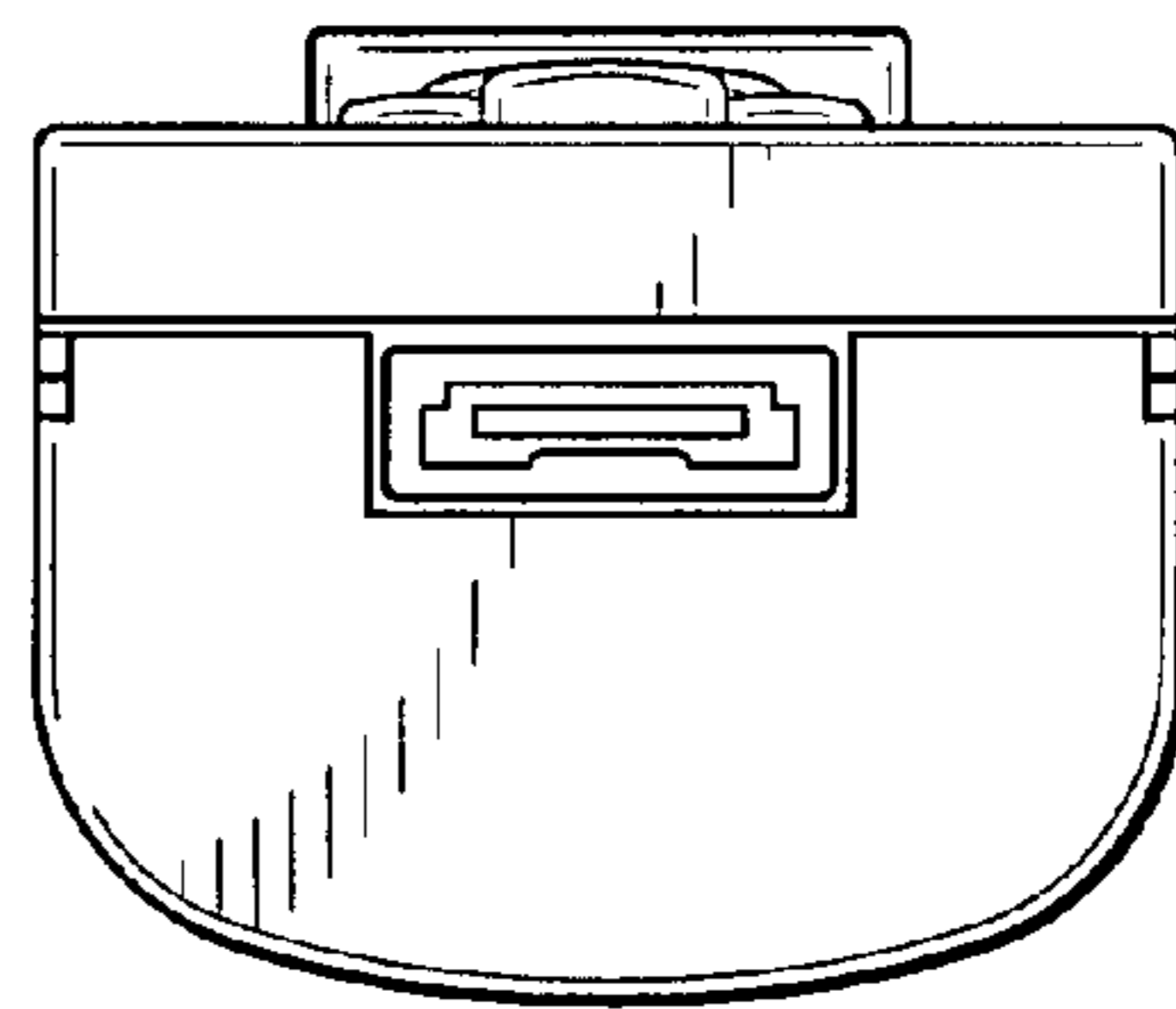


FIG. 5