



US00D575281S

(12) **United States Design Patent**  
**Rak**

(10) **Patent No.:** **US D575,281 S**

(45) **Date of Patent:** **\*\* Aug. 19, 2008**

(54) **ERGONOMIC CURSOR NAVIGATION CONTROLLER**

D527,001 S 8/2006 Pletikosa et al.  
7,102,620 B2 \* 9/2006 Harries et al. .... 345/169  
D542,257 S \* 5/2007 Ahn et al. .... D14/138

(75) Inventor: **Roman P. Rak**, Waterloo (CA)

(Continued)

(73) Assignee: **Research In Motion Limited**, Waterloo, Ontario

**FOREIGN PATENT DOCUMENTS**

(\*\*) Term: **14 Years**

EP 1394666 A 3/2004  
GB 2409342 A 6/2005  
WO 02/35513 A1 5/2002  
WO DM/067686 3/2006

(21) Appl. No.: **29/281,855**

(22) Filed: **Jul. 3, 2007**

**OTHER PUBLICATIONS**

**Related U.S. Application Data**

i-mate SP5, announced Aug. 2005, <URL:http://www.gsmarena.com/i\_mate\_sp5-pictures-1267.php>, retrieved from internet Jun. 18, 2008.\*

(62) Division of application No. 29/247,911, filed on Jul. 19, 2006, now Pat. No. Des. 550,186.

(Continued)

(51) **LOC (8) Cl.** ..... **14-03**

(52) **U.S. Cl.** ..... **D14/248; D14/247**

(58) **Field of Classification Search** ..... D14/137-138, D14/143-144, 147-148, 156, 192, 217-218, D14/247-248, 341-347, 455, 496, 390, 399, D14/456; D16/208; D21/329, 331, 333, D21/517; 348/14.01-14.02; 361/814; 379/433.01-433.13; 455/90.3, 556.1-556.2, 566, 575.1, 575.3, 455/575.4; D13/164, 168; 439/165; 343/702  
See application file for complete search history.

*Primary Examiner*—Ian Simmons  
*Assistant Examiner*—Carla Wright  
(74) *Attorney, Agent, or Firm*—Novak Druce + Quigg, LLP

(57) **CLAIM**

I claim the ornamental design for an ergonomic cursor navigation controller, as shown and described.

**DESCRIPTION**

(56) **References Cited**

**U.S. PATENT DOCUMENTS**

D456,394 S \* 4/2002 Laverick et al. .... D14/248  
D459,327 S \* 6/2002 Ali ..... D14/138  
D472,895 S \* 4/2003 Ribeiro et al. .... D14/248  
D473,550 S \* 4/2003 Ribeiro et al. .... D14/247  
D477,596 S \* 7/2003 Hayes ..... D14/343  
D492,276 S 6/2004 Walliser et al.  
D496,921 S 10/2004 Hwang  
D502,159 S 2/2005 Chan et al.  
D504,886 S \* 5/2005 Yasutomi ..... D14/218  
D514,541 S 2/2006 Tyneski et al.  
D522,484 S 6/2006 Griffin  
D522,486 S 6/2006 Corley et al.  
D524,279 S \* 7/2006 Lai ..... D14/138

FIG. 1 is a front perspective view of an ergonomic cursor navigation controller for a handheld mobile communications device;

FIG. 2 is a front elevational view thereof;

FIG. 3 is a top plan view thereof;

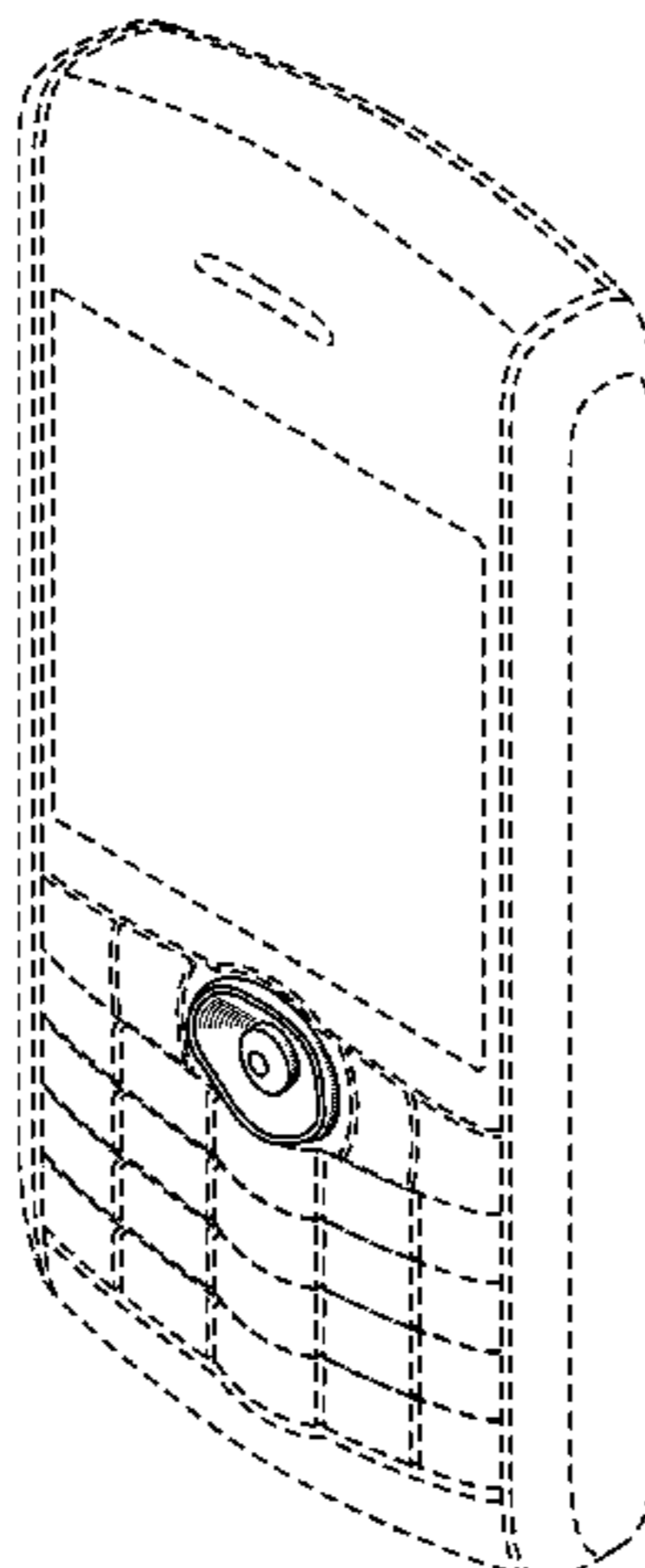
FIG. 4 is a bottom plan view thereof;

FIG. 5 is a left elevational view thereof; and,

FIG. 6 is a right elevational view thereof.

The broken line showing of environmental structures is for illustrative purposes only and forms no part of the claimed design.

**1 Claim, 4 Drawing Sheets**



U.S. PATENT DOCUMENTS

D543,190 S 5/2007 Huang et al.  
D543,523 S 5/2007 Lee et al.  
D543,531 S \* 5/2007 Lee ..... D14/138  
D543,810 S \* 7/2007 Kwak ..... D14/138  
D546,810 S \* 7/2007 Kwak ..... D14/138  
D556,207 S \* 11/2007 Griffin ..... D14/455  
D556,749 S \* 12/2007 Rak et al. .... D14/346  
D571,361 S \* 6/2008 Moriyama ..... D14/247  
2004/0165924 A1 8/2004 Griffin  
2004/0203524 A1 10/2004 Wong et al.  
2005/0272484 A1 12/2005 Griffin

OTHER PUBLICATIONS

HTC P3300, announced Sep. 2006, <URL:[http://www.gsmarena.com/htc\\_p3300-pictures-1693.php](http://www.gsmarena.com/htc_p3300-pictures-1693.php)>, retrieved from internet Jun. 18, 2008.\*

Philips Xenium 9@9g, announced Jan. 2007, <URL:[http://www.gsmarena.com/philips\\_xenium\\_9@9g-pictures-1835.php](http://www.gsmarena.com/philips_xenium_9@9g-pictures-1835.php)>, retrieved from internet Jun. 18, 2008.\*

“Black Berry 7100t”, 2 pp including photos, <URL:[http://www.gsmarena.com/blackberry\\_7100t-1011.php](http://www.gsmarena.com/blackberry_7100t-1011.php)>, announced 4Q 2004, retrieved Jun. 11, 2007.

“Black Berry Pearl 8100”, 2pp including photos, <URL:[http://www.gsmarena.com/blackberry\\_pearl\\_8100-1701.php](http://www.gsmarena.com/blackberry_pearl_8100-1701.php)>, announced Sep. 2006.

“Black Berry Curve 8300”, 2 pp including photos, <URL:[http://www.gsmarena.com/blackberry\\_curve\\_8300-1979.php](http://www.gsmarena.com/blackberry_curve_8300-1979.php)>, announced May. 2007, retrieved Jun. 11, 2007.

\* cited by examiner

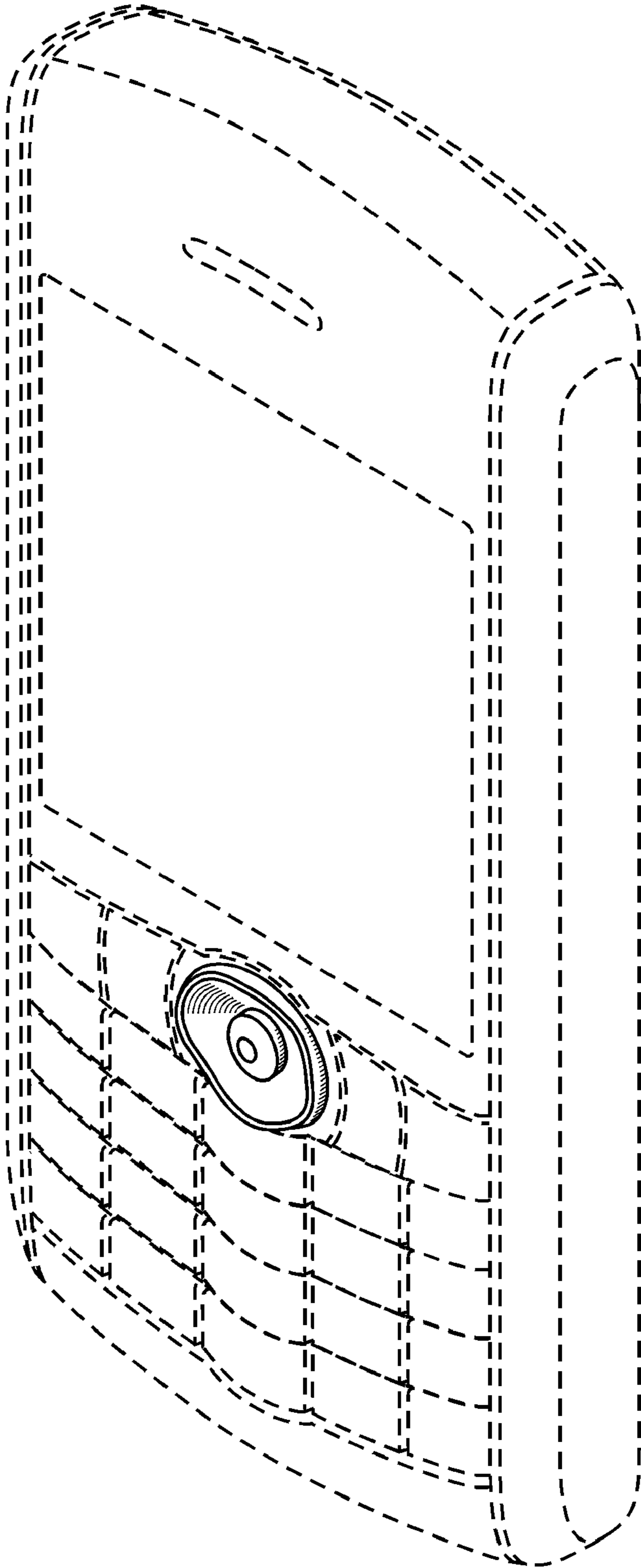


FIG. 1

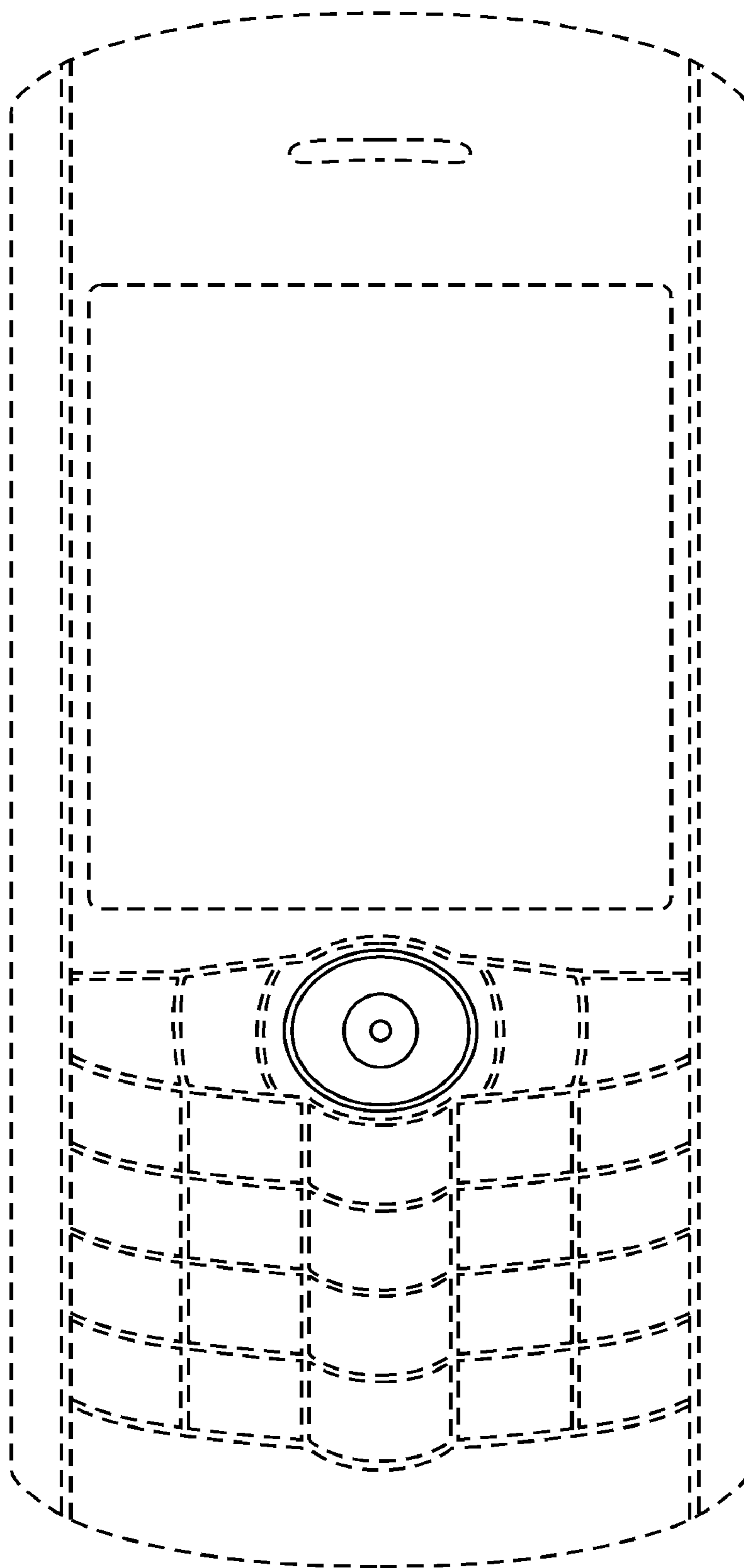


FIG. 2



**FIG. 3**



**FIG. 4**

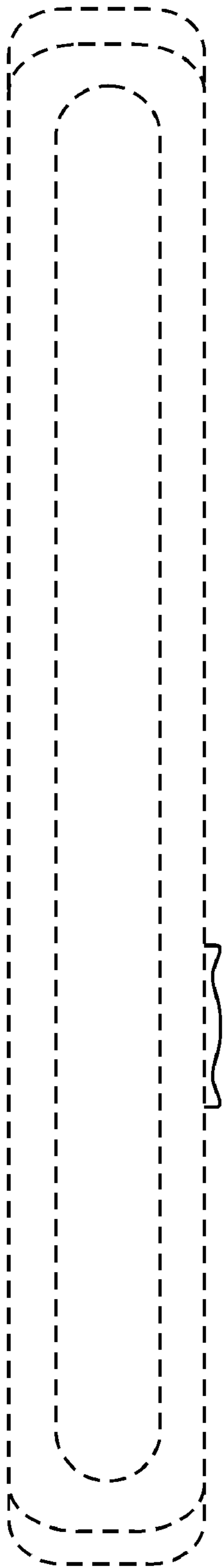


FIG. 5

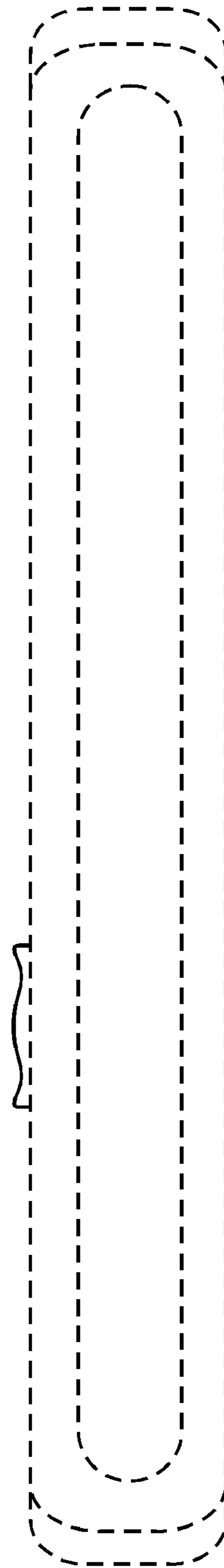


FIG. 6