



US00D575280S

(12) **United States Design Patent**
Marquez

(10) **Patent No.:** **US D575,280 S**

(45) **Date of Patent:** **** Aug. 19, 2008**

(54) **WIRELESS ACCESS POINT FOR INTERCOMMUNICATION VOICE SYSTEM**

(75) Inventor: **Lacides Marquez**, Re Nuenen (NL)

(73) Assignee: **Robert Bosch GmbH**, Stuttgart (DE)

(**) Term: **14 Years**

(21) Appl. No.: **29/256,981**

(22) Filed: **Mar. 28, 2006**

(30) **Foreign Application Priority Data**

Oct. 28, 2005 (EP) 000422654

(51) **LOC (8) Cl.** **14-03**

(52) **U.S. Cl.** **D14/240**

(58) **Field of Classification Search** D14/240,
D14/242-256, 300, 357; D13/184, 168;
455/151.6-151.1, 152, 352-355, 550.1; 379/433.02,
379/433.13, 413.04; 220/4.01-4.02
See application file for complete search history.

(56) **References Cited**

U.S. PATENT DOCUMENTS

D220,105 S *	3/1971	Small	D14/300
D380,199 S *	6/1997	Beruscha et al.	D14/242
D427,193 S *	6/2000	Fedele	D14/348
D463,411 S *	9/2002	Stokes et al.	D14/240
D464,031 S *	10/2002	Gillingham	D13/184
D516,561 S *	3/2006	Tagliabue et al.	D14/433
D518,451 S *	4/2006	Nussberger et al.	D13/184
D520,991 S *	5/2006	Ma et al.	D14/240

D535,650 S *	1/2007	Wong et al.	D14/240
D538,795 S *	3/2007	Wong et al.	D14/240
D543,513 S *	5/2007	Allen et al.	D13/184
D554,630 S *	11/2007	Ma et al.	D14/240
D554,631 S *	11/2007	Ma et al.	D14/240

* cited by examiner

Primary Examiner—Charles A Rademaker

(74) *Attorney, Agent, or Firm*—Michael J. Striker

(57) **CLAIM**

The ornamental design for a wireless access point for intercommunication voice system, as shown and described.

DESCRIPTION

FIG. 1 is a front prospective view of a wireless access point for intercommunication voice system showing my new design;

FIG. 2 is a side view thereof;

FIG. 3 is a top view thereof;

FIG. 4 is a front view thereof;

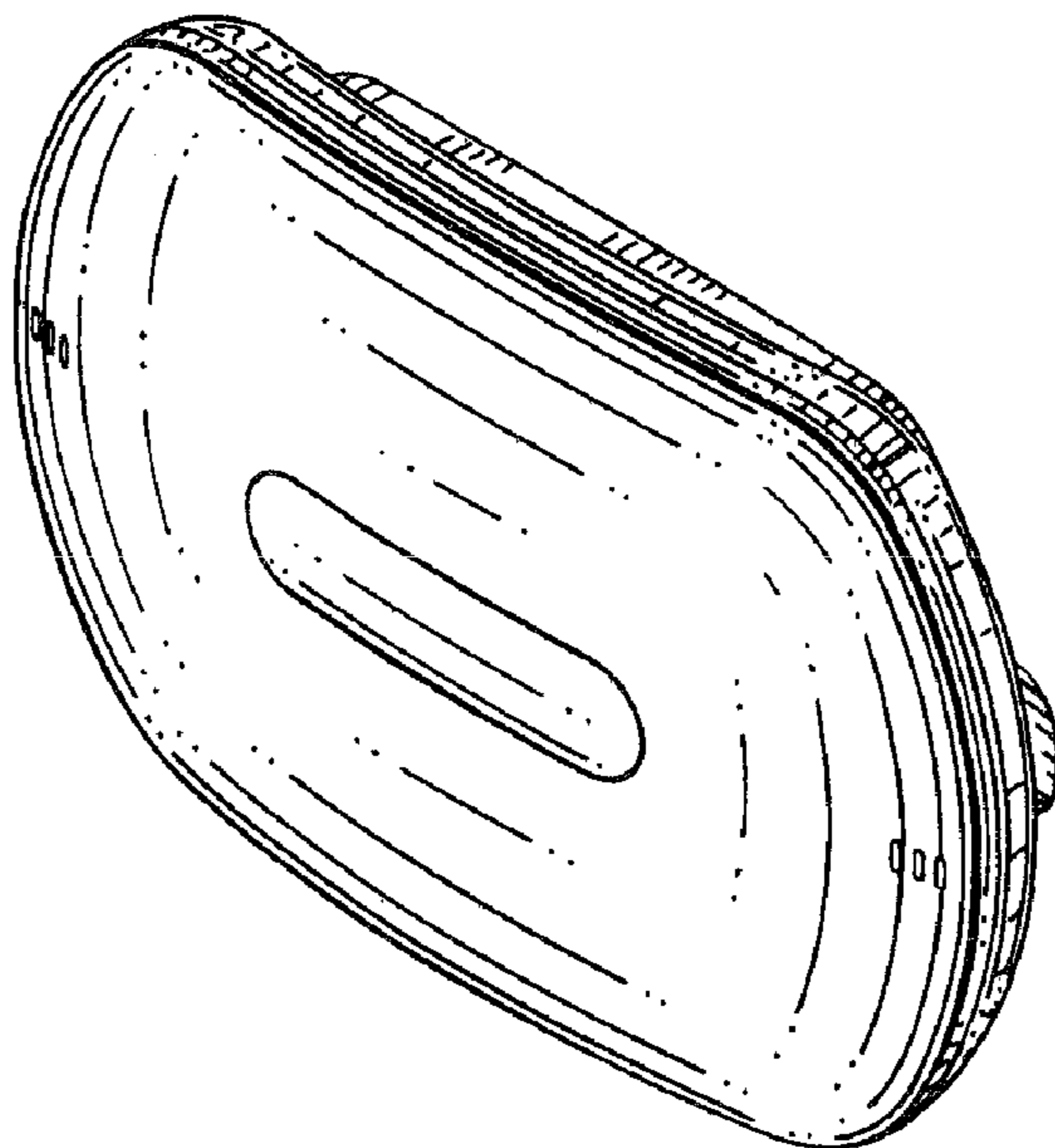
FIG. 5 is a side elevation of the side opposite that shown in FIG. 2;

FIG. 6 is a bottom plan view; and,

FIG. 7 is a side elevation of the side opposite that shown in FIG. 7.

The broken lines shown in the drawings represent environmental structure and form no part of the claimed ornamental design claimed.

1 Claim, 3 Drawing Sheets



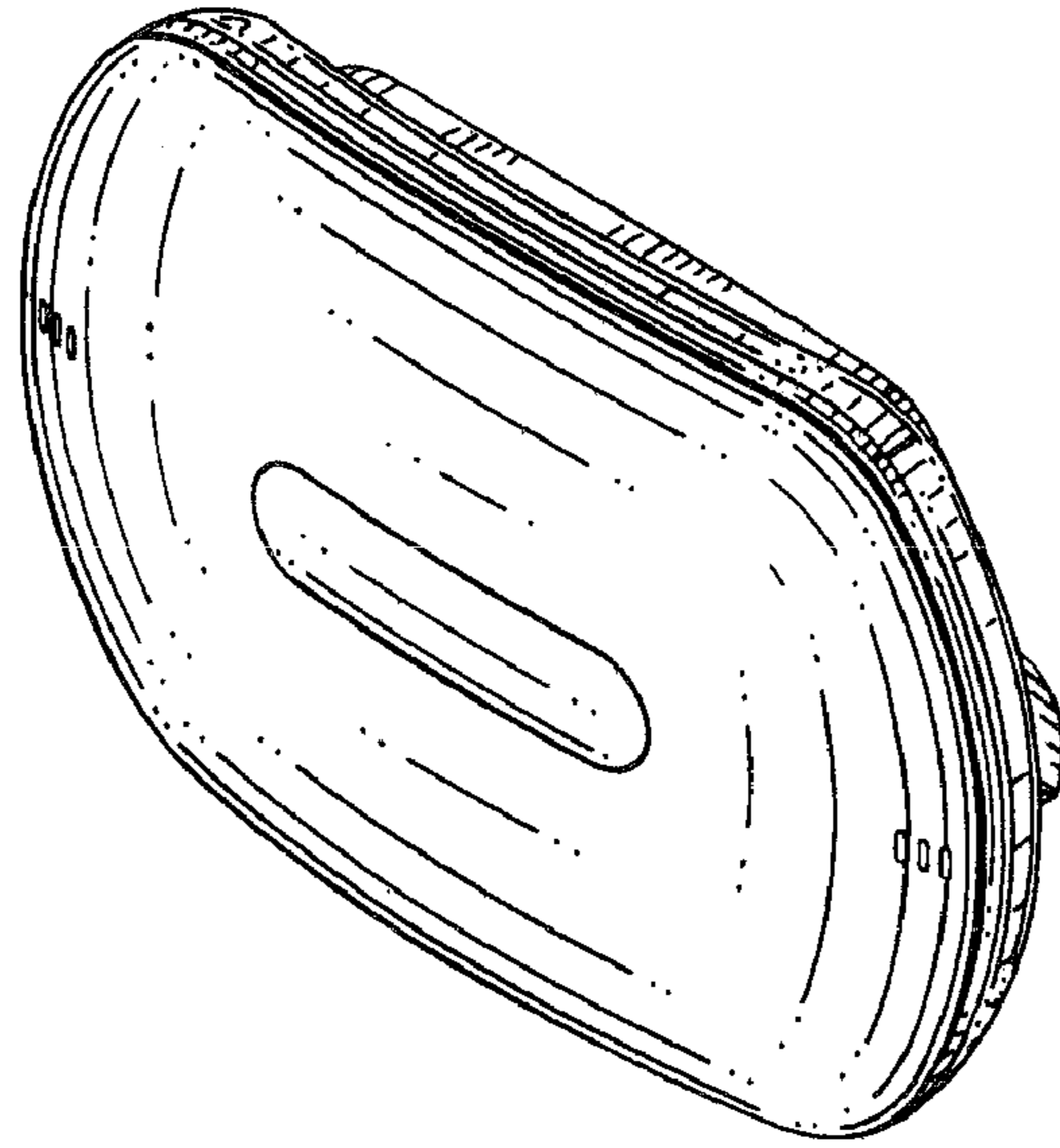


FIG. 1

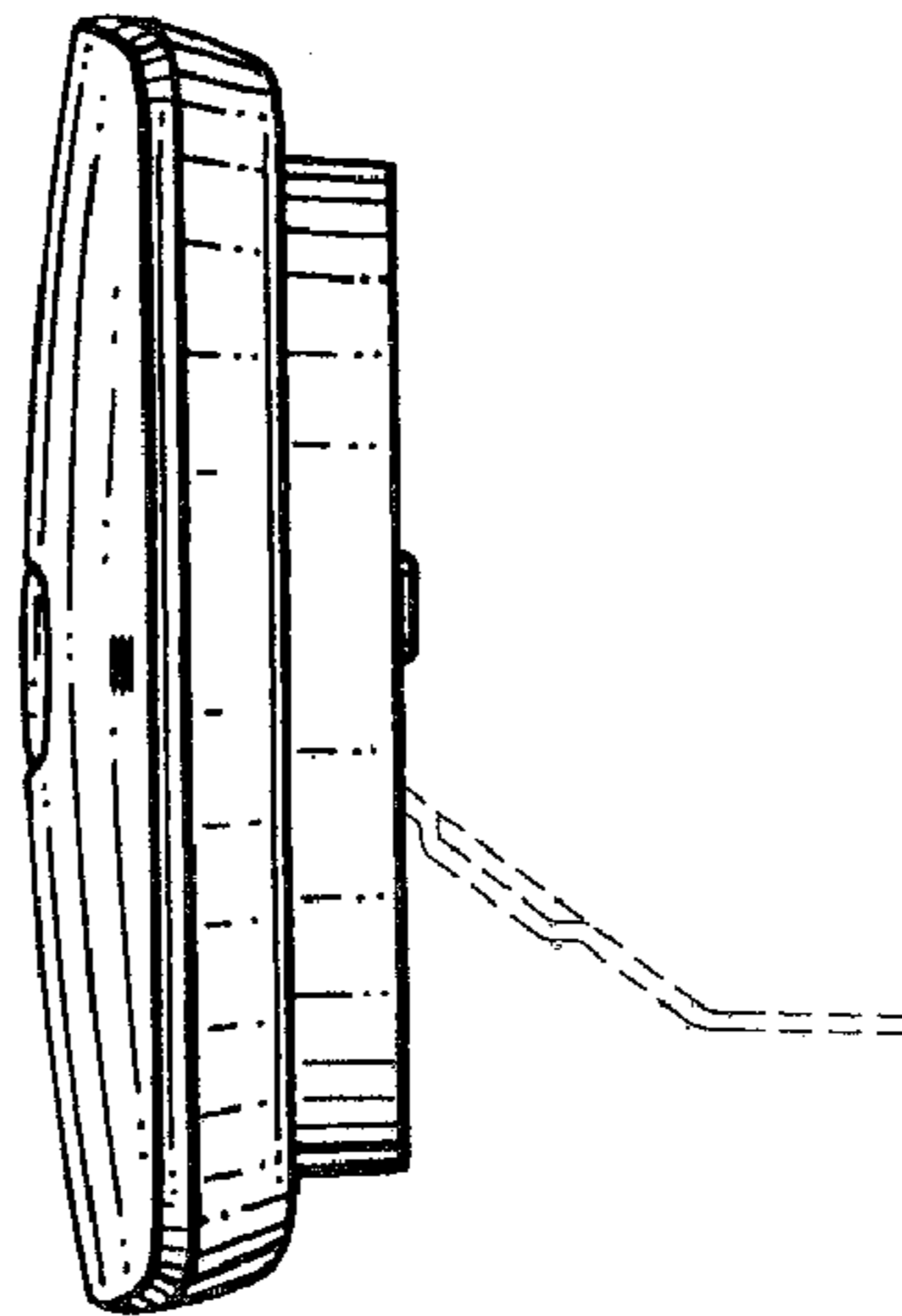


FIG. 2

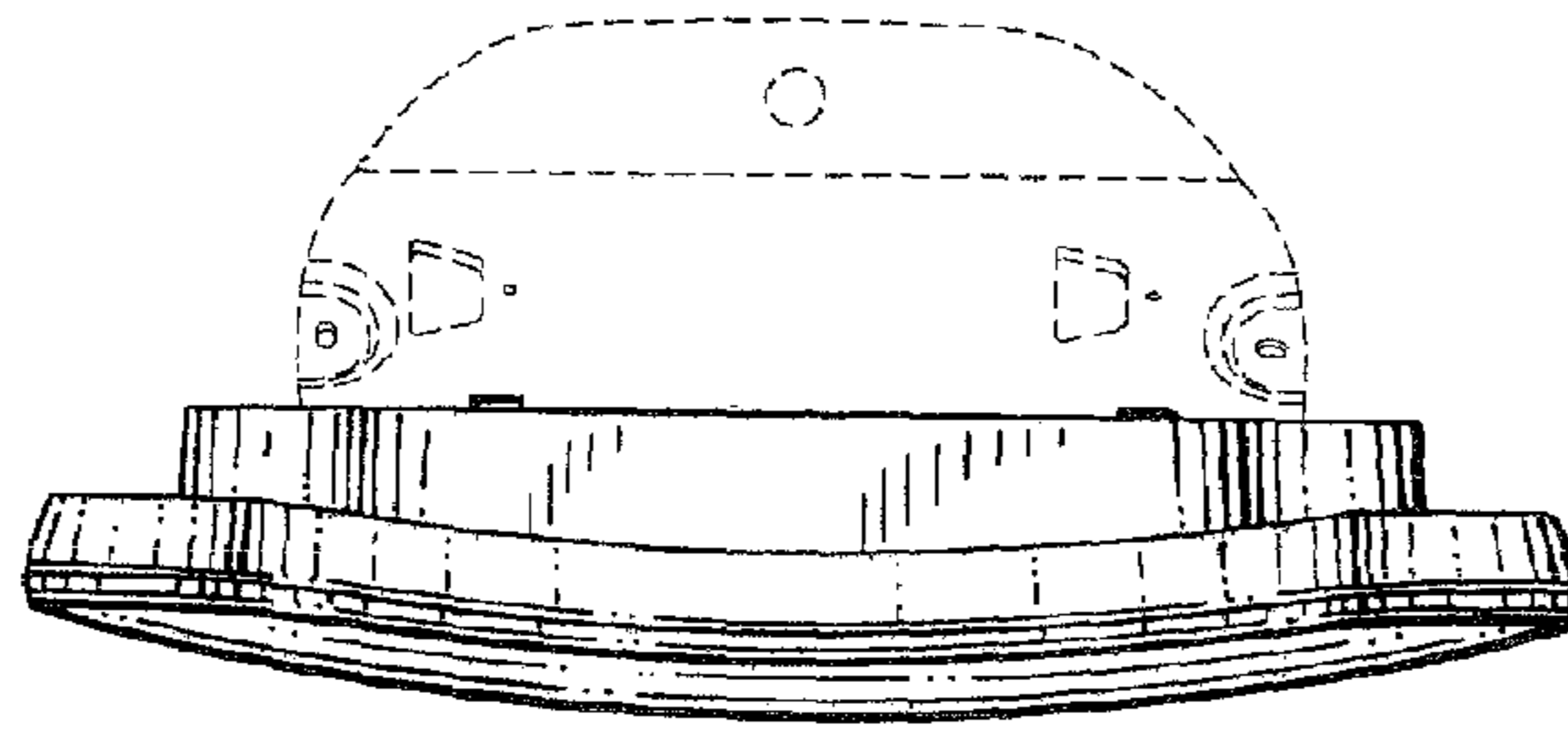


FIG. 3

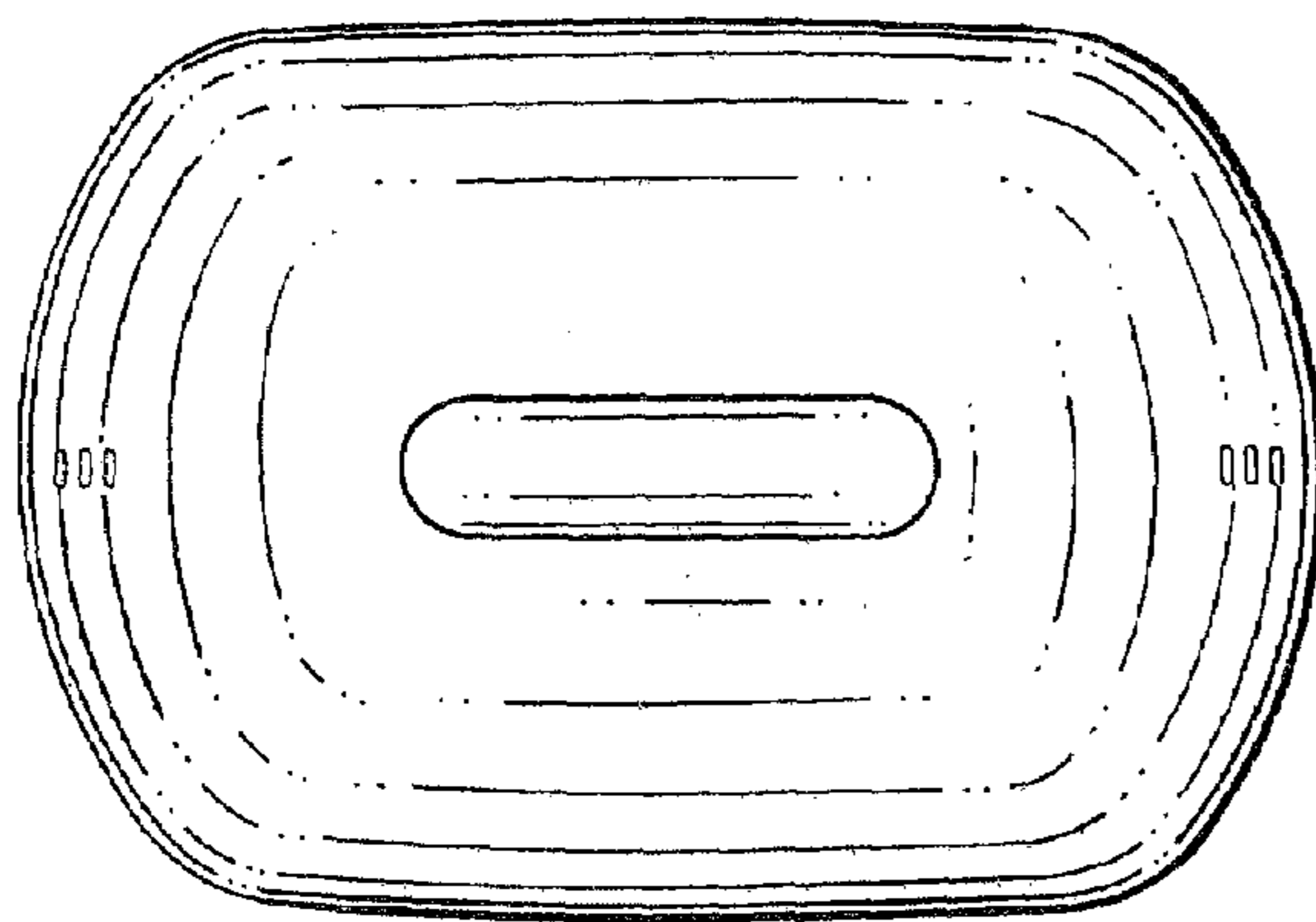


FIG. 4

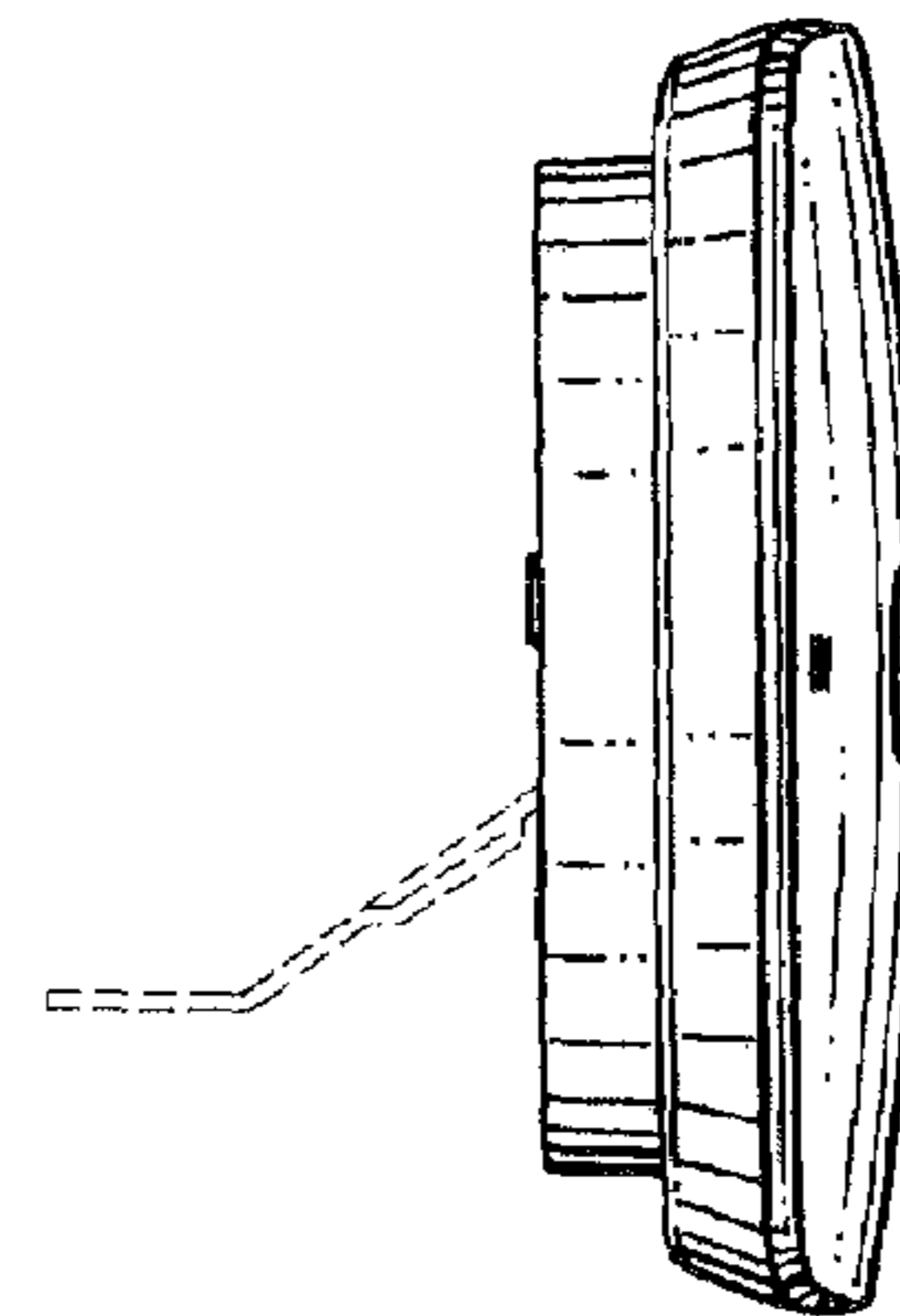


FIG. 5

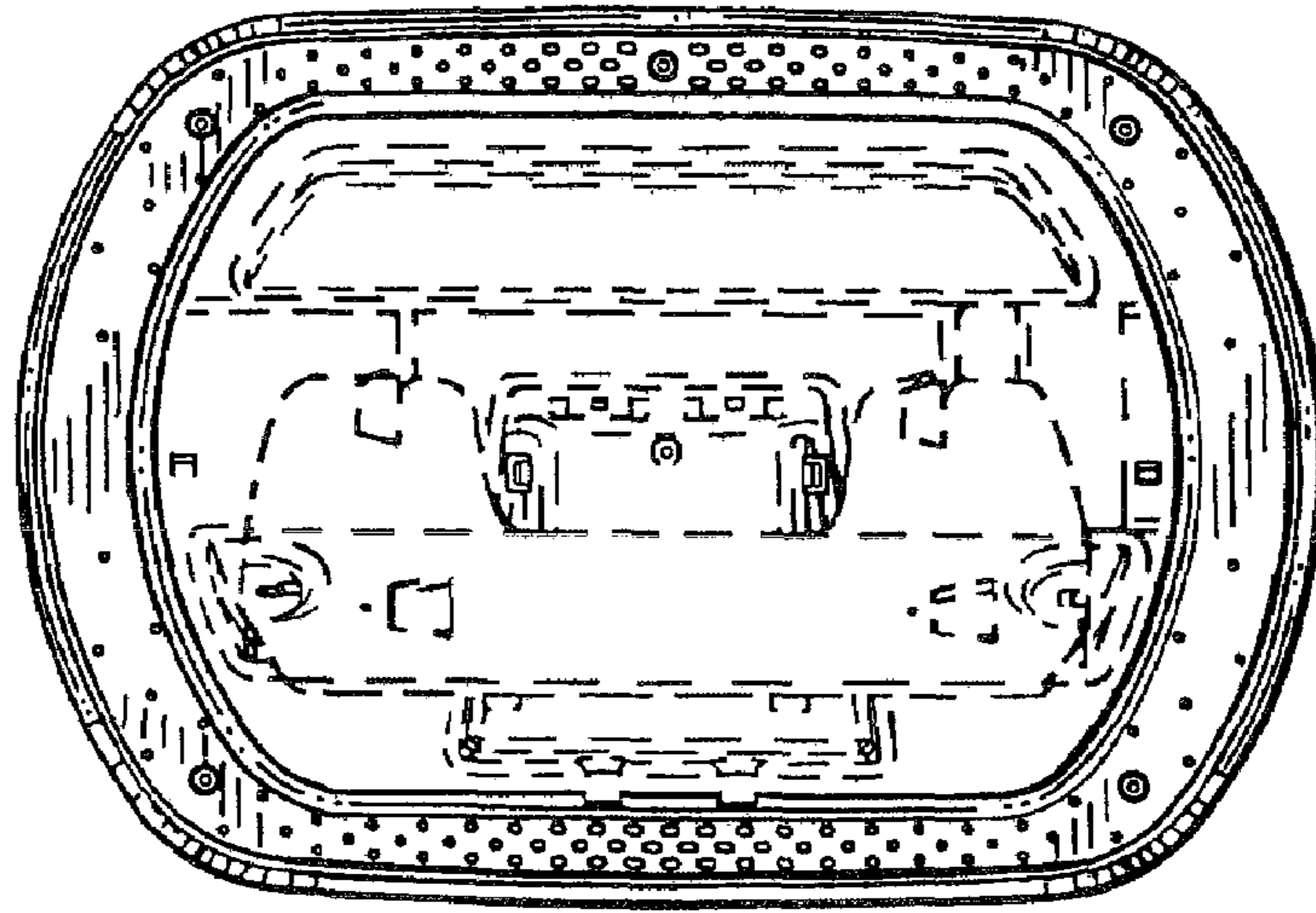


FIG. 6

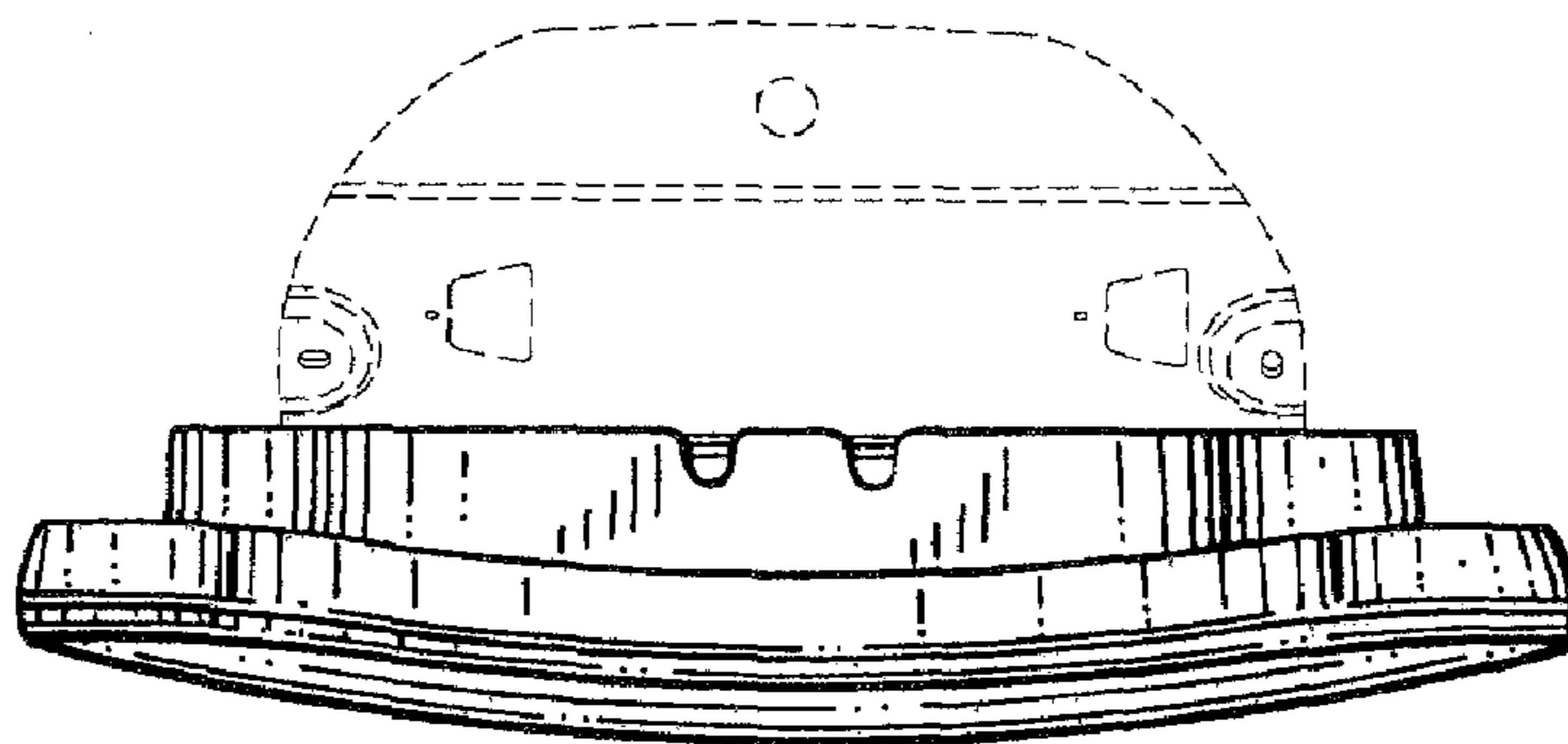


FIG. 7