



US00D575277S

(12) **United States Design Patent**
Gaarde et al.

(10) **Patent No.:** **US D575,277 S**
(45) **Date of Patent:** **** Aug. 19, 2008**

(54) **HEADSET**

(75) Inventors: **Jonas Gaarde**, Hojslev (DK); **Timothy Jacob Jensen**, Hojslev (DK)

(73) Assignee: **GN A/S** (DK)

(**) Term: **14 Years**

(21) Appl. No.: **29/283,525**

(22) Filed: **Aug. 16, 2007**

(30) **Foreign Application Priority Data**

Feb. 20, 2007 (EM) 000674569-0001

(51) **LOC (8) Cl.** **14-01**

(52) **U.S. Cl.** **D14/223; D14/205**

(58) **Field of Classification Search** D14/205,
D14/206, 223; 181/129-130; 379/430, 433.01,
379/433.02, 433.03; 381/380, 381, 370,
381/374-379; D24/174; 455/575.2

See application file for complete search history.

(56) **References Cited**

U.S. PATENT DOCUMENTS

D455,835 S * 4/2002 Anderson et al. D24/174
6,868,284 B2 * 3/2005 Bae 455/575.2

7,079,664 B2 * 7/2006 Nassimi 381/380
D529,021 S * 9/2006 Jensen et al. D14/223
D550,658 S * 9/2007 Wang D14/223
D553,613 S * 10/2007 Sade et al. D14/223
D565,033 S * 3/2008 Goransson D14/223
D566,693 S * 4/2008 Jensen et al. D14/223
D566,694 S * 4/2008 Kim et al. D14/223

* cited by examiner

Primary Examiner—Paula A Greene

(74) *Attorney, Agent, or Firm*—Altera Law Group, LLC

(57) **CLAIM**

The ornamental design for headset, as shown and described.

DESCRIPTION

FIG. 1 is a perspective view of a headset showing my new design;

FIG. 2 is a side view thereof;

FIG. 3 is a view from the back thereof;

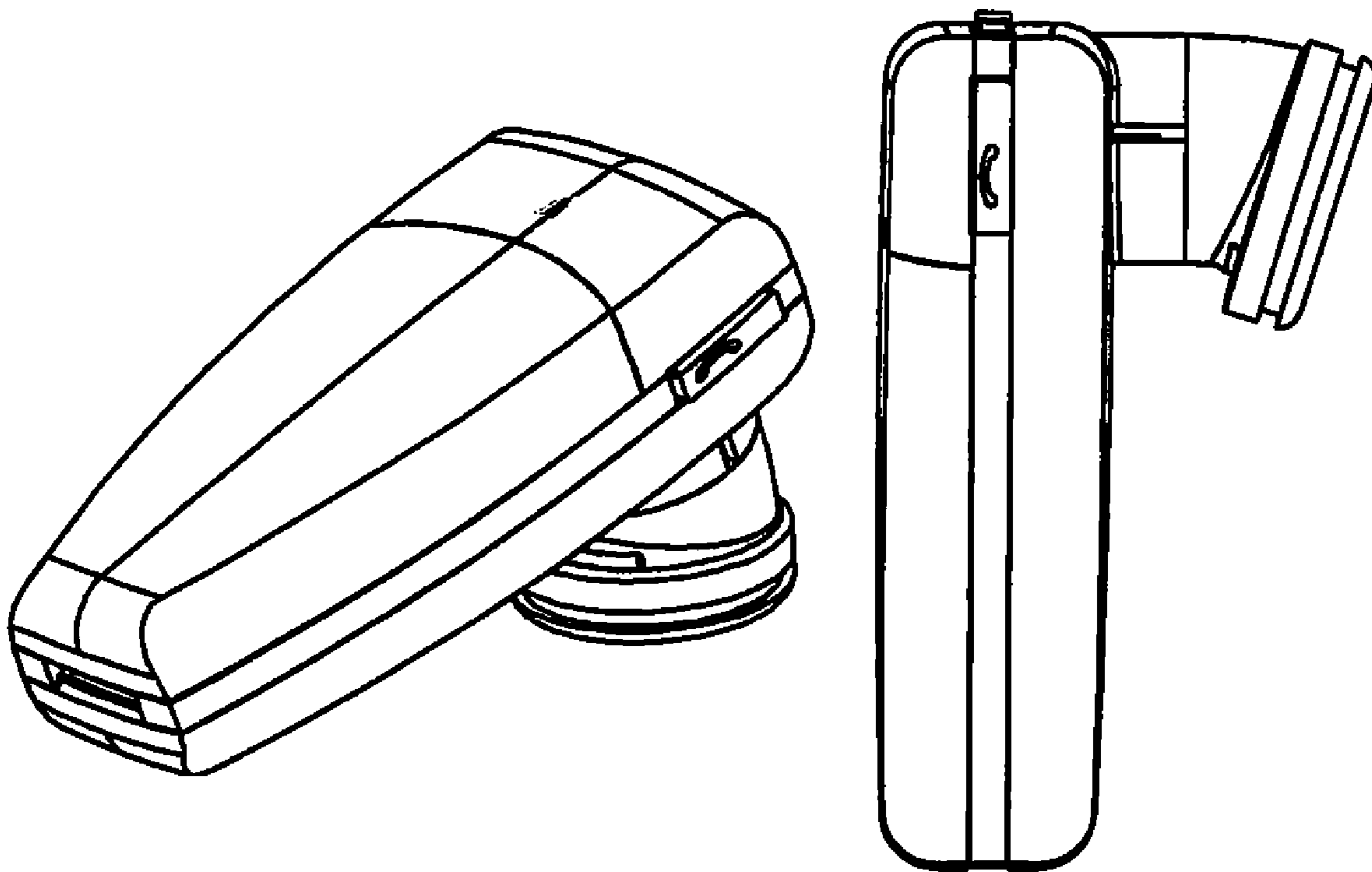
FIG. 4 is a top view thereof;

FIG. 5 is a bottom view thereof;

FIG. 6 is a an opposite side view thereof; and,

FIG. 7 is a front view thereof.

1 Claim, 3 Drawing Sheets



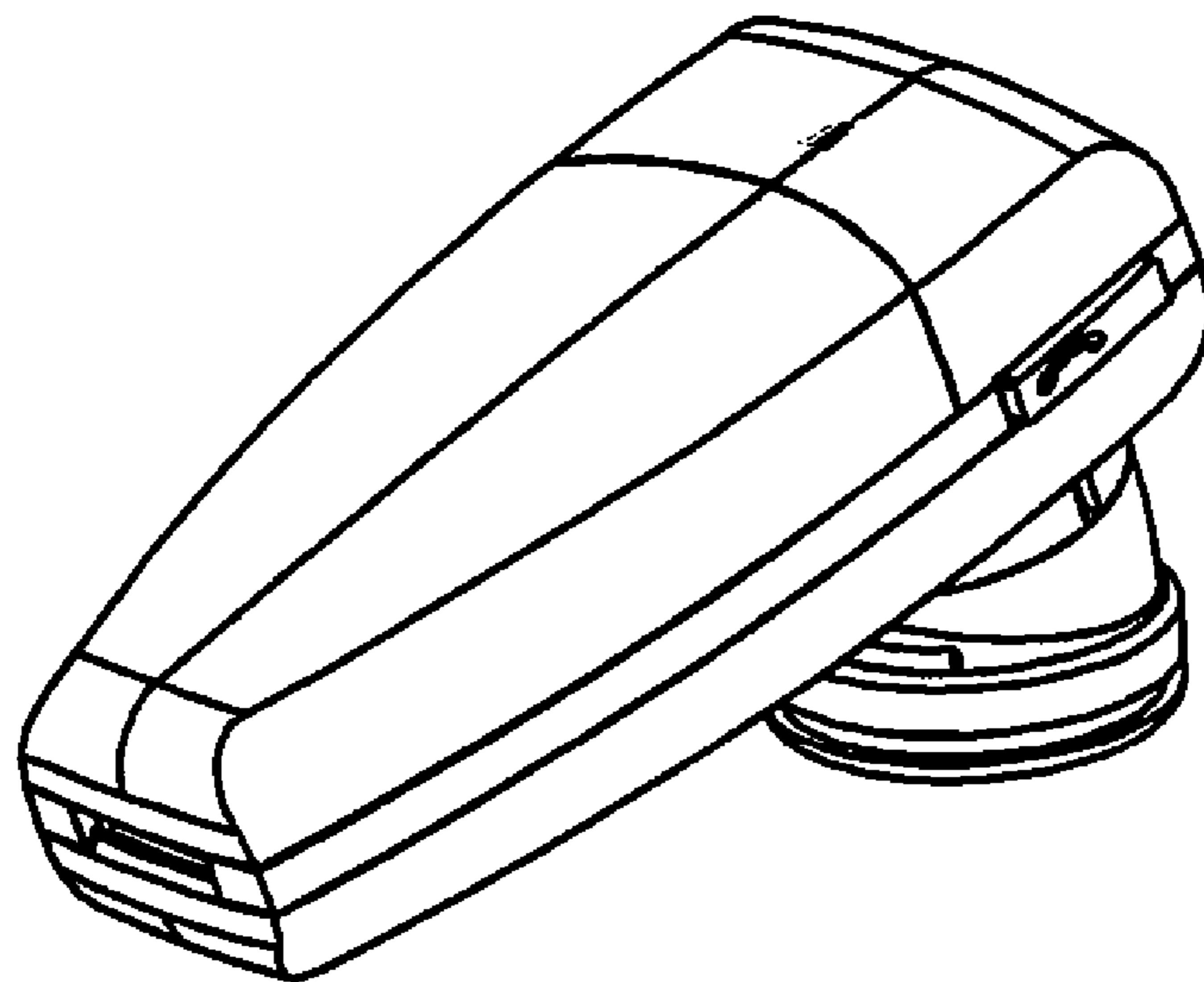


Fig. 1

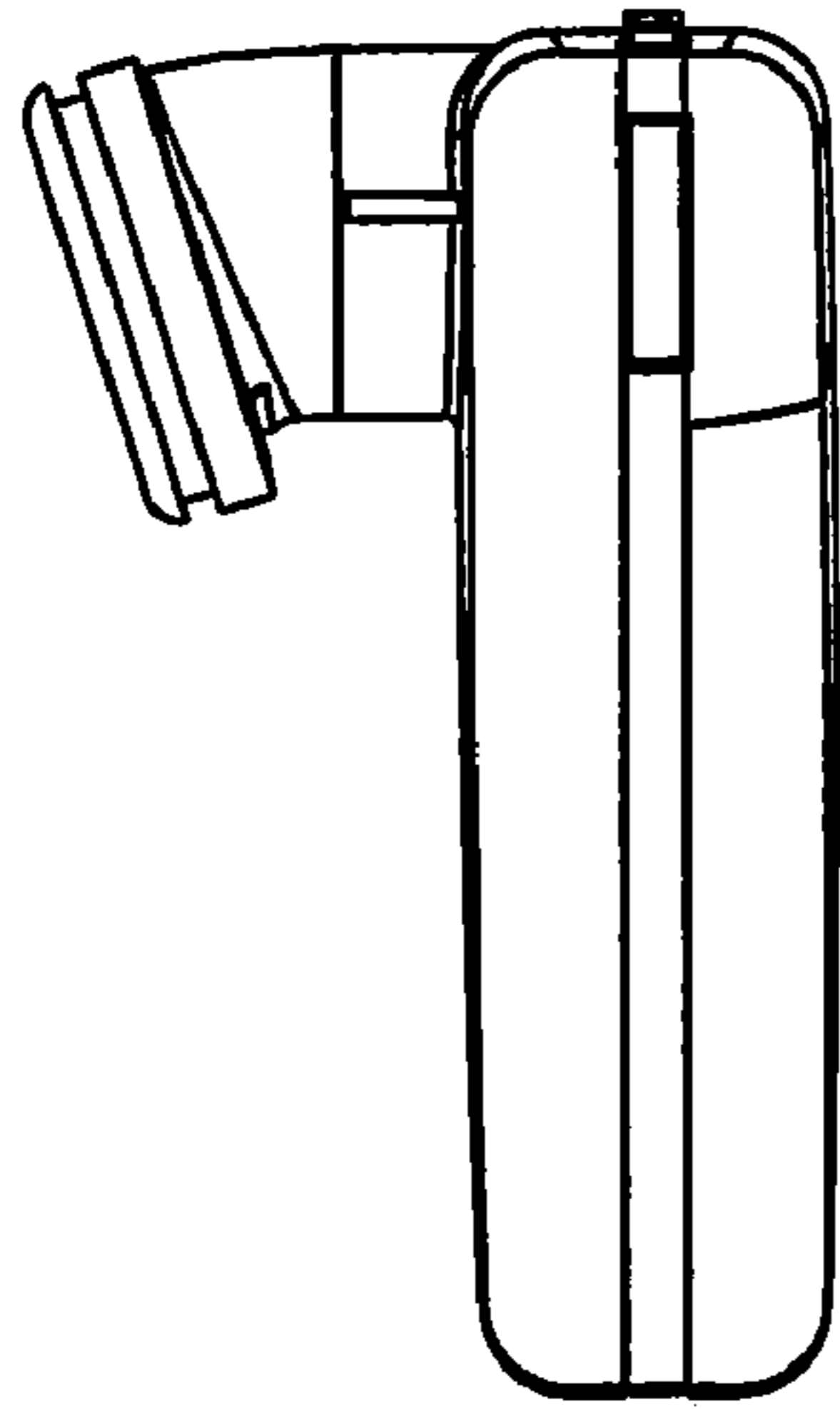


Fig. 2

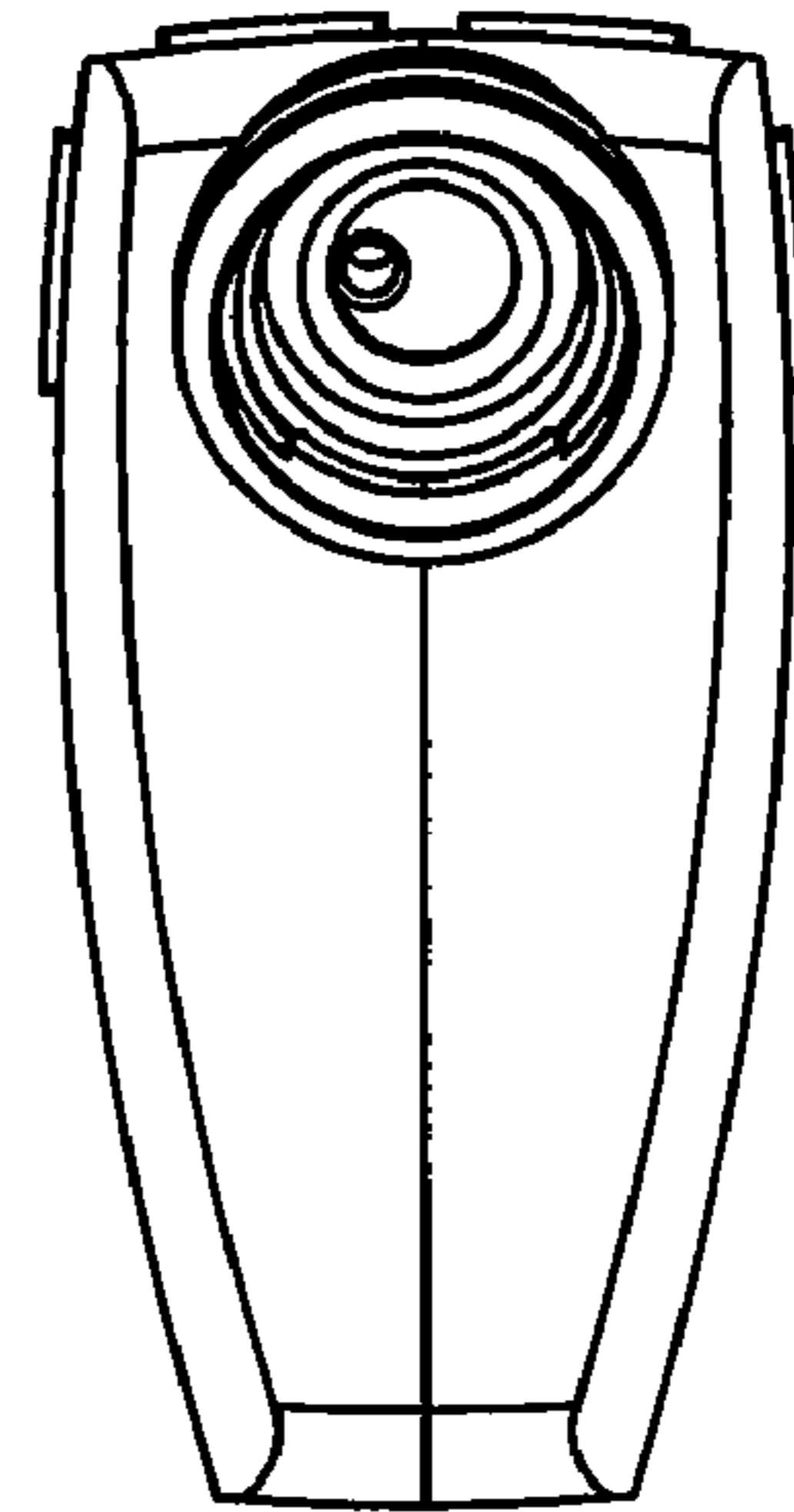


Fig. 3

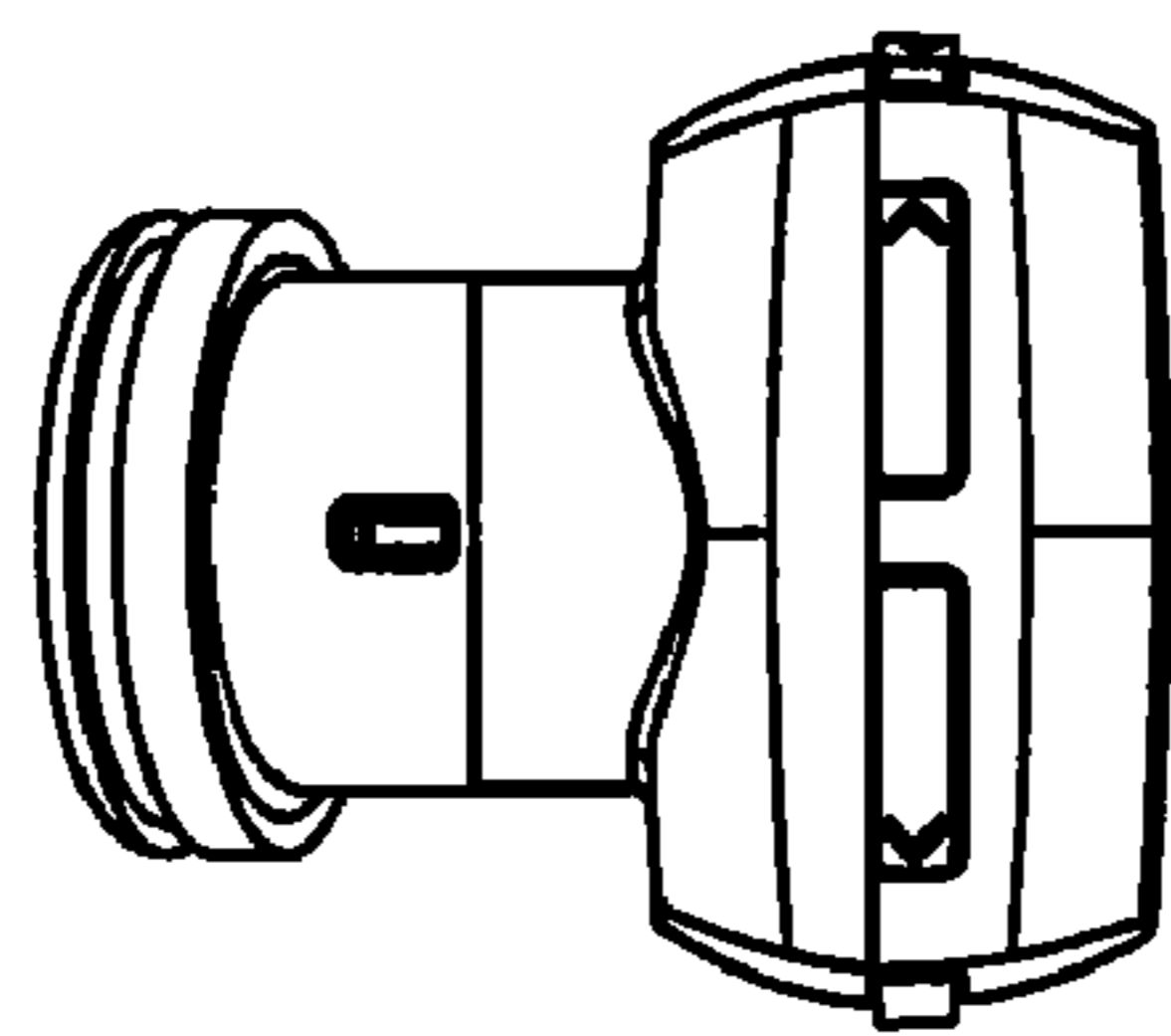


Fig. 4

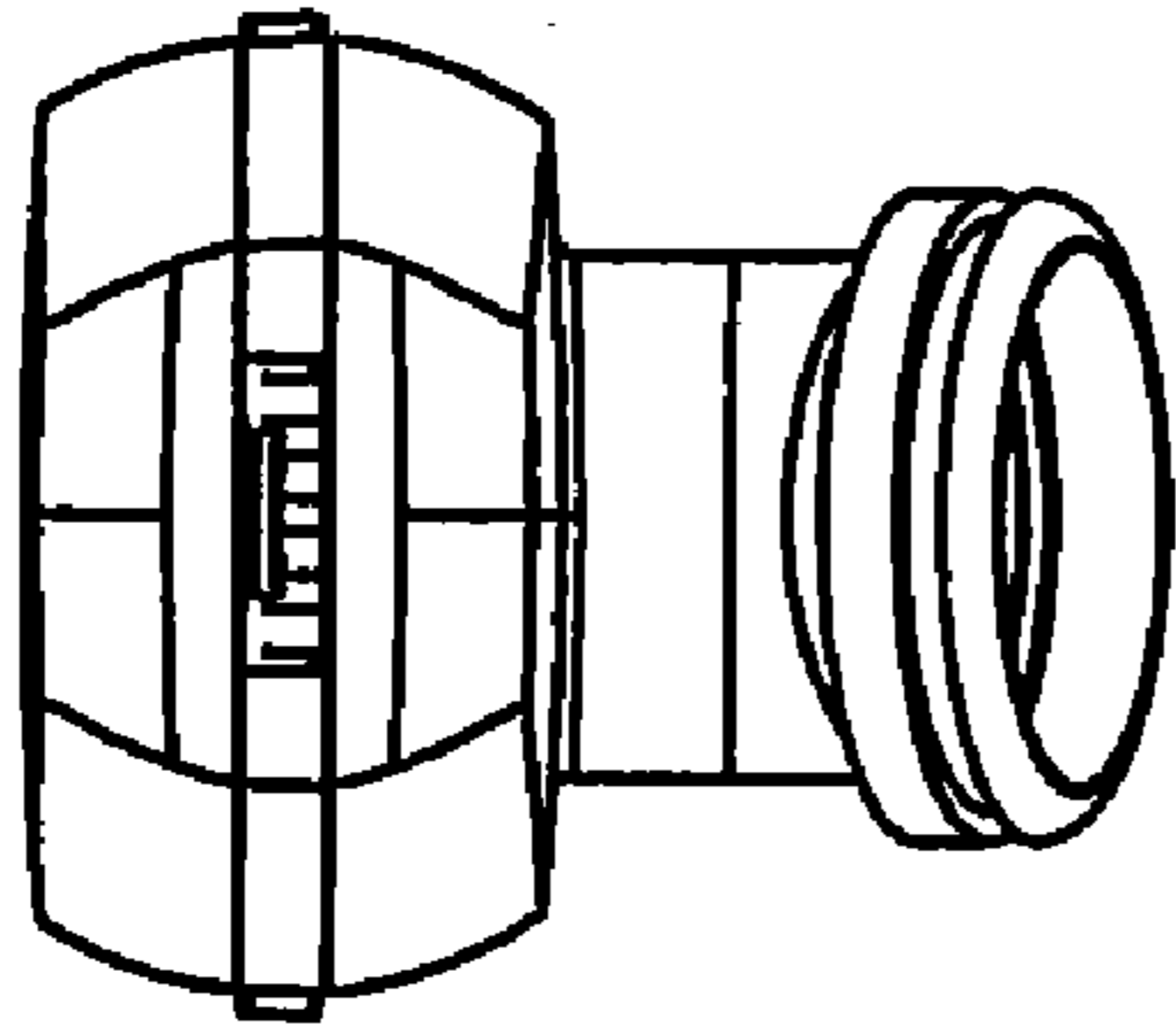


Fig. 5

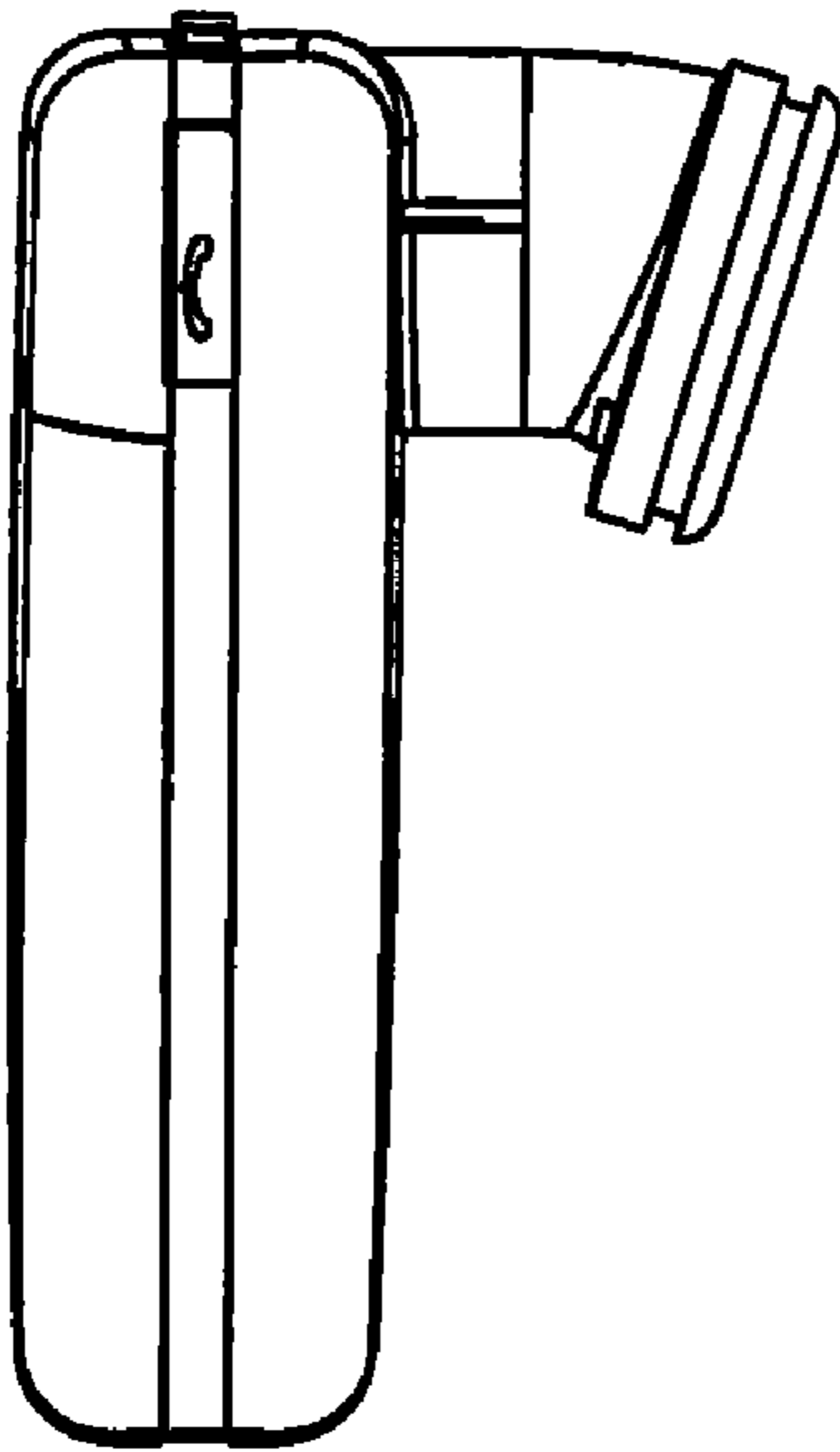


Fig. 6

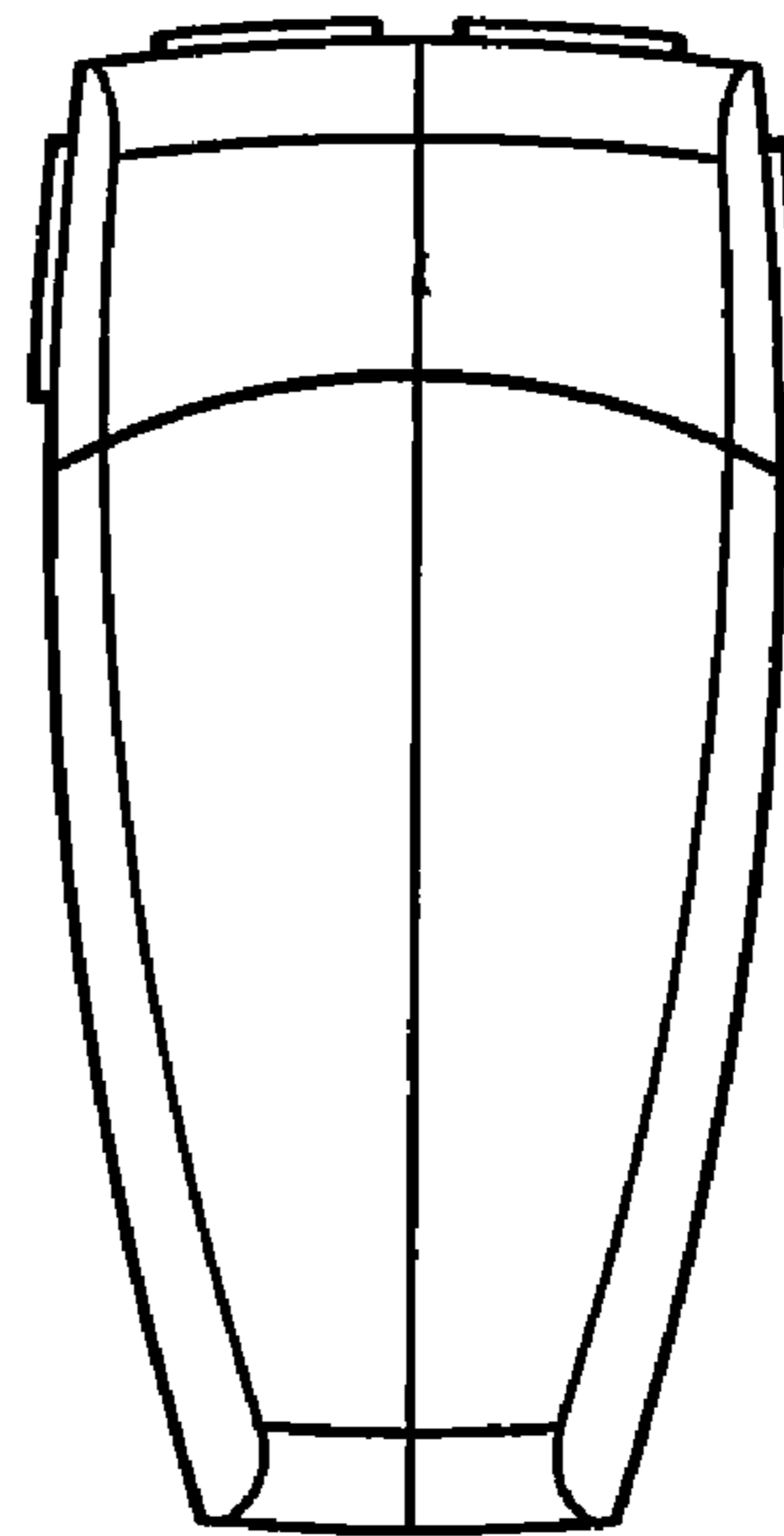


Fig. 7