



US00D575276S

(12) **United States Design Patent**
Bradford et al.

(10) **Patent No.:** **US D575,276 S**

(45) **Date of Patent:** **** Aug. 19, 2008**

(54) **HEADSET**

(75) Inventors: **Simon Bradford**, Middlesex (GB);
Mikael Jaakkola, Turku (FI); **Sami**
Lehtovaara, Masku (FI)

(73) Assignee: **Nokia Corporation** (FI)

(**) Term: **14 Years**

(21) Appl. No.: **29/281,893**

(22) Filed: **Jul. 5, 2007**

(30) **Foreign Application Priority Data**

Jan. 5, 2007 (FI) M20070004

(51) **LOC (8) Cl.** **14-01**

(52) **U.S. Cl.** **D14/223**

(58) **Field of Classification Search** D14/205,
D14/206, 223, 188, 192; 181/129-130; 381/380,
381/381, 374-379; 379/430, 433.01, 433.02,
379/433.03; 455/344, 347, 350-351, 575.6,
455/575.1

See application file for complete search history.

(56) **References Cited**

U.S. PATENT DOCUMENTS

5,655,026 A * 8/1997 Peters et al. 381/385
D506,461 S * 6/2005 Han et al. D14/205

D536,694 S * 2/2007 Eroma et al. D14/223

D543,539 S * 5/2007 Sade et al. D14/223

D552,602 S * 10/2007 Sade et al. D14/223

D553,613 S * 10/2007 Sade et al. D14/223

D561,179 S * 2/2008 Sade et al. D14/223

* cited by examiner

Primary Examiner—Paula A Greene

(74) *Attorney, Agent, or Firm*—Banner & Witcoff, Ltd.

(57) **CLAIM**

The ornamental design for a headset, as shown and described.

DESCRIPTION

FIG. 1 is a front view of a headset showing our new design;

FIG. 2 is a perspective front view thereof;

FIG. 3 is a rear view thereof;

FIG. 4 is a perspective rear view thereof;

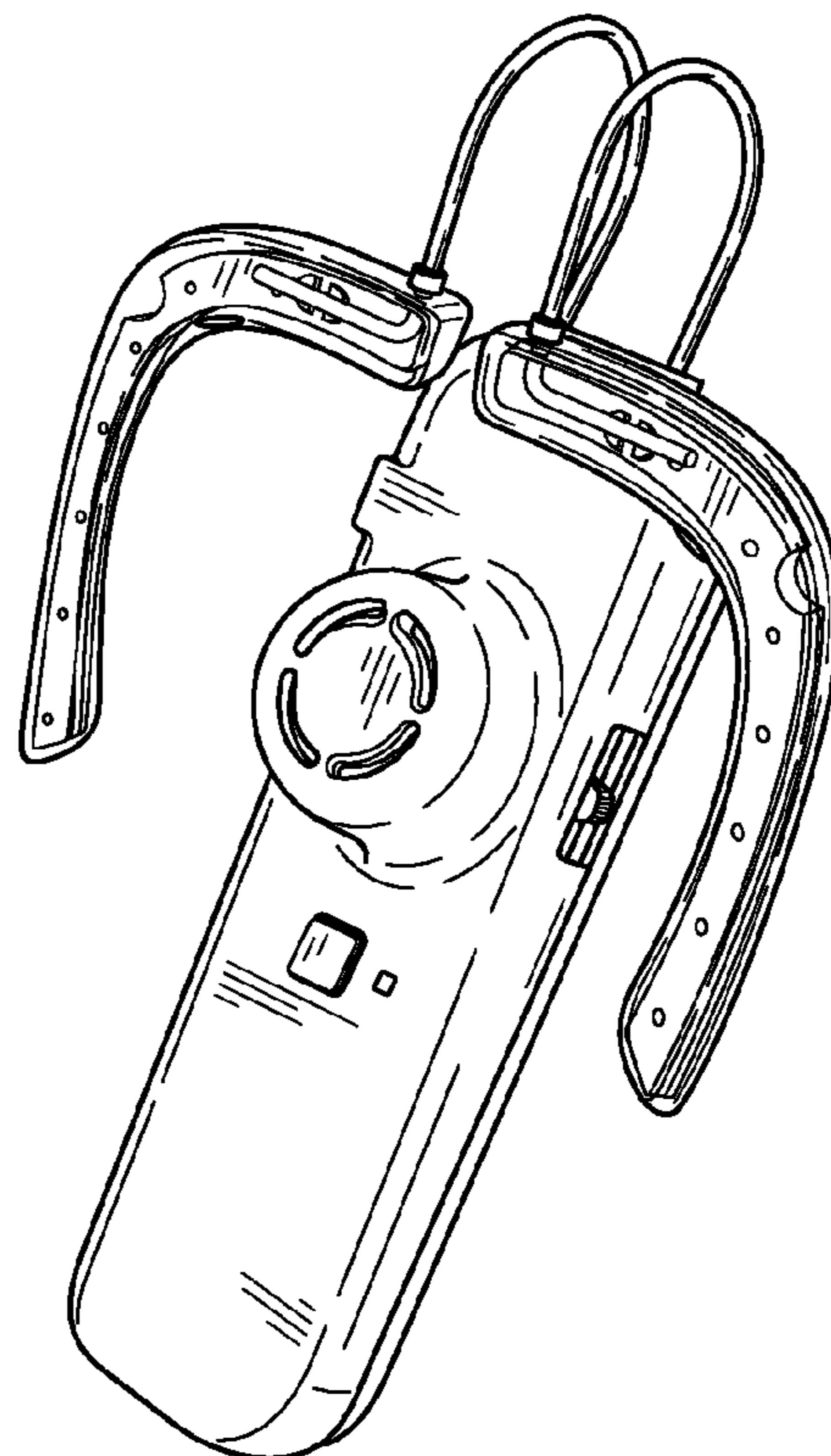
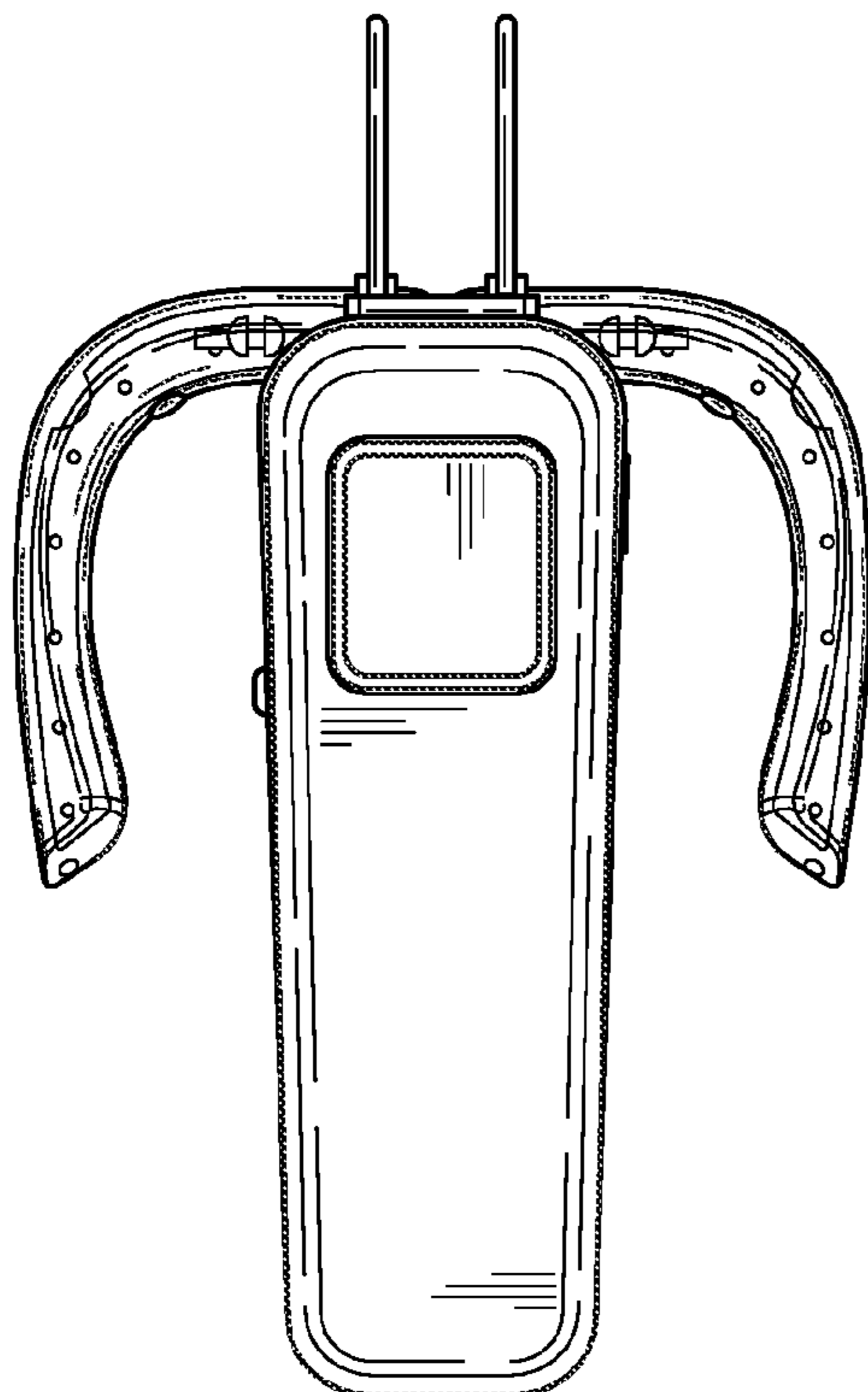
FIG. 5 is a right side view thereof;

FIG. 6 is a left side view thereof;

FIG. 7 is a top plan view thereof; and,

FIG. 8 is a bottom plan view thereof.

1 Claim, 4 Drawing Sheets



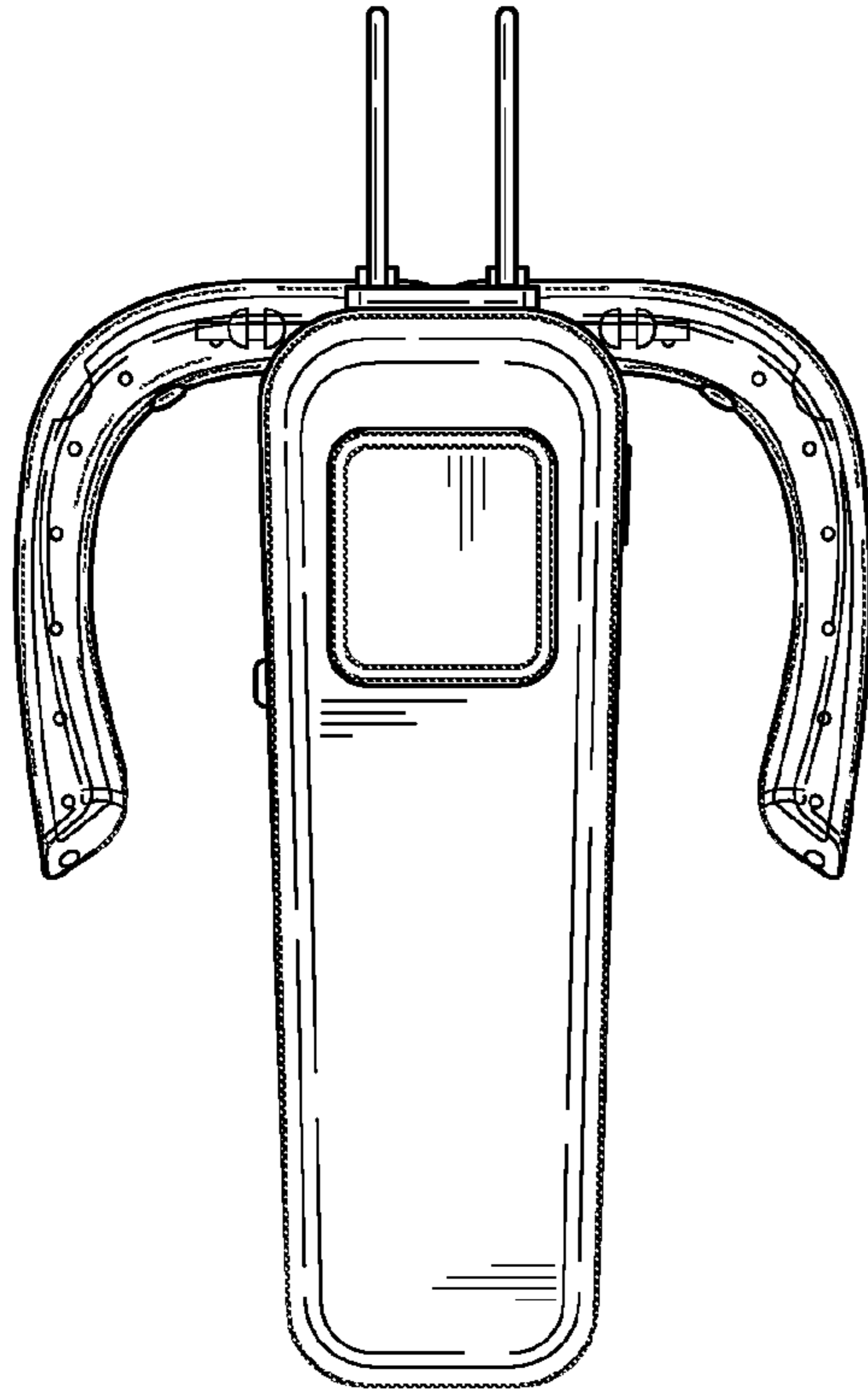


FIG. 1

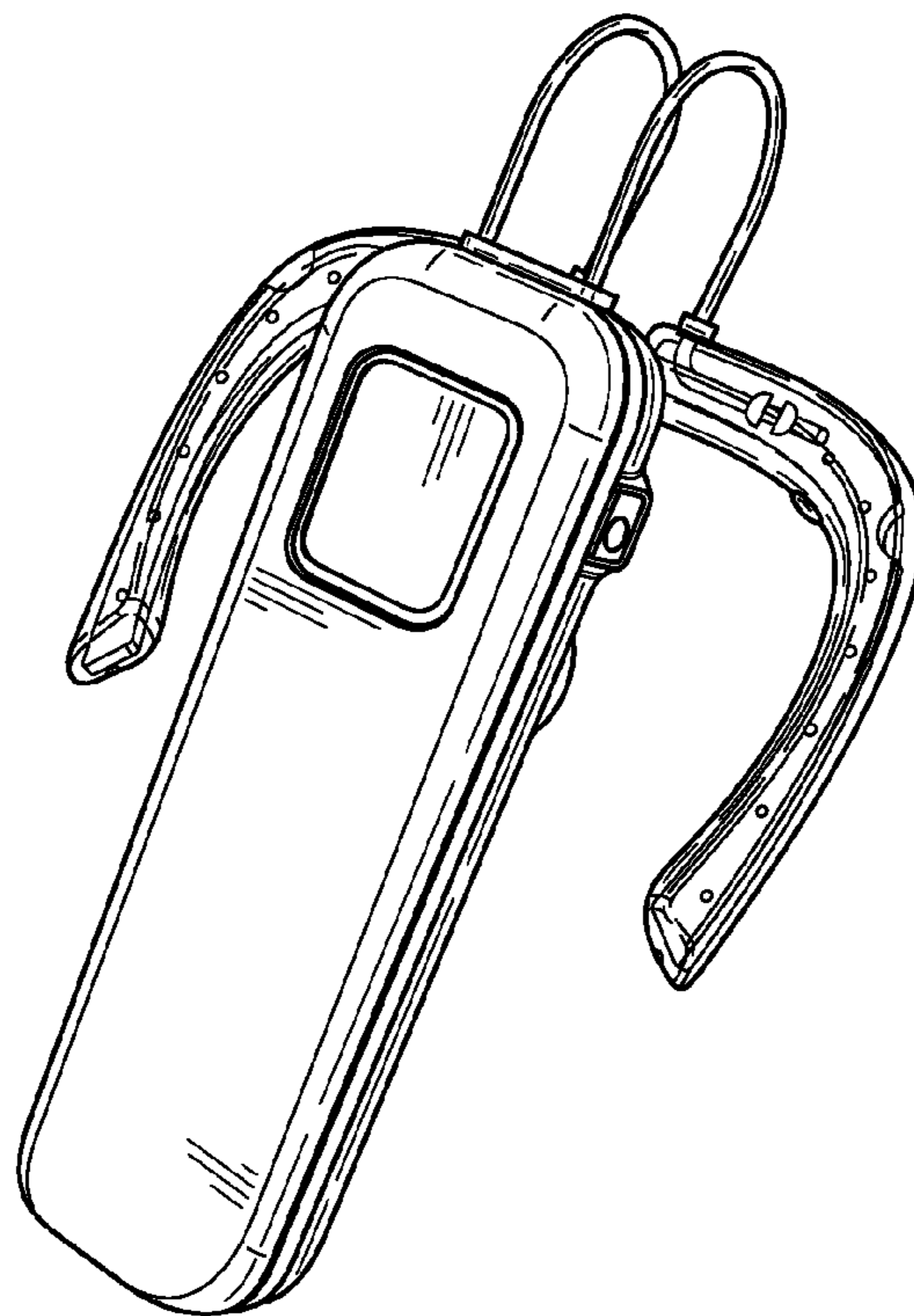


FIG. 2

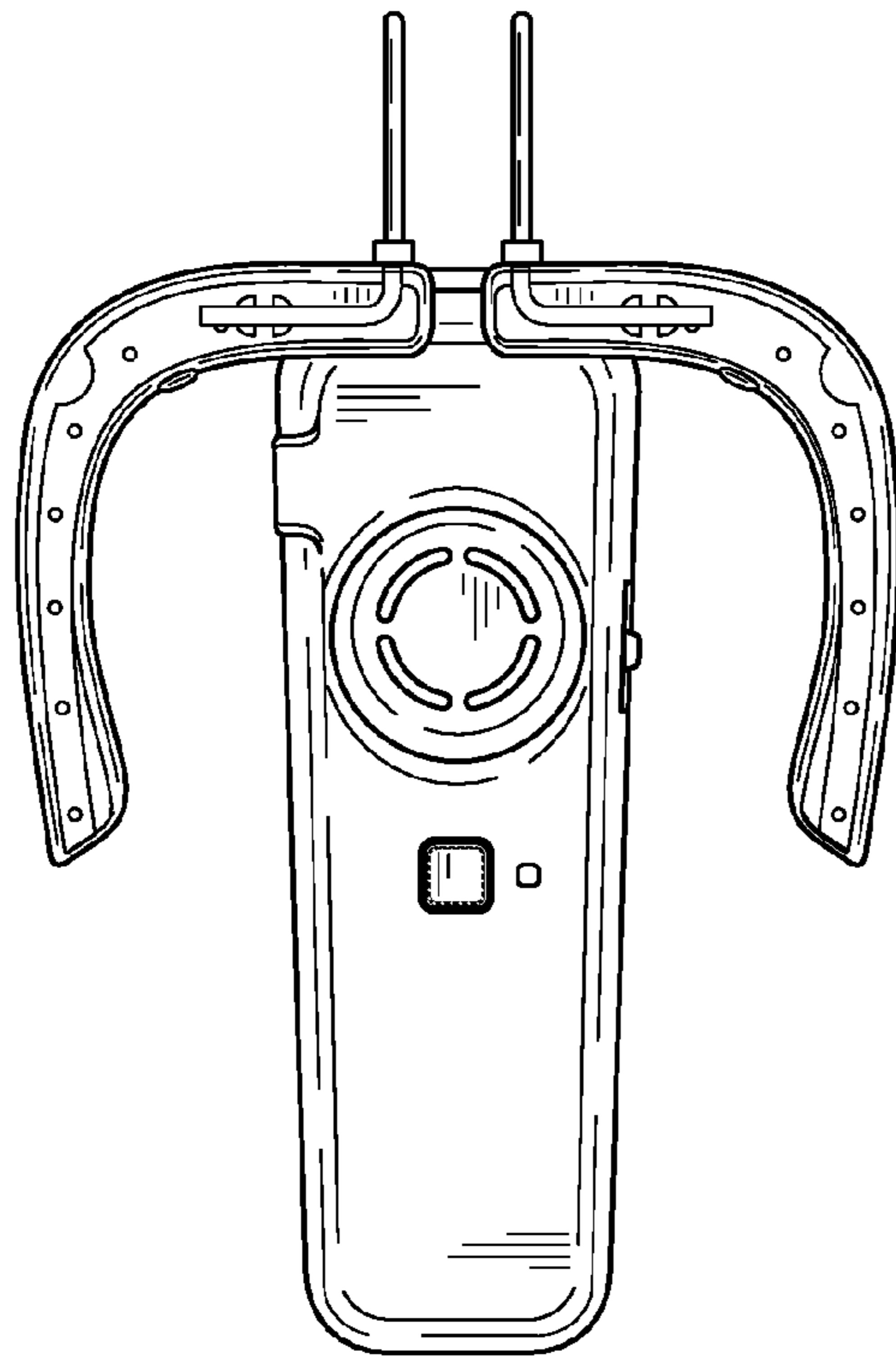


FIG. 3

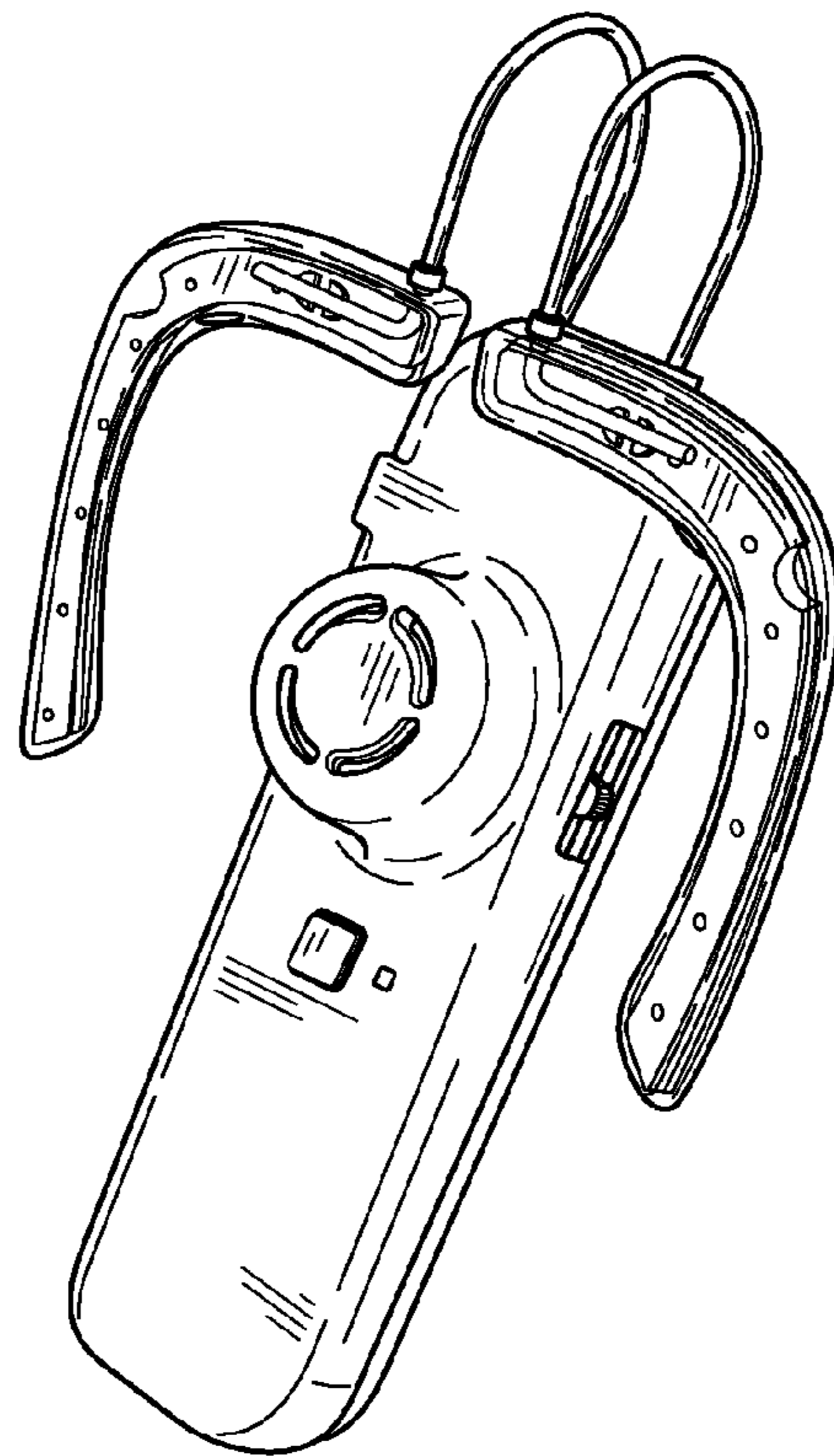


FIG. 4

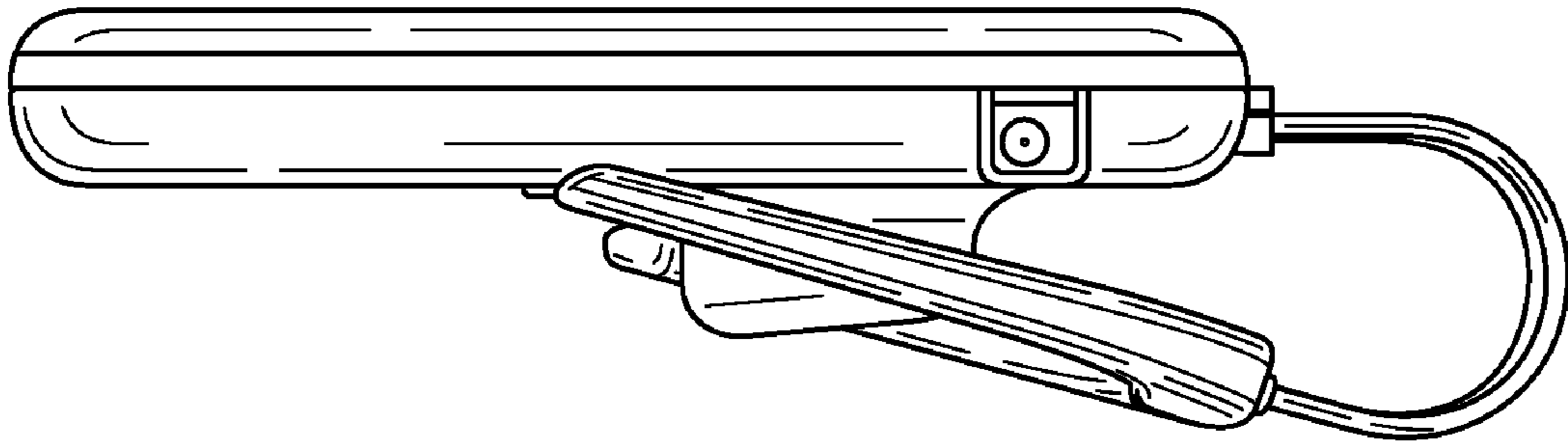


FIG. 5

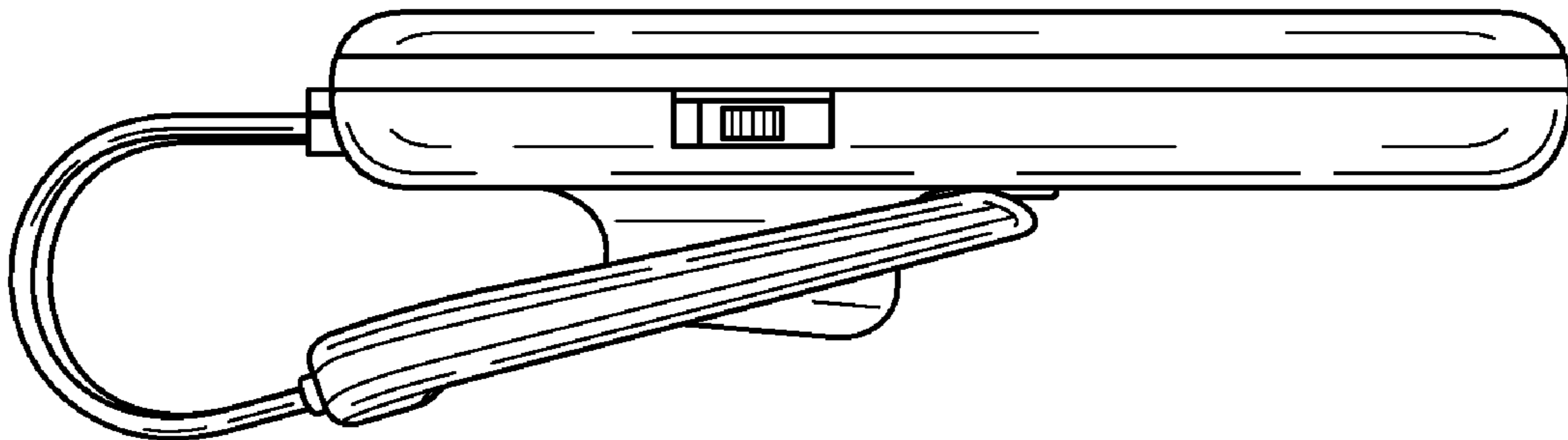


FIG. 6

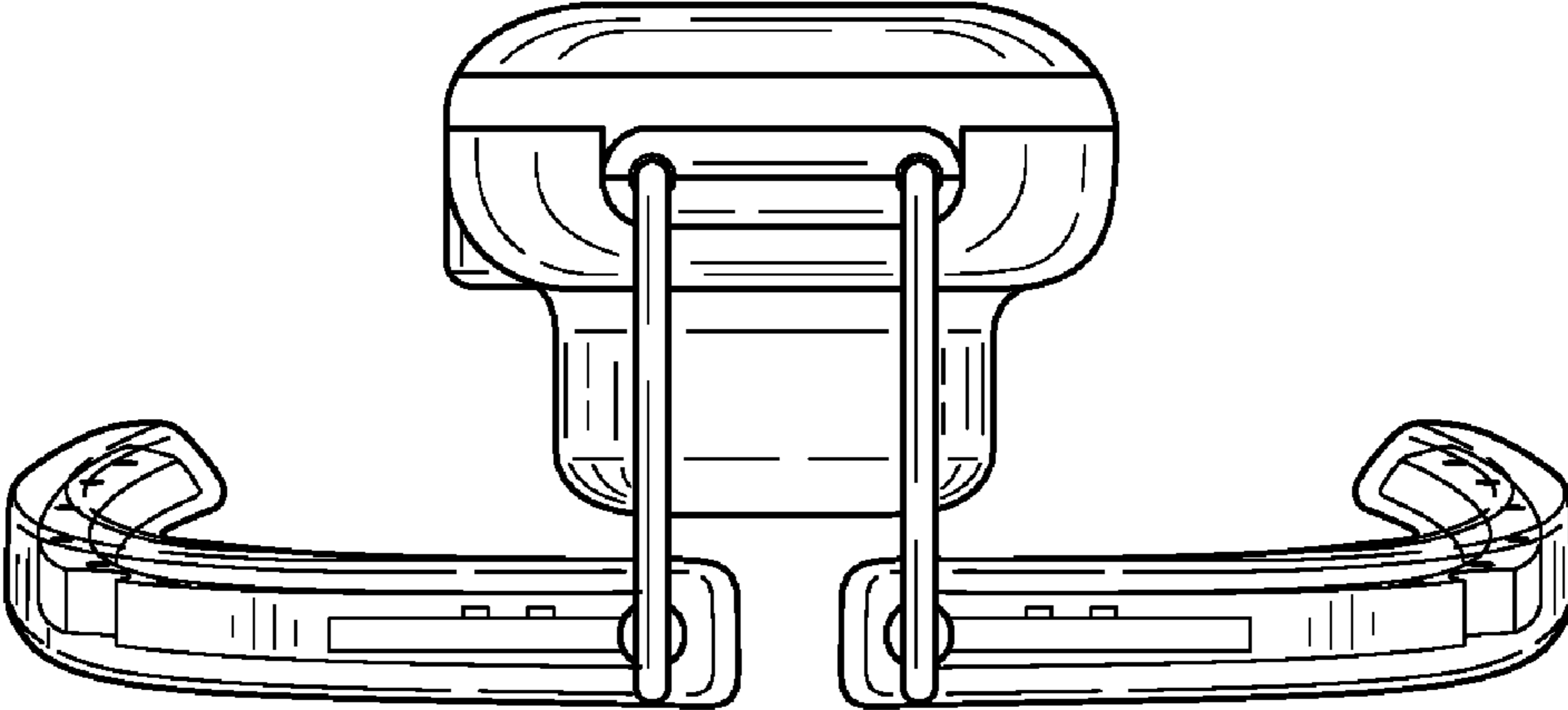


FIG. 7

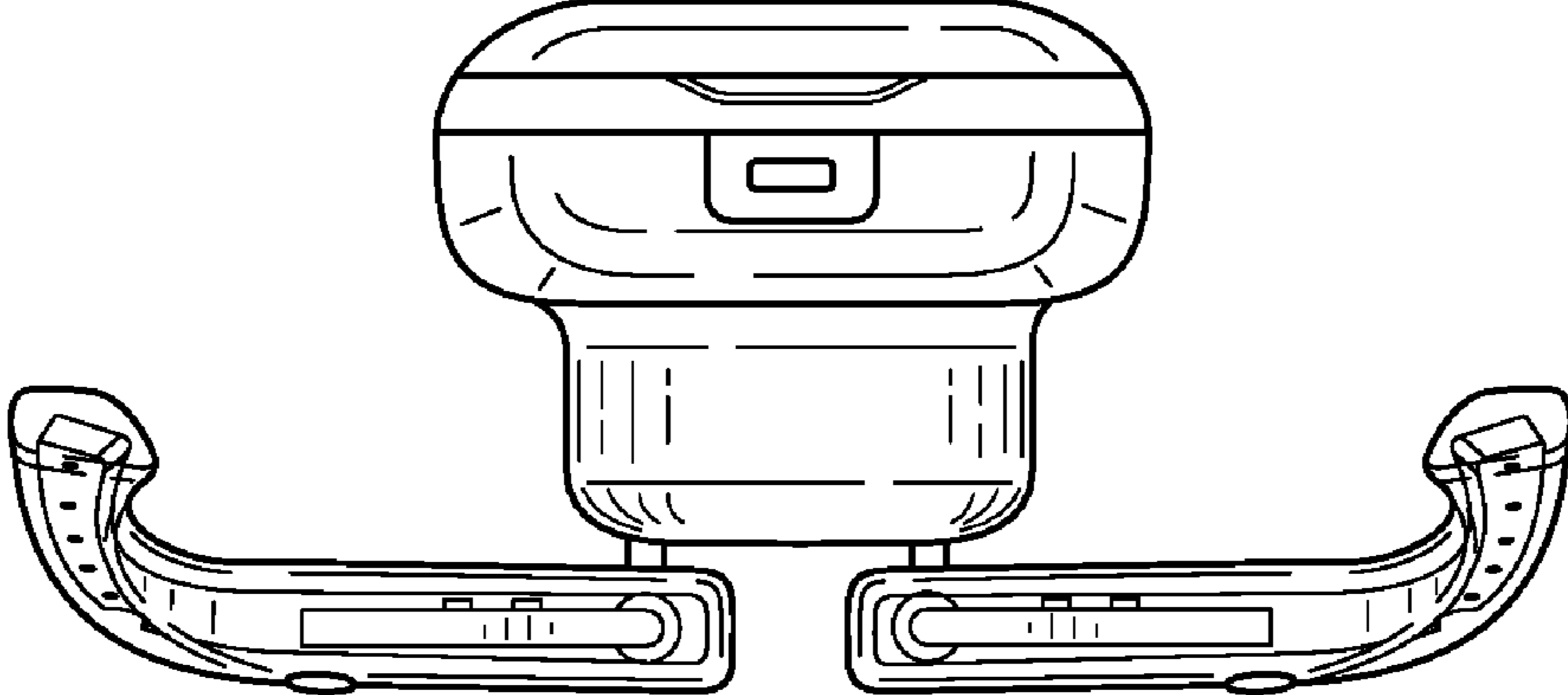


FIG. 8