



US00D575274S

(12) **United States Design Patent**  
**Donovan et al.**

(10) **Patent No.:** **US D575,274 S**  
(45) **Date of Patent:** **\*\* Aug. 19, 2008**

(54) **MEDIA PLAYER DOCK WITH SPEAKERS**

(76) Inventors: **Robert St. Clair Donovan**, 1029 Carden Dr., Franklin, TN (US) 37069; **Chris R. Helman**, 1815 Lilian St., Nashville, TN (US) 37206; **Paul P. Griffin**, 2846 Polo Club Rd., Nashville, TN (US) 37221

(\*\*) Term: **14 Years**

(21) Appl. No.: **29/281,506**

(22) Filed: **Jun. 25, 2007**

(51) **LOC (8) Cl.** ..... **14-02**

(52) **U.S. Cl.** ..... **D14/217; D14/496**

(58) **Field of Classification Search** ..... D14/496, D14/188, 156, 162, 167, 192, 194, 217, 299; D13/184; 455/347-351; 381/118-121; 361/600, 361/679, 683, 686; 248/346.01, 127  
See application file for complete search history.

(56) **References Cited**

**U.S. PATENT DOCUMENTS**

6,014,011 A \* 1/2000 DeFelice et al. .... 320/114  
6,240,297 B1 \* 5/2001 Jadoul ..... 455/466  
D515,551 S \* 2/2006 Watanabe ..... D14/168  
7,113,218 B2 \* 9/2006 Battles et al. .... 348/373

D553,643 S \* 10/2007 Nemoto ..... D14/496  
D554,107 S \* 10/2007 Calco et al. .... D14/217  
D554,622 S \* 11/2007 Joseph ..... D14/217  
D555,148 S \* 11/2007 Mittersinker et al. .... D14/217  
7,303,282 B2 \* 12/2007 Dwyer et al. .... 353/15

\* cited by examiner

*Primary Examiner*—Prabhakar Deshmukh  
(74) *Attorney, Agent, or Firm*—Jason Hornkohl

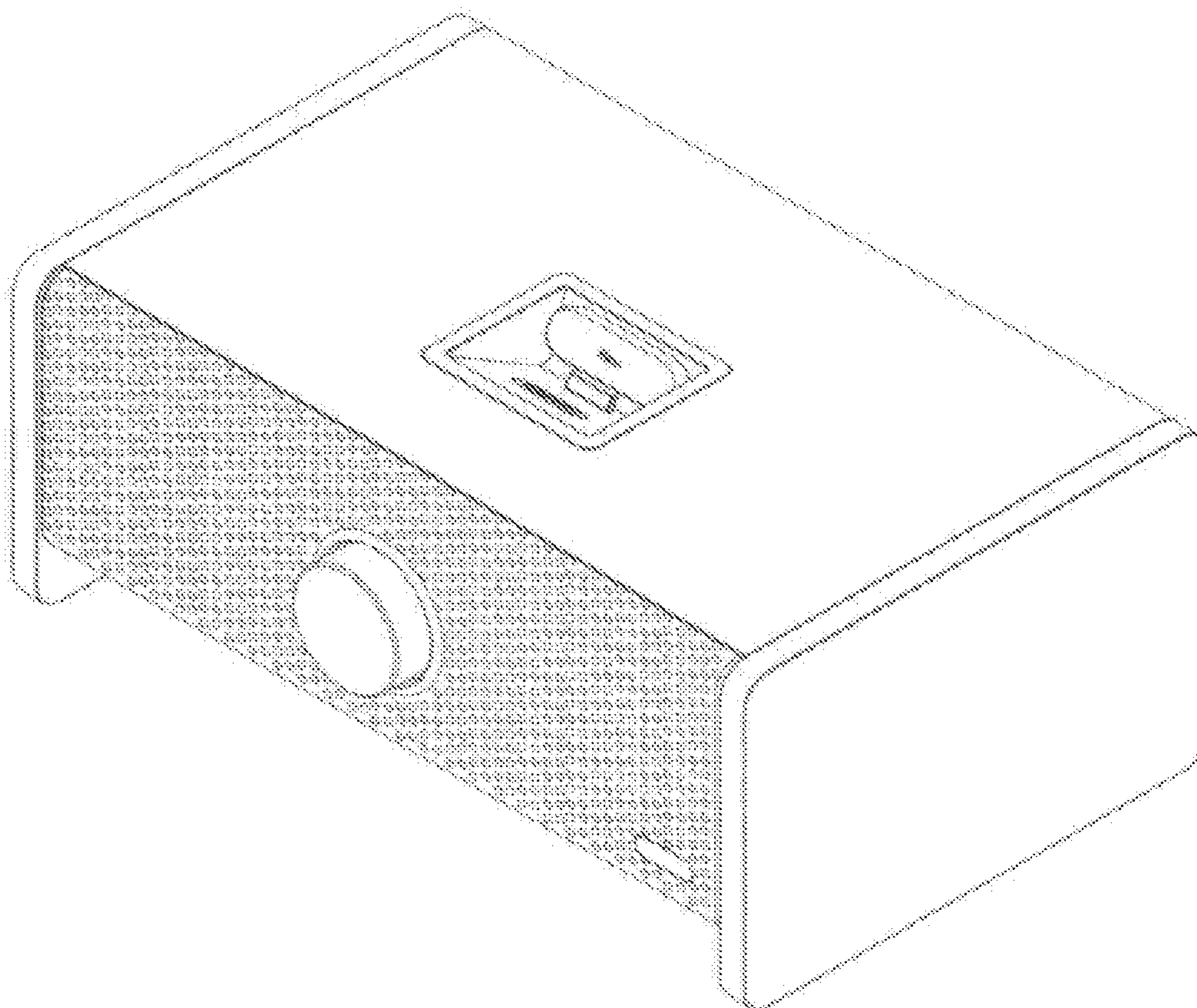
(57) **CLAIM**

The ornamental design for a media player dock with speakers, as shown and described.

**DESCRIPTION**

FIG. 1 is an isometric view showing the new design for a media player dock with speakers;  
FIG. 2 is a front view of the media player dock with speakers;  
FIG. 3 is a side view of the media player dock with speakers;  
FIG. 4 is a back view of the media player dock with speakers;  
FIG. 5 is a top view of the media player dock with speakers; and,  
FIG. 6 is a bottom view of the media player dock with speakers.

**1 Claim, 4 Drawing Sheets**



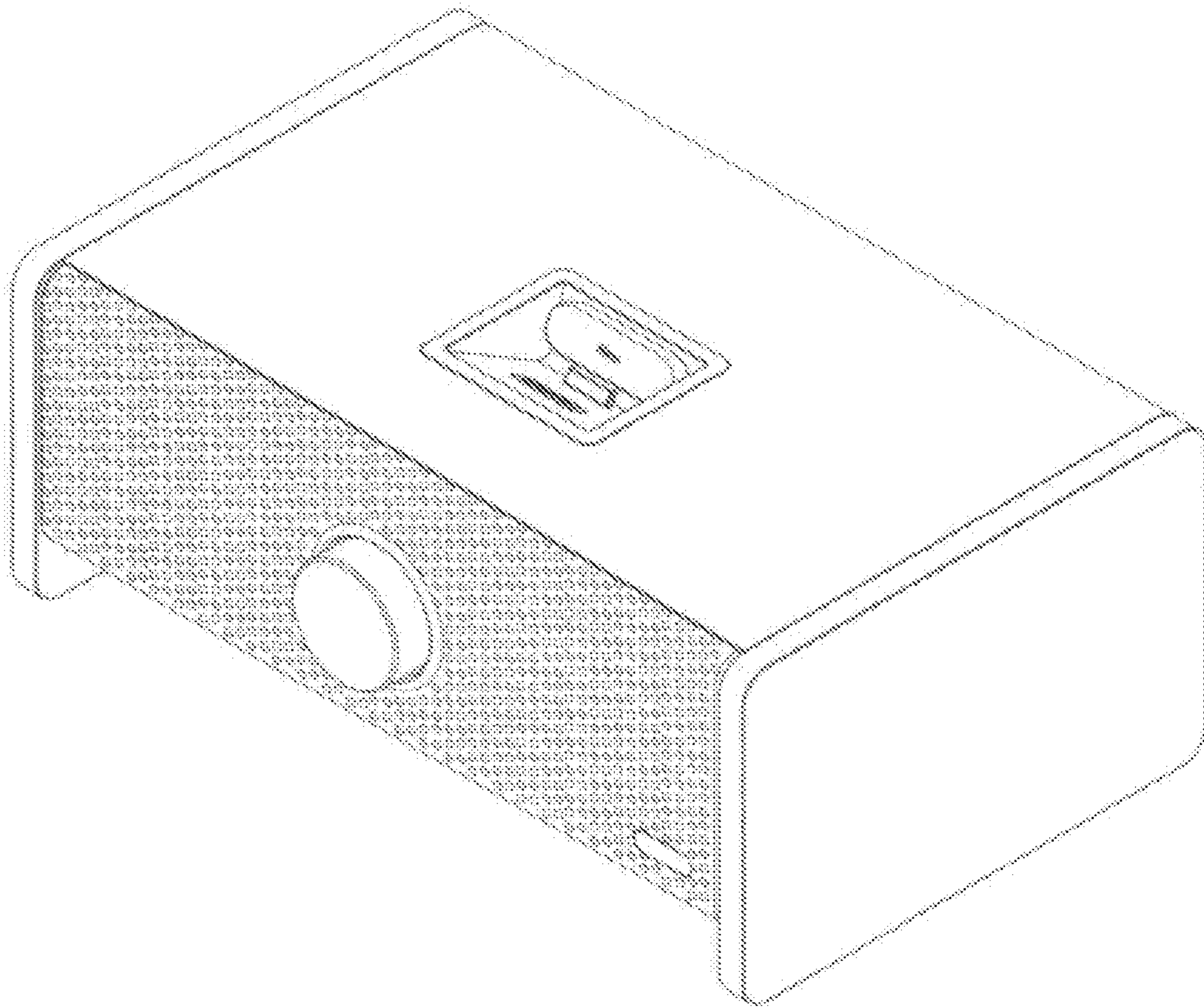


FIG.1

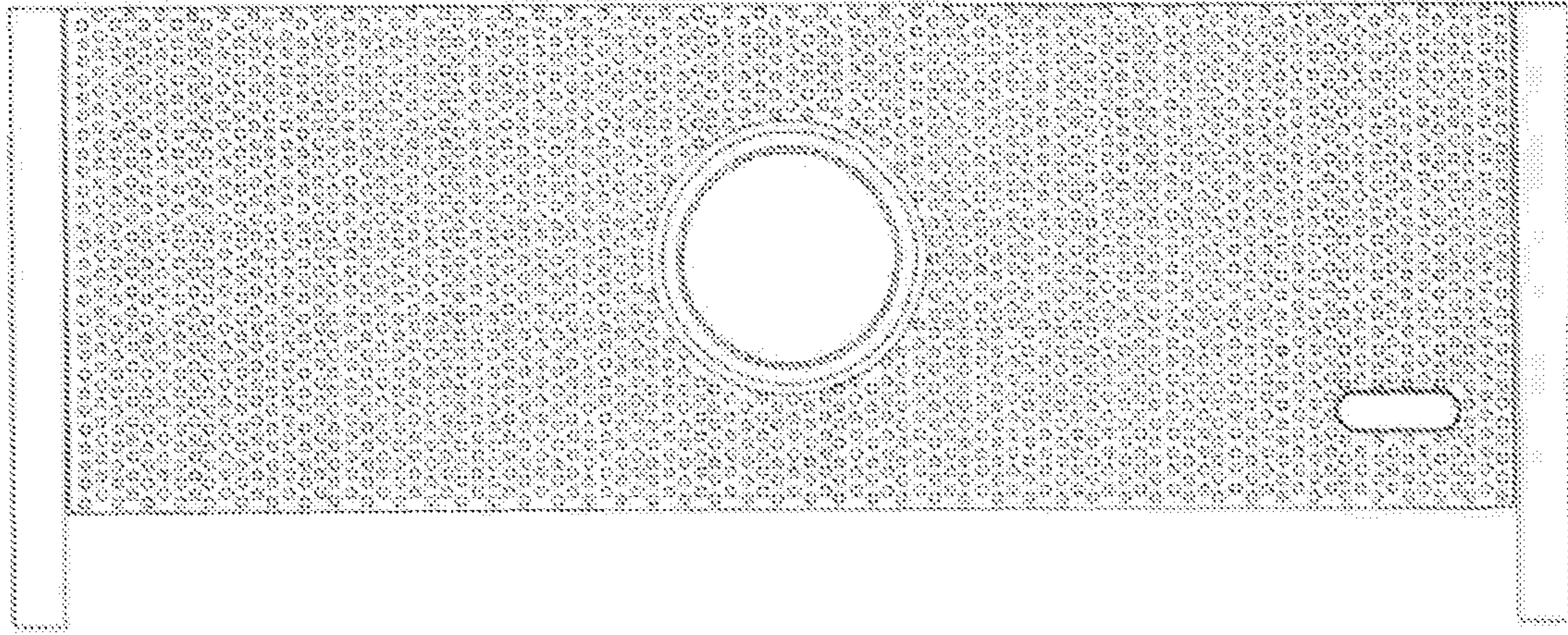


FIG. 2

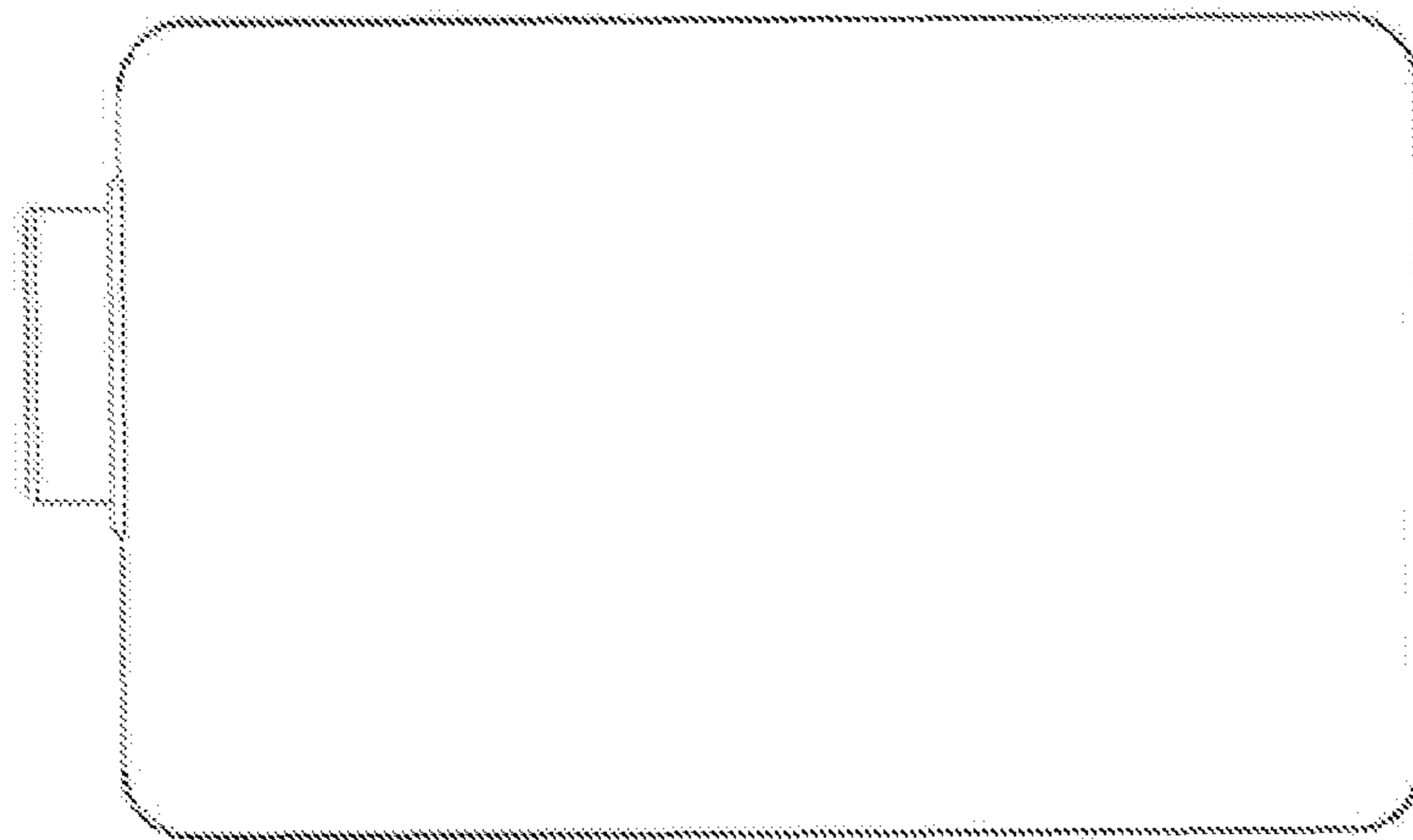


FIG. 3

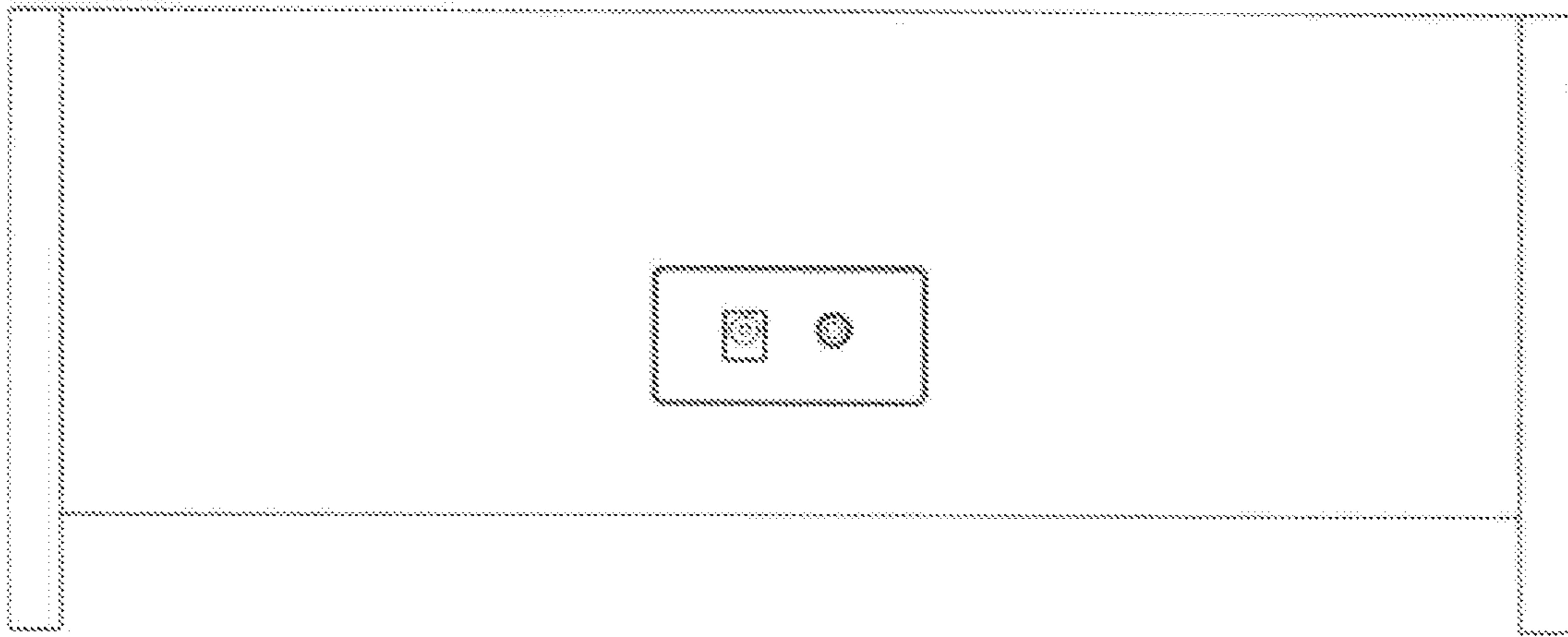


FIG. 4

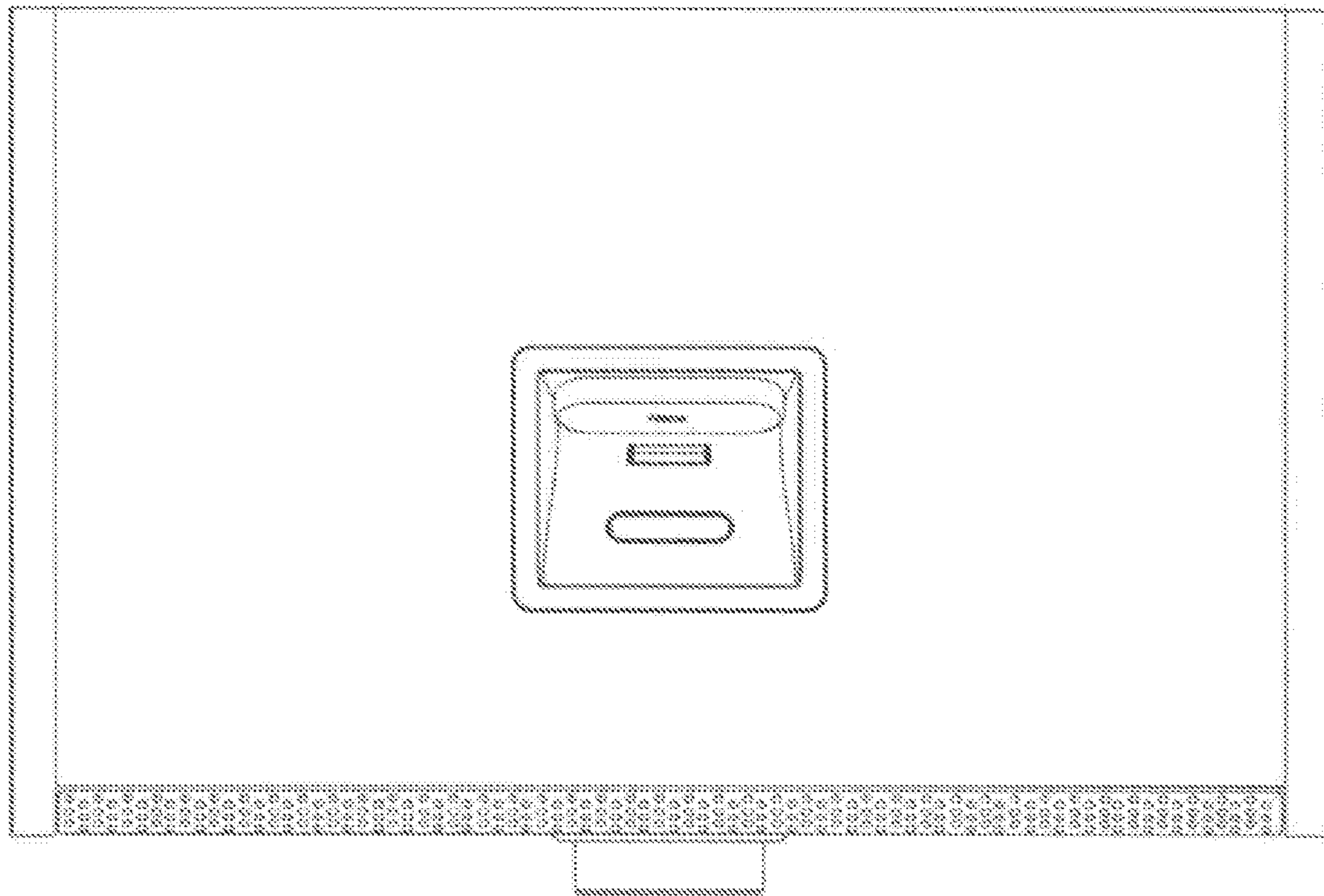


FIG. 5

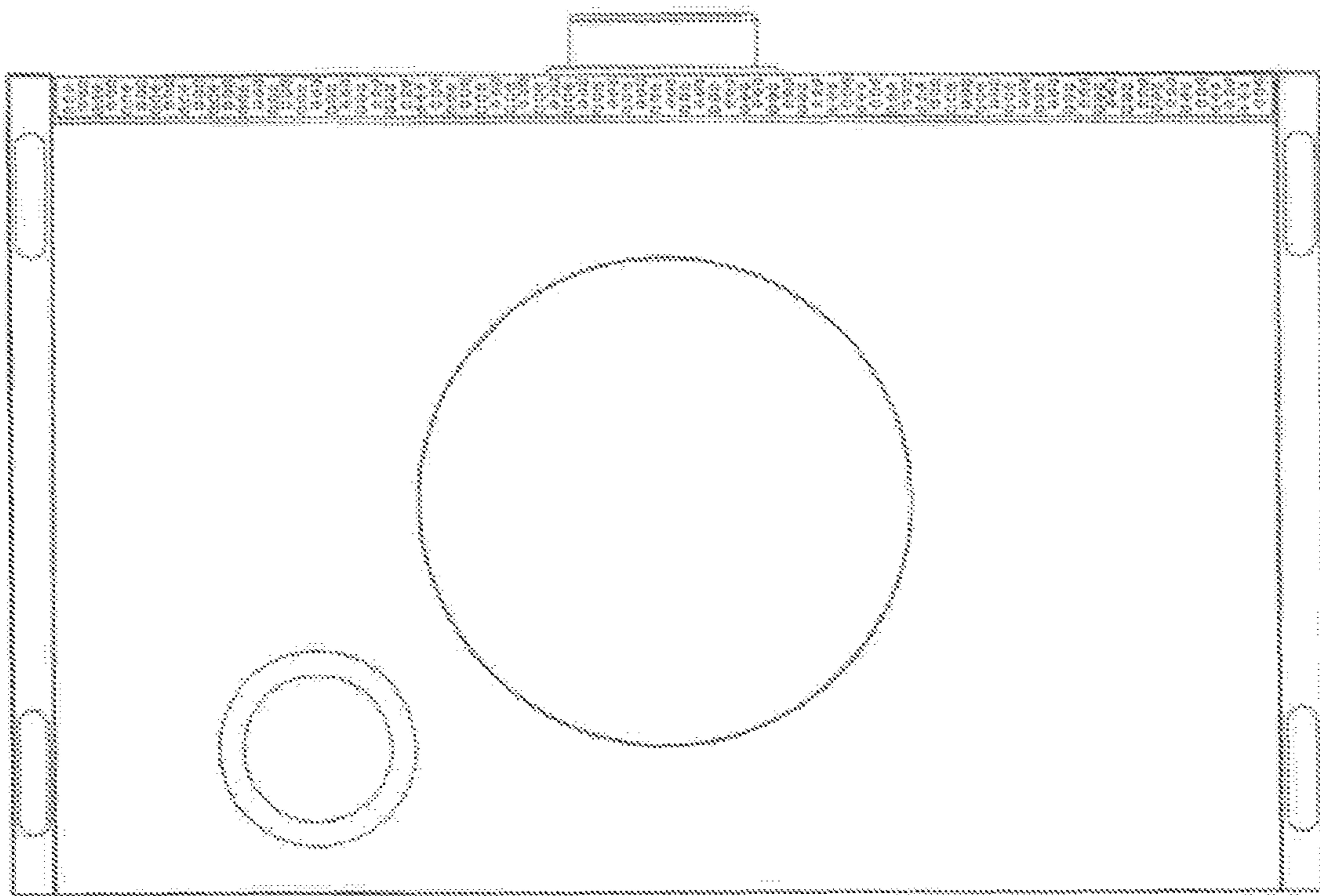


FIG. 6