



US00D575273S

(12) **United States Design Patent**
Cherry, II

(10) **Patent No.:** **US D575,273 S**

(45) **Date of Patent:** **** Aug. 19, 2008**

(54) **SPEAKER HOUSING**

(75) Inventor: **Ronnie D. Cherry, II**, Rockwall, TX (US)

(73) Assignee: **AudioFormz, Inc.**, Wills Point, TX (US)

(**) Term: **14 Years**

(21) Appl. No.: **29/276,344**

(22) Filed: **Jan. 23, 2007**

(51) **LOC (8) Cl.** **14-01**

(52) **U.S. Cl.** **D14/216**

(58) **Field of Classification Search** D14/204,
D14/207, 209–216; D26/34; 181/143–144,
181/147–148, 150, 157, 198–199, 151, 153;
381/300–302, 306, 333, 345, 361–364, 386–388,
381/332, 336; D12/114

See application file for complete search history.

(56) **References Cited**

U.S. PATENT DOCUMENTS

D288,246 S *	2/1987	Wing	D26/34
D474,998 S *	5/2003	Green	D12/114
6,647,121 B2 *	11/2003	Stanberry et al.	381/86
D498,229 S *	11/2004	Allen	D14/211
D513,745 S *	1/2006	Allen	D14/211
D524,799 S *	7/2006	Hibi	D14/216
D535,288 S *	1/2007	Files	D14/215

* cited by examiner

Primary Examiner—Nanda Bondade

(74) *Attorney, Agent, or Firm*—Michael A. O’Neil

(57) **CLAIM**

The ornamental design for a speaker housing, as shown and described.

DESCRIPTION

FIG. 1 is a front perspective view of a speaker housing showing my new design;

FIG. 2 is a front view of the speaker housing shown in FIG. 1;

FIG. 3 is a left side view of the speaker housing shown in FIG. 1;

FIG. 4 is a left side view of the speaker housing shown in FIG. 1;

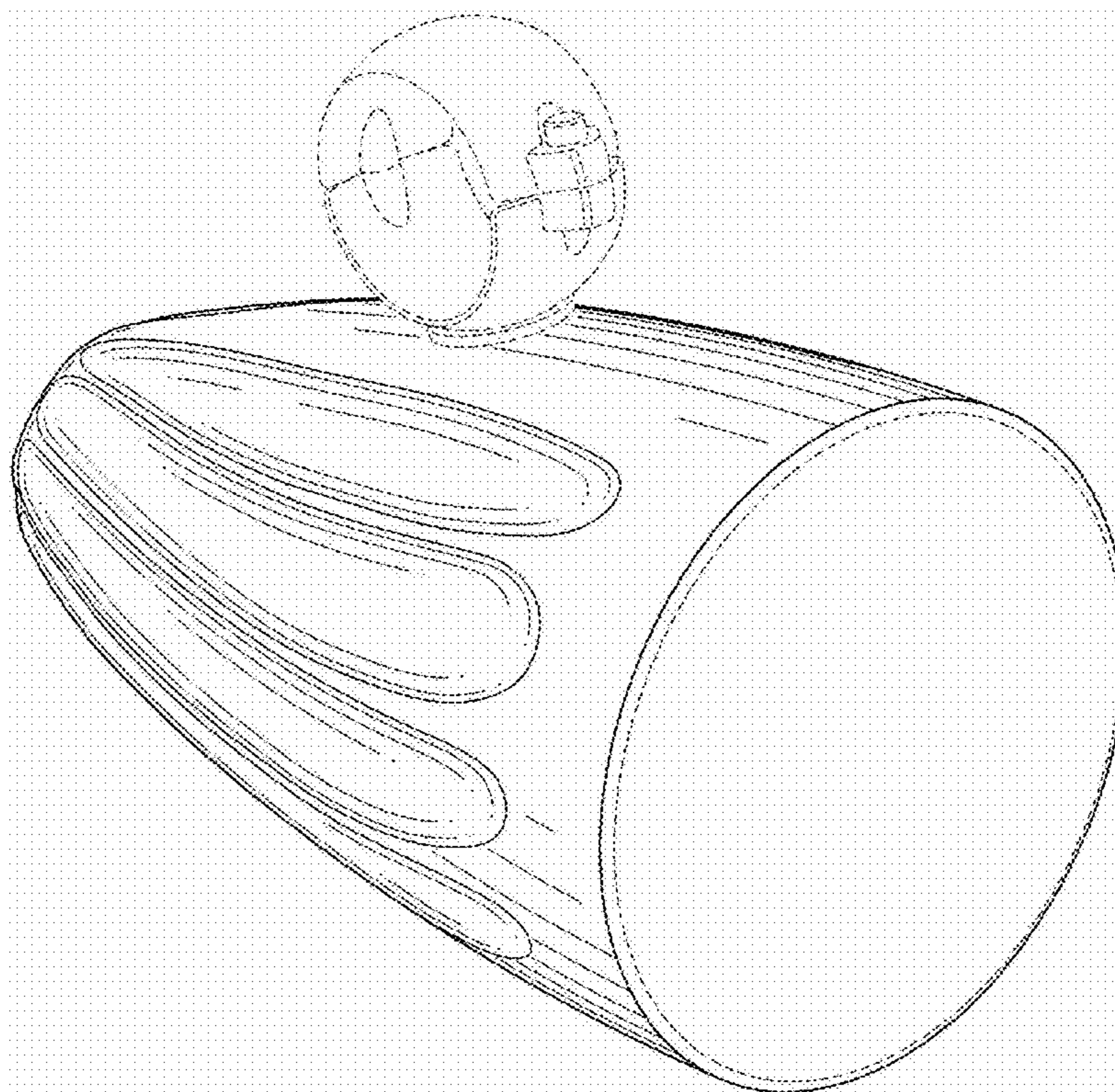
FIG. 5 is a back view of the speaker housing shown in FIG. 1;

FIG. 6 is a top view of the speaker housing shown in FIG. 1; and,

FIG. 7 is a bottom view of the speaker housing shown in FIG. 1.

The broken line showing on the drawing disclosure is for illustrative purposes only and forms no part of the claimed design.

1 Claim, 3 Drawing Sheets



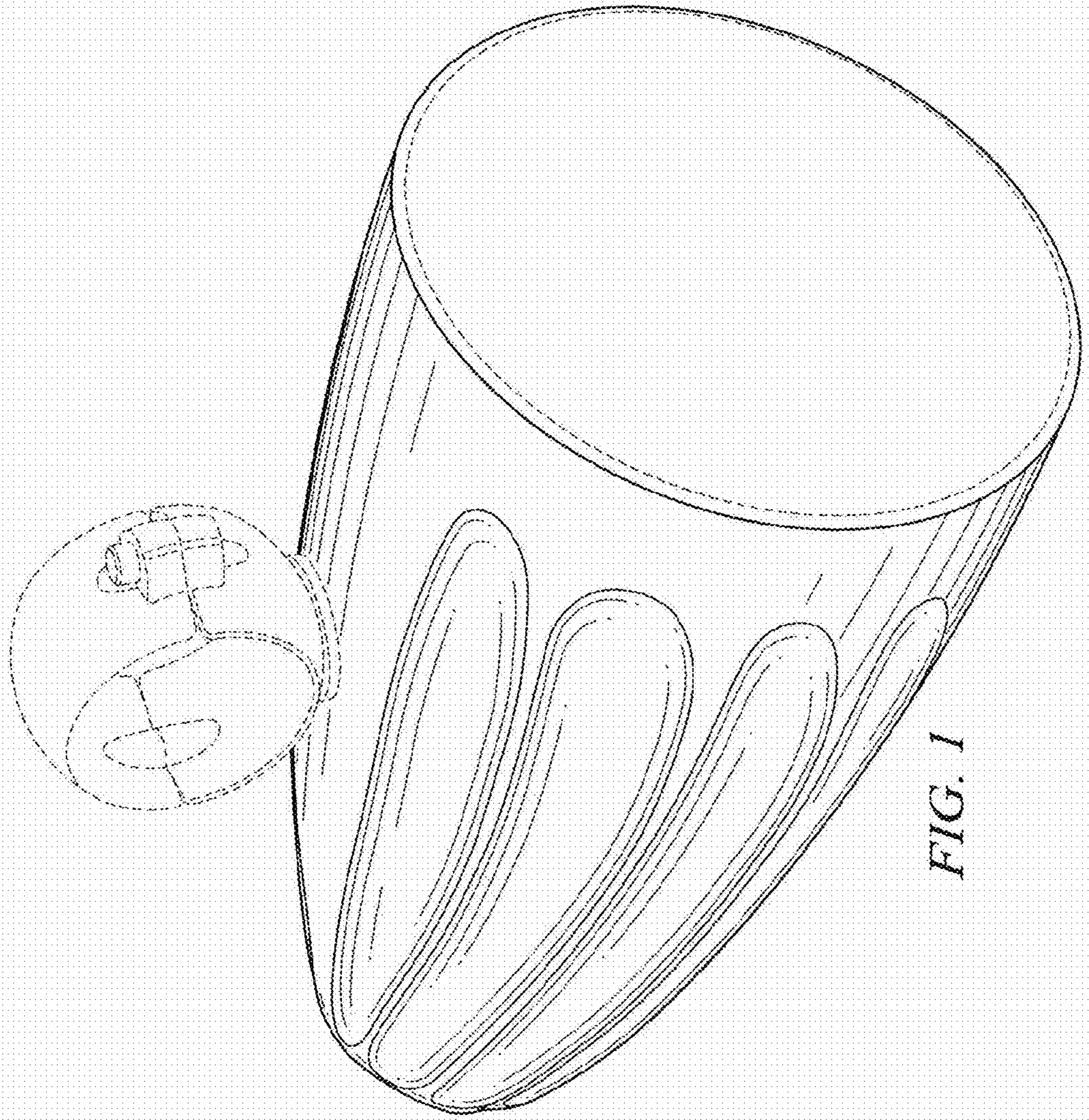


FIG. 1

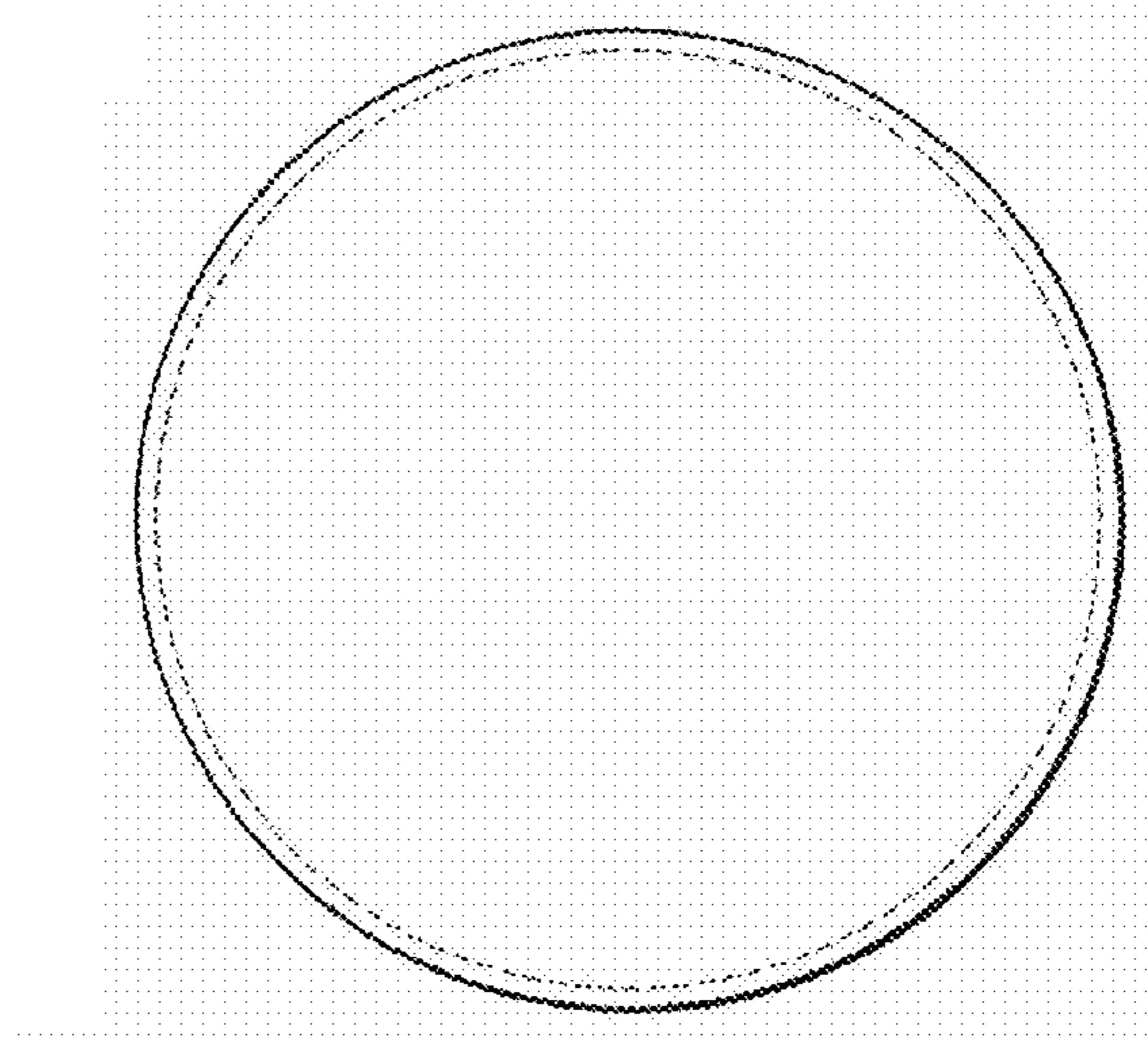


FIG. 2

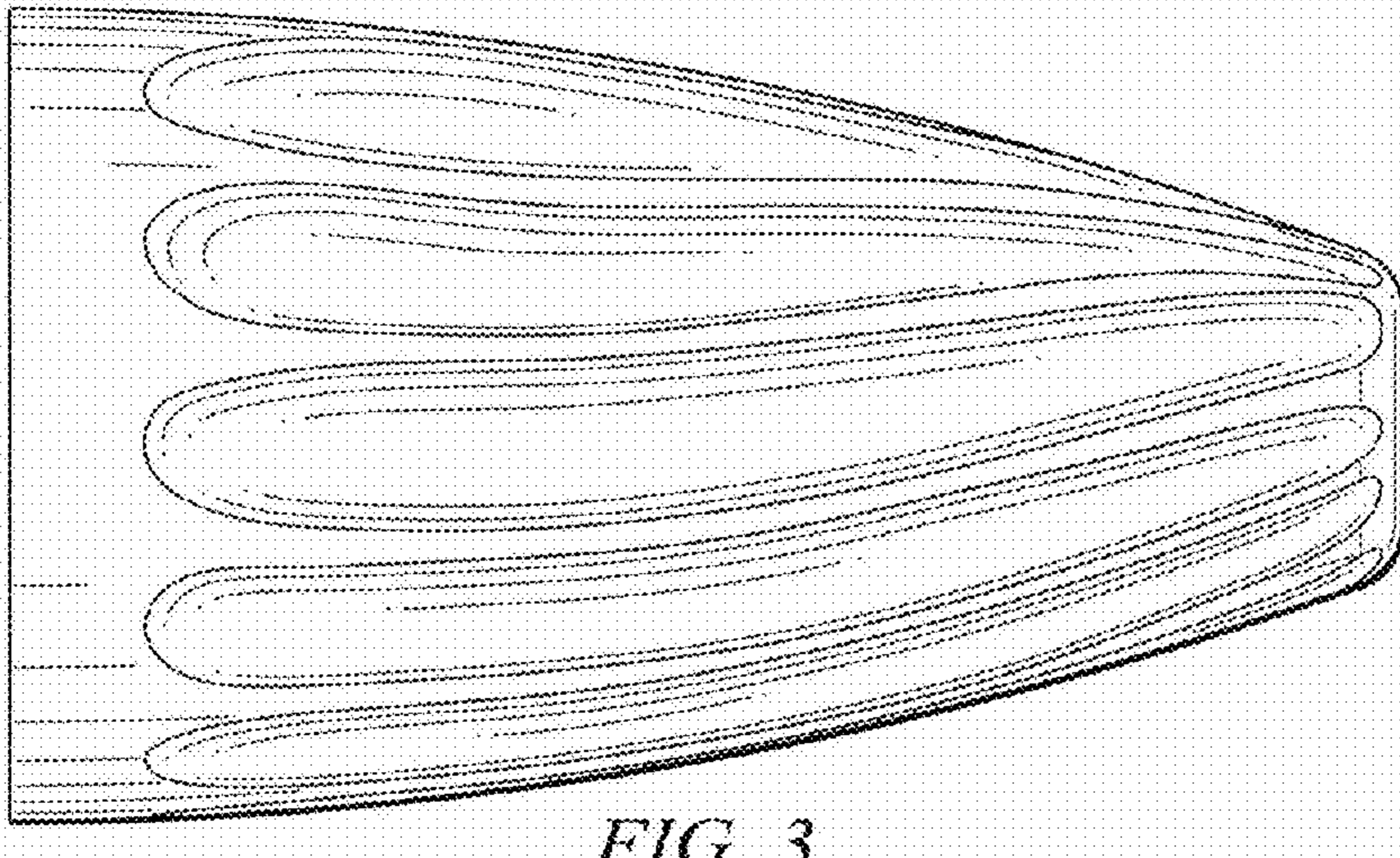


FIG. 3

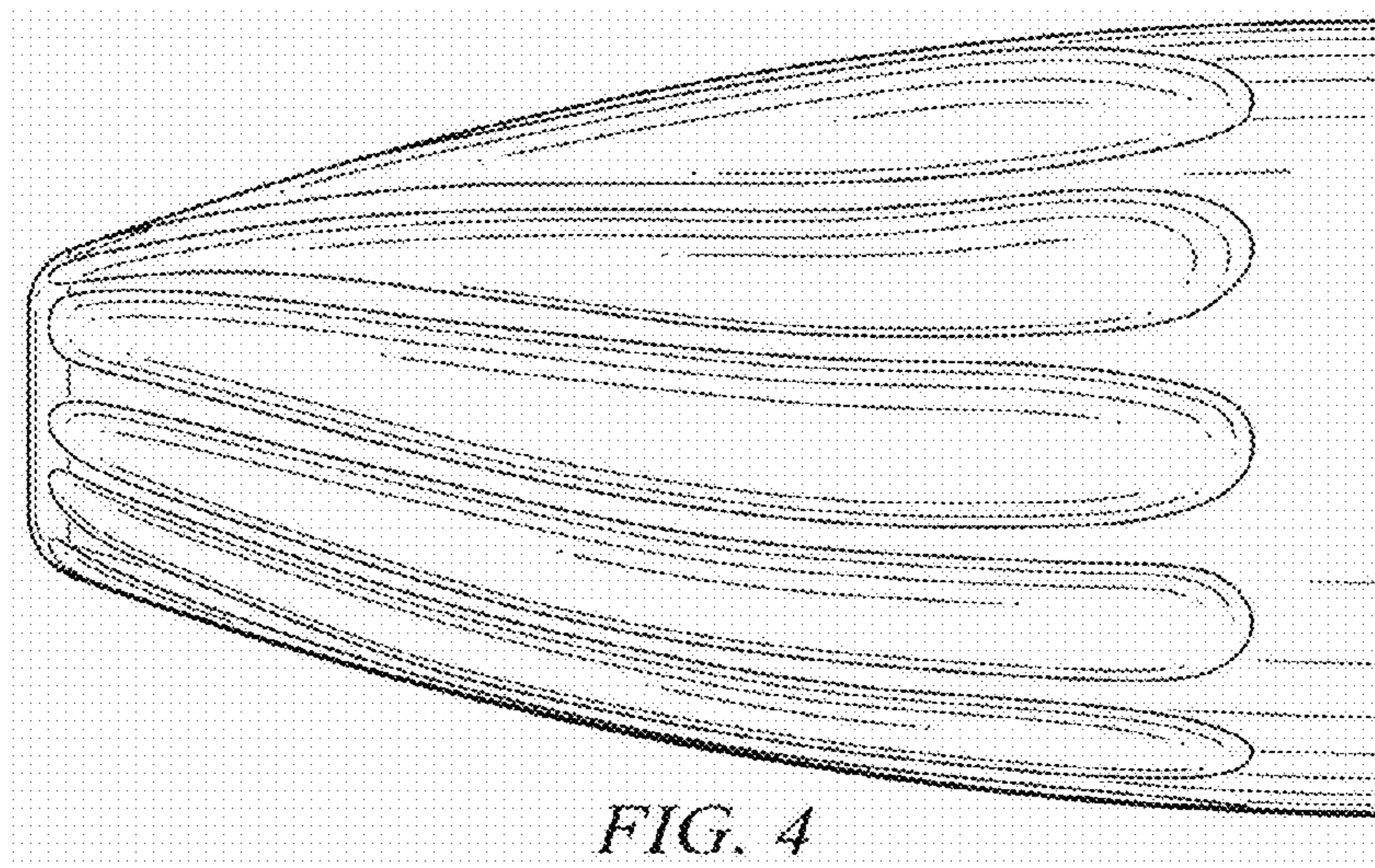


FIG. 4

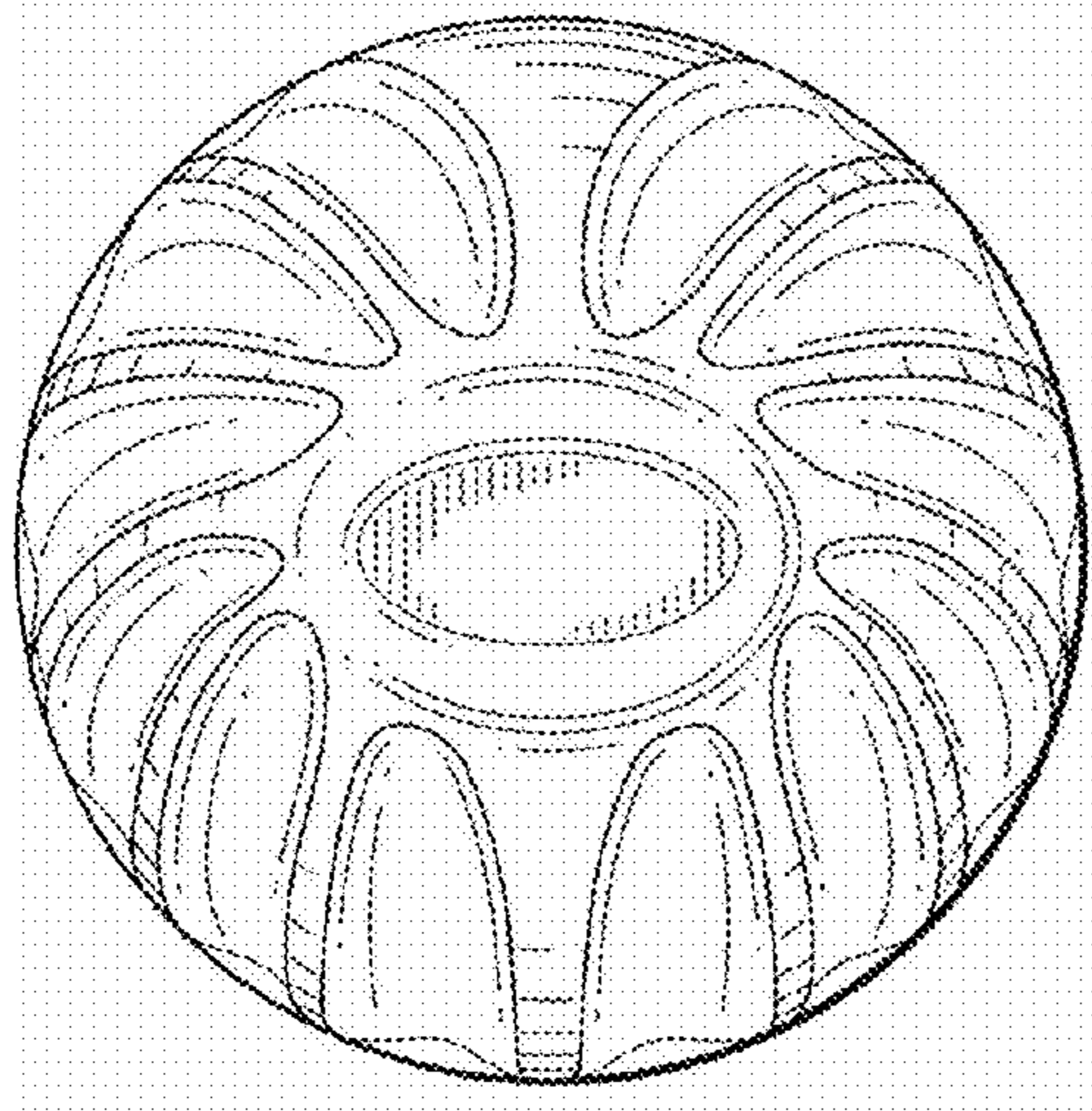


FIG. 5

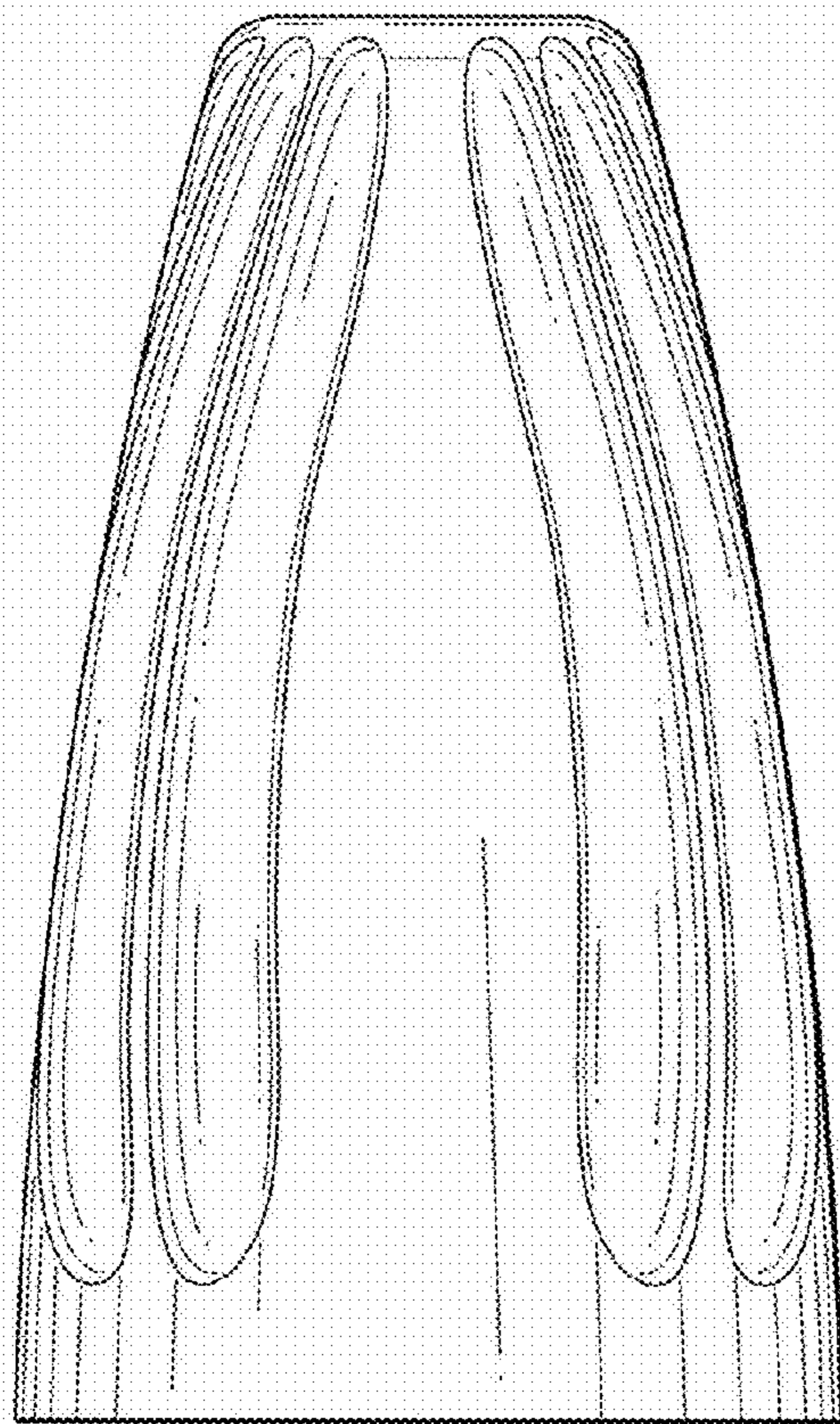


FIG. 6

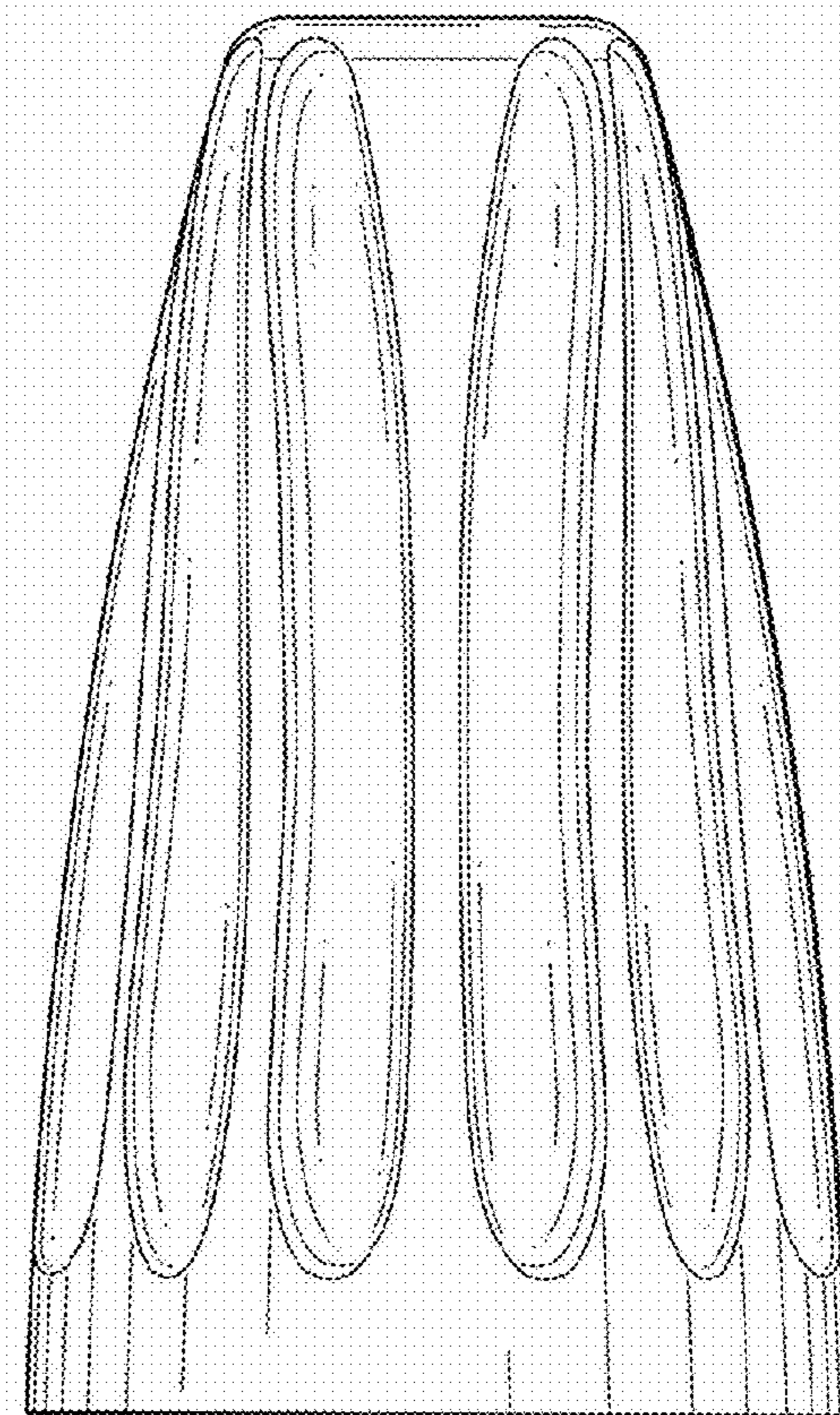


FIG. 7