



US00D575272S

(12) **United States Design Patent**  
**Shih et al.**

(10) **Patent No.:** **US D575,272 S**  
(45) **Date of Patent:** **\*\* Aug. 19, 2008**

(54) **SPEAKER**

D470,472 S \* 2/2003 Liu ..... D14/214  
D484,484 S \* 12/2003 Green ..... D14/204

(75) Inventors: **Wei-Ming Shih**, Chung Ho (TW);  
**Min-Chieh Chai**, Chung Ho (TW)

\* cited by examiner

(73) Assignee: **AmTran Technology Co., Ltd**, Chung  
Ho, Taipei County (TW)

*Primary Examiner*—Nanda Bondade  
(74) *Attorney, Agent, or Firm*—Stevens & Showalter LLP

(\*\*) Term: **14 Years**

(57) **CLAIM**

(21) Appl. No.: **29/297,638**

The ornamental design for a “speaker,” as shown and described.

(22) Filed: **Nov. 15, 2007**

**DESCRIPTION**

(51) **LOC (8) Cl.** ..... **14-01**

(52) **U.S. Cl.** ..... **D14/214**

(58) **Field of Classification Search** ..... D14/204,  
D14/209–216; 181/143–144, 147–148, 150,  
181/157, 198–199, 151, 153; 381/300–302,  
381/306, 333, 345, 361–364, 386–388, 332,  
381/336; 348/14.01

See application file for complete search history.

FIG. 1 is a perspective view of speaker showing our new design;

FIG. 2 is a front view thereof;

FIG. 3 is a rear view thereof;

FIG. 4 is a left side elevational view thereof;

FIG. 5 is a right side elevational view thereof;

FIG. 6 is a top view thereof;

FIG. 7 is a bottom view thereof; and,

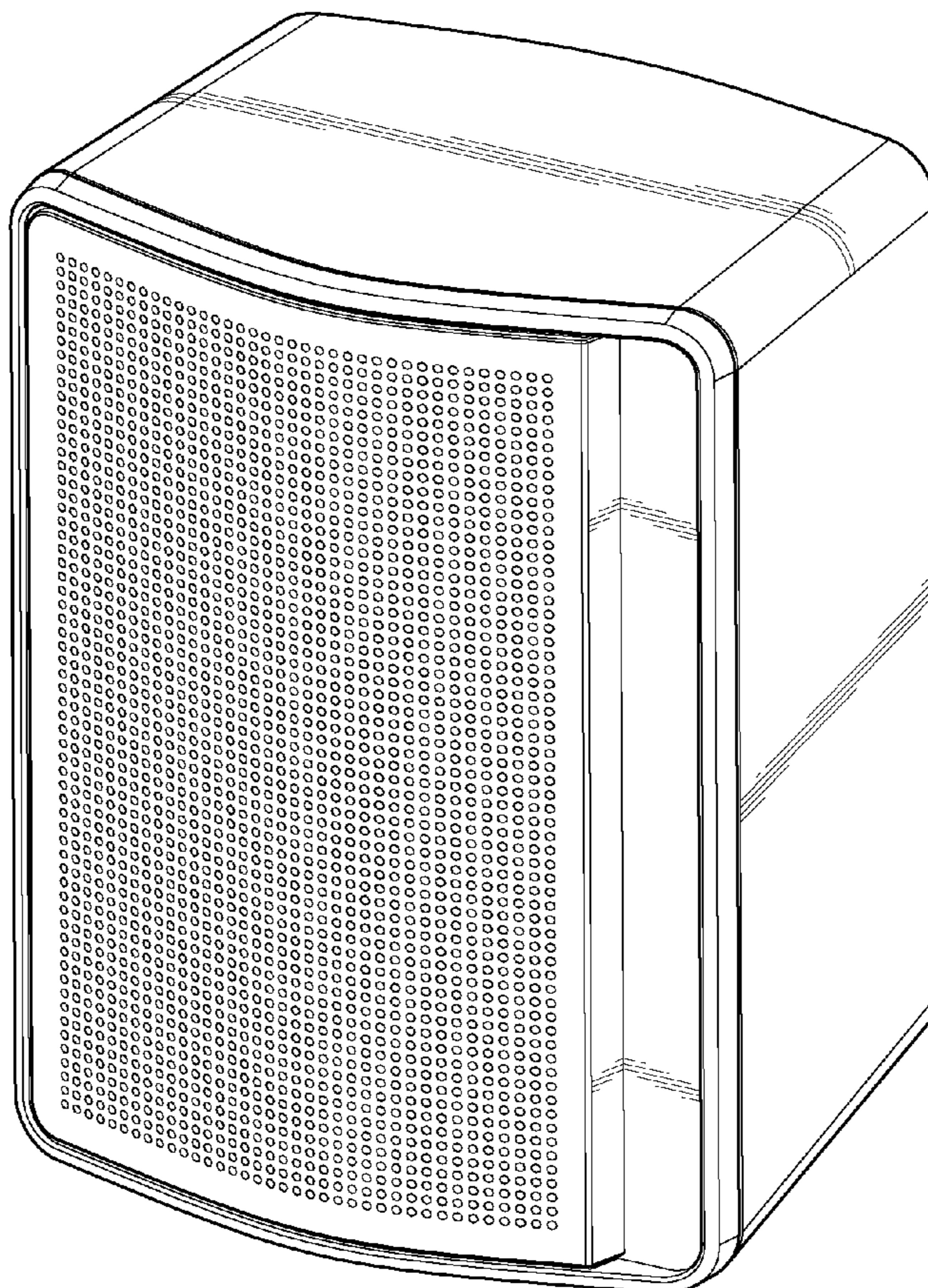
FIG. 8 is another perspective view thereof.

(56) **References Cited**

**U.S. PATENT DOCUMENTS**

4,805,730 A \* 2/1989 O'Neill et al. .... 181/148  
D410,006 S \* 5/1999 Miyazaki ..... D14/214

**1 Claim, 8 Drawing Sheets**



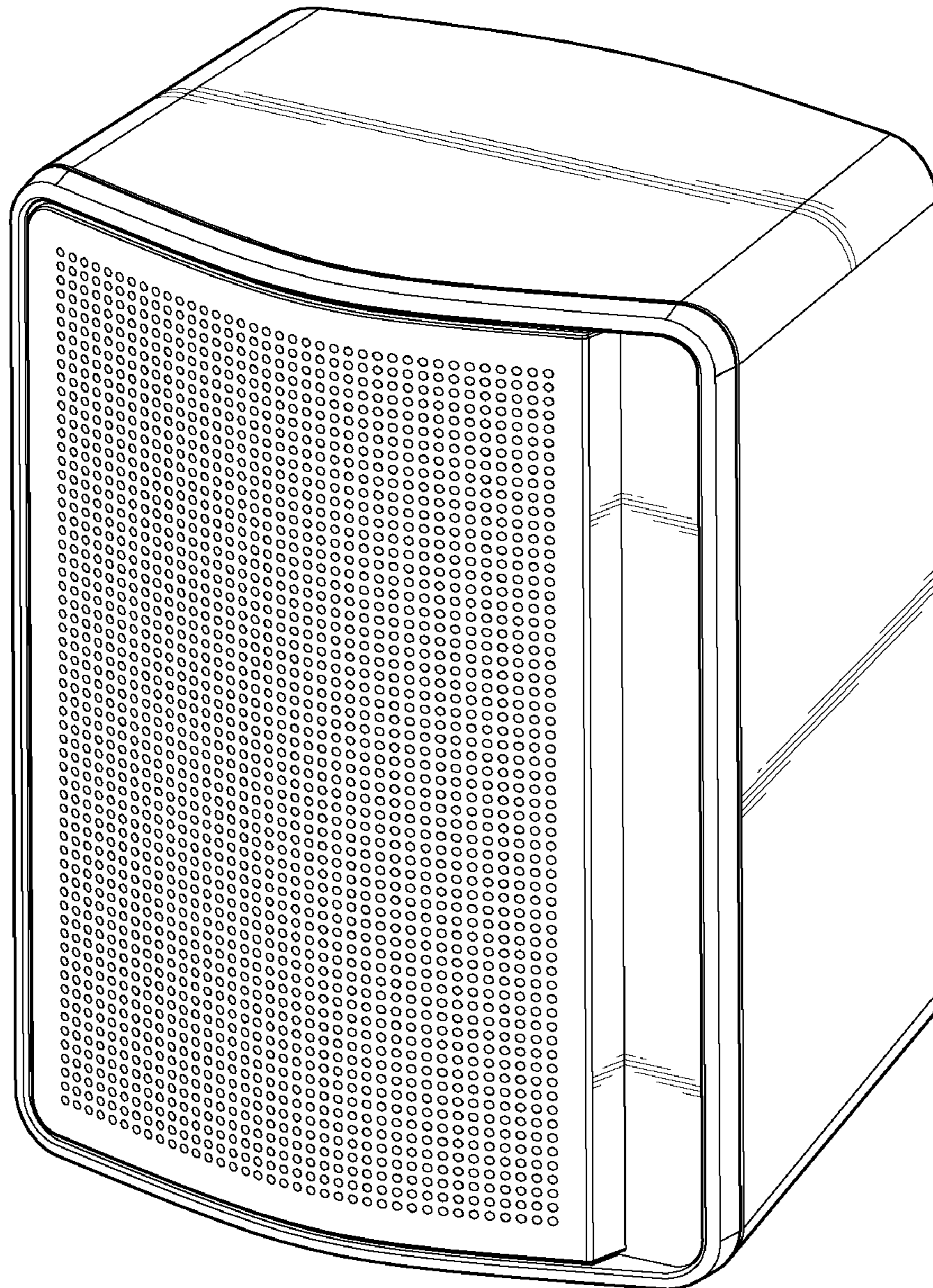


FIG.1



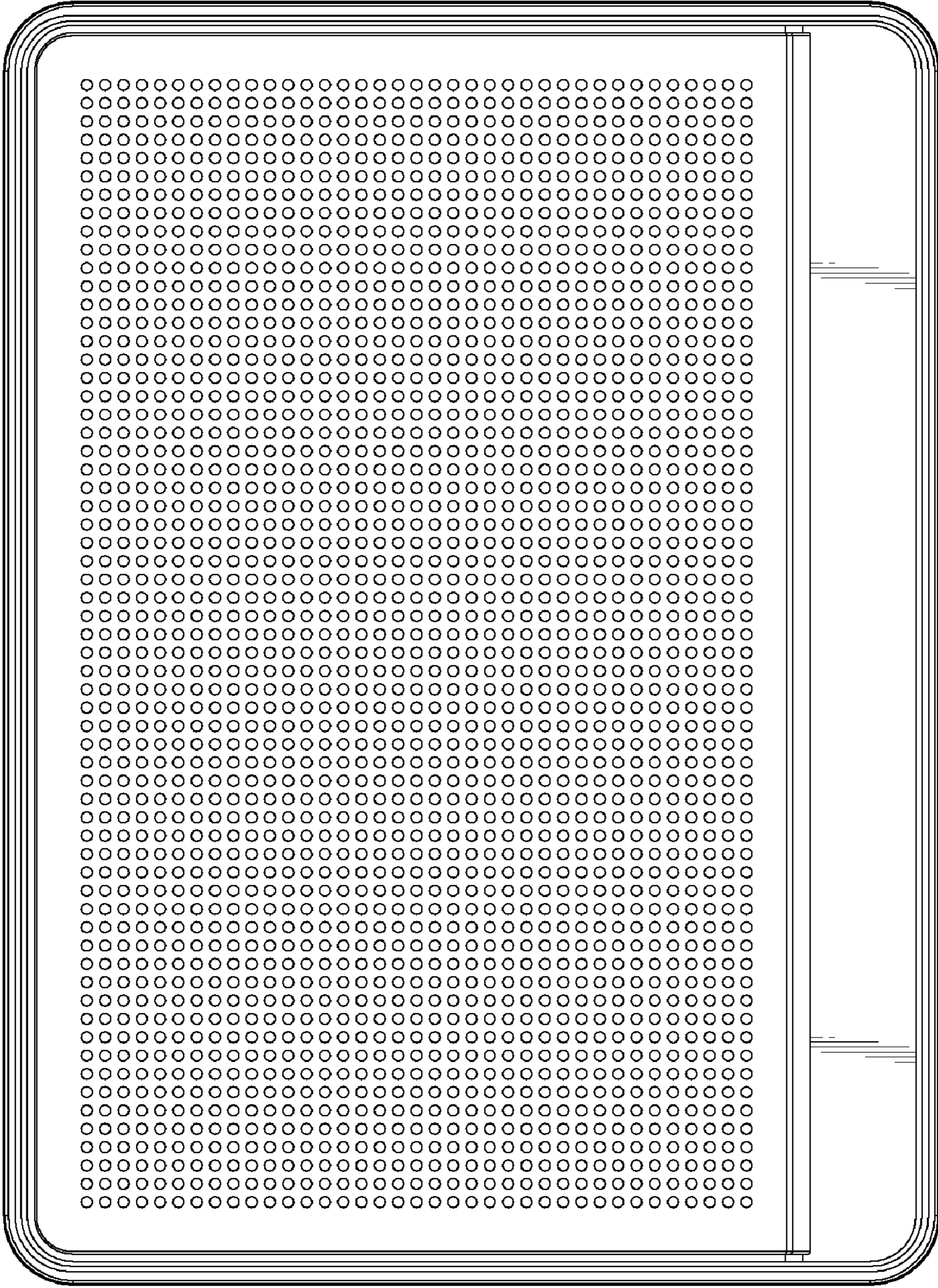


FIG.2

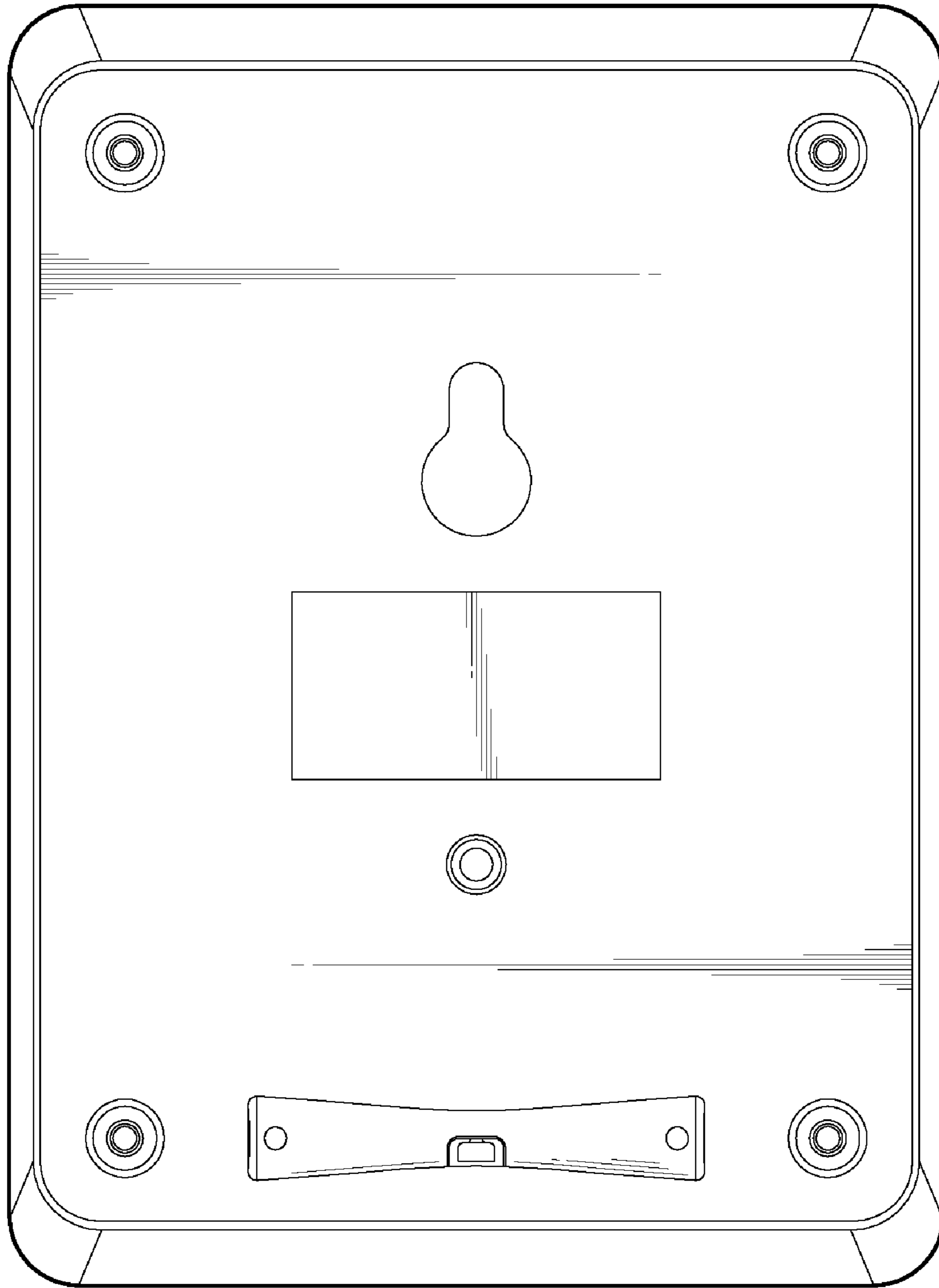


FIG.3

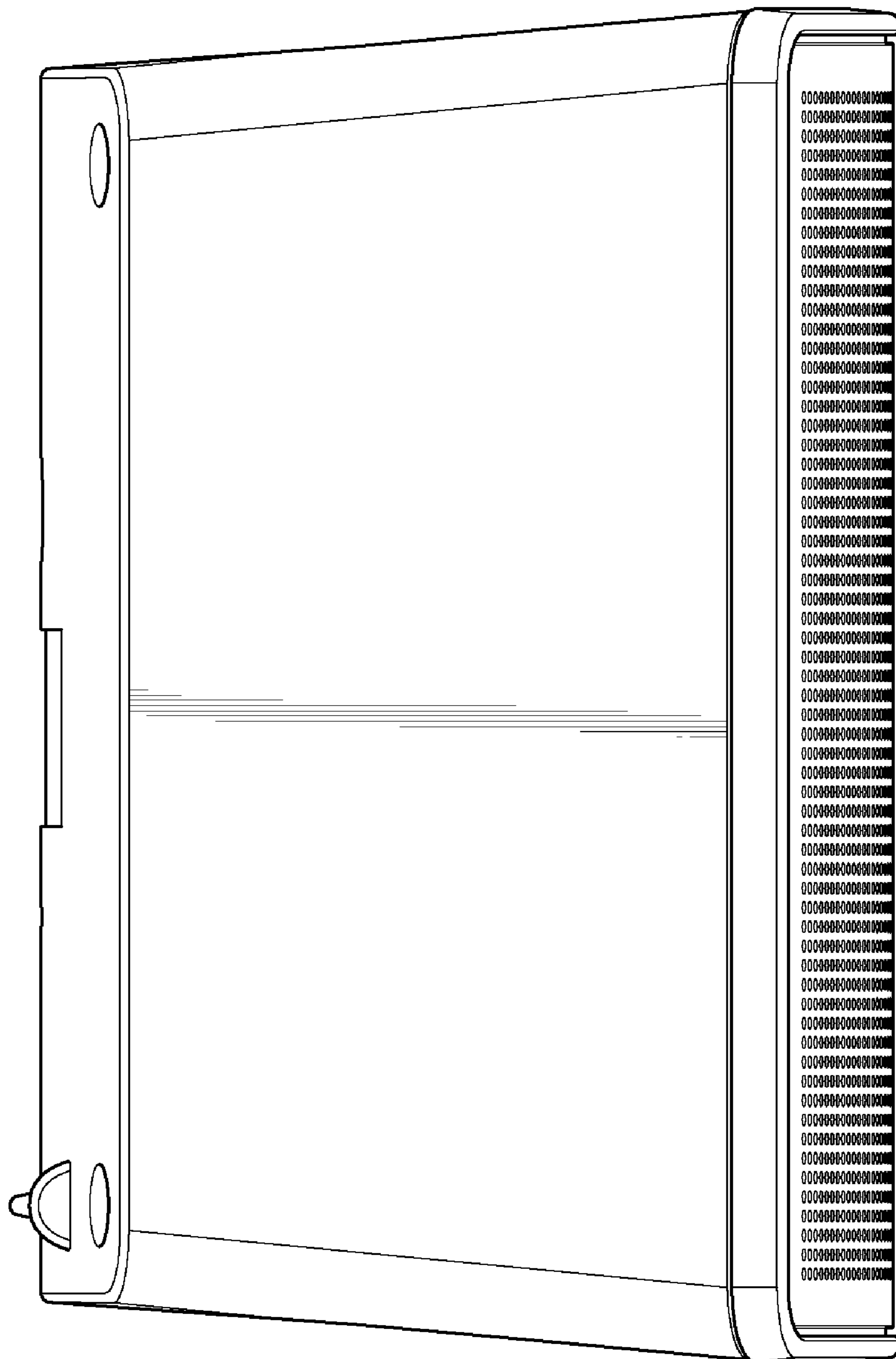


FIG.4

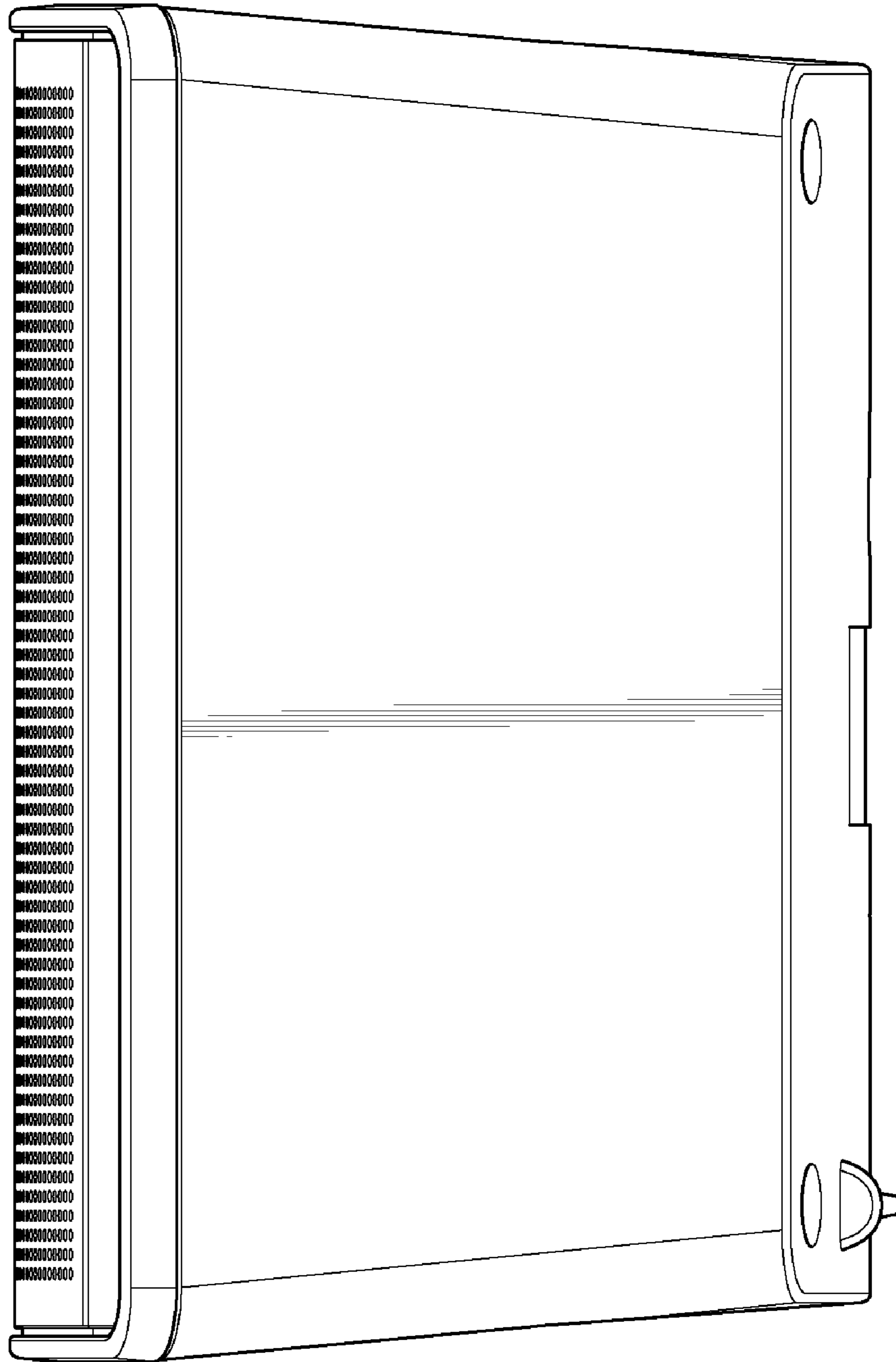


FIG.5

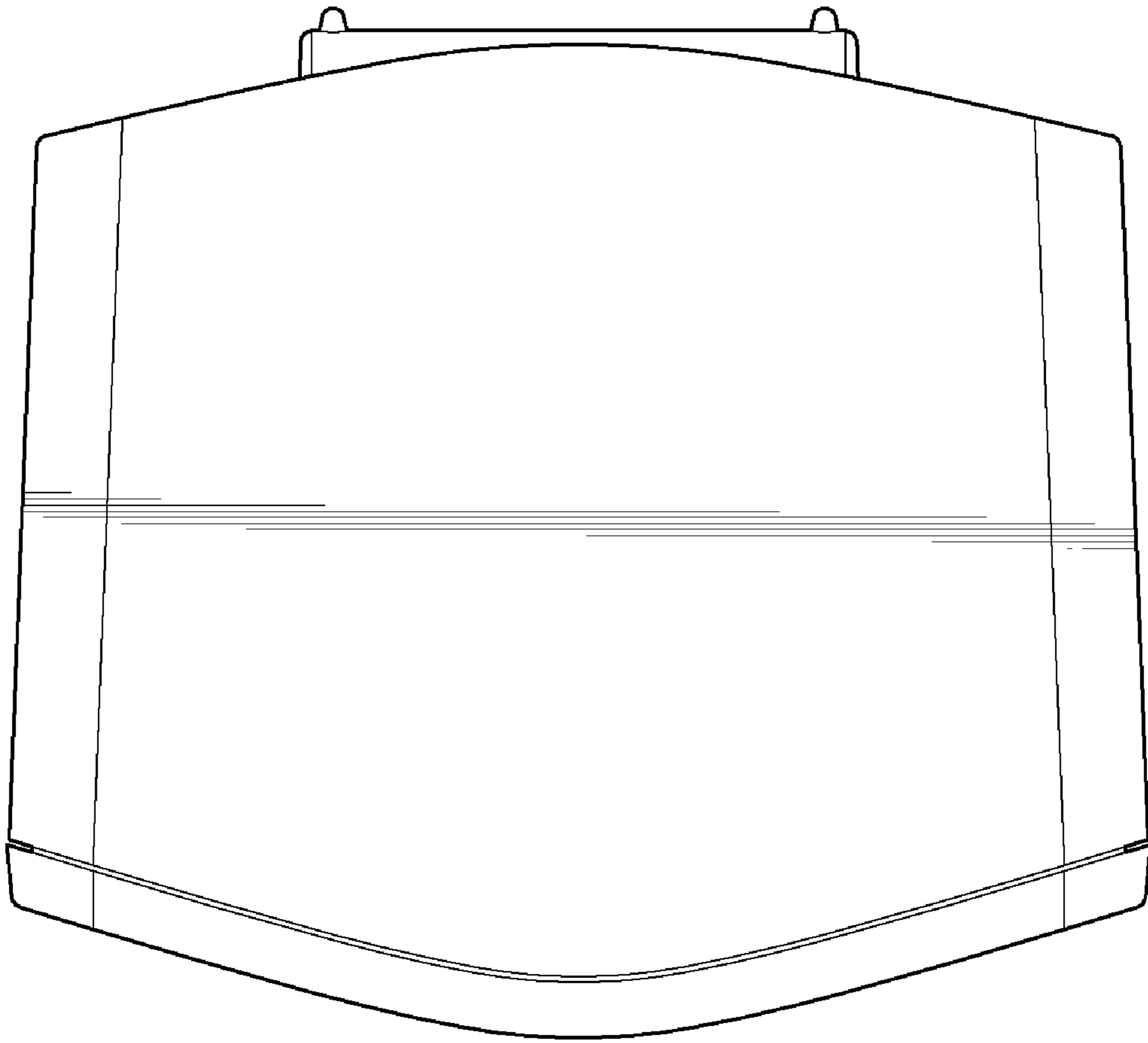


FIG.6

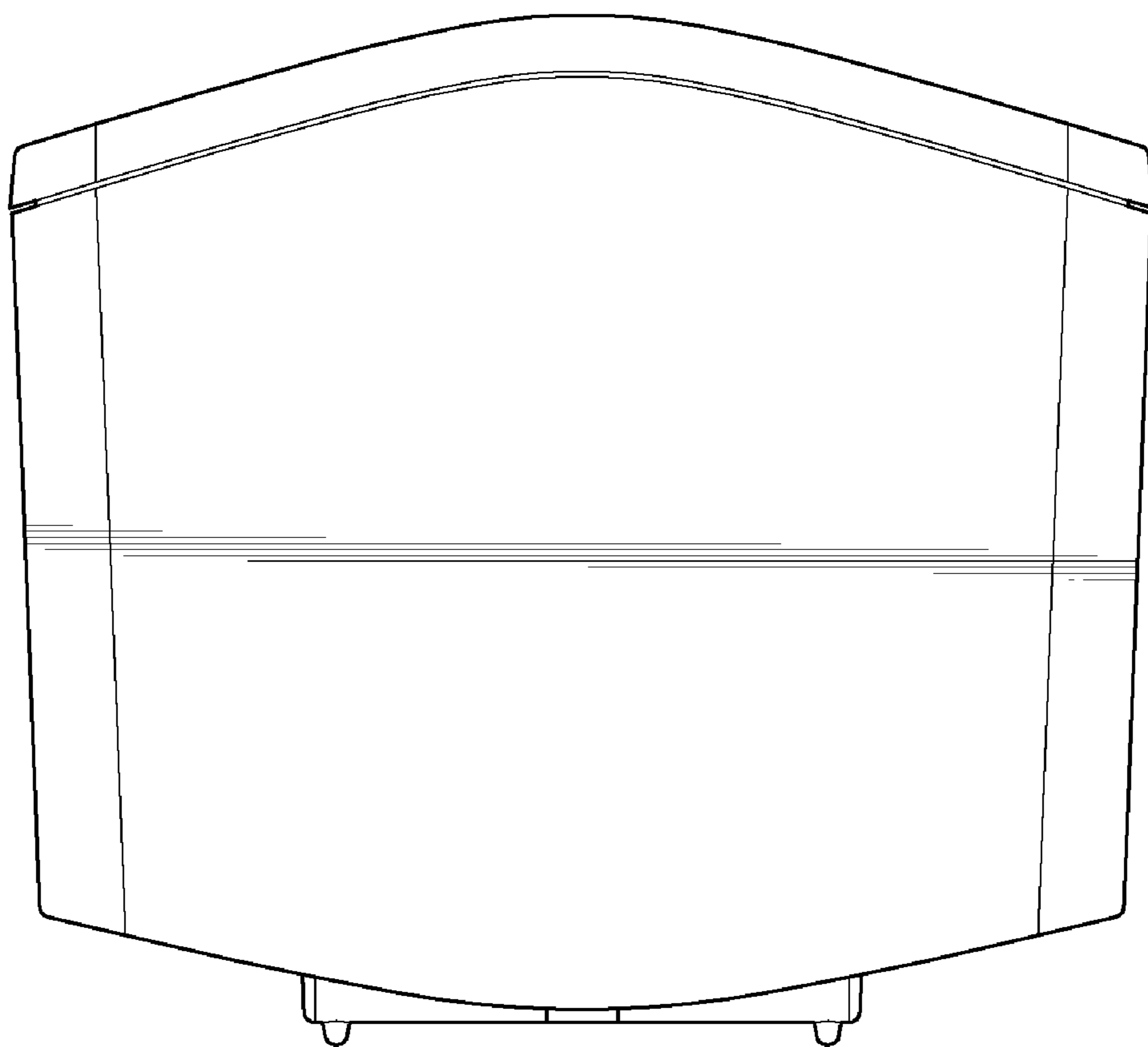


FIG.7



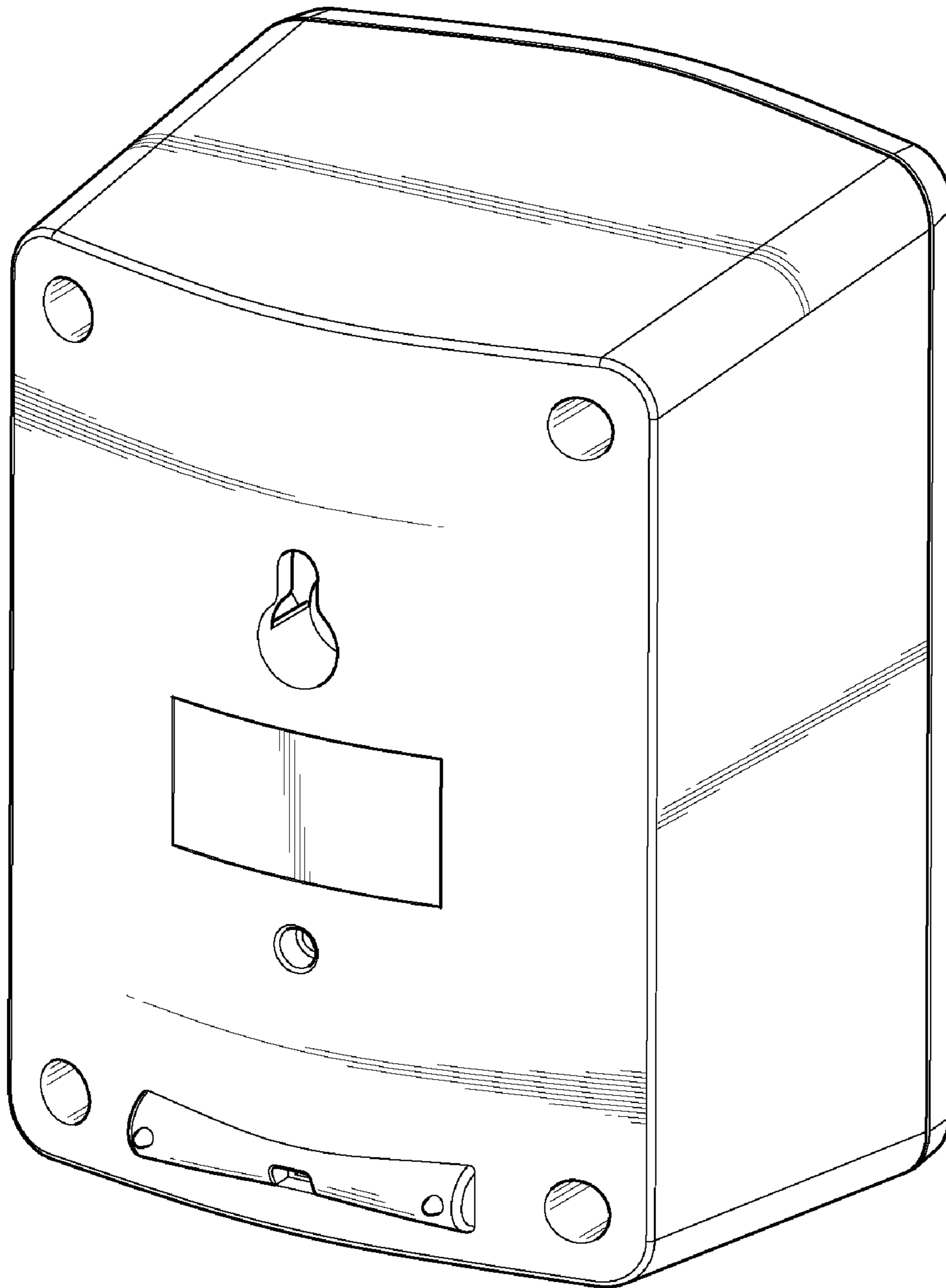


FIG.8