



US00D575268S

(12) **United States Design Patent**
Christopher et al.

(10) **Patent No.:** **US D575,268 S**

(45) **Date of Patent:** **** Aug. 19, 2008**

(54) **USER INTERFACE**

(75) Inventors: **Stephen M. Christopher**, Chicago, IL (US); **Jon Godston**, Chicago, IL (US); **Harold L. Wikel**, Muskego, WI (US); **Bradley J. Wolf**, Glenview, IL (US)

(73) Assignee: **Motorola, Inc.**, Schaumburg, IL (US)

(**) Term: **14 Years**

(21) Appl. No.: **29/250,768**

(22) Filed: **Nov. 30, 2006**

(51) **LOC (8) Cl.** **14-01**

(52) **U.S. Cl.** **D14/205**

(58) **Field of Classification Search** D14/188,
D14/192, 205, 206, 223; 181/129–130; 381/370,
381/378, 379, 380, 381, 382; 2/209; D29/112
See application file for complete search history.

(56) **References Cited**

U.S. PATENT DOCUMENTS

D319,241 S *	8/1991	Daido et al.	D14/205
6,123,168 A *	9/2000	Berg et al.	181/129
6,138,790 A *	10/2000	Leight	181/130
6,603,863 B1 *	8/2003	Nagayoshi	381/380
D525,235 S *	7/2006	Koizumi	D14/205

D533,539 S * 12/2006 Mah D14/205

* cited by examiner

Primary Examiner—Paula A Greene

(74) *Attorney, Agent, or Firm*—David S. Noskowicz

(57) **CLAIM**

The ornamental design for a user interface, as shown and described.

DESCRIPTION

FIG. 1 is a perspective view of a user interface showing our design;

FIG. 2 is a front elevation view thereof;

FIG. 3 is a rear elevation view thereof;

FIG. 4 is a first side elevation view thereof;

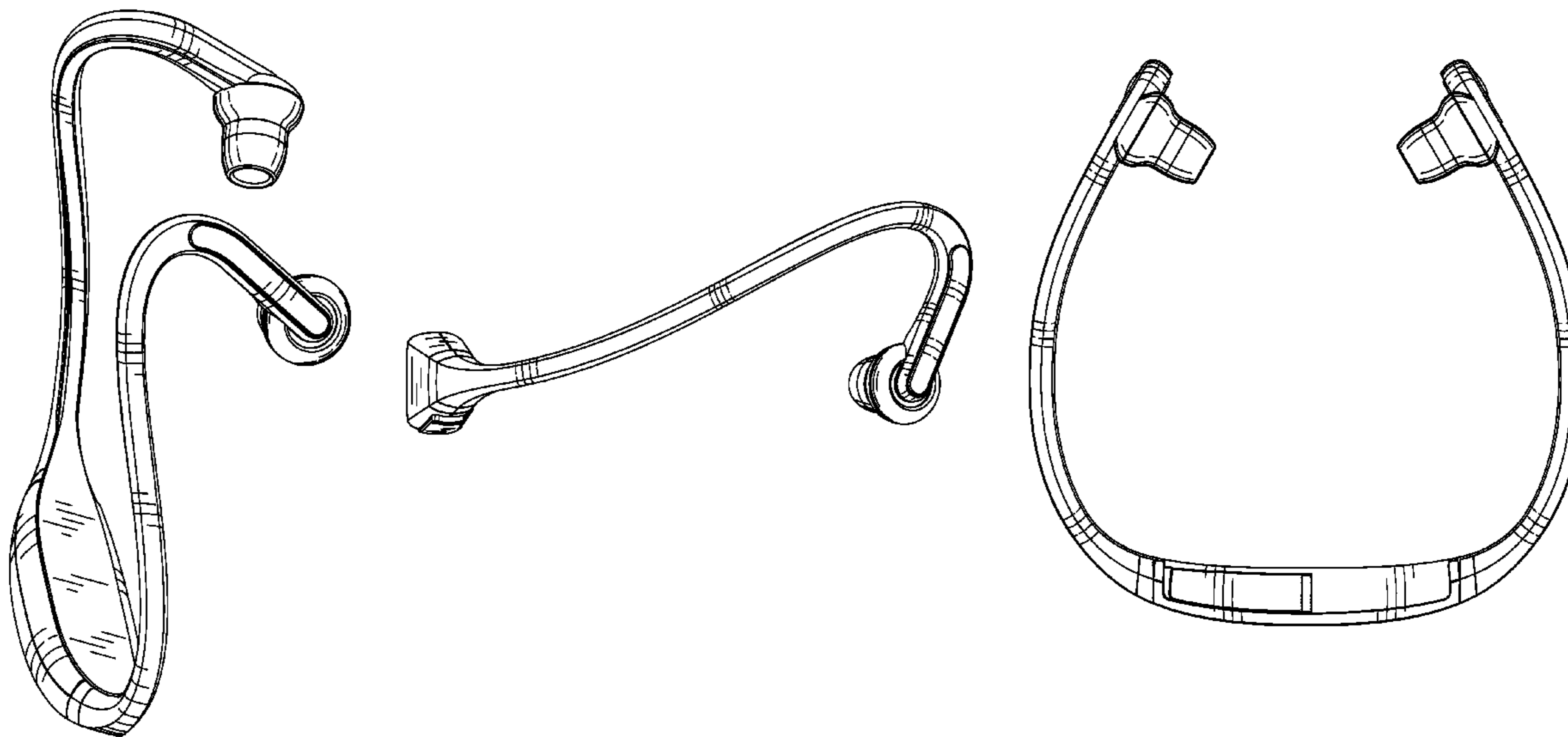
FIG. 5 is an opposite side elevation view;

FIG. 6 is a top view thereof; and,

FIG. 7 is a bottom view thereof.

The broken lines shown in FIG. 3 that are immediately adjacent to the shaded areas represent the bound of the claimed design, while all other broken lines are directed to environment and are for illustrative purposes only; the broken lines form no part of the claim design.

1 Claim, 5 Drawing Sheets



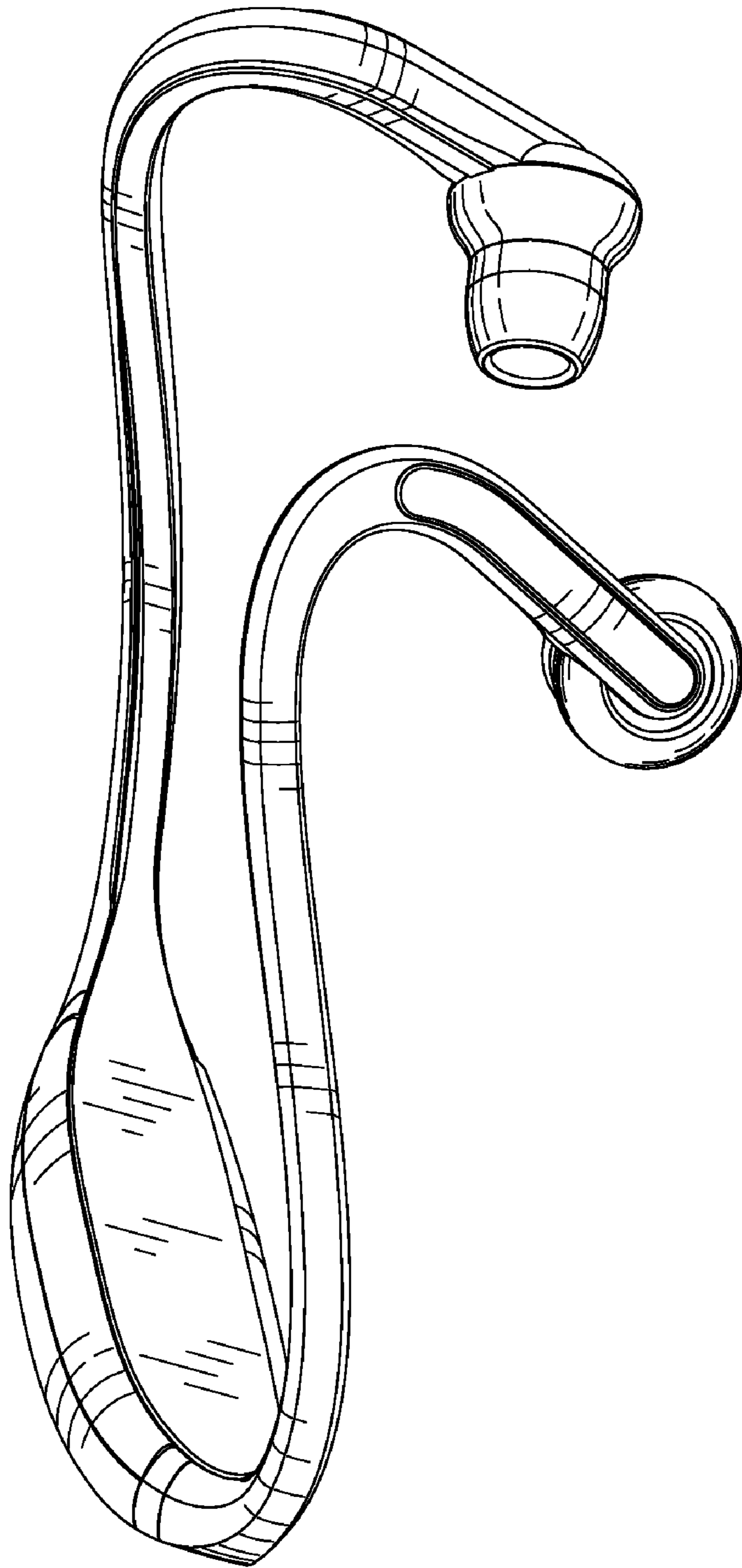


FIG. 1

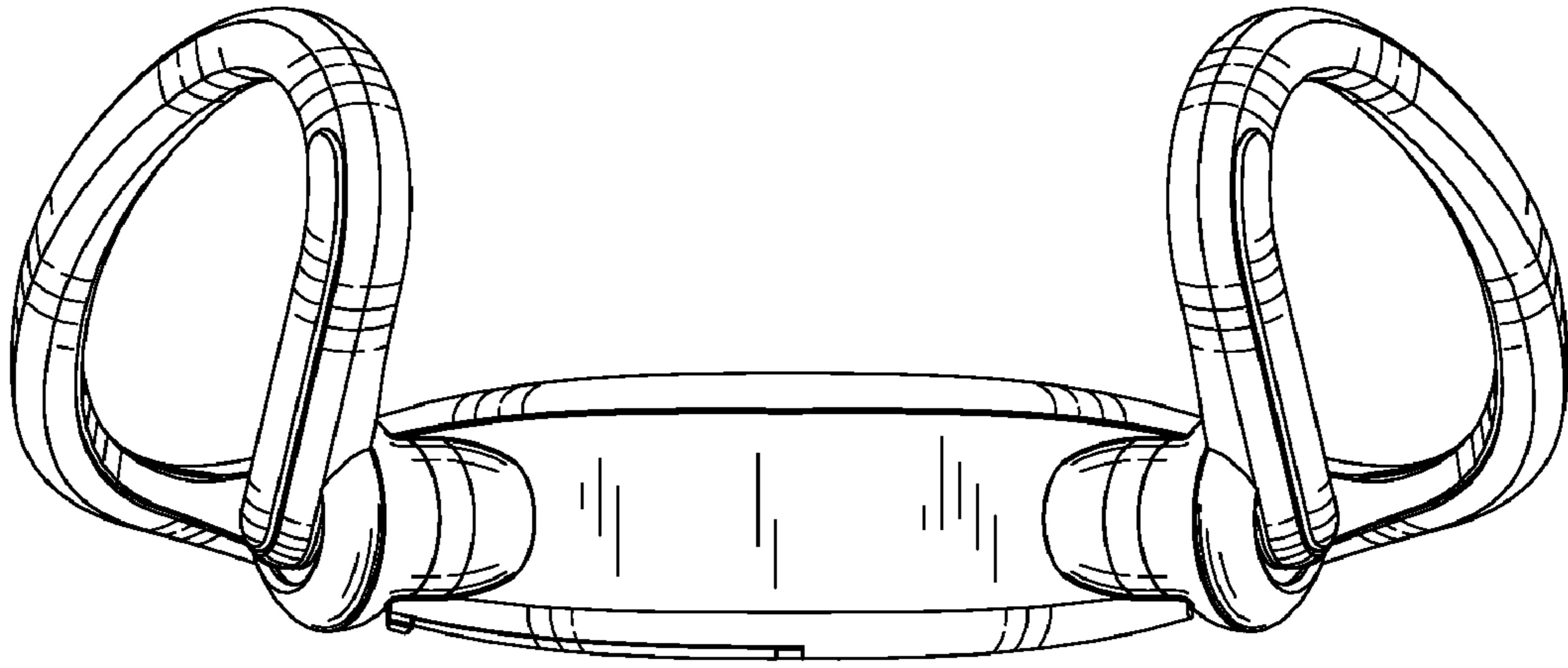


FIG. 2

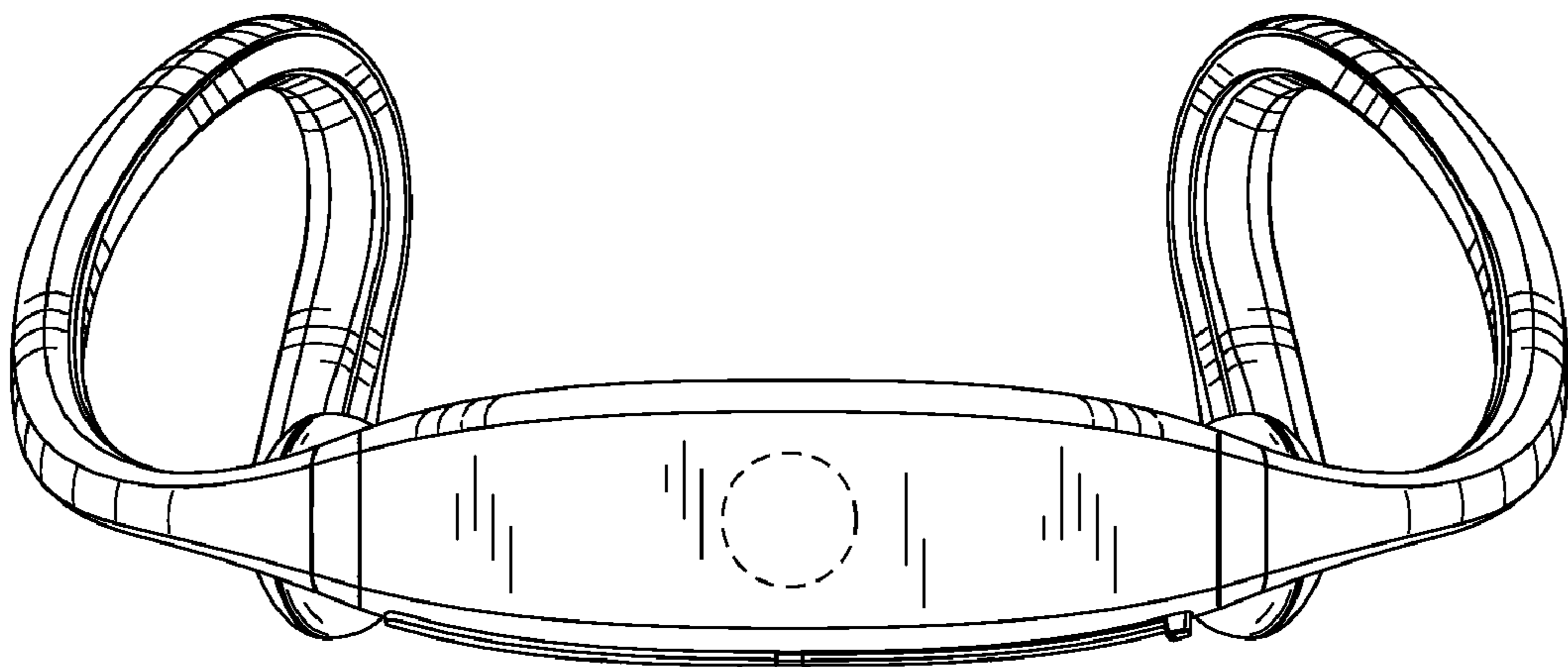


FIG. 3

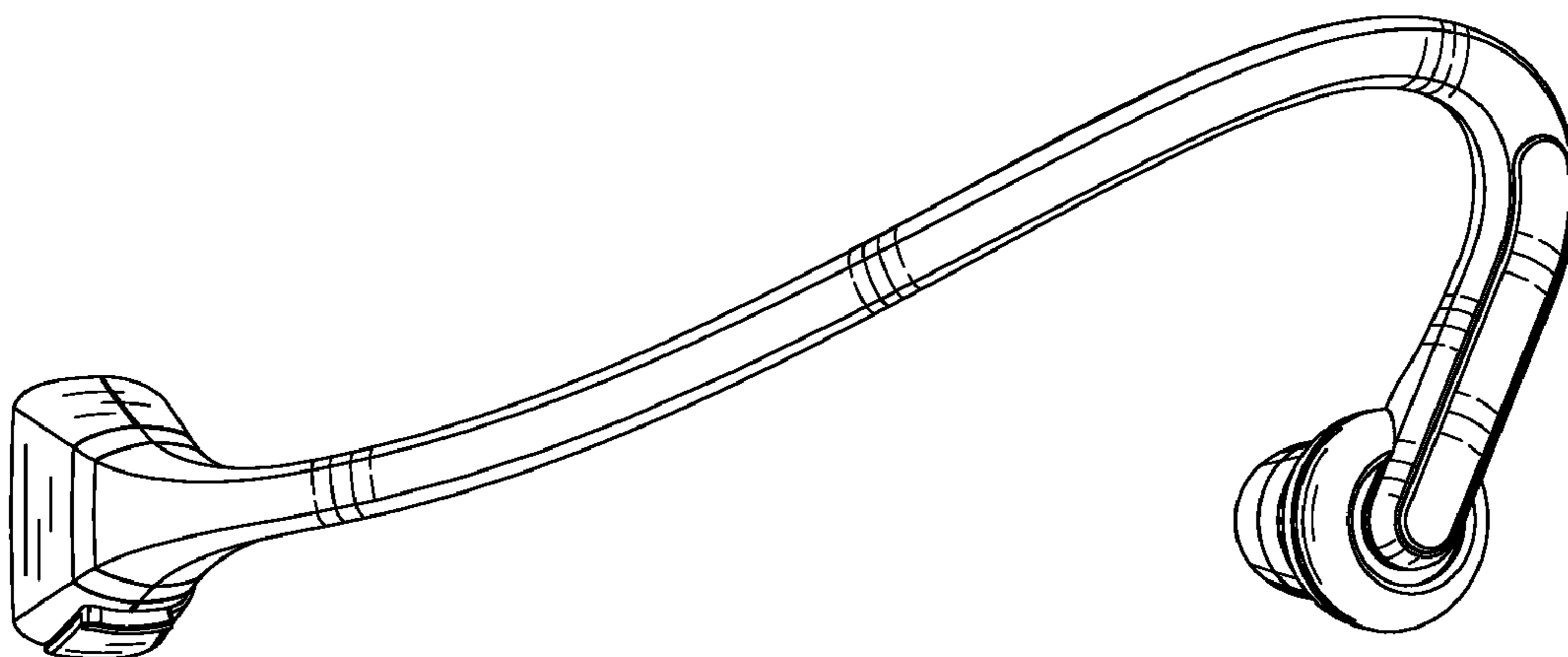


FIG. 4

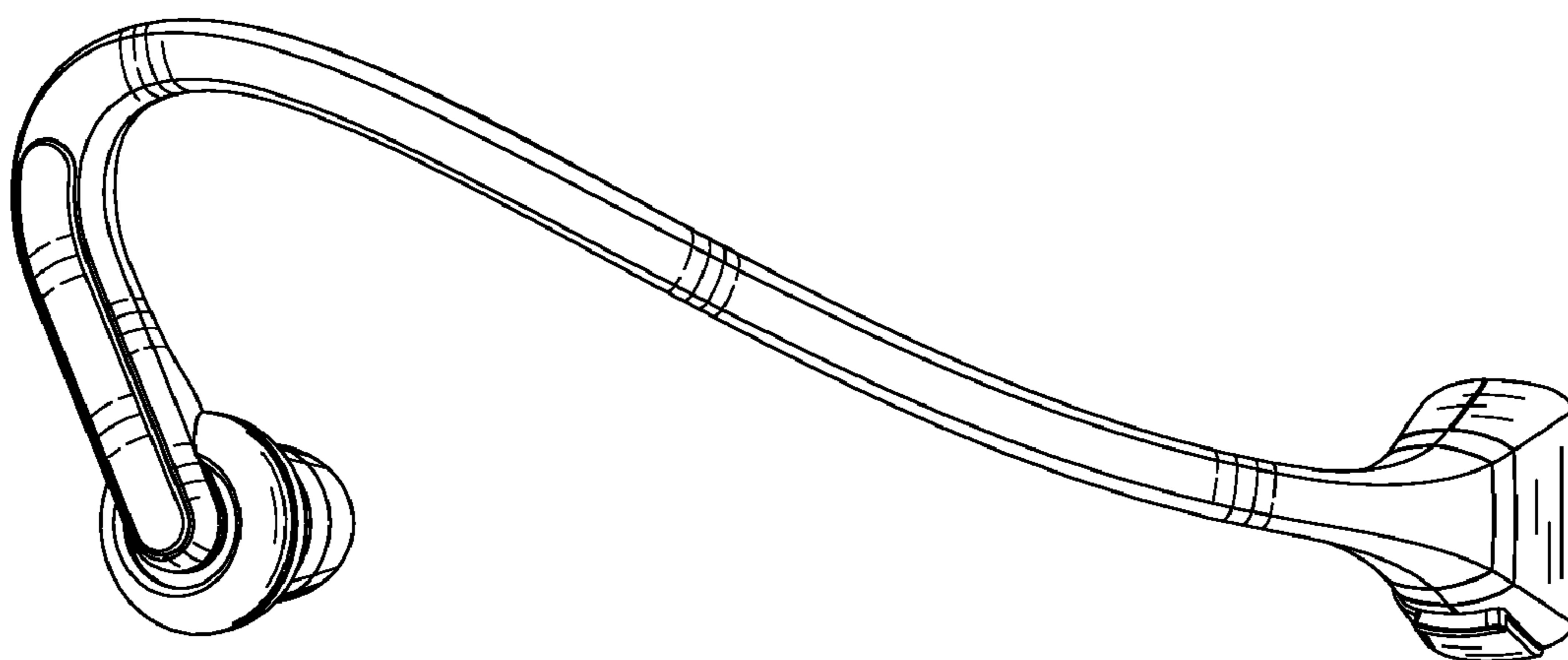


FIG. 5

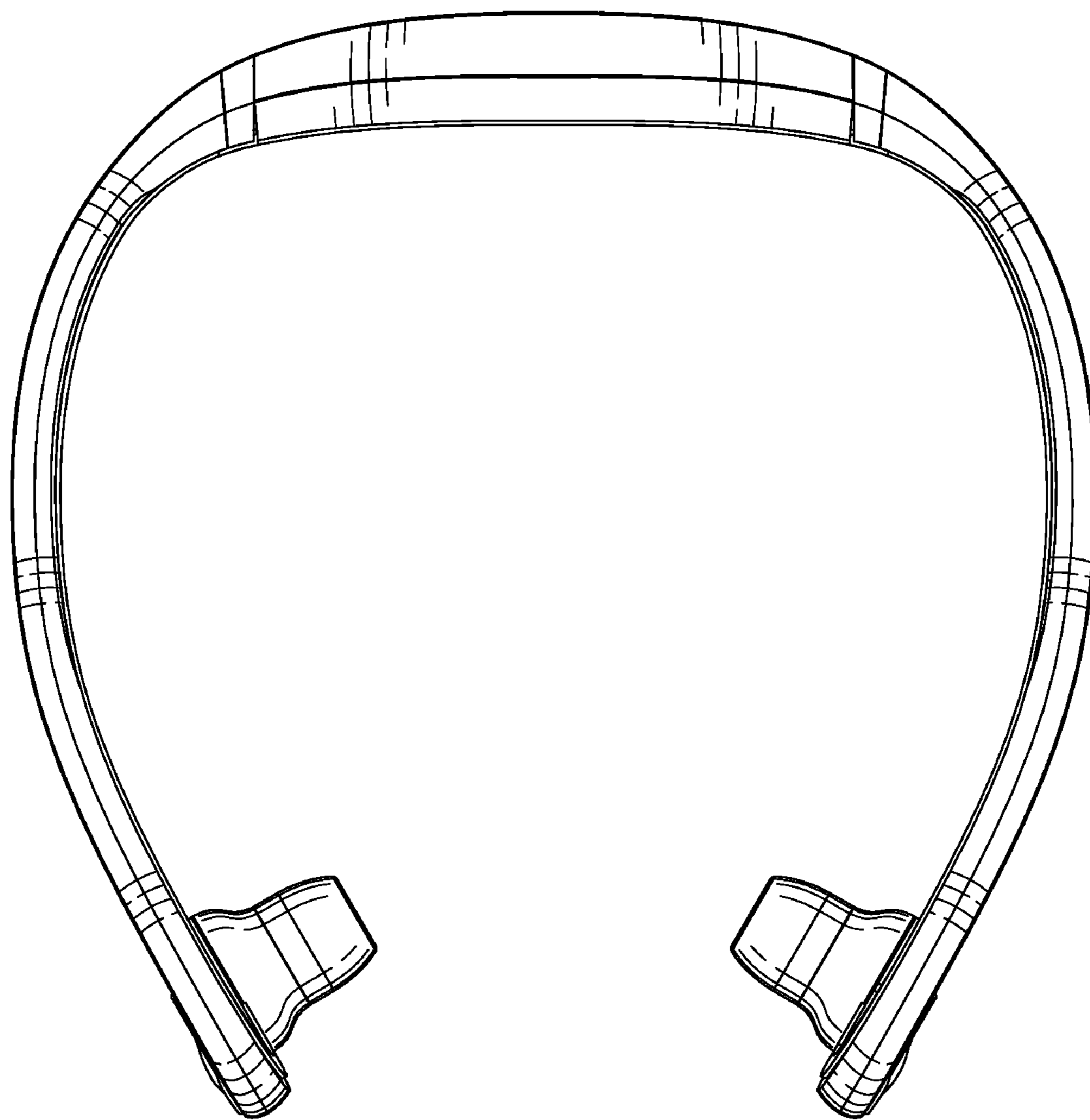


FIG. 6

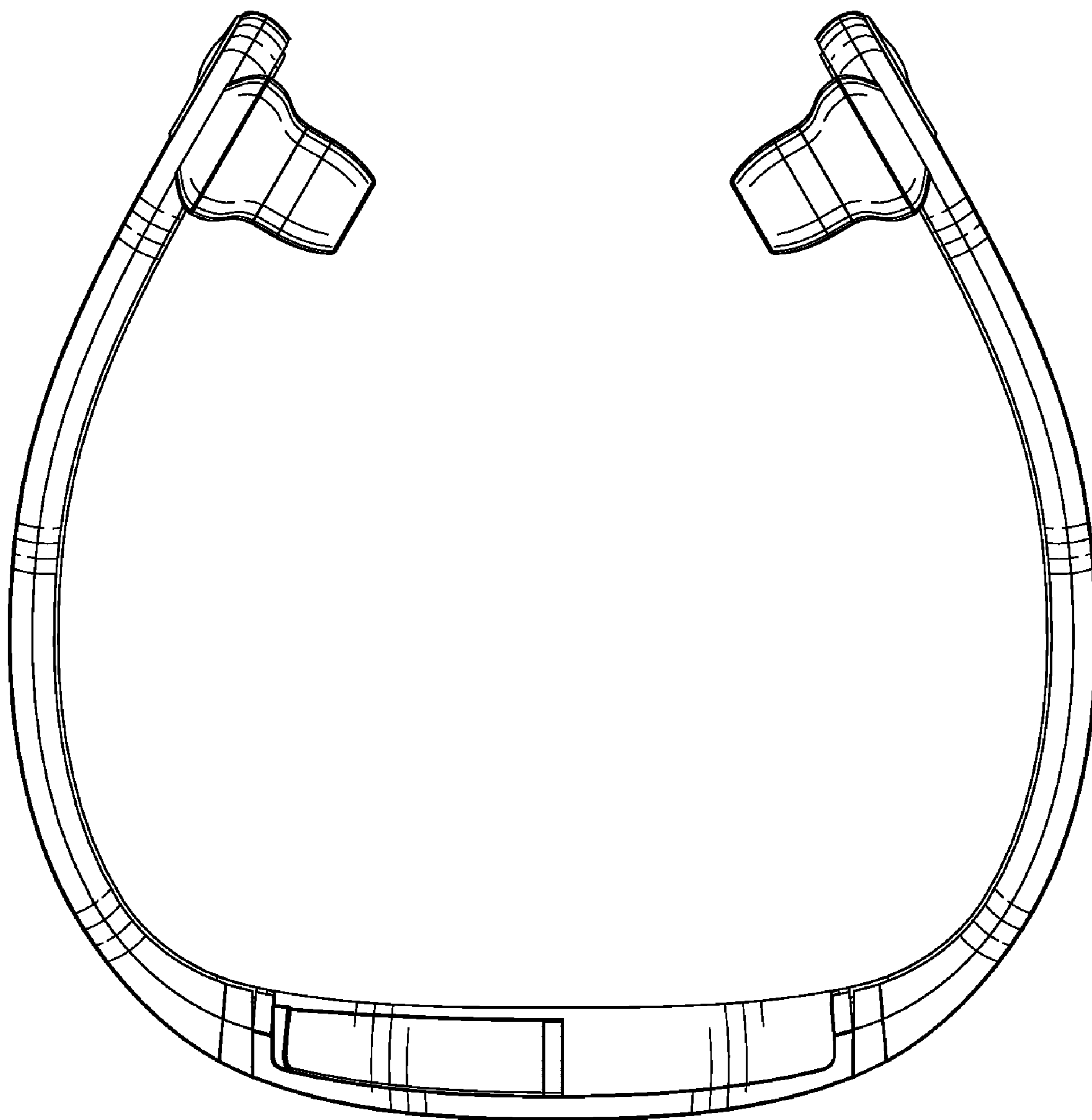


FIG. 7