



US00D575267S

(12) **United States Design Patent**  
**Potter**

(10) **Patent No.:** **US D575,267 S**

(45) **Date of Patent:** **\*\* Aug. 19, 2008**

(54) **AUDIO COMPONENT CABINET**

(76) Inventor: **Douglas Potter**, 1237 Bramlett Forest Ct., Lawrenceville, GA (US) 30045

(\*\*) Term: **14 Years**

(21) Appl. No.: **29/271,075**

(22) Filed: **Jan. 9, 2007**

(51) **LOC (8) Cl.** ..... **14-01**

(52) **U.S. Cl.** ..... **D14/204; D14/207**

(58) **Field of Classification Search** ..... D14/204, D14/207, 209–217; 181/143–144, 147–148, 181/150, 157, 198–199, 151, 153; 381/300–302, 381/306, 333, 345, 361–364, 386–388, 332, 381/336

See application file for complete search history.

(56) **References Cited**

**U.S. PATENT DOCUMENTS**

D432,115 S \* 10/2000 Juskiewicz et al. .... D14/214  
6,625,289 B1 \* 9/2003 Oliemuller ..... 381/182  
D497,154 S \* 10/2004 Lin et al. .... D14/204

\* cited by examiner

*Primary Examiner*—Nanda Bondade

(74) *Attorney, Agent, or Firm*—Myers & Kaplan, LLC; Sandra M. Drummond

(57) **CLAIM**

The ornamental design for an audio component cabinet, as shown and described.

**DESCRIPTION**

The present invention relates generally to audio component cabinet devices, and, more specifically, to a wakeboard tower speaker enclosure design.

FIG. 1 is a front perspective view of an audio component cabinet showing my new design;

FIG. 2 is a rear perspective view thereof;

FIG. 3 is a top view thereof;

FIG. 4 is a front view thereof;

FIG. 5 is a bottom view thereof;

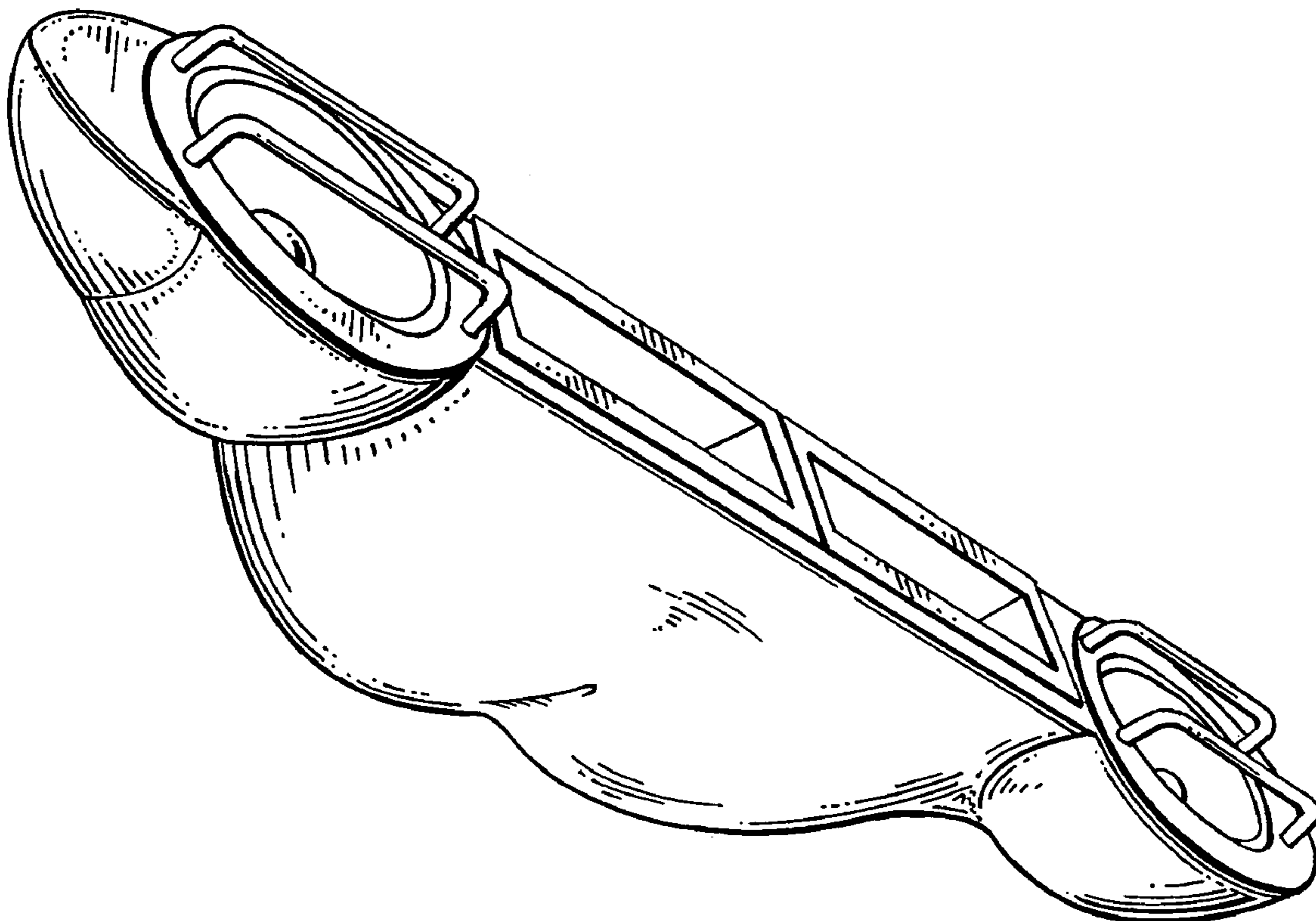
FIG. 6 is a rear view thereof;

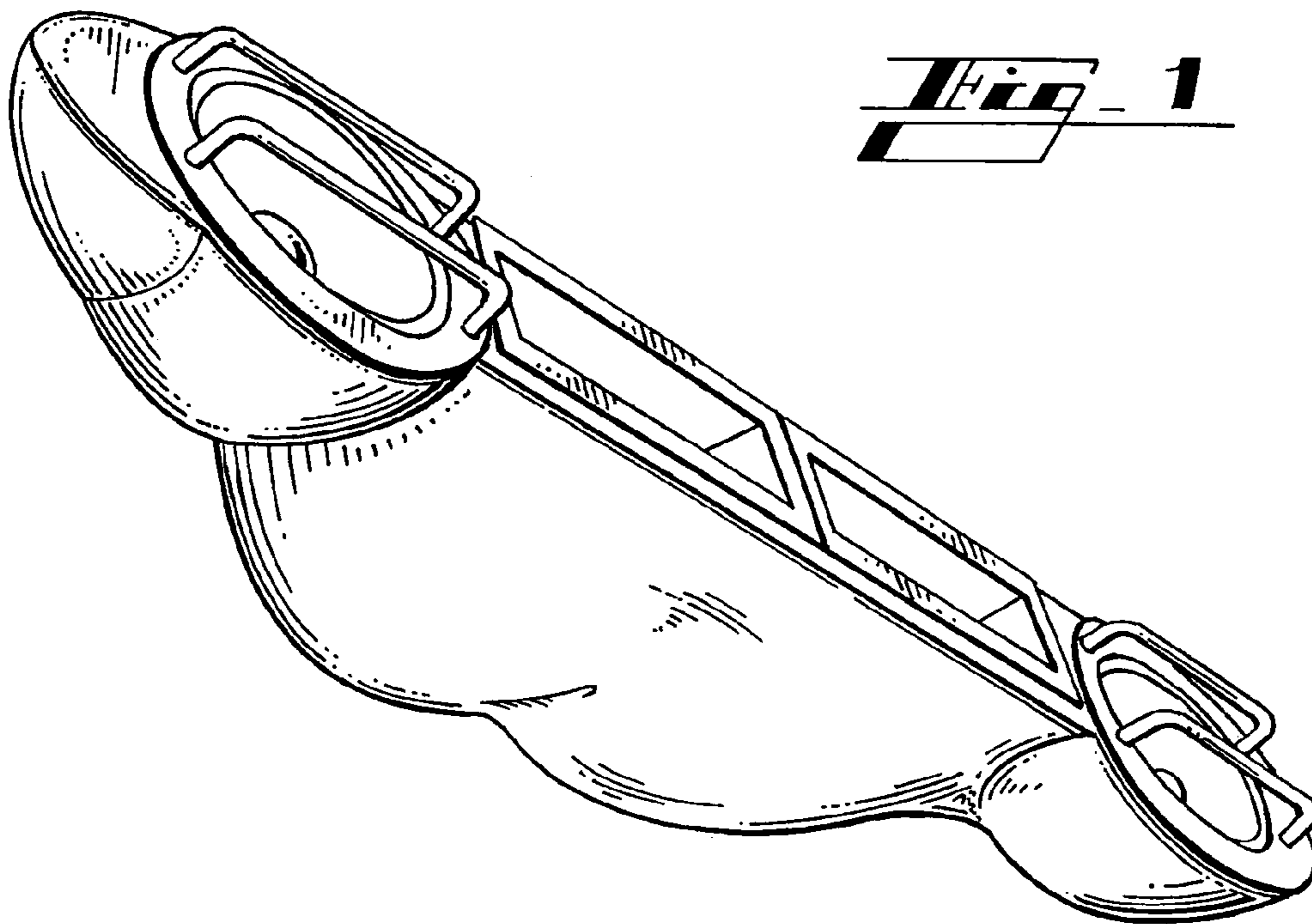
FIG. 7 is a left side view thereof; and,

FIG. 8 is a right side view thereof.

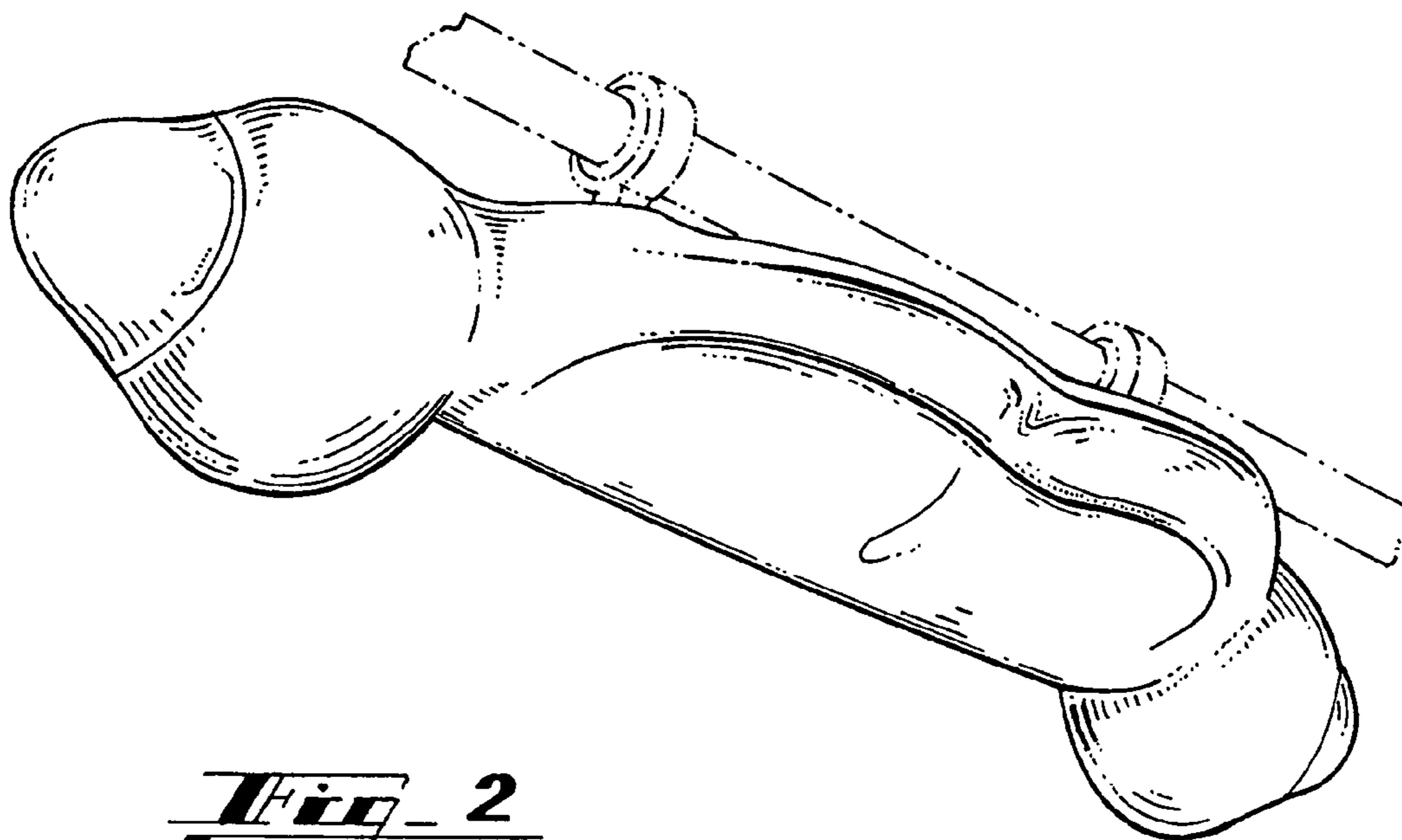
The broken line showing an optional overhead tubular mount configuration on FIG. 2 is for illustrative purposes only and forms no part of the claimed design.

**1 Claim, 4 Drawing Sheets**

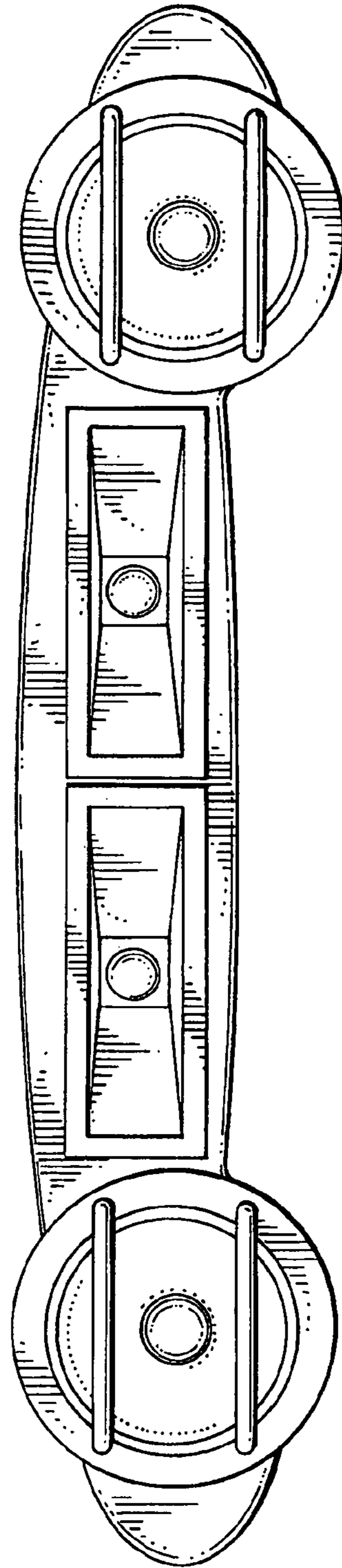
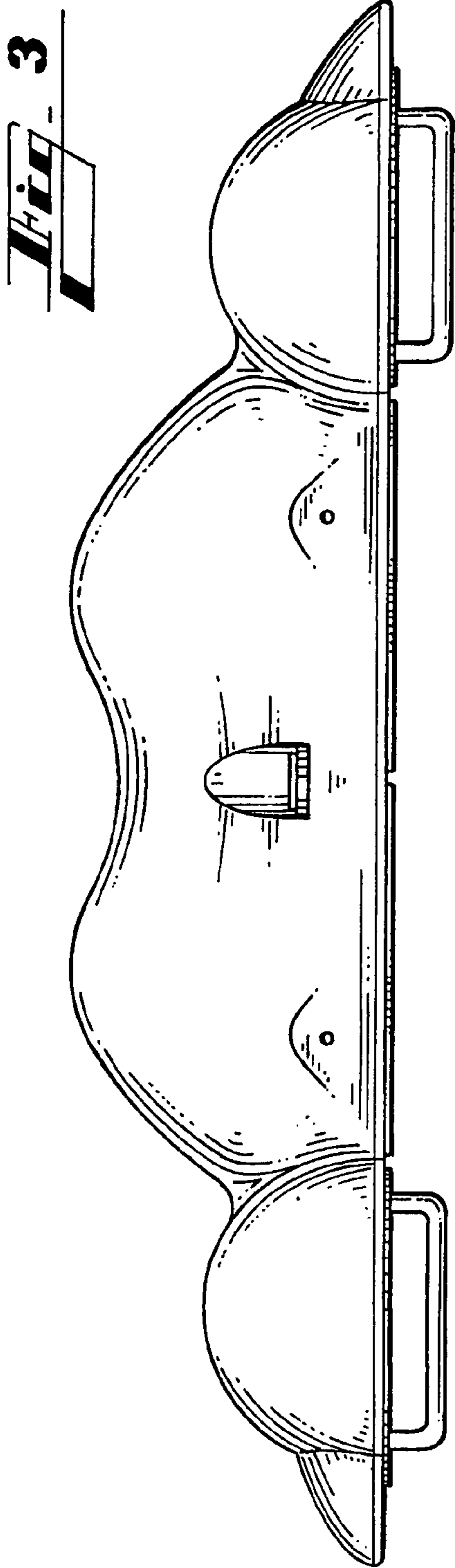




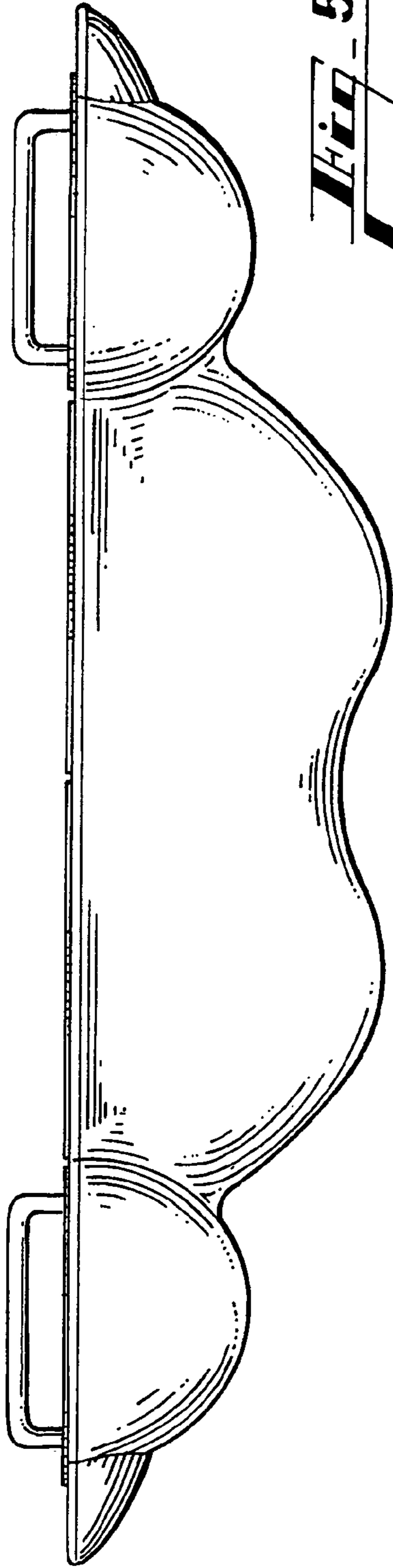
**Fig. 1**



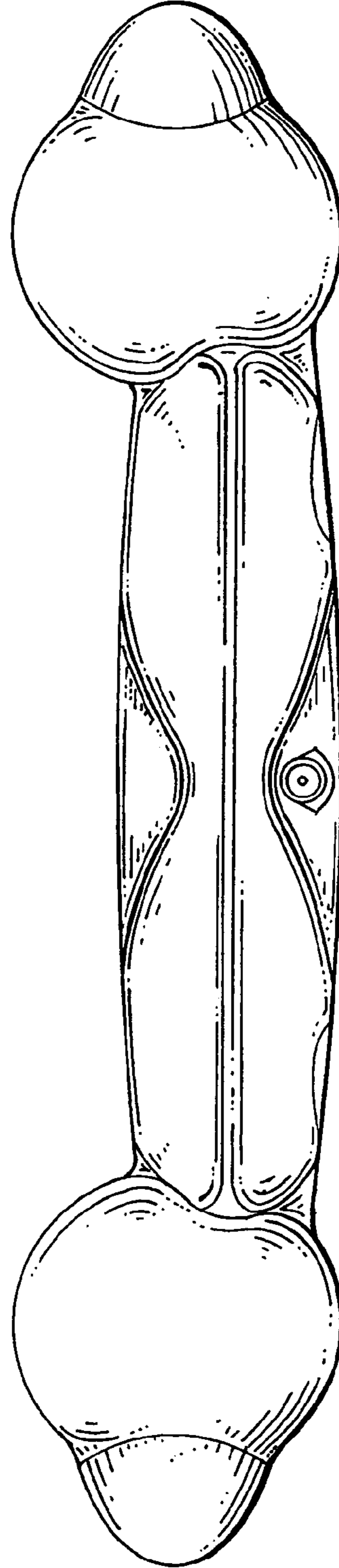
**Fig. 2**



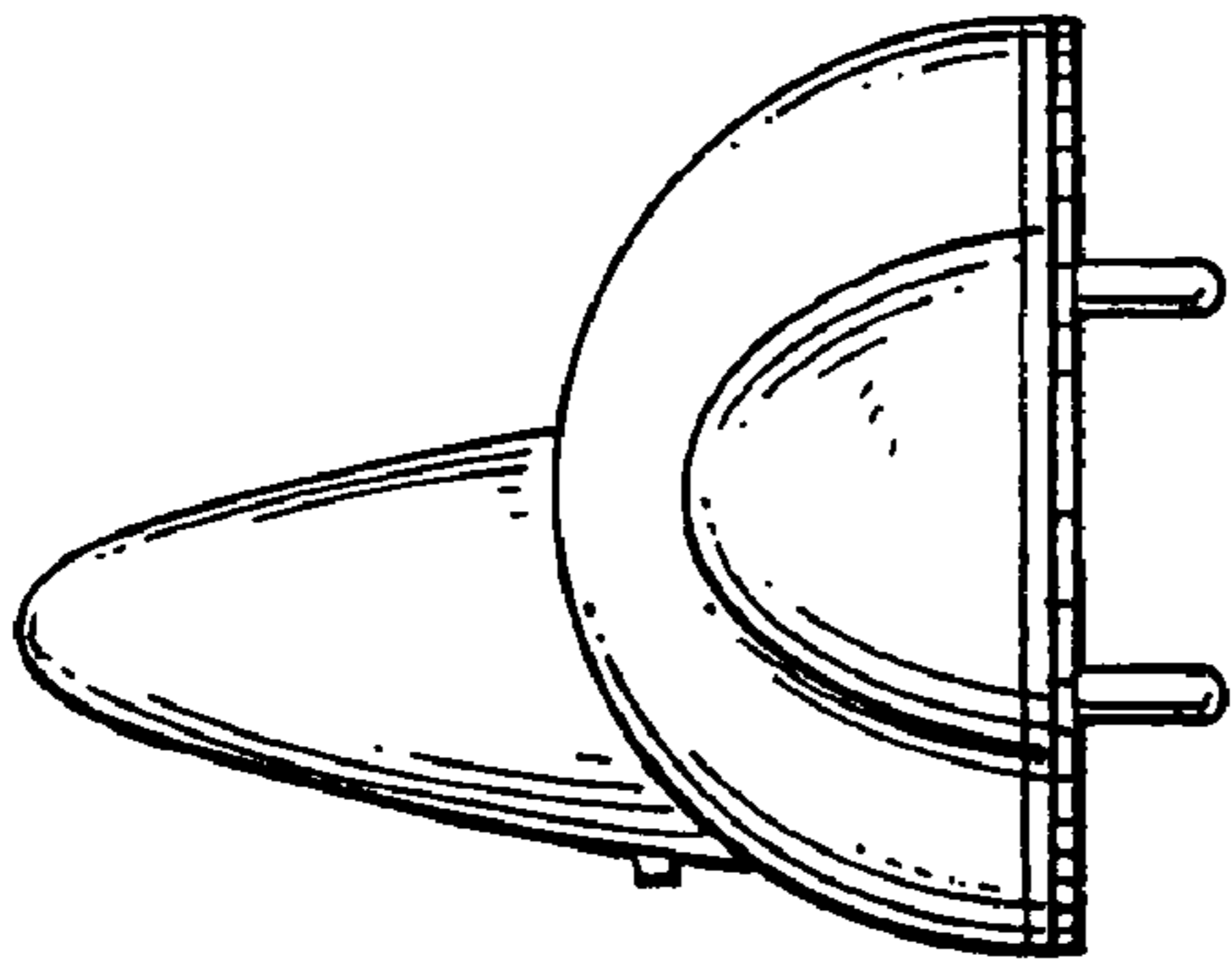




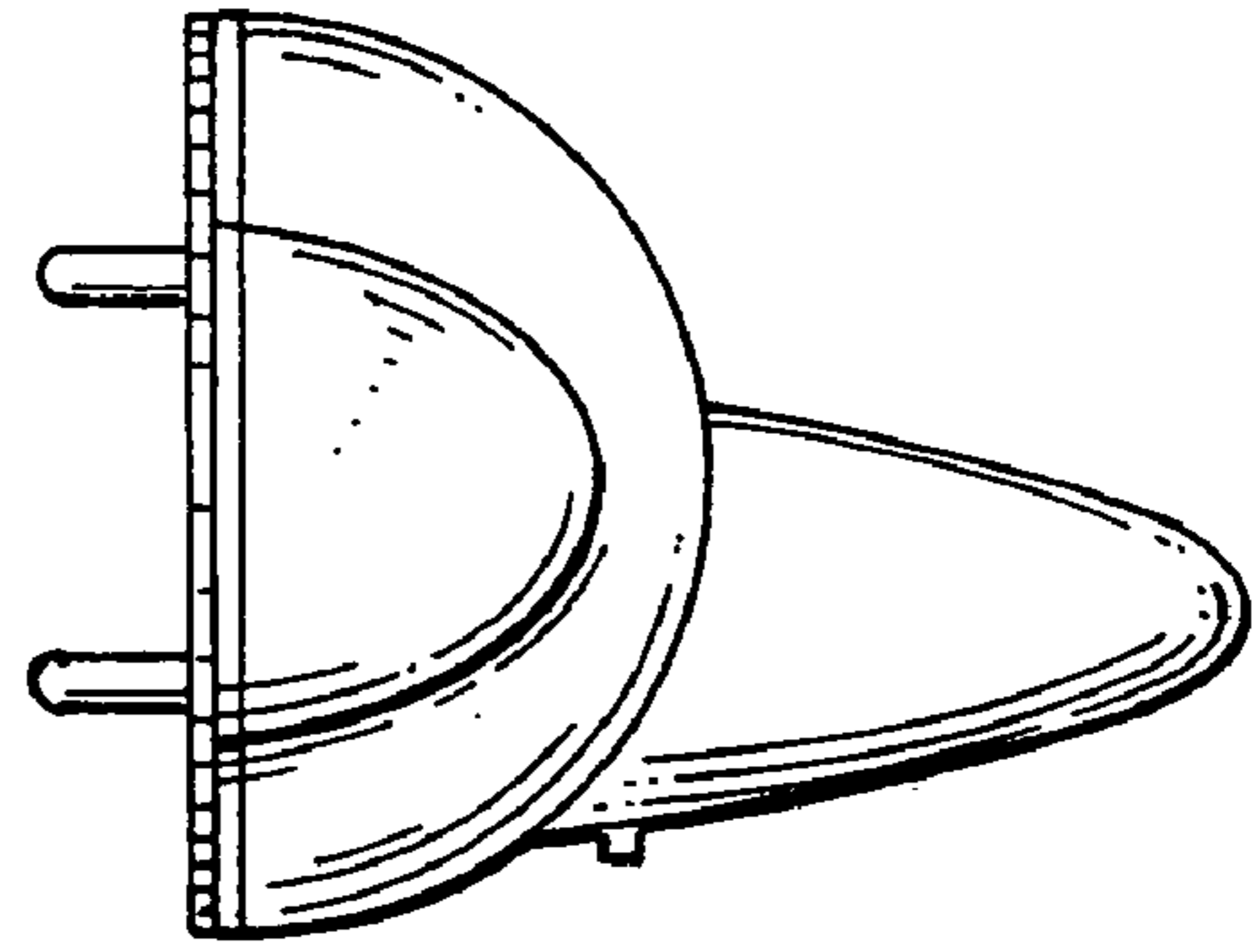
**Fig. 5**



**Fig. 6**



**Fig. 7**



**Fig. 8**