



US00D575265S

(12) **United States Design Patent**
Poon

(10) **Patent No.:** **US D575,265 S**

(45) **Date of Patent:** **** Aug. 19, 2008**

(54) **PORTABLE RECHARGEABLE RADIO TORCH**

D505,128 S * 5/2005 Lam D26/52

(75) Inventor: **Tit Wing Poon**, Fo Tan (HK)

* cited by examiner

(73) Assignee: **Flying Dragon Development Limited**,
New Territories (HK)

Primary Examiner—Nanda Bondade
(74) *Attorney, Agent, or Firm*—Intellectual Property Law
Group LLP; Otto O. Lee; Juneko Jackson

(**) Term: **14 Years**

(57) **CLAIM**

(21) Appl. No.: **29/276,754**

The ornamental design for a portable rechargeable radio torch, as shown and described.

(22) Filed: **Feb. 2, 2007**

(51) **LOC (8) Cl.** **14-01**

(52) **U.S. Cl.** **D14/168; D26/52**

(58) **Field of Classification Search** D14/168,
D14/170–171, 188, 193–198; D26/38, 52;
455/344, 347, 350–351; 362/157–158, 183–208
See application file for complete search history.

DESCRIPTION

FIG. 1 is a perspective view of a portable rechargeable radio torch embodying my new design;

FIG. 2 is a right side elevational view thereof;

FIG. 3 is a left side elevational view thereof;

FIG. 4 is a front elevational view thereof;

FIG. 5 is a rear elevational view thereof;

FIG. 6 is a top plan view thereof; and,

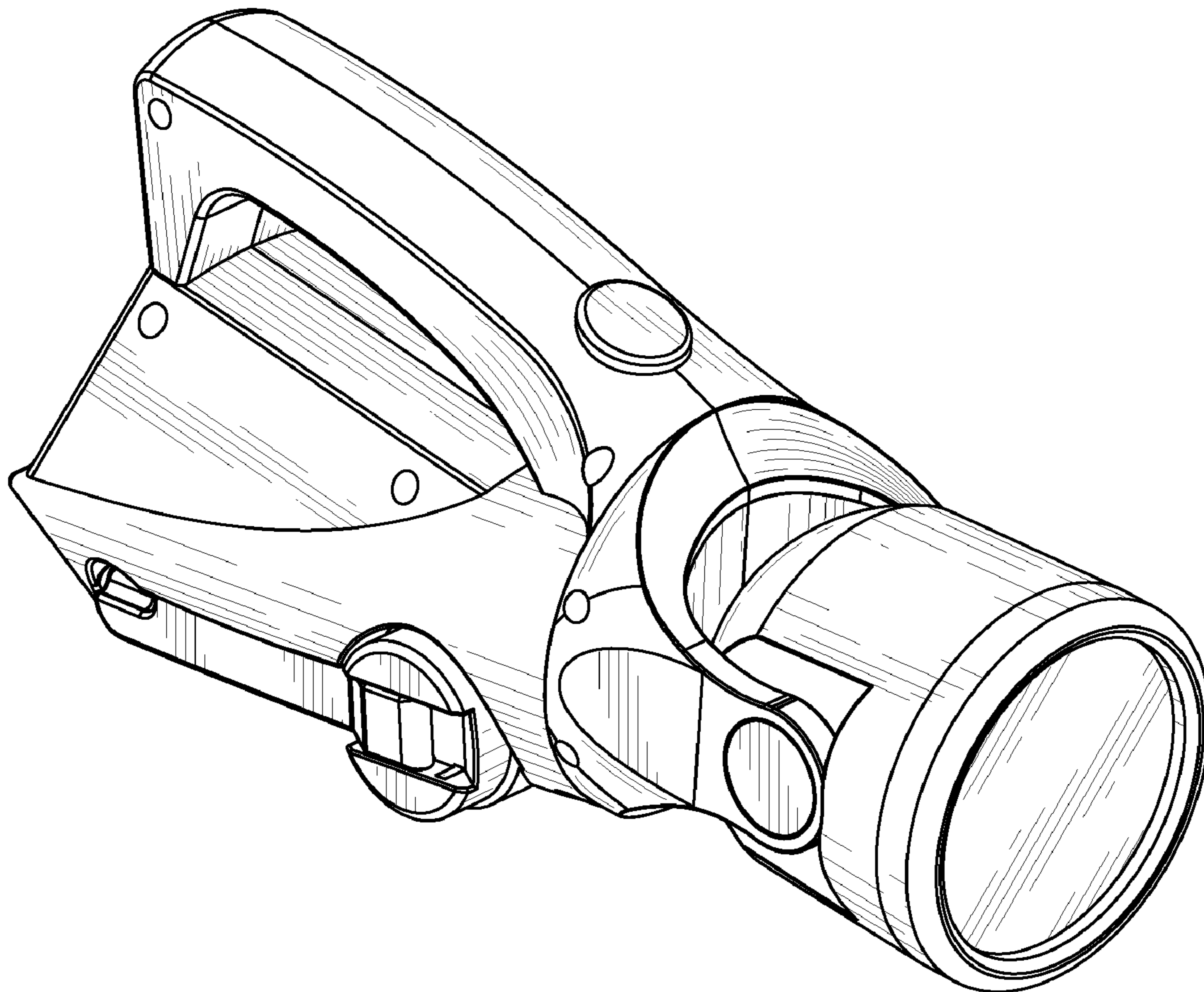
FIG. 7 is a bottom plan view thereof.

(56) **References Cited**

U.S. PATENT DOCUMENTS

D378,818 S * 4/1997 Yuen D14/168
D390,229 S * 2/1998 Lee D26/38
D504,411 S * 4/2005 Lam D14/168

1 Claim, 3 Drawing Sheets



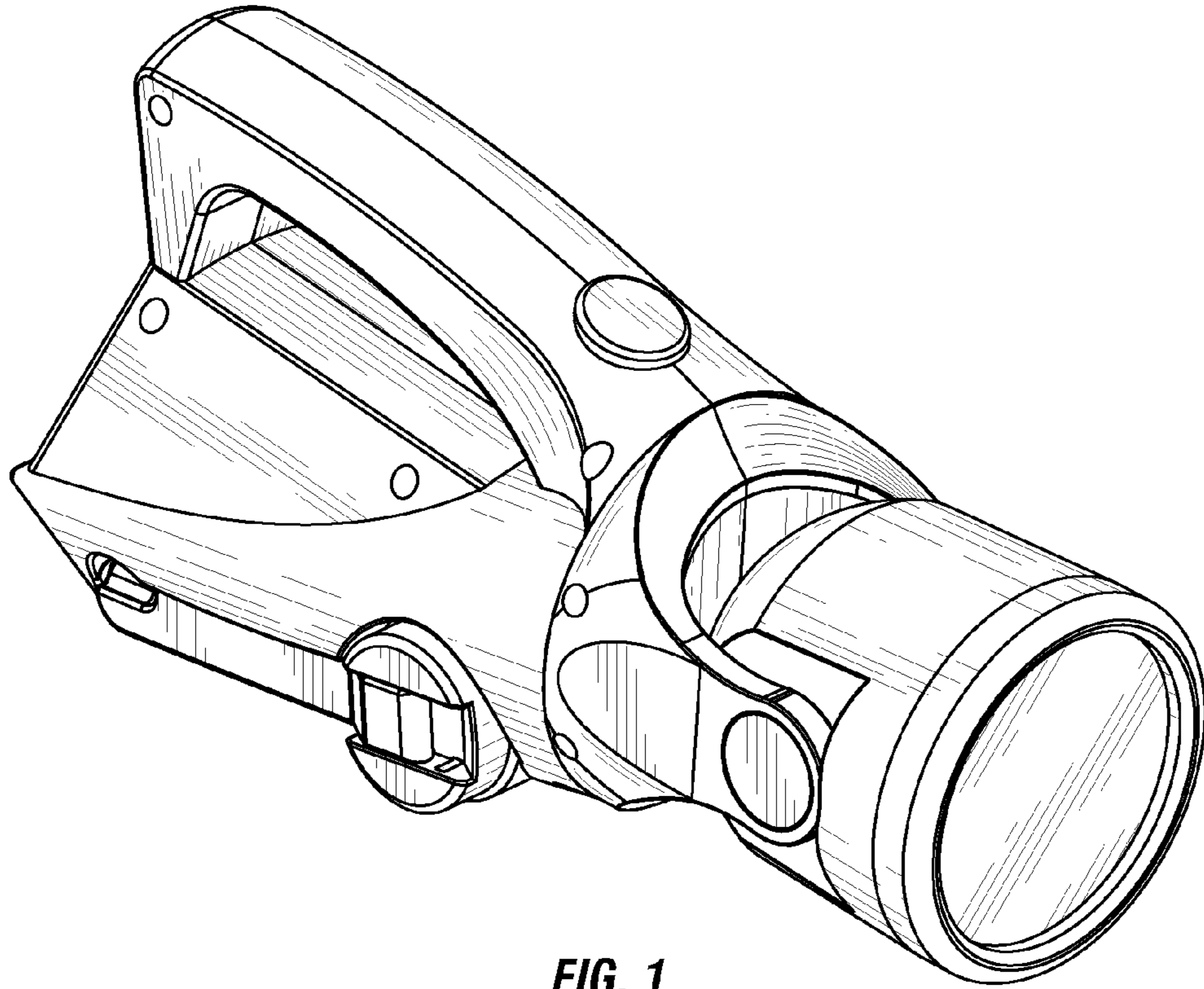


FIG. 1

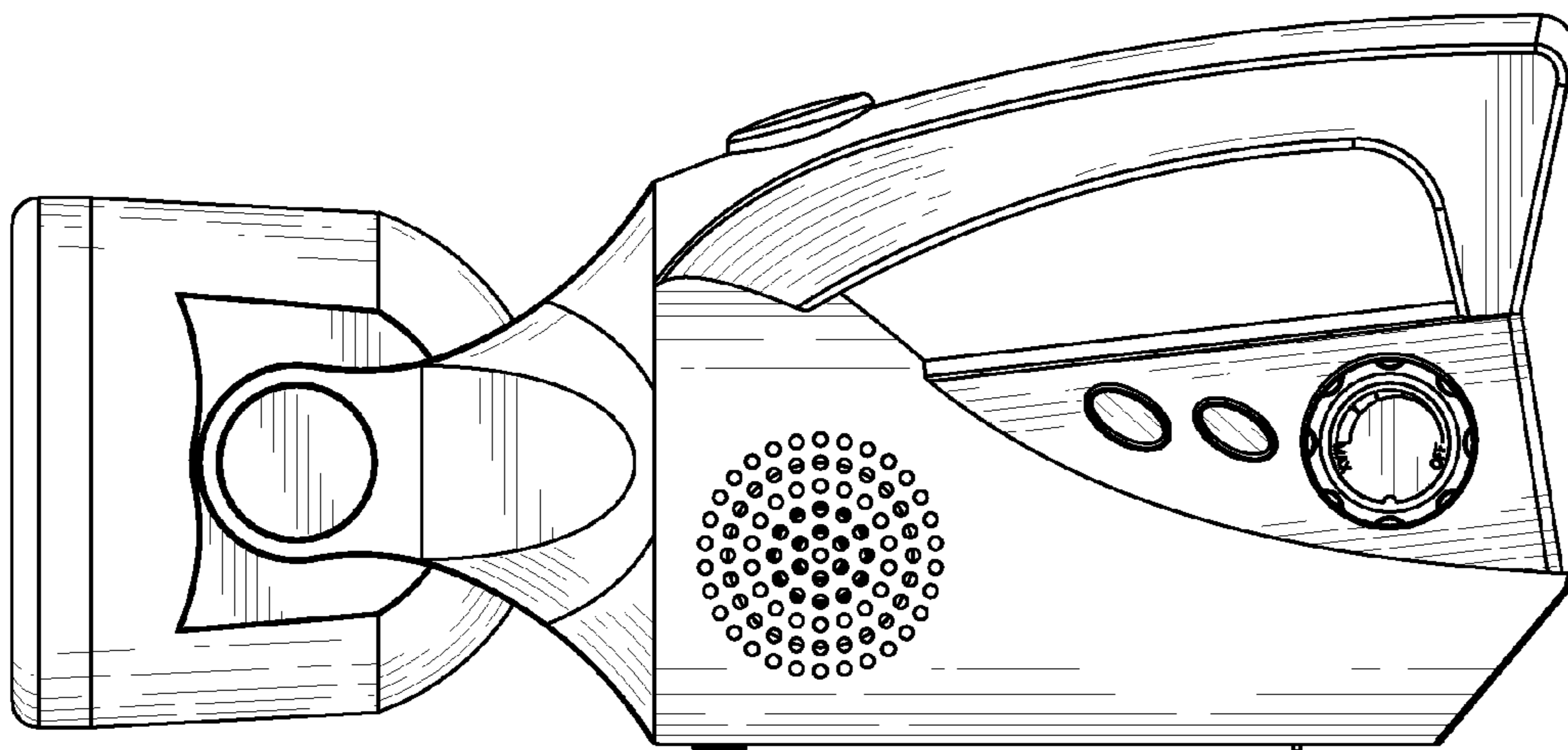


FIG. 2

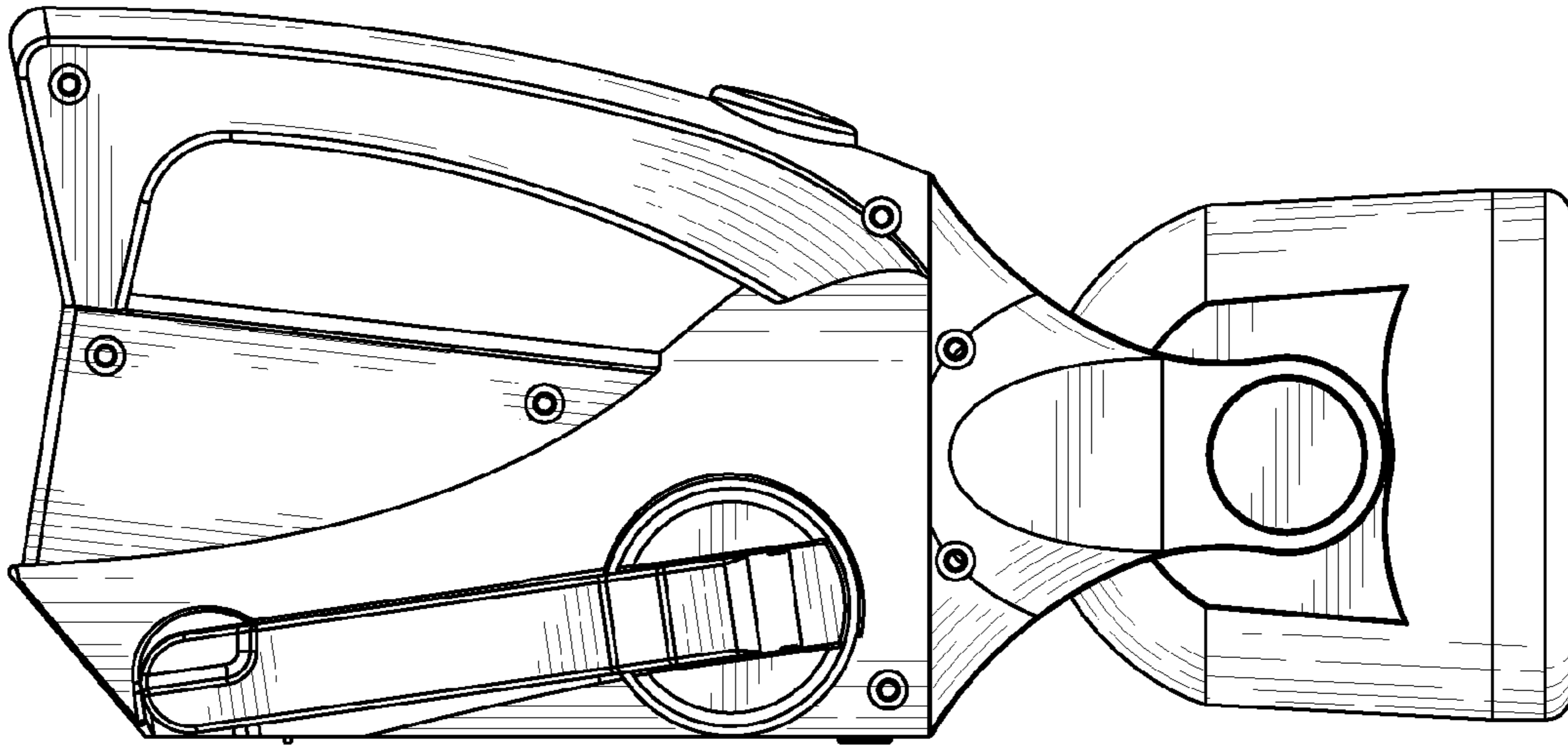


FIG. 3

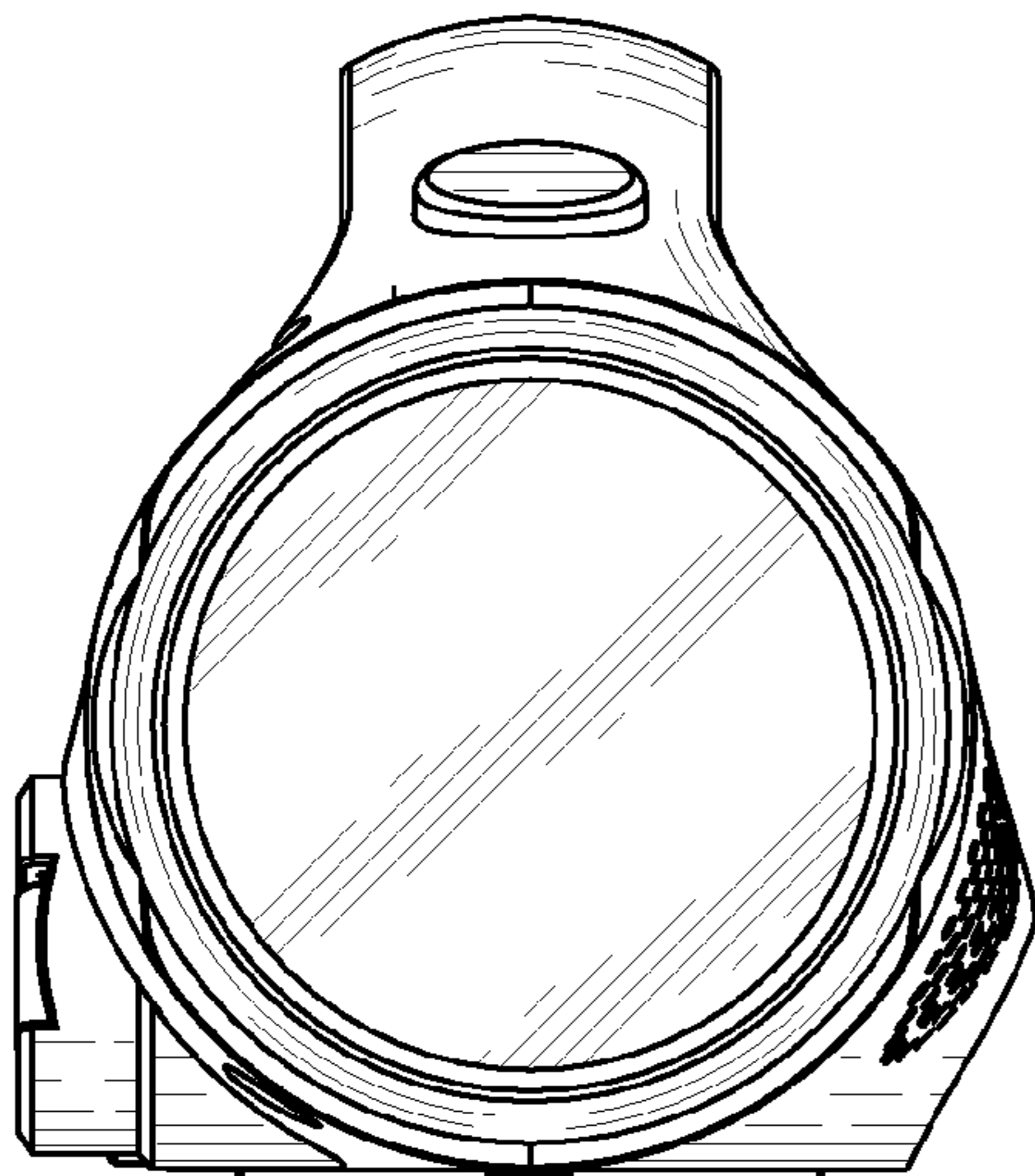


FIG. 4

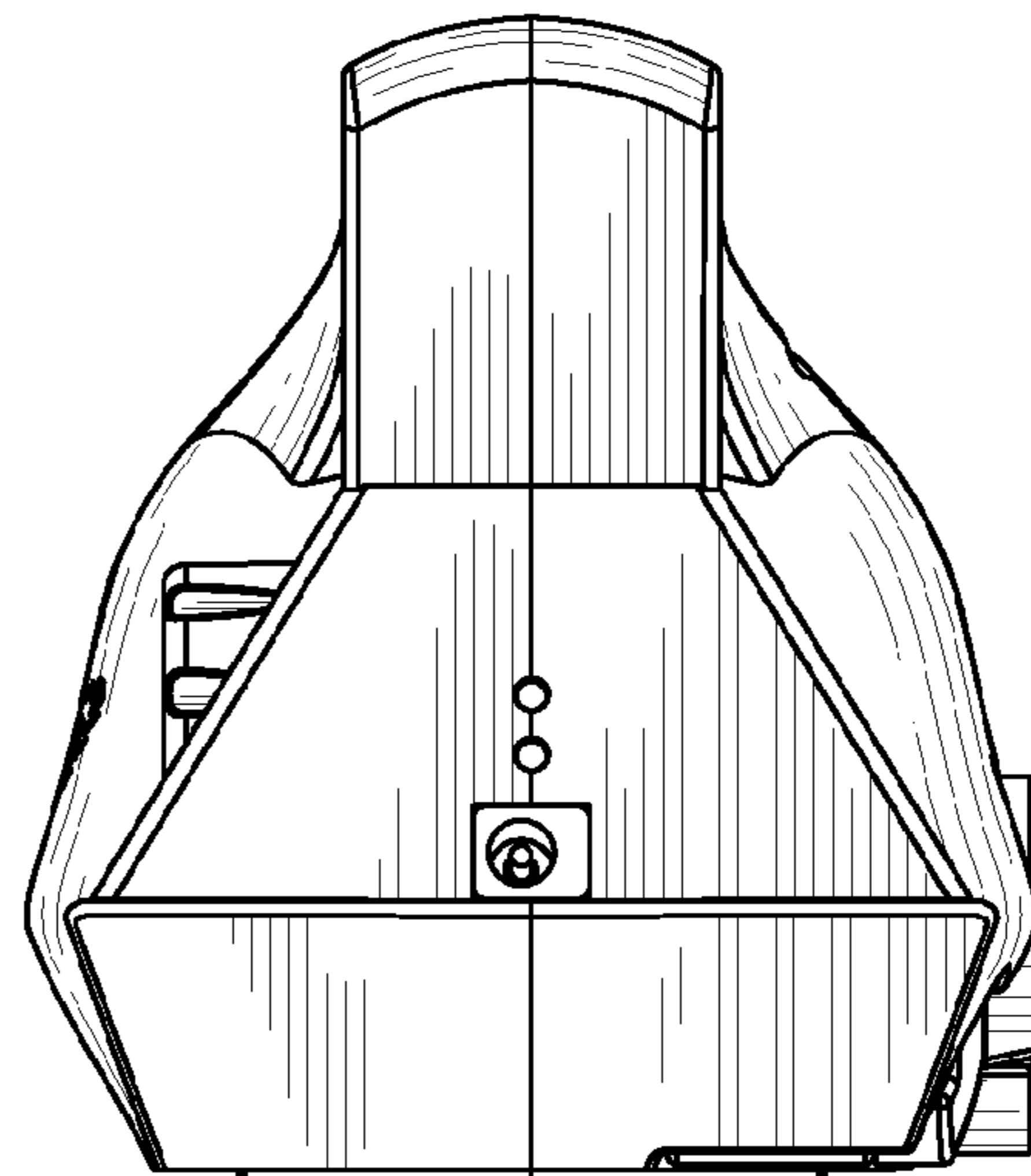


FIG. 5

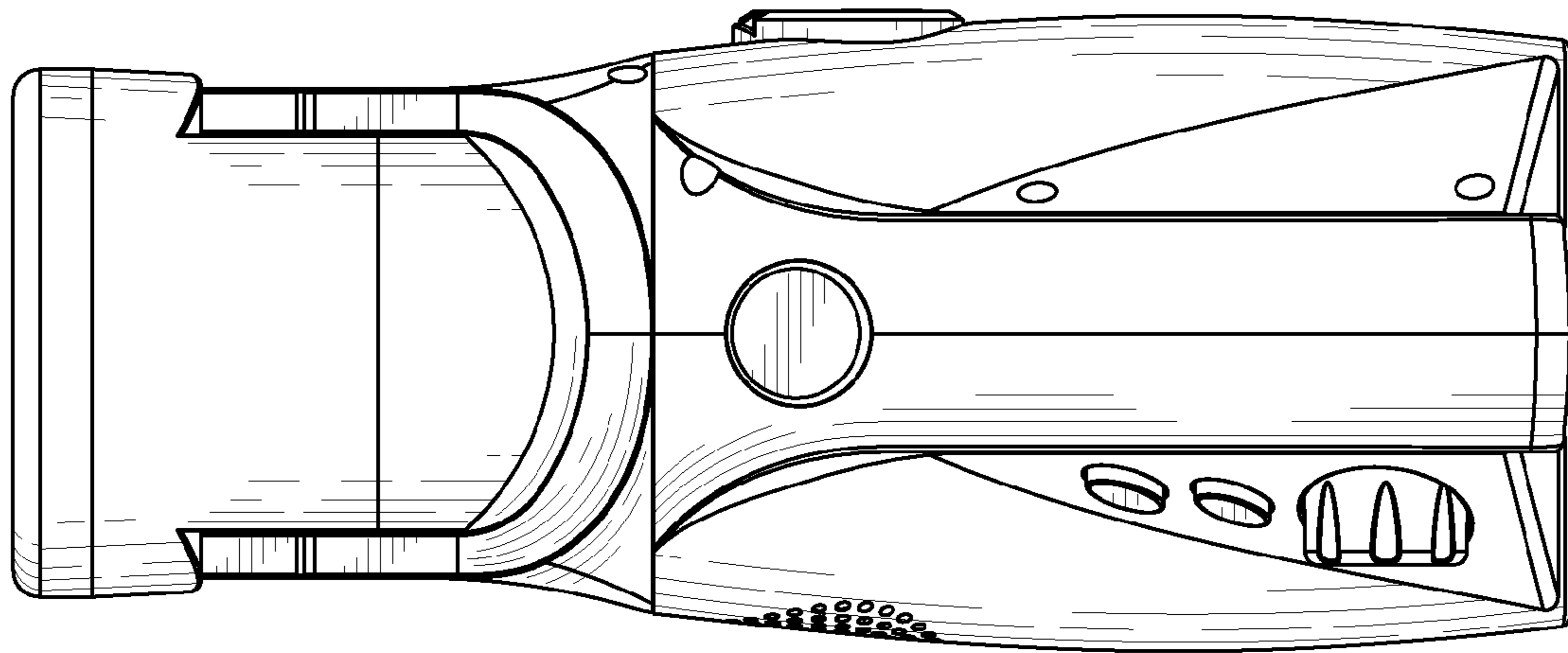


FIG. 6

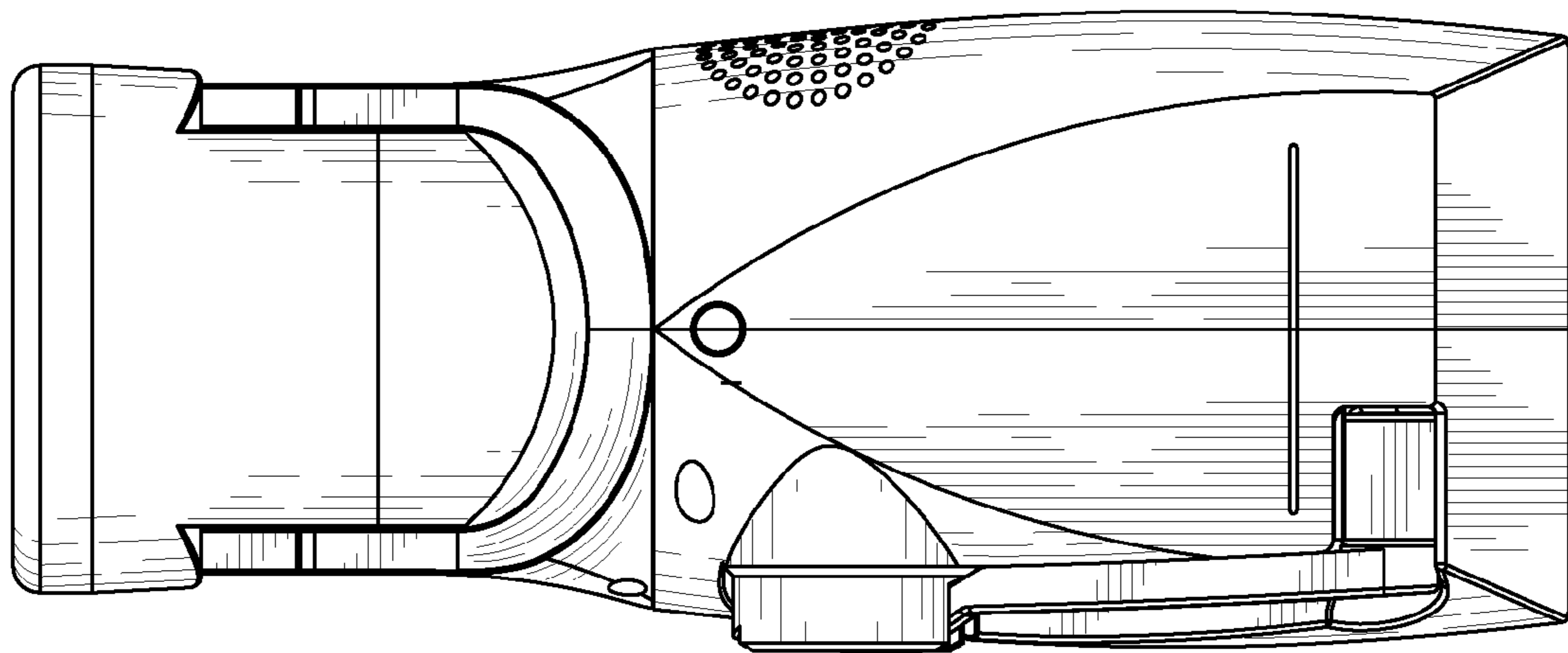


FIG. 7