

US00D575248S

(12) **United States Design Patent**
Fujii et al.

(10) **Patent No.:** **US D575,248 S**

(45) **Date of Patent:** **** Aug. 19, 2008**

(54) **TELEVISION SET**

(75) Inventors: **Yoshito Fujii**, Tochigi-ken (JP); **Hiroshi Gomi**, Tochigi-ken (JP)

(73) Assignee: **Sharp Kabushiki Kaisha**, Osaka (JP)

(**) Term: **14 Years**

(21) Appl. No.: **29/272,942**

(22) Filed: **Feb. 22, 2007**

(30) **Foreign Application Priority Data**

Aug. 25, 2006 (JP) 2006-022462

(51) **LOC (8) Cl.** **14-03**

(52) **U.S. Cl.** **D14/126**

(58) **Field of Classification Search** D14/125-134,
D14/239, 371, 136, 374-377; 312/7.2; 348/836,
348/838, 180, 184, 325, 739; 341/12; 248/917-924,
248/465, 123.11; 345/104, 133, 156, 168,
345/87, 173, 169; 349/1, 2, 11, 62; 720/605,
720/669, 600, 655, 99, 197; 455/344-347;
369/99, 197

See application file for complete search history.

(56) **References Cited**

U.S. PATENT DOCUMENTS

- D337,113 S 7/1993 Saito
- D342,497 S 12/1993 Saito et al.
- D342,501 S 12/1993 Saeki et al.
- D351,155 S 10/1994 Usami et al.
- D351,156 S 10/1994 Usami et al.
- D357,244 S 4/1995 Usami et al.
- D357,245 S 4/1995 Usami et al.
- D357,472 S 4/1995 Usami et al.
- D369,596 S 5/1996 Akiyama et al.
- D372,026 S 7/1996 Akiyama et al.
- D373,583 S 9/1996 Akiyama et al.
- D427,169 S 6/2000 Saeki et al.
- D429,227 S 8/2000 Shimizu
- D431,537 S 10/2000 Saeki et al.
- D438,848 S 3/2001 Kita

- D439,224 S 3/2001 Kita
- D439,225 S 3/2001 Kita
- D453,747 S 2/2002 Kita
- D453,748 S 2/2002 Kita
- D456,370 S 4/2002 Kita
- D458,910 S 6/2002 Kita
- D492,269 S 6/2004 Kita
- D496,915 S 10/2004 Kita
- D497,351 S 10/2004 Kita
- D497,599 S 10/2004 Kita
- D498,214 S * 11/2004 Ahn et al. D14/126

(Continued)

OTHER PUBLICATIONS

Kita, entitled, "Television Set," U.S. Appl. No. 29/232,620, filed Jun. 22, 2005, pending.

(Continued)

Primary Examiner—Raphael Barkai
Assistant Examiner—Randall H Gholson
(74) *Attorney, Agent, or Firm*—Nixon & Vanderhye, PC

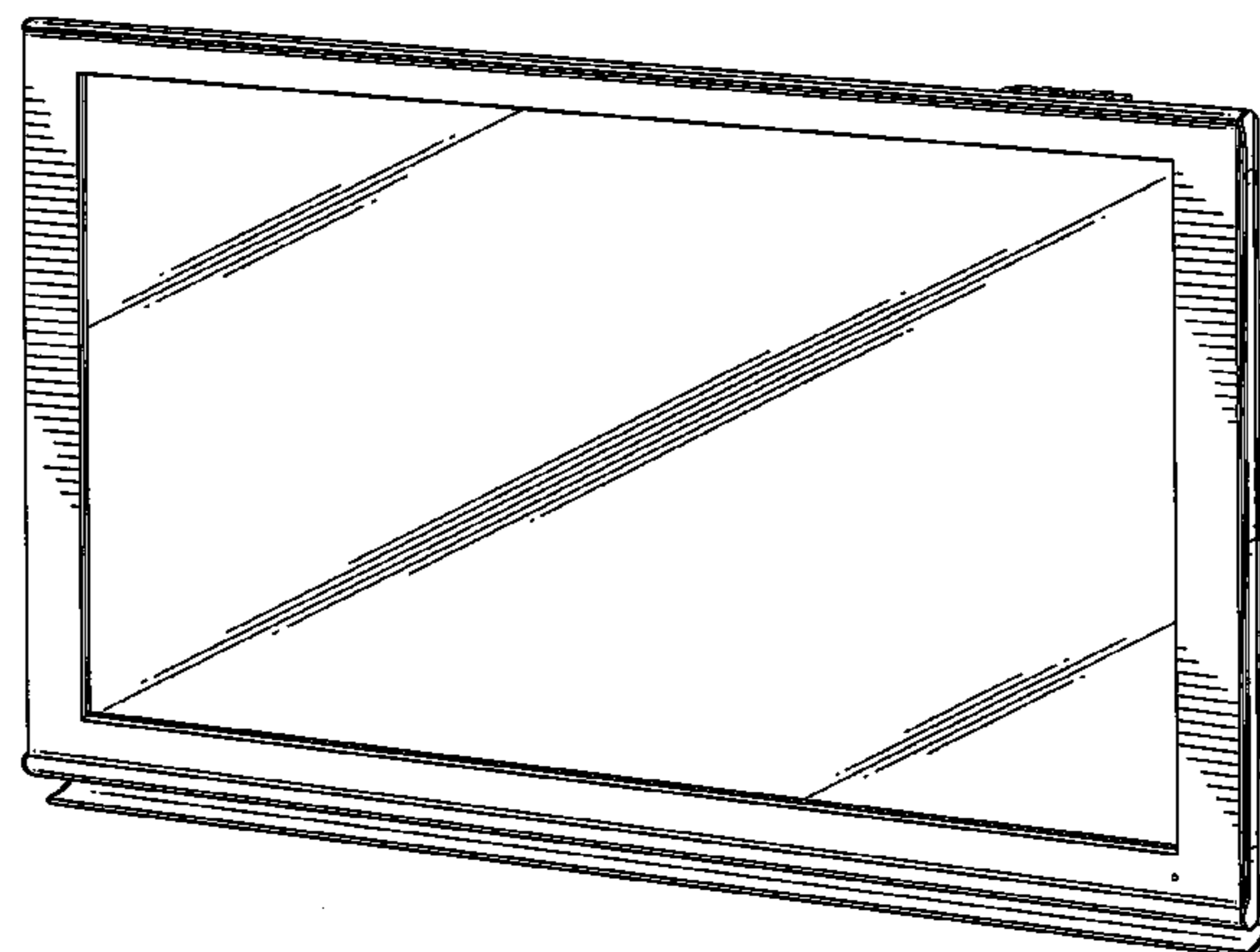
(57) **CLAIM**

The ornamental design for an "television set," as shown and described.

DESCRIPTION

FIG. 1 is a perspective view of a television set in accordance with my new design;
FIG. 2 is a front elevation view thereof;
FIG. 3 is a rear elevation view thereof;
FIG. 4 is a top plan view thereof;
FIG. 5 is a bottom plan view thereof;
FIG. 6 is a right side elevational view thereof;
FIG. 7 is a left side elevational view thereof; and,
FIG. 8 is a second perspective view thereof with the television set mounted on a floor stand shown in phantom.
The floor stand shown in dotted lines in FIG. 8 is for illustrative purposes only and forms no part of the claimed invention.

1 Claim, 4 Drawing Sheets



U.S. PATENT DOCUMENTS

D499,076	S	11/2004	Kita	
D501,186	S	1/2005	Kita	
D501,654	S	2/2005	Kita	
D502,451	S	3/2005	Kita	
D502,931	S	3/2005	Kita	
D505,123	S	5/2005	Kita	
D510,731	S	10/2005	Kita	
D512,385	S	12/2005	Kita	
D512,386	S	12/2005	Kita	
D512,387	S	12/2005	Kita	
D531,591	S	* 11/2006	Takatsuki et al. D14/126
D531,592	S	* 11/2006	Yamamoto et al. D14/126
D533,848	S	* 12/2006	Lee et al. D14/126
D536,313	S	* 2/2007	Chen et al. D14/126
D536,678	S	2/2007	Kita	
D538,242	S	3/2007	Kita	
D538,762	S	3/2007	Fuji et al.	
D538,763	S	3/2007	Fuji et al.	
D539,766	S	4/2007	Kita	
D540,281	S	4/2007	Kita	
D540,282	S	4/2007	Kita	
D540,284	S	4/2007	Kita	
D540,285	S	4/2007	Kita	
D541,240	S	4/2007	Kita	
D541,772	S	5/2007	Kita	
D541,774	S	5/2007	Kita	
D541,775	S	5/2007	Kita	
D543,163	S	* 5/2007	Yang et al. D14/126
D543,519	S	5/2007	Kita	
D549,672	S	* 8/2007	Zuo et al. D14/126
D551,186	S	* 9/2007	Yang et al. D14/126
D556,160	S	* 11/2007	Lee et al. D14/126

OTHER PUBLICATIONS

Totsuka, entitled, "Television Set," U.S. Appl. No. 29/245,754, filed Dec. 29, 2005, pending.
 Kita, entitled, "Television Set," U.S. Appl. No. 29/243,348, filed Nov. 23, 2005, pending.
 Kita, entitled, "Television Set," U.S. Appl. No. 29/243,704, filed Nov. 30, 2005, pending.
 Kita, entitled, "Television Set," U.S. Appl. No. 29/243,707, filed Nov. 30, 2005, pending.
 Kita, entitled, "Externally Exposed Surfaces of a Speaker for a Television Set," U.S. Appl. No. 29/243,705, filed Nov. 30, 2005, pending.
 Kita, entitled, "Television Set," U.S. Appl. No. 29/261,811, filed Jun. 21, 2006, pending.
 Kita, entitled, "Television Set," U.S. Appl. No. 29/261,807, filed Jun. 21, 2006, pending.

Kita, entitled, "Television Set," U.S. Appl. No. 29/261,813, filed Jun. 21, 2006, pending.
 Kita, entitled, "Television Set," U.S. Appl. No. 29/260,910, filed Jun. 21, 2006, pending.
 Kita, entitled, "Television Set," U.S. Appl. No. 29/261,815, filed Jun. 21, 2006, pending.
 Kita, entitled, "Television Set," U.S. Appl. No. 29/261,810, filed Jun. 21, 2006, pending.
 Kita, entitled, "Television Set," U.S. Appl. No. 29/261,805, filed Jun. 21, 2006, pending.
 Kita, entitled, "Television Set," U.S. Appl. No. 29/261,804, filed Jun. 21, 2006, pending.
 Kita, entitled, "Television Set," U.S. Appl. No. 29/261,803, filed Jun. 21, 2006, pending.
 Kita, entitled, "Television Set," U.S. Appl. No. 29/261,801, filed Jun. 21, 2006, pending.
 Inuma et al., entitled, "Television Set," U.S. Appl. No. 29/261,809, filed Jun. 21, 2006, pending.
 Inuma et al., entitled, "Television Set," U.S. Appl. No. 29/261,806, filed Jun. 21, 2006, pending.
 Fujii et al., entitled, "Television Set," U.S. Appl. No. 29/261,811, filed Jun. 21, 2006, pending.
 Fujii et al., entitled, "Television Set," U.S. Appl. No. 29/261,807, filed Jun. 21, 2006, pending.
 Fujii et al., entitled, "Television Set," U.S. Appl. No. 29/261,813, filed Jun. 21, 2006, pending.
 Fujii et al., entitled, "Television Set," U.S. Appl. No. 29/260,910, filed Jun. 21, 2006, pending.
 Fujii et al., entitled, "Television Set," U.S. Appl. No. 29/266,495, filed Sep. 22, 2006, pending.
 Fujii et al., entitled, "Television Set," U.S. Appl. No. 29/261,802, filed Jun. 21, 2006, pending.
 Kita, entitled, "Television Set," U.S. Appl. No. 29/271,041, filed Jan. 9, 2007, pending.
 Kita., entitled, "Television Set," U.S. Appl. No. 29/271,043, filed Jan. 9, 2007, pending.
 Kita., entitled, "Television Set," U.S. Appl. No. 29/271,155, filed Jan. 11, 2007, pending.
 Kita., entitled, "Television Set," U.S. Appl. No. 29/271,156, filed Jan. 11, 2007, pending.
 Kita., entitled, "Television Set," U.S. Appl. No. 29/271,042, filed Jan. 9, 2007, pending.
 Fujii et al., entitled, "Television Set," U.S. Appl. No. 29/272,938, filed Feb. 22, 2007, pending.
 Kita., entitled, "Television Set," U.S. Appl. No. 29/272,941, filed Feb. 22, 2007, pending.
 Shimamoto., entitled, "Television Set," U.S. Appl. No. 29/272,940, filed Feb. 22, 2007, pending.
 Kita., entitled, "Television Set," U.S. Appl. No. 29/272,939, filed Feb. 22, 2007, pending.

* cited by examiner

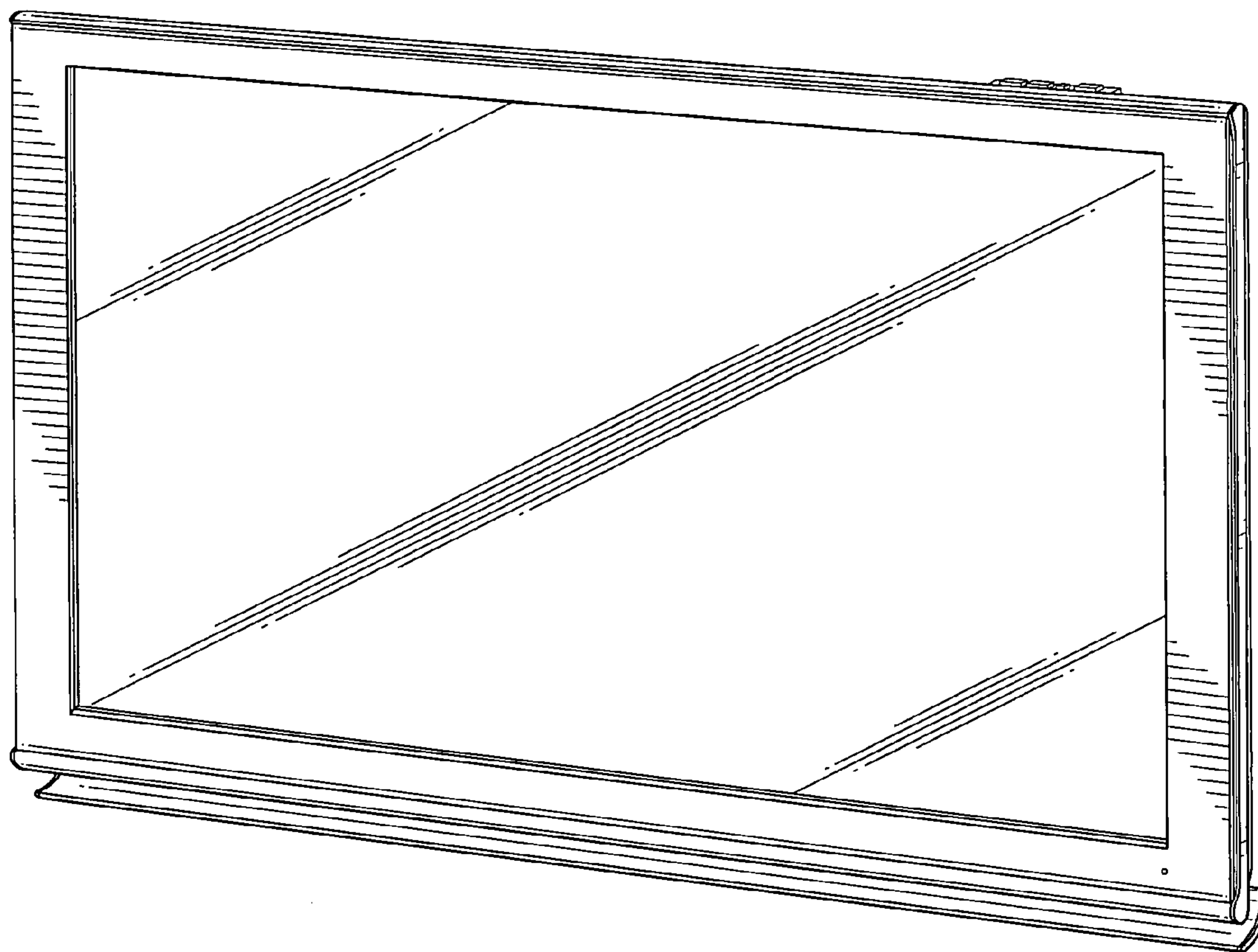


Fig. 1

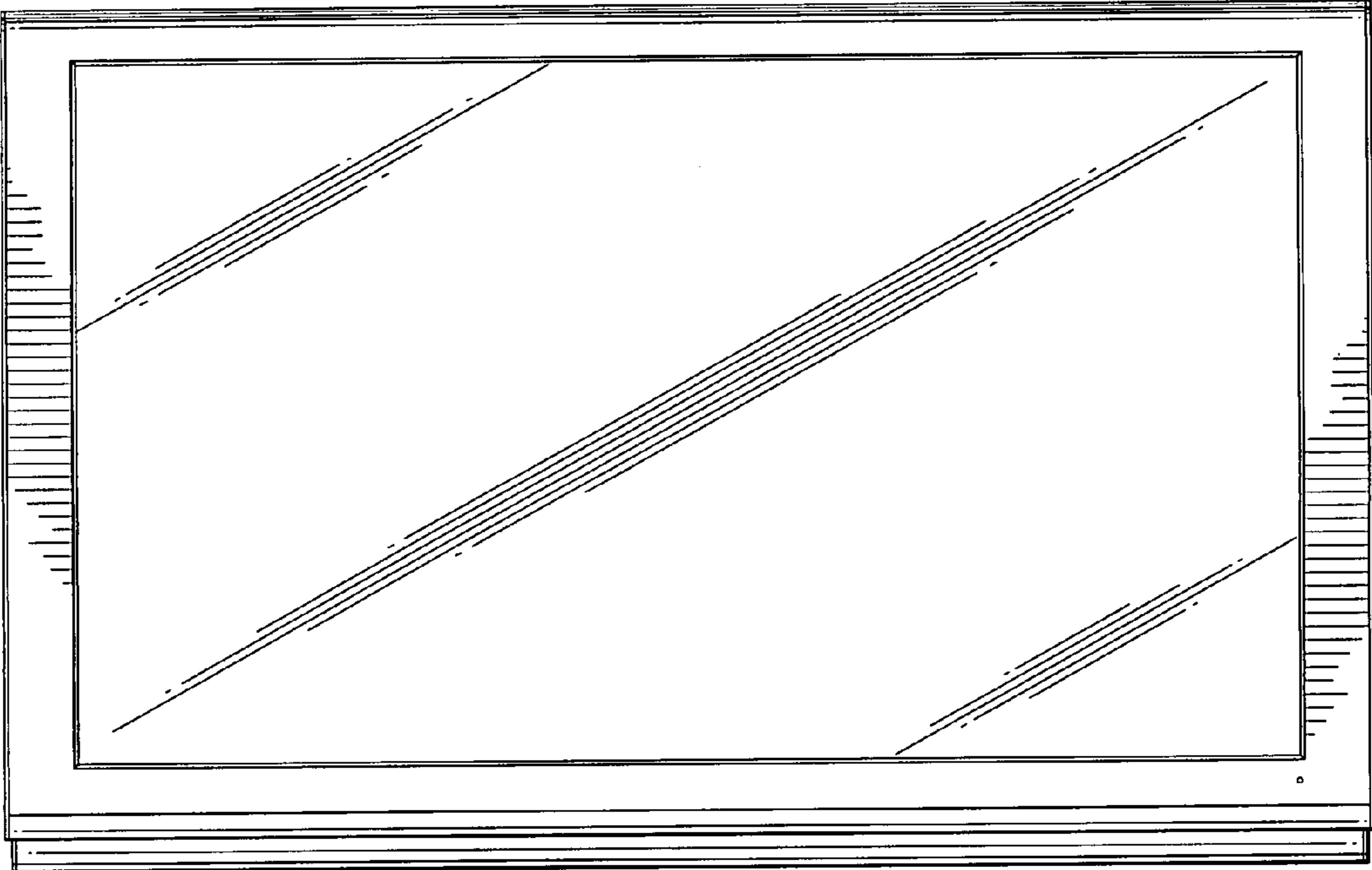


Fig. 2

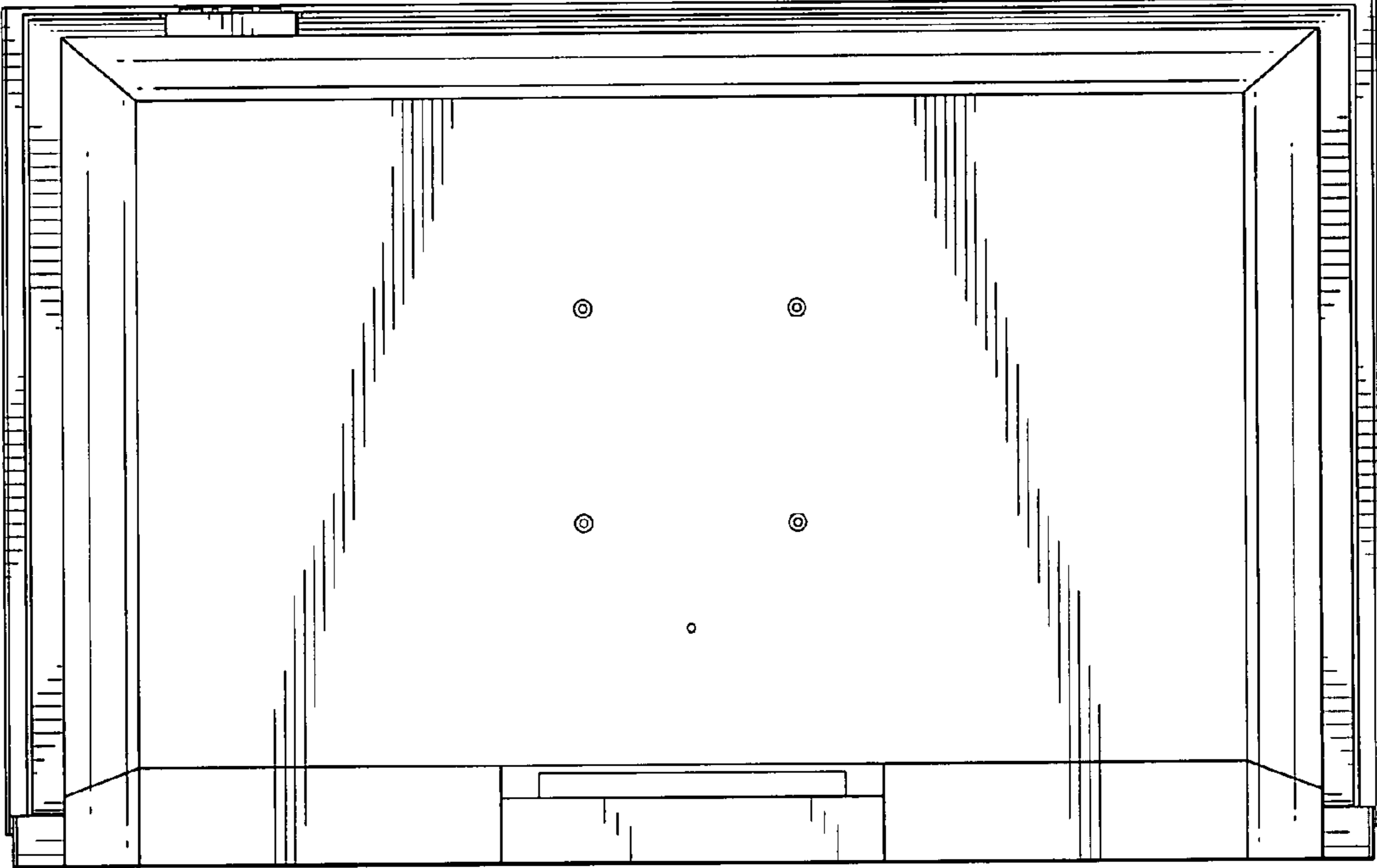


Fig. 3

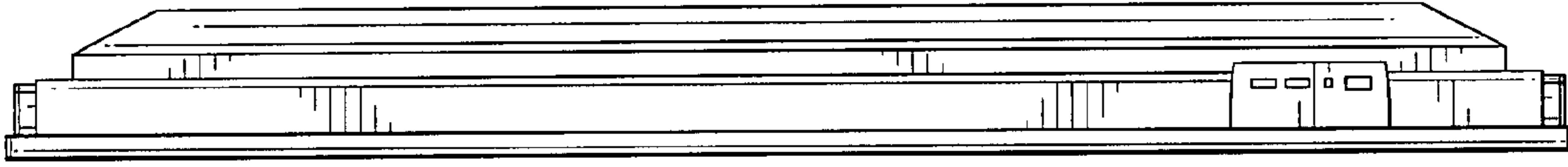


Fig. 4

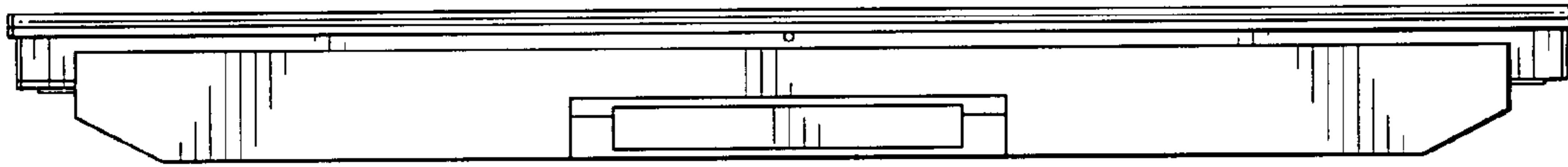


Fig. 5

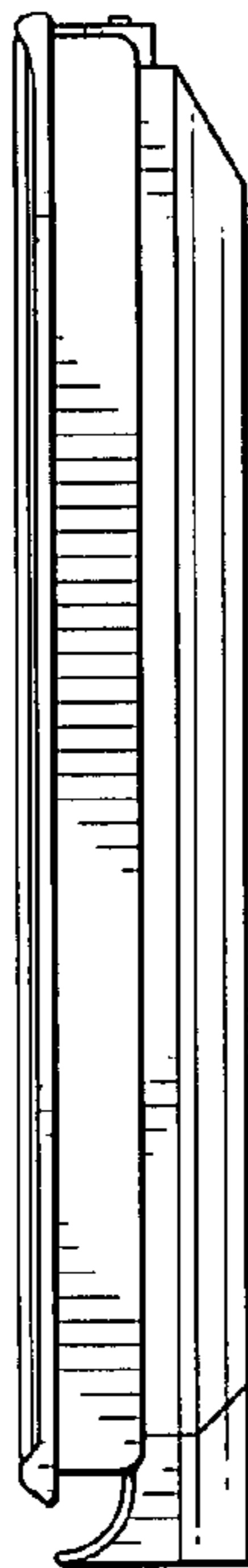


Fig. 6

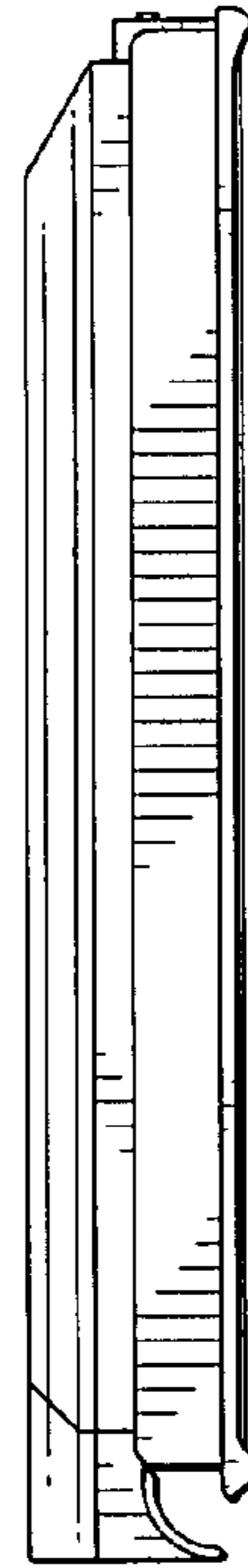


Fig. 7

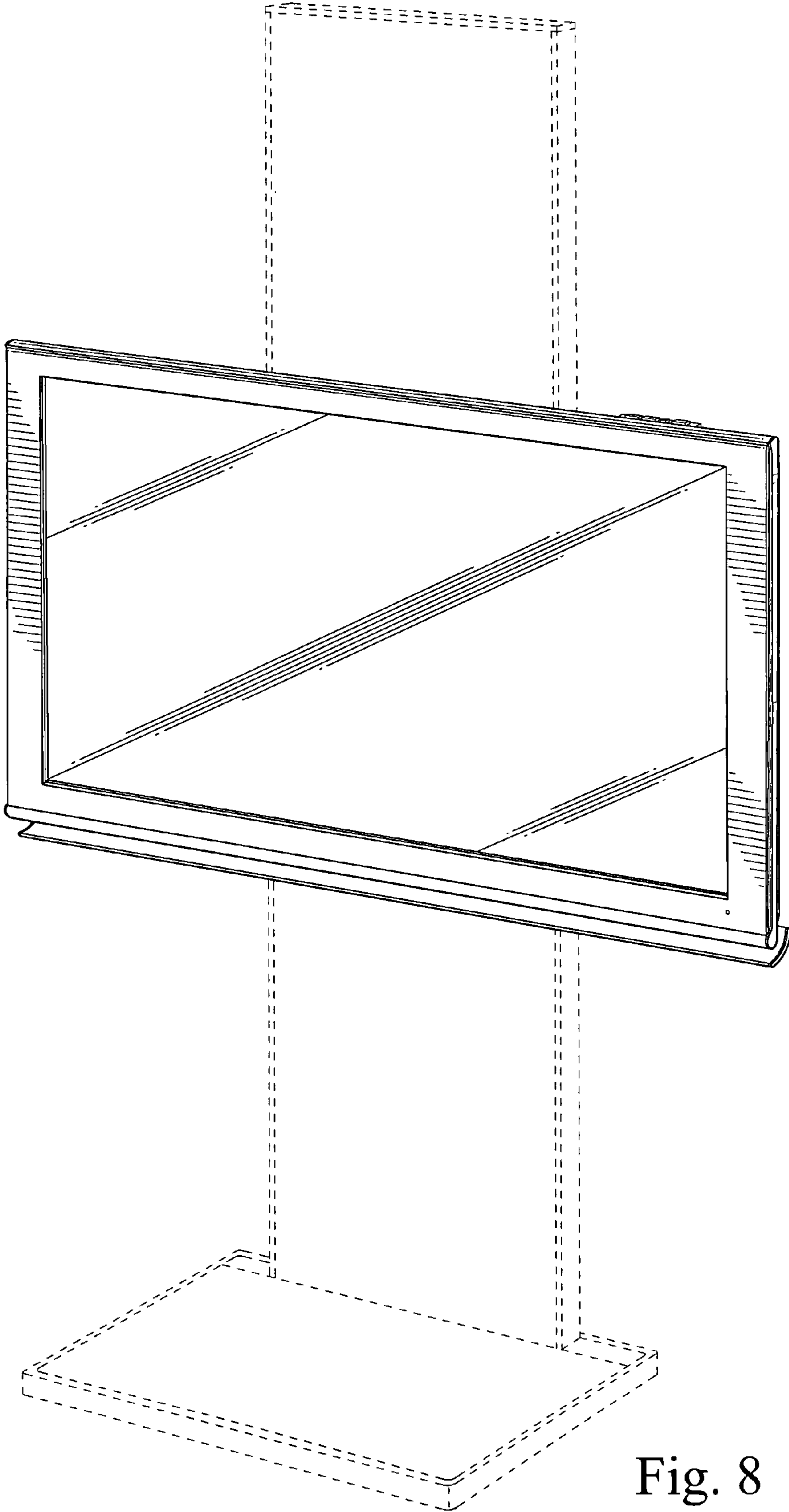


Fig. 8