



US00D575246S

(12) **United States Design Patent**
Fuwa et al.

(10) **Patent No.:** **US D575,246 S**
(45) **Date of Patent:** **** Aug. 19, 2008**

(54) **LIGHT-EMITTING DIODE UNIT FOR ILLUMINATING AN OBJECT**

(75) Inventors: **Takeshi Fuwa**, Hino (JP); **Sadato Imai**, Hachiouji (JP)

(73) Assignee: **Citizen Electronics Co., Ltd.**, Yamanashi (JP)

(**) Term: **14 Years**

(21) Appl. No.: **29/280,041**

(22) Filed: **May 15, 2007**

(30) **Foreign Application Priority Data**

Nov. 15, 2006 (JP) 2006-031359
Nov. 15, 2006 (JP) 2006-031360

(51) **LOC (8) Cl.** **13-03**

(52) **U.S. Cl.** **D13/180**

(58) **Field of Classification Search** D13/180;
D26/2; 257/79, 80, 81, 88, 89, 95, 98, 99,
257/100; 313/483, 498, 500; 362/555, 800
See application file for complete search history.

(56) **References Cited**

U.S. PATENT DOCUMENTS

6,188,527 B1 * 2/2001 Bohn 359/710
6,501,084 B1 * 12/2002 Sakai et al. 250/504 R
D505,663 S * 5/2005 Moriyama et al. D13/180

7,021,792 B2 * 4/2006 Lin 362/252
D531,139 S * 10/2006 Egawa et al. D13/180
7,152,999 B2 * 12/2006 Lin 362/252
D550,379 S * 9/2007 Hoshikawa et al. D26/25
2005/0062059 A1 * 3/2005 Huang 257/100
2006/0255359 A1 * 11/2006 Sun et al. 257/100

* cited by examiner

Primary Examiner—Selina Sikder

(74) *Attorney, Agent, or Firm*—Browdy and Neimark

(57) **CLAIM**

The ornamental design for a light-emitting diode unit for illuminating an object, as shown.

DESCRIPTION

FIG. 1 is a perspective view of a light-emitting diode unit for illuminating an object in accordance with the present design, as viewed from above;

FIG. 2 is a perspective view thereof, as viewed from below;

FIG. 3 is a front elevational view thereof;

FIG. 4 is a right side elevational view thereof;

FIG. 5 is a top plan view thereof; and,

FIG. 6 is a bottom plan view thereof.

A rear elevational view would be identical to the front elevational view of FIG. 3 and a left side elevational view would be identical to the right side elevational view of FIG. 4.

1 Claim, 4 Drawing Sheets

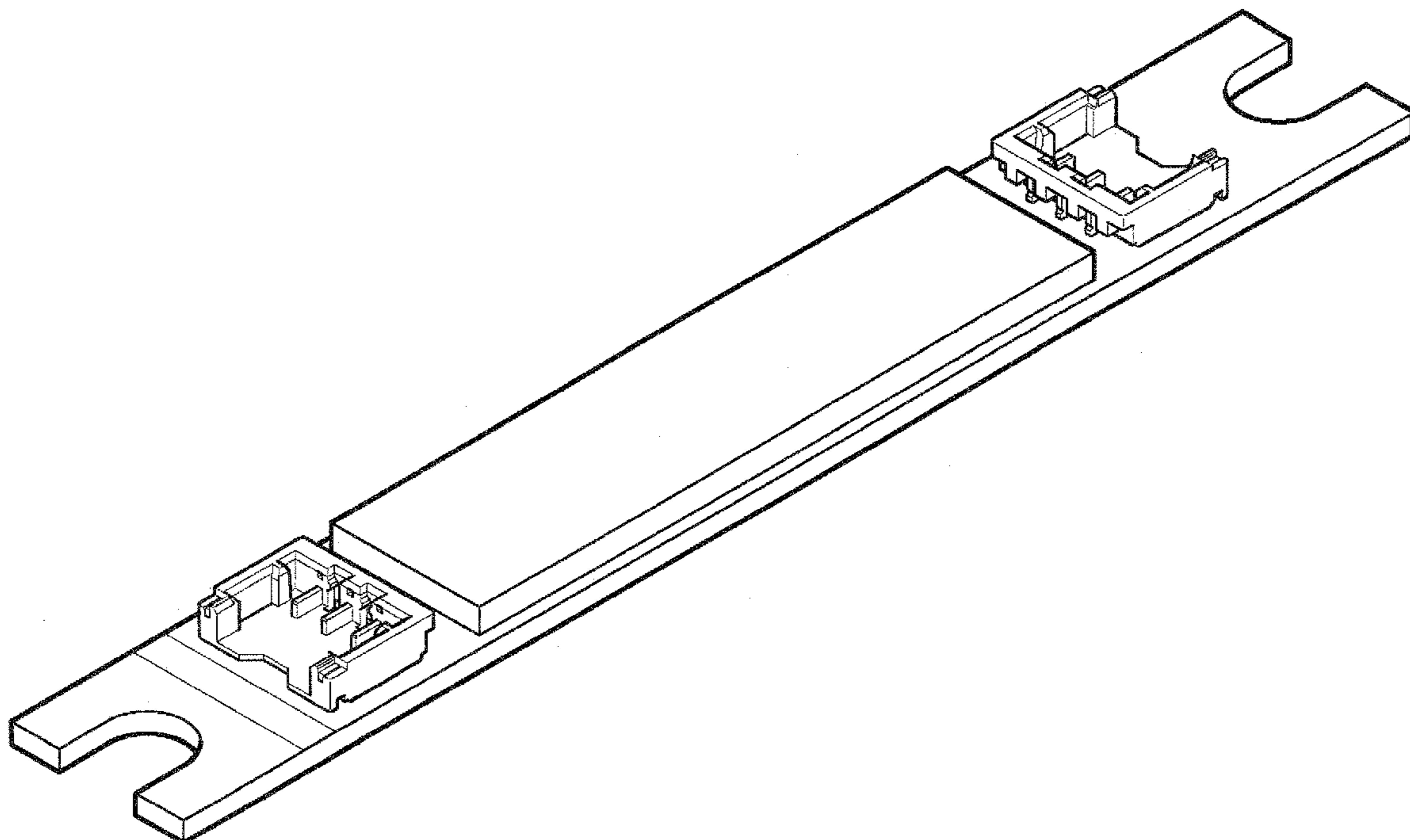


Fig. 1

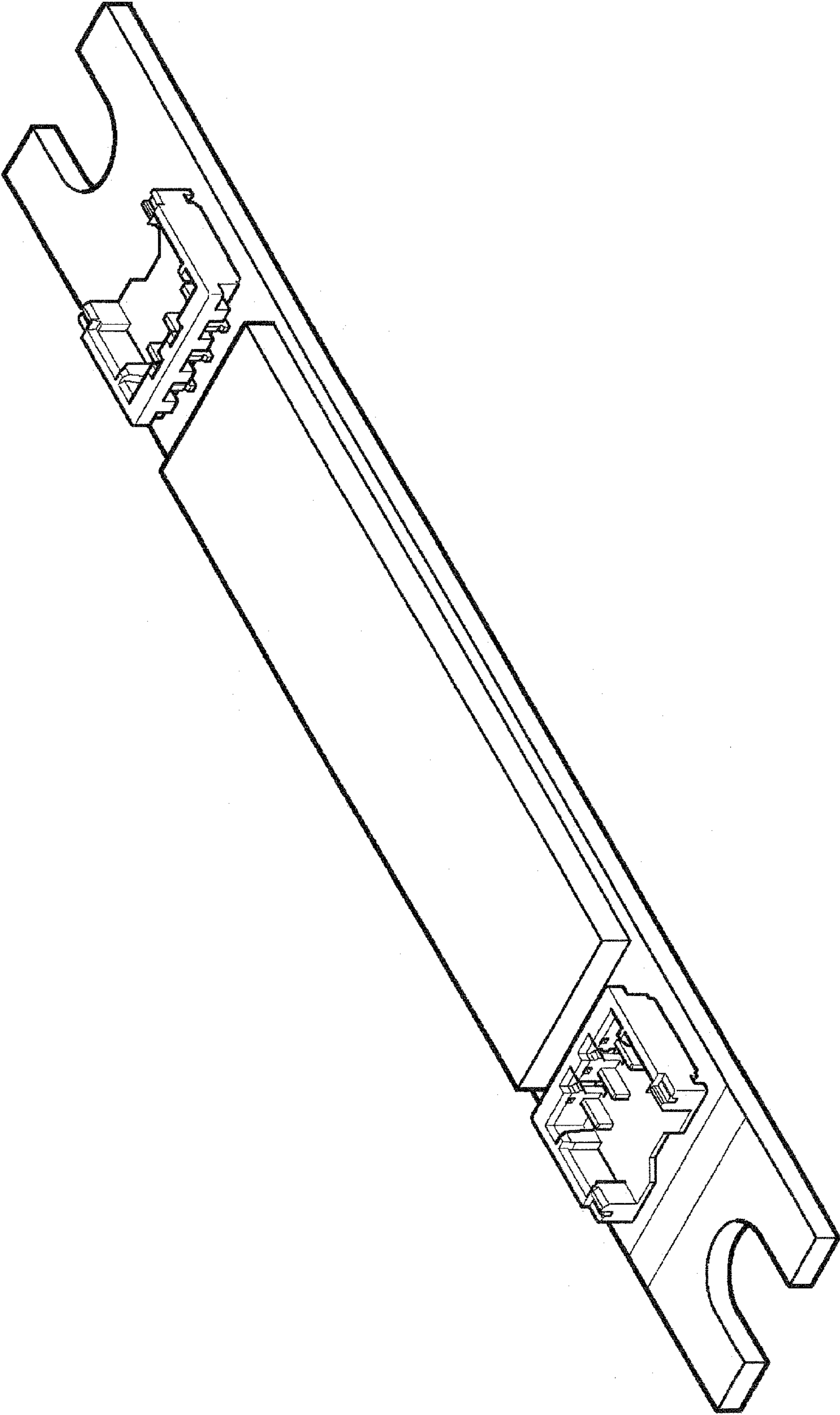


Fig. 2

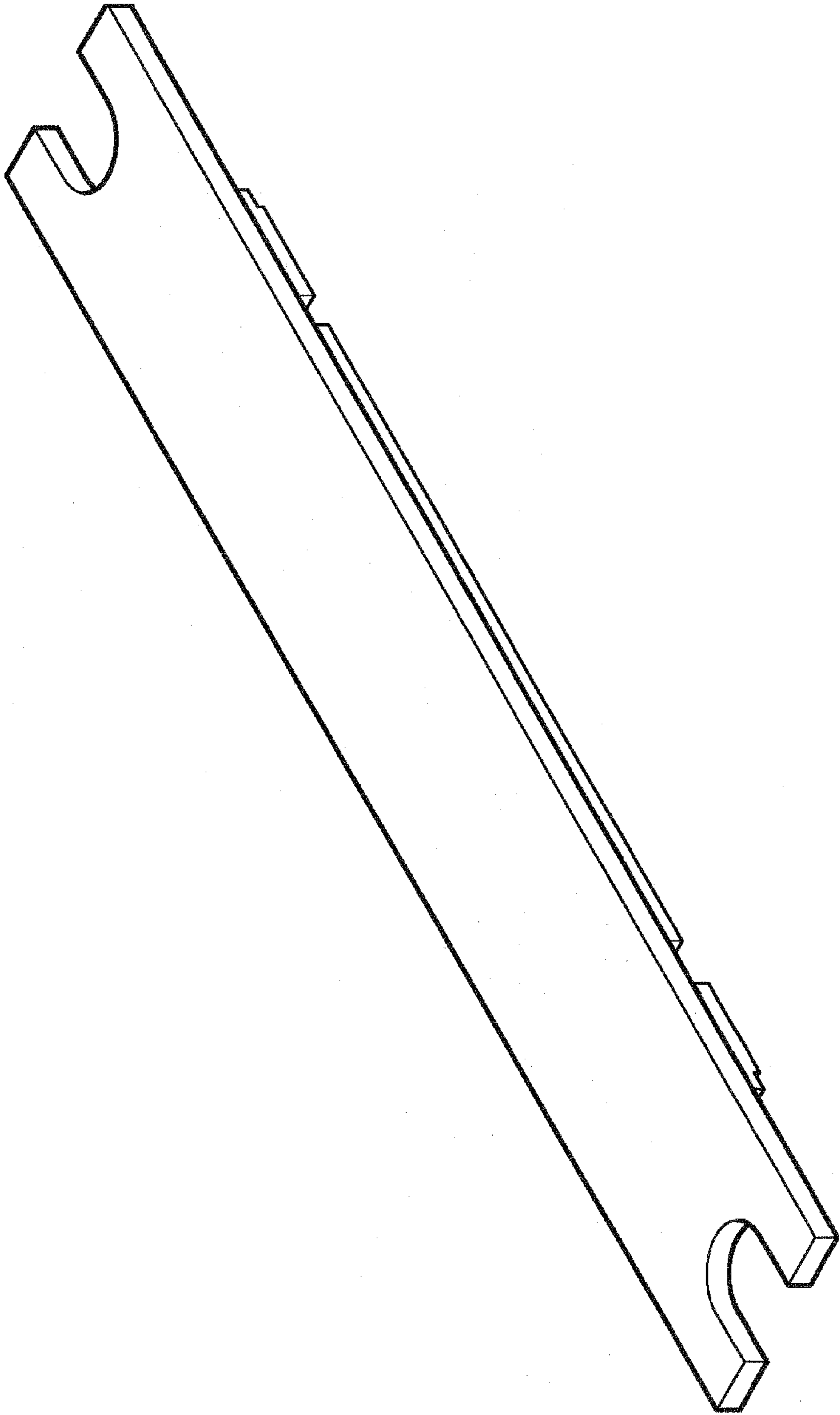


Fig. 3

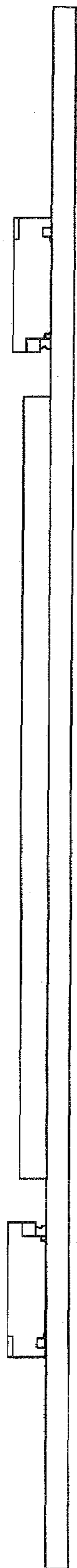


Fig. 4

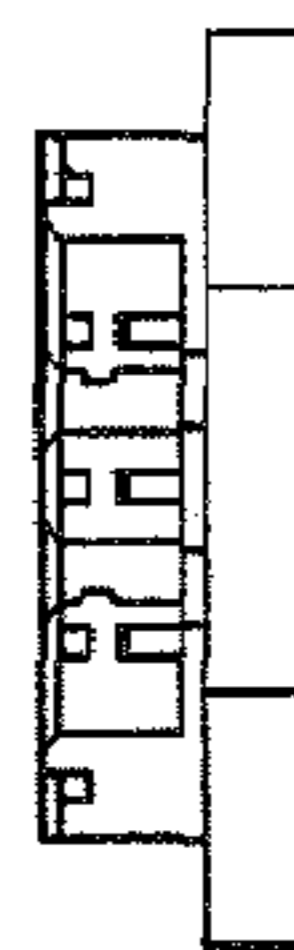


Fig. 5

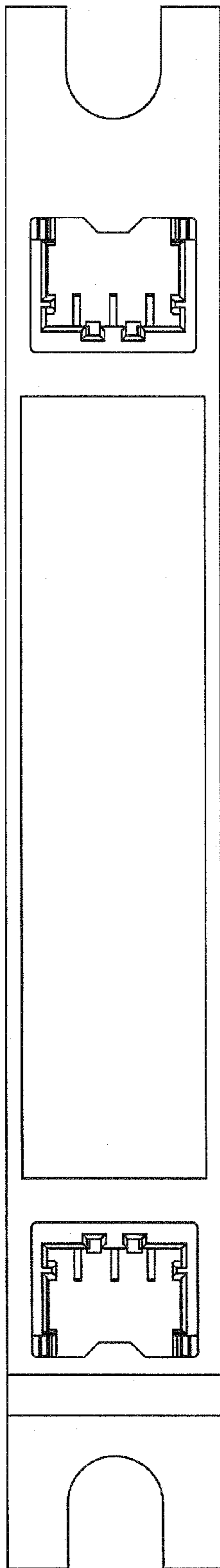


Fig. 6

